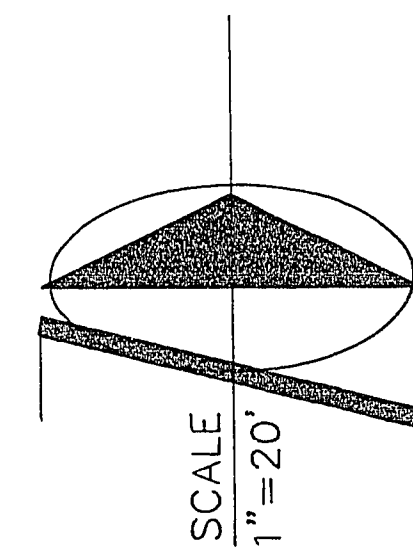
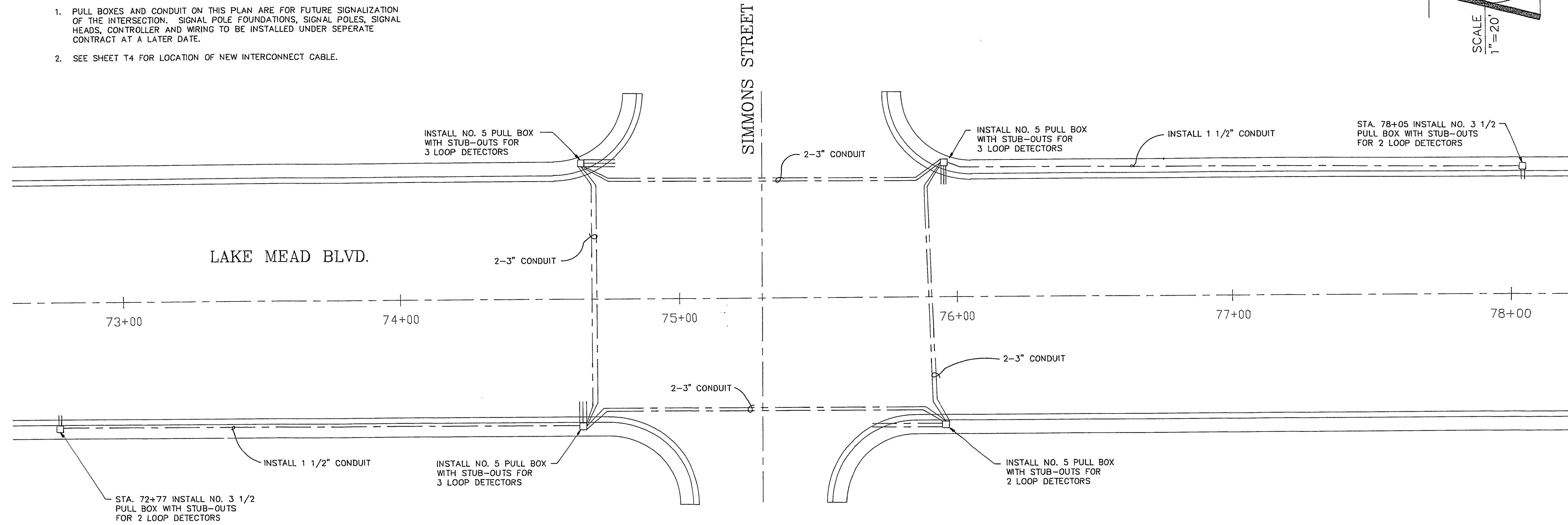


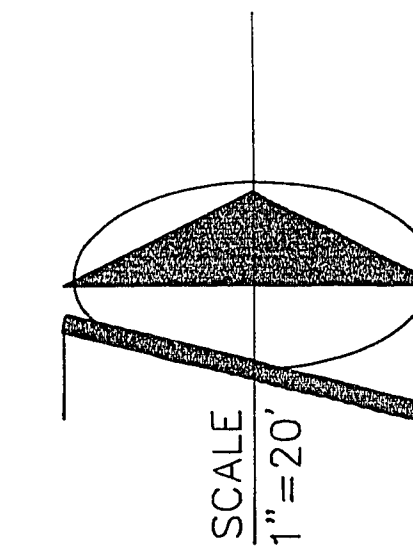
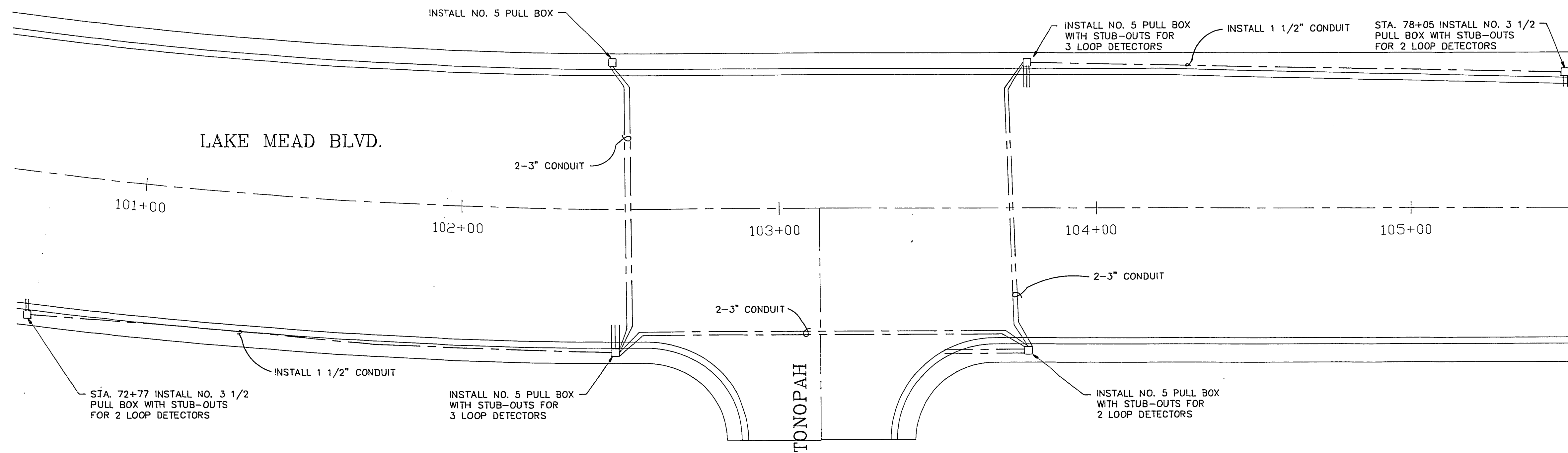
LAKE MEAD BLVD. @ SIMMONS ST. NOTES

1. PULL BOXES AND CONDUIT ON THIS PLAN ARE FOR FUTURE SIGNALIZATION OF THE INTERSECTION. SIGNAL POLE FOUNDATIONS, SIGNAL POLES, SIGNAL HEADS, CONTROLLER AND WIRING TO BE INSTALLED UNDER SEPERATE CONTRACT AT A LATER DATE.
2. SEE SHEET T4 FOR LOCATION OF NEW INTERCONNECT CABLE.



LAKE MEAD BLVD. @ TONOPAH NOTES

1. PULL BOXES AND CONDUIT ON THIS PLAN ARE FOR FUTURE SIGNALIZATION OF THE INTERSECTION. SIGNAL POLE FOUNDATIONS, SIGNAL POLES, SIGNAL HEADS, CONTROLLER AND WIRING TO BE INSTALLED UNDER SEPERATE CONTRACT AT A LATER DATE.
2. SEE SHEET T4 FOR LOCATION OF NEW INTERCONNECT CABLE.



REVISION	BY	DATE

CITY OF LAS VEGAS
LAS VEGAS, NEVADA

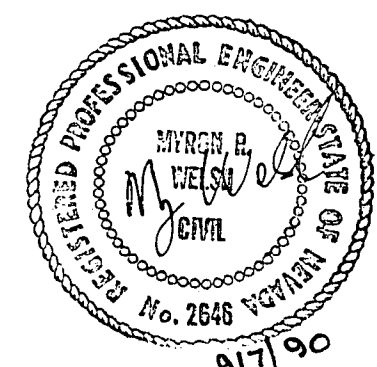
VTM nevada

CONSULTING ENGINEERS - PLANNERS
2300 PASEO DEL PRADO BUILDING A SUITE 100
LAS VEGAS, NEVADA 89102 PHONE (702) 873-7550

TITLE
**UNDERGROUND SIGNAL CONDUIT PLANS
LAKE MEAD BLVD. AT SIMMONS STREET
LAKE MEAD BLVD. AT TONOPAH**

PROJECT
**LAKE MEAD BOULEVARD
RANCHO DRIVE TO TONOPAH**

NO. 19148542
NO. NO. 3661
BY T.M.M.
DATE 9/10/90
SCALE 1" = 20'



SHEET
T8
OF 34 SHEETS