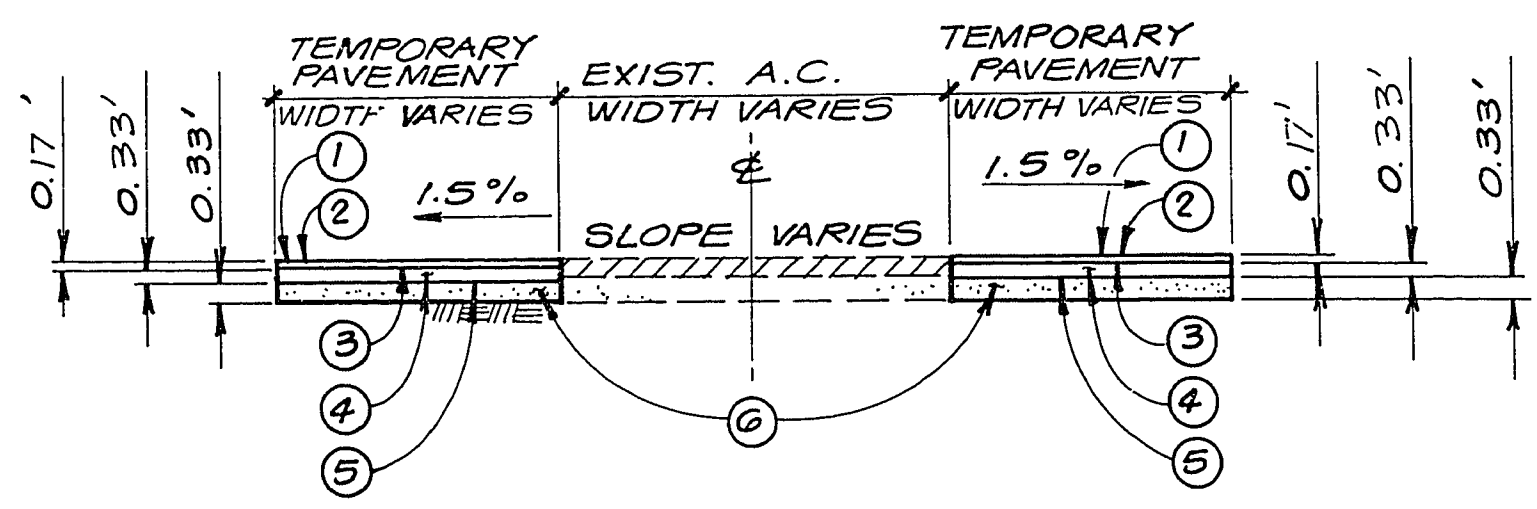


**SECTION G**  
1" = 2"

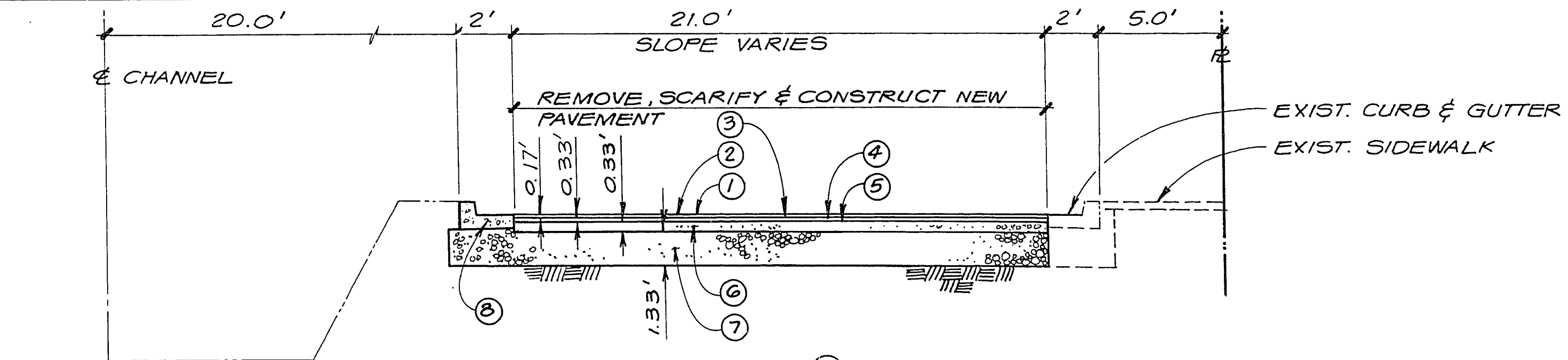


**SECTION D**  
NO SCALE  
(TEMPORARY PAVEMENT)

**NOTE:**  
1. SEE (A) FOR CONSTRUCTION ITEM DESCRIPTION.  
2. MATCH ELEVATION @ EDGE OF EXISTING A.C. PAVEMENT

**TEMPORARY PAVEMENT:**  
STATIONS NORTH SIDE OF BRIDGE:  
WEST LANE: STA. 20+71.39 TO APPROX. STA. 22+70.00  
EAST LANE: STA. 20+82.17 TO APPROX. STA. 24+02.00

STATIONS SOUTH SIDE OF BRIDGE:  
WEST LANE: APPROX. STA. 17+30.00 TO STA. 19+24.68  
EAST LANE: NO CONSTRUCTION REQ'D.



**SECTION A**  
NO SCALE

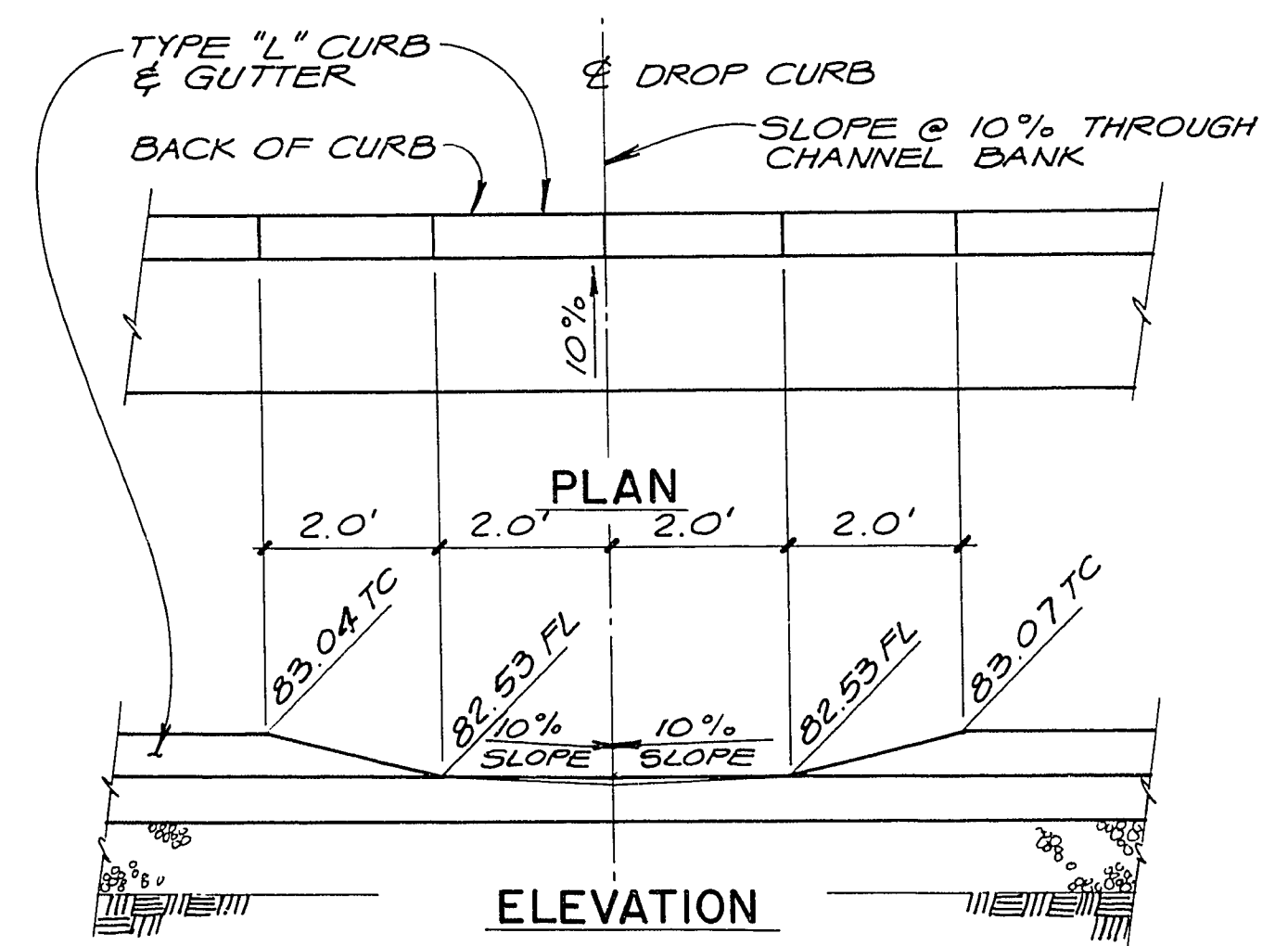
**CONSTRUCTION ITEMS**

- 1 ITEM 407 FOG SEAL 0.15 GAL./SY
- 2 ITEM 402 ASPHALTIC CONCRETE, TYPE 3
- 3 ITEM 405 TACK COAT 0.15 GAL./SY
- 4 ITEM 402 ASPHALTIC CONCRETE, TYPE 2 (2 LIFTS)
- 5 ITEM 406 PRIME COAT, MC 70, 0.30 GAL./SY
- 6 ITEM 302 TYPE II GRAVEL BASE
- 7 ITEM 302 TYPE I GRAVEL BASE
- 8 ITEM 613 CONCRETE CURB & GUTTER, TYPE "L"
- 9 ITEM 613 SIDEWALK STANDARD DRAWING D18

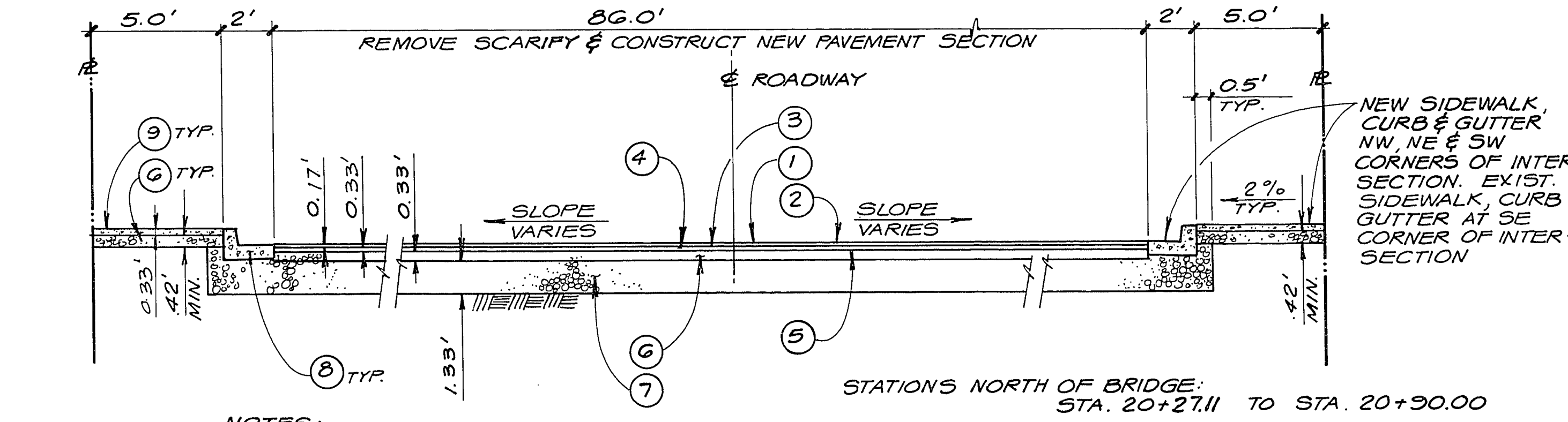
**STATIONS WEST SIDE OF BRIDGE:**  
NORTH OF CHANNEL: STATION 8+70.00 TO STATION 9+50.73  
SOUTH OF CHANNEL: STATION 8+70.00 TO STATION 9+50.73

**STATIONS EAST OF BRIDGE:**  
NORTH OF CHANNEL: STATION 10+52.75 TO STATION 10+82.18  
SOUTH OF CHANNEL: STATION 10+52.75 TO STATION 11+33.00

**NOTES:**  
1. TYPE II AND TYPE I GRAVEL BASE SHALL BE COMPACTED TO AT LEAST 95% OF ASTM D1557 AT NEAR OPTIMUM MOISTURE CONTENT.  
2. NEW ASPHALT PAVEMENT SURFACE SHALL BE CONSTRUCTED 1/2" ABOVE LIP OF GUTTER AFTER COMPACTION.



**DETAIL 1**  
1" = 2"

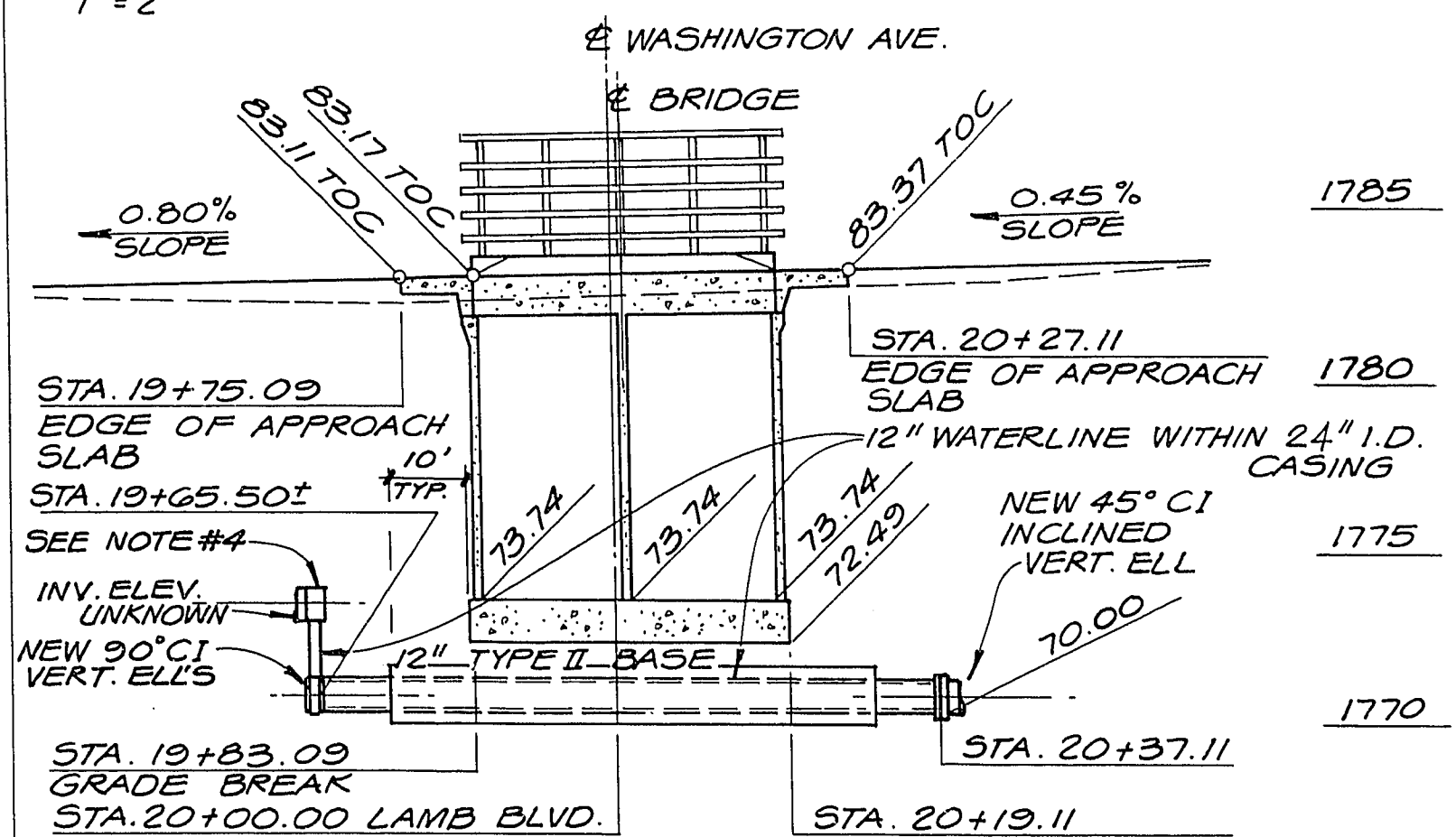


**SECTION B**  
NO SCALE

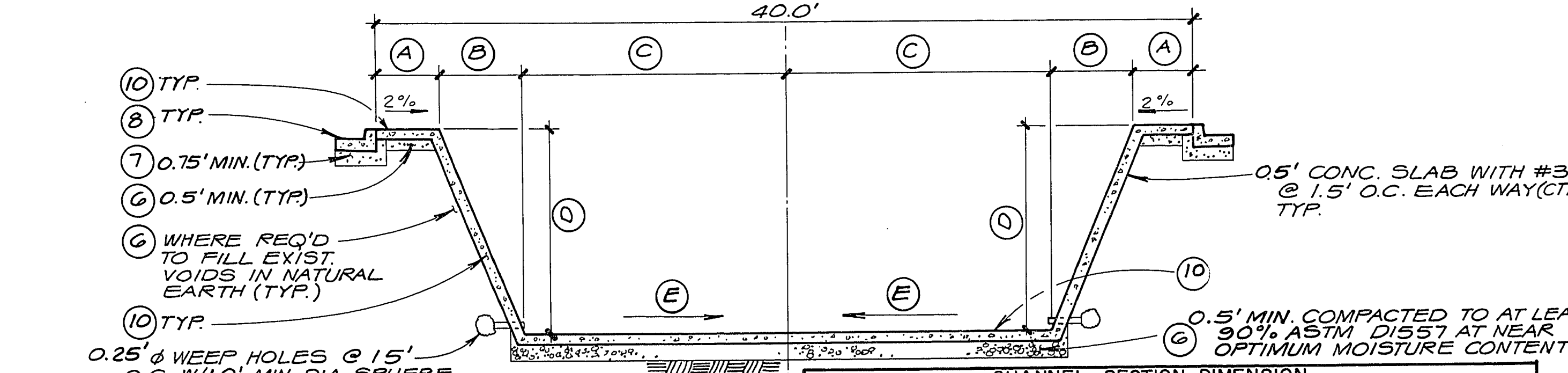
**NOTES:**  
1. SEE (A) FOR ITEM No. DESCRIPTION

**STATIONS NORTH OF BRIDGE:**  
STA. 20+27.11 TO STA. 20+90.00

**STATIONS SOUTH OF BRIDGE:**  
STA. 19+00.00 TO 19+75.09



**SECTION H**  
SCALE: VERT. 1" = 5'  
HORIZ. 1" = 20'



**SECTION C**  
NO SCALE

**CHANNEL SECTION DIMENSION**

STATION	A	B	C	D	E
STA. 9+30.27 (SOUTH 1/2)	3'	5'	12'	8.41'	FLAT
STA. 9+31.19 (NORTH 1/2)	3'	5'	12'	8.50'	FLAT
STA. 10+71.57 (SOUTH 1/2)	3'	5'	12'	9.98'	FLAT
STA. 10+73.93 (NORTH 1/2)	3'	5'	12'	10.12'	FLAT
STA. 11+33.00 (N.E.S. 1/2)	3'	7'	10'	8.63'	20:1
STA. 8+70.00 (MATCH EXIST.)	3'	7'	10'	6.20'	20:1 APPROX

**CONSTRUCTION ITEMS:**  
(6) THROUGH (8) SEE STREET SECTION (A)  
(10) ITEM G11-0.5' PORTLAND CEMENT CONC. (C)

**NOTE:**  
1. PAVE CONC. CHANNEL SIDES AGAINST NATURAL EARTH AFTER FILLING VOIDS WITH TYPE II GRAVEL

REVISION	DATE	REVISION PER CITY COMMENTS
2	12-12-86	REVISED PER CITY COMMENTS
1	4-10-87	REVISED PER CITY COMMENTS

**GUNNY, BRIZENDINE & POGGEMEYER**  
PLANNERS  
ENGINEERS  
1064 E. SAHARA AVE. LAS VEGAS, NEVADA (702) 735-5108  
625 MARGRAVE DR. RENO, NEVADA (702) 827-1701

JOB NUMBER	85080
DESIGNED BY	WC
DRAWN BY	CG
CHECKED BY	LVC
DATE	10-30-85

**CITY OF LAS VEGAS, NEVADA**  
**LAMB BOULEVARD / WASHINGTON AVENUE CHANNEL STRUCTURE**

SHEET NUMBER	14
OF 4	