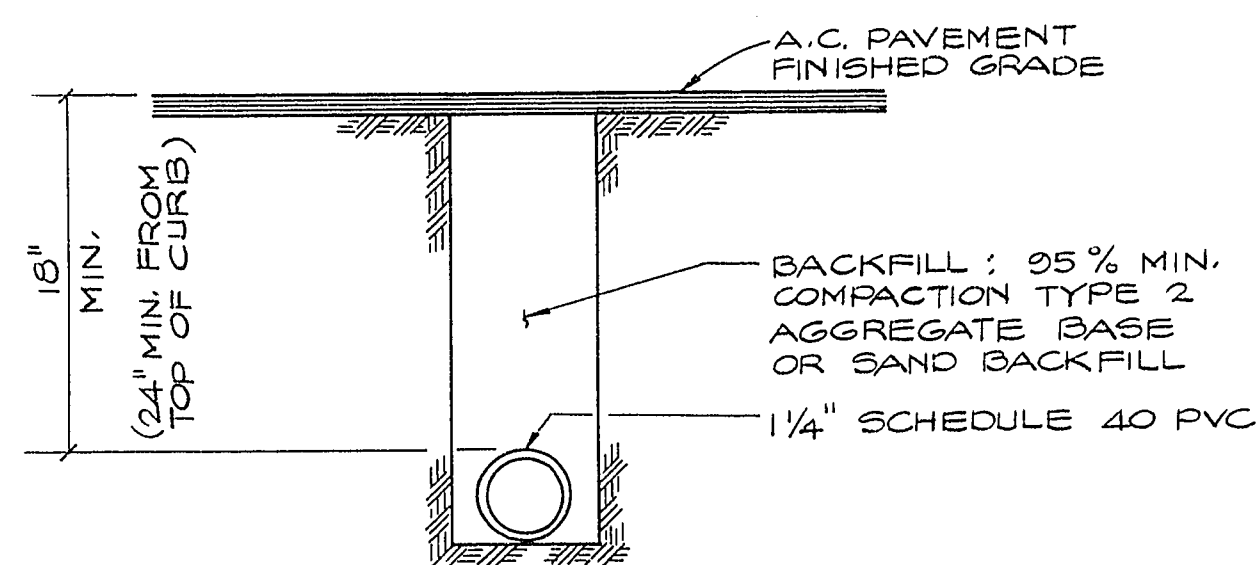


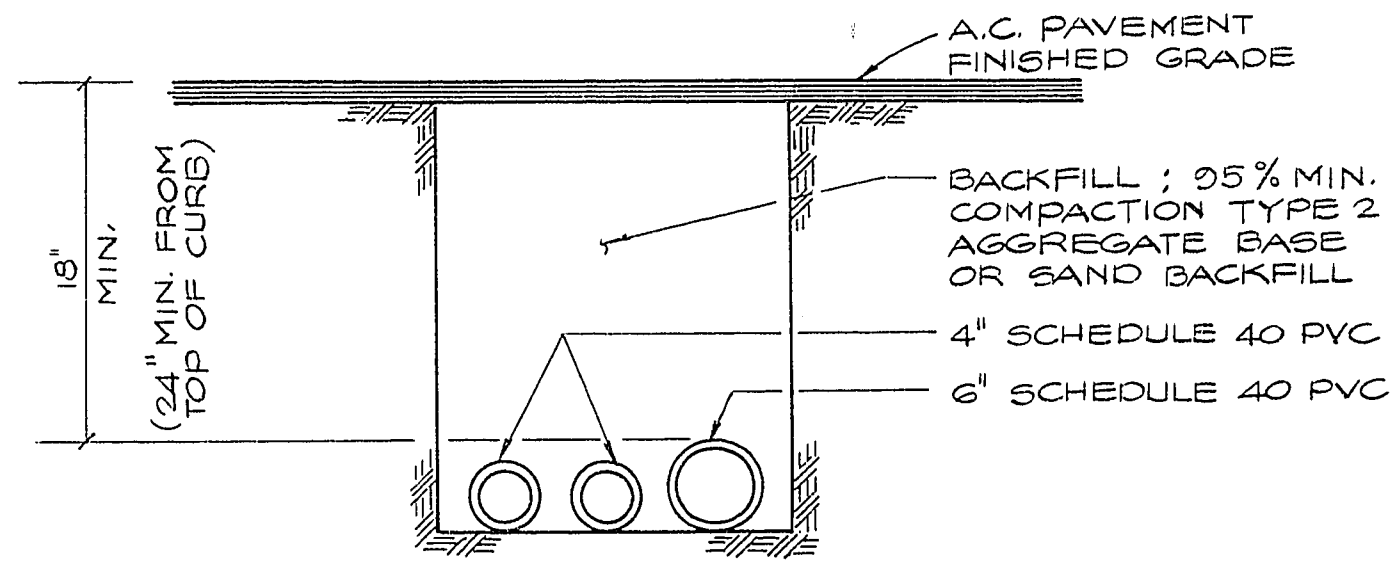
1. SLEEVES AND CONDUITS SHALL BE INSTALLED 18" BELOW FINISHED GRADE.
2. CONTRACTOR SHALL RECORD LOCATIONS OF INSTALLED SLEEVES; A COPY OF THE FIELD NOTES SHALL BE GIVEN TO THIS ENGINEER FOLLOWING CONSTRUCTION.
3. HORIZONTAL LOCATION OF SLEEVES SHALL BE SHOWN ON DESIGN PLANS.



**TYP. TRENCH SECTION**  
**ELECT. CONDUIT** NOT TO SCALE

3  
I-13

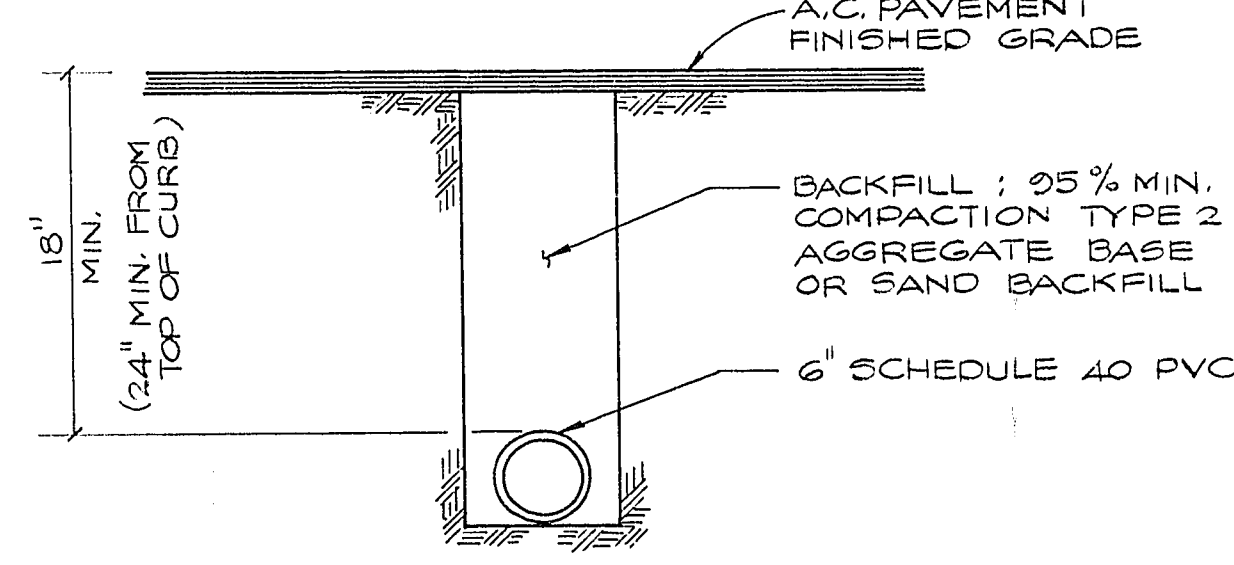
1. SLEEVES AND CONDUITS SHALL BE INSTALLED 18" BELOW FINISHED GRADE AND SHALL EXTEND 12" BEYOND BACK OF CURBS, WALLS AND PAVING.
2. CONTRACTOR SHALL RECORD LOCATIONS OF INSTALLED SLEEVES; A COPY OF THE FIELD NOTES SHALL BE GIVEN TO THIS ENGINEER FOLLOWING CONSTRUCTION.
3. HORIZONTAL LOCATION OF SLEEVES SHALL BE SHOWN ON DESIGN PLANS.



**IRRIGATION SLEEVES**  
**LAKE MEAD BLVD. ONLY** N.T.S.

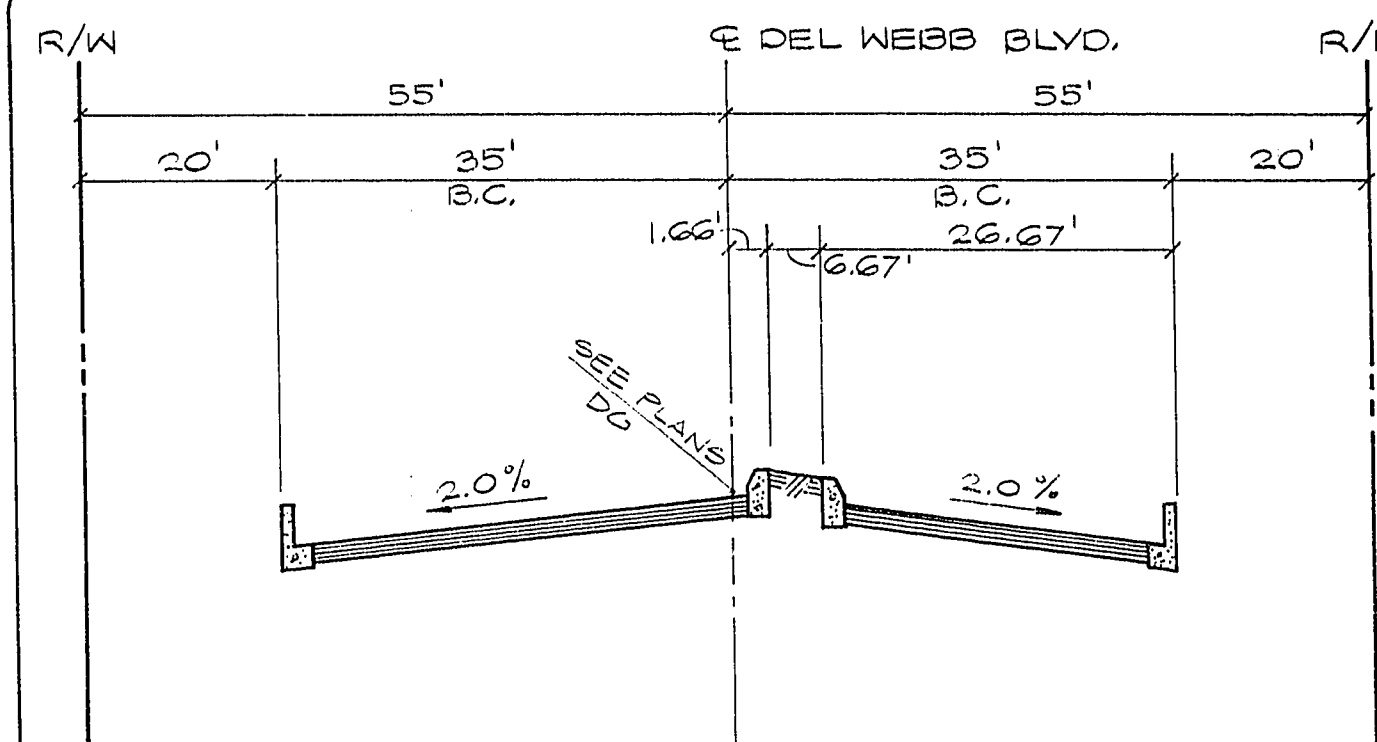
2  
I-13

1. SLEEVES AND CONDUITS SHALL BE INSTALLED 18" BELOW FINISHED GRADE AND SHALL EXTEND 12" BEYOND BACK OF CURBS, WALLS AND PAVING.
2. CONTRACTOR SHALL RECORD LOCATIONS OF INSTALLED SLEEVES; A COPY OF THE FIELD NOTES SHALL BE GIVEN TO THIS ENGINEER FOLLOWING CONSTRUCTION.
3. HORIZONTAL LOCATION OF SLEEVES SHALL BE SHOWN ON DESIGN PLANS.



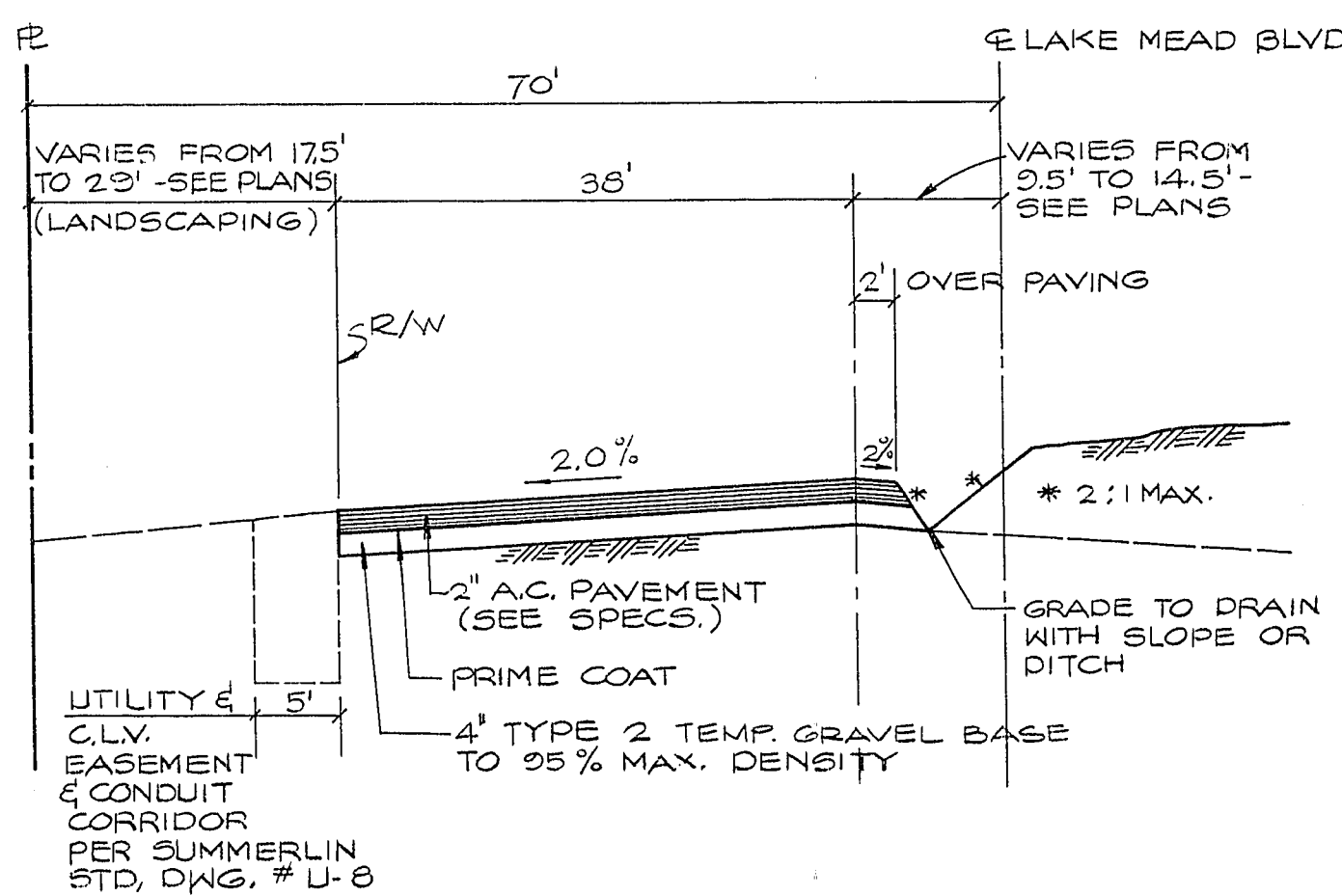
**IRRIGATION SLEEVES**  
**DEL WEBB BLVD. ONLY** N.T.S.

1  
I-13



**SECTION C**  
**DEL WEBB BLVD.** NOT TO SCALE I-13

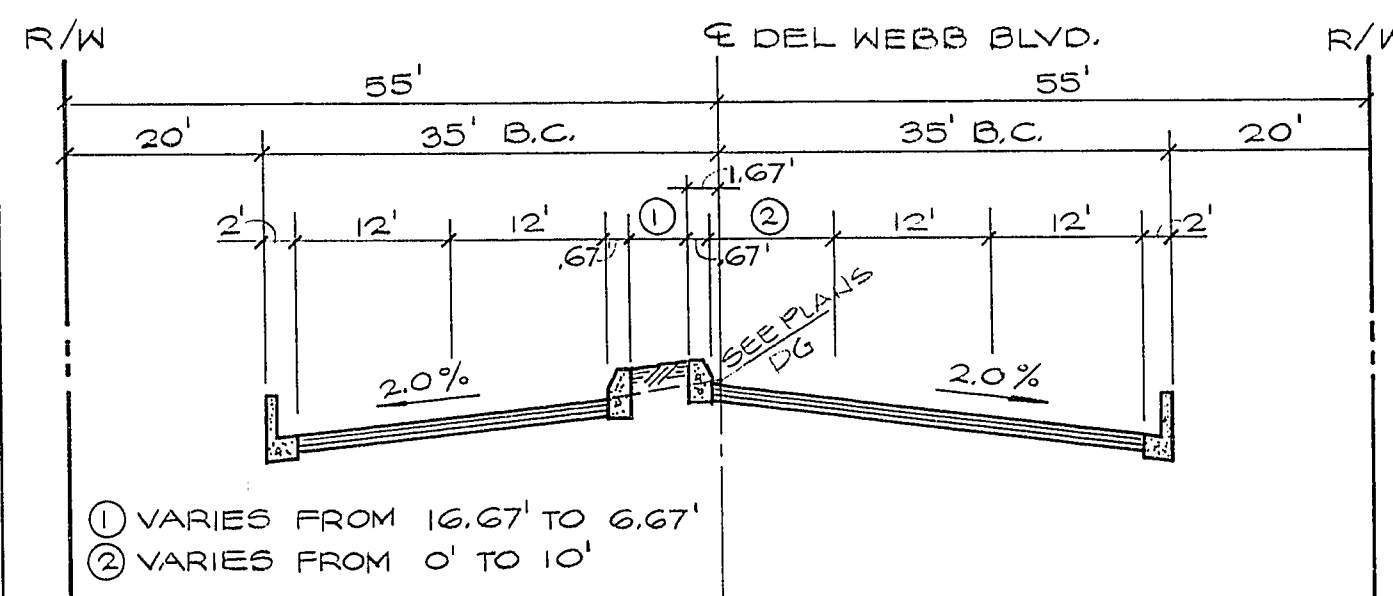
STA. 21+35.85 TO STA. 22+35.85  
STA. 24+44.61 TO STA. 25+44.61  
STA. 13+45.00 TO STA. 14+45.00  
STA. 19+51.85 TO STA. 20+51.85



**TEMPORARY PAVEMENT & STREET SECTION** NOT TO SCALE

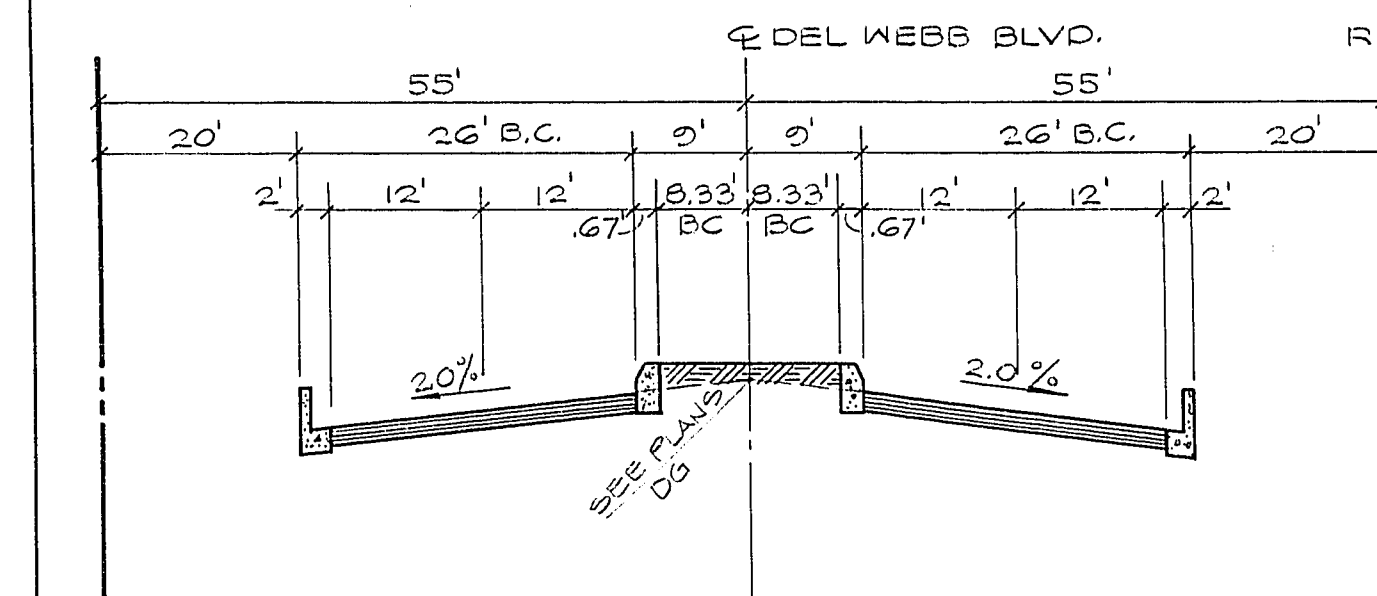
**LAKE MEAD BLVD. - STA. 376+50.00 TO STA. 381+50.00**

F  
I-13



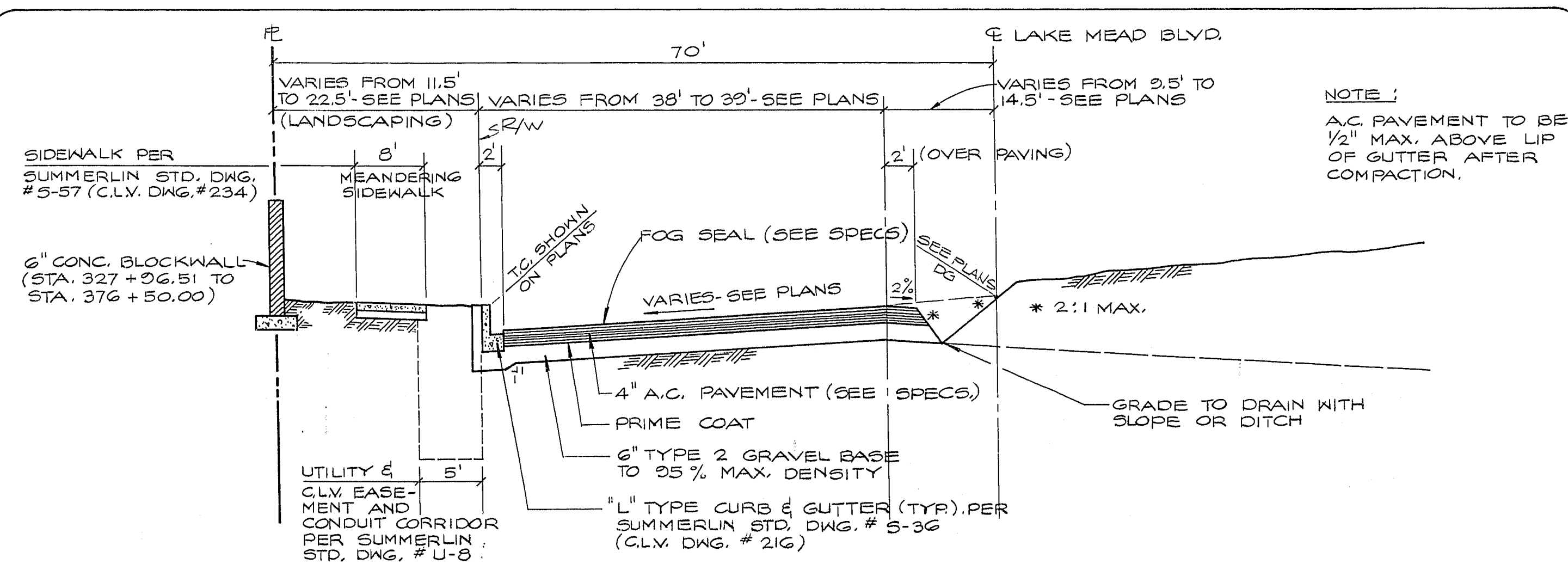
**SECTION D**  
**DEL WEBB BLVD. - NOT TO SCALE** I-13

STA. 12+54.78 TO STA. 13+45.00  
STA. 15+34.16 TO STA. 16+24.38  
STA. 38+21.37 TO STA. 39+10.25  
STA. 07+97.00 TO STA. 08+85.88  
STA. 22+35.85 TO STA. 23+17.80  
STA. 25+44.61 TO STA. 26+26.56  
STA. 29+30.12 TO STA. 30+19.00  
STA. 34+08.08 TO STA. 30+19.00  
STA. 41+94.25 TO STA. 42+83.13



**SECTION E**  
**DEL WEBB BLVD.** NOT TO SCALE I-13

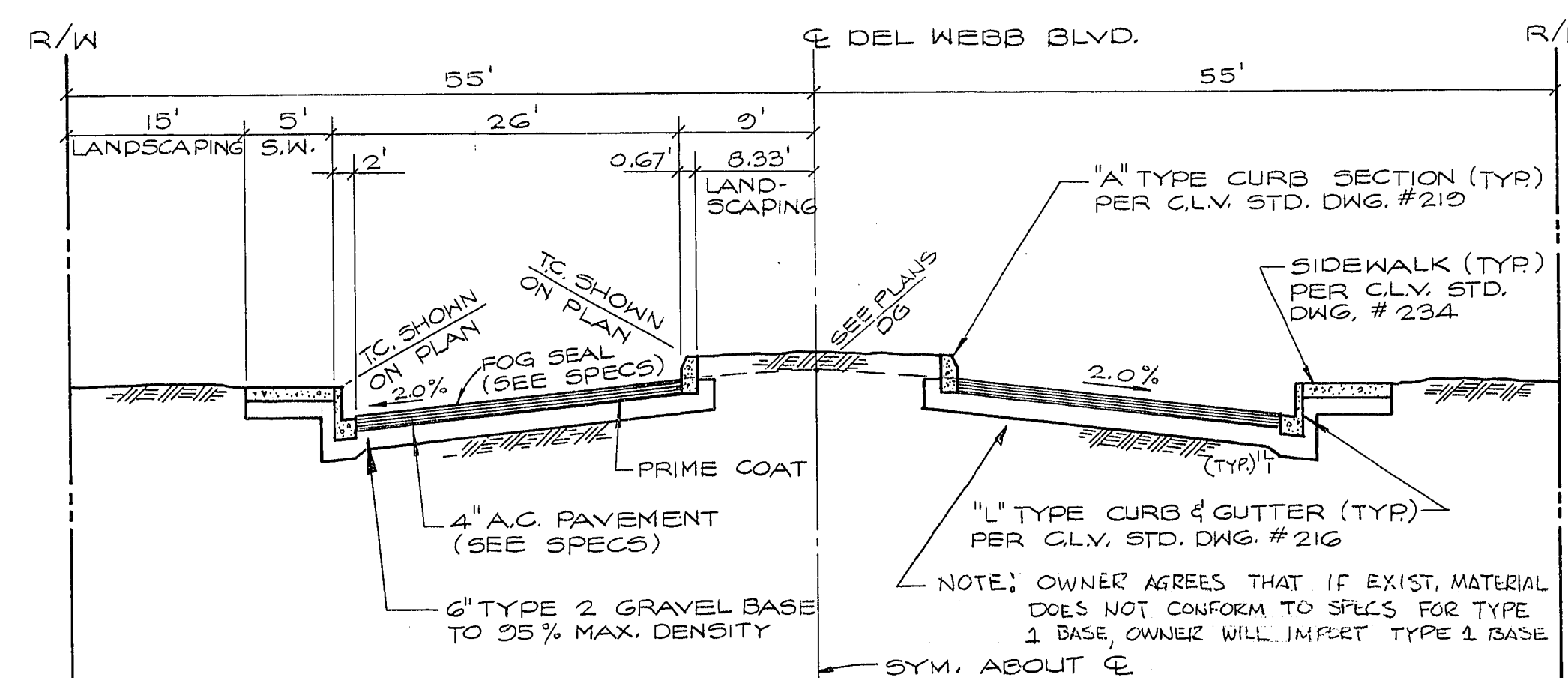
STA. 08+85.88 TO STA. 12+54.78  
STA. 23+17.80 TO STA. 23+55.61  
STA. 26+26.56 TO STA. 26+38.12  
STA. 30+19.00 TO STA. 30+93.08  
STA. 34+96.99 TO STA. 38+21.37  
STA. 42+83.13 TO STA. 44+71.02



**TYP. PAVEMENT & STREET SECTION**  
**LAKE MEAD BLVD.** NOT TO SCALE

STA. 327+96.51 TO STA. 376+50.00  
STA. 381+00.00 TO STA. 384+75.20

E  
I-13



**TYP. PAVEMENT & STREET SECTION**  
**DEL WEBB BLVD.** NOT TO SCALE

STA. 327+96.51 TO STA. 376+50.00  
STA. 381+00.00 TO STA. 384+75.20

A  
I-13

JOB NO. 701.013

8/4 DIETRICH-POST 65328

| DESCRIPTION | DATE | REV |
|-------------|------|-----|
| RECOMMENDED |      |     |
|             |      |     |
|             |      |     |
|             |      |     |

G.C. WALLACE, INC.  
Engineering/Architecture  
1555 SOUTH RAINBOW BLVD., LAS VEGAS, NEVADA 89102

DEL WEBB COMMUNITIES, INC.  
SUN CITY SUMMERLIN  
STREETS SECTIONS AND DETAILS

9-9-100