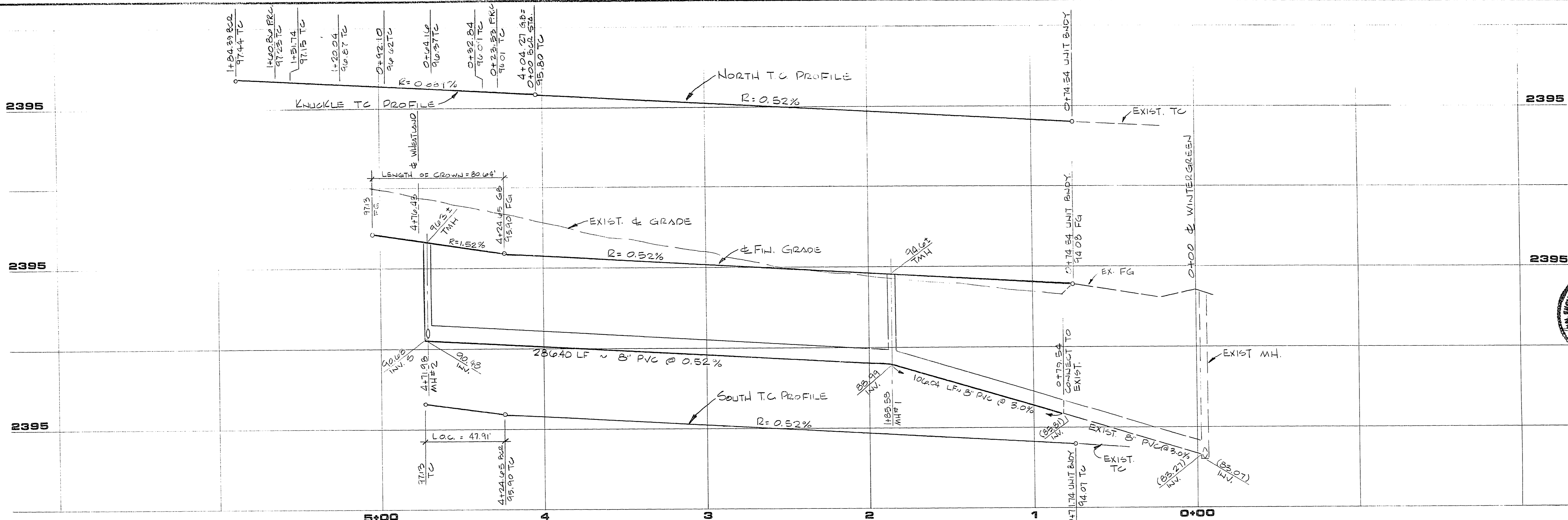
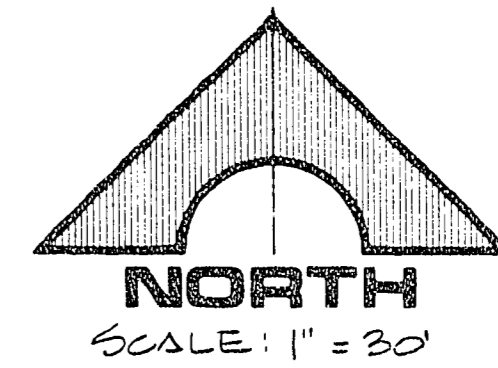


JOB NO. 5543.7010

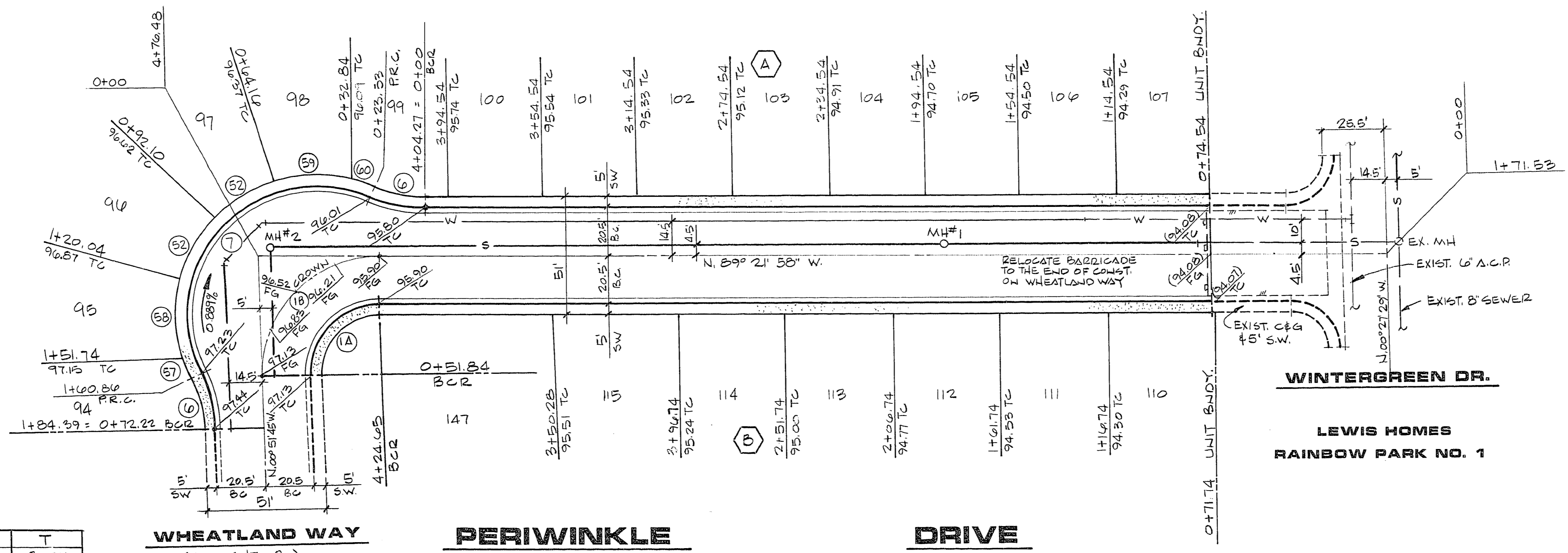


PROFILE
SCALE: HORIZ. 1" = 30'
VERT. 1" = 3'



BCR CURVE DATA

No.	Δ	BCR	L	T
1A	91° 29' 47"	30.00'	47.91'	30.79'
6	24° 30' 26"	55.00'	23.53'	11.95'
7	140° 30' 38"	56.00'	137.33'	156.02'
52	28° 35' 24"	56.00'	27.94'	14.27'
57	09° 19' 14"	56.00'	9.11'	4.56'
58	32° 02' 13"	56.00'	31.70'	16.29'
59	32° 02' 56"	56.00'	31.32'	16.08'
60	09° 31' 27"	56.00'	9.31'	4.67'
1B	91° 29' 47"	50.50'	80.64'	51.84'



APPROVALS:

[Signature] 5-11-83
CLV ENGINEER DATE

[Signature] 5-10-83
CLV QUALITY CONTROL ENGINEER DATE

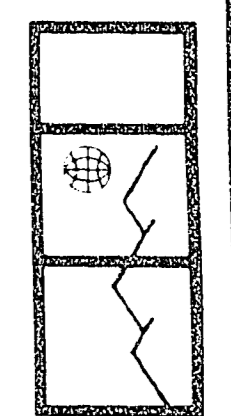
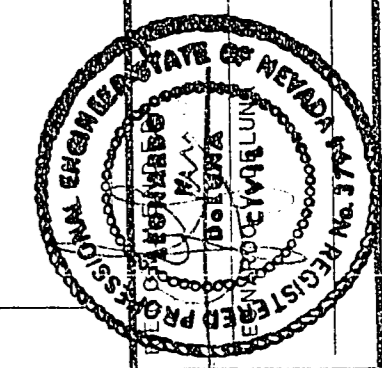
[Signature] 5-4-83
CLV FIRE MARSHALL DATE

[Signature] 5-5-83
CLV TRAFFIC ENGINEER DATE

[Signature] 5/5/83
CLV CHIEF LAND DEVELOPMENT AND FLOOD CONTROL

LEWIS HOMES OF NEVADA
LEWIS HOMES - RAINBOW PARK NO. 3
PERIWINKLE DRIVE

SHEET
7
OF 8 SHEETS



G. C. WALLACE, Inc.
Consulting Engineers, Inc.
1100 East Sahara Ave. • Las Vegas, Nevada 89104 • 732-3330

947-671
1078-2030-3