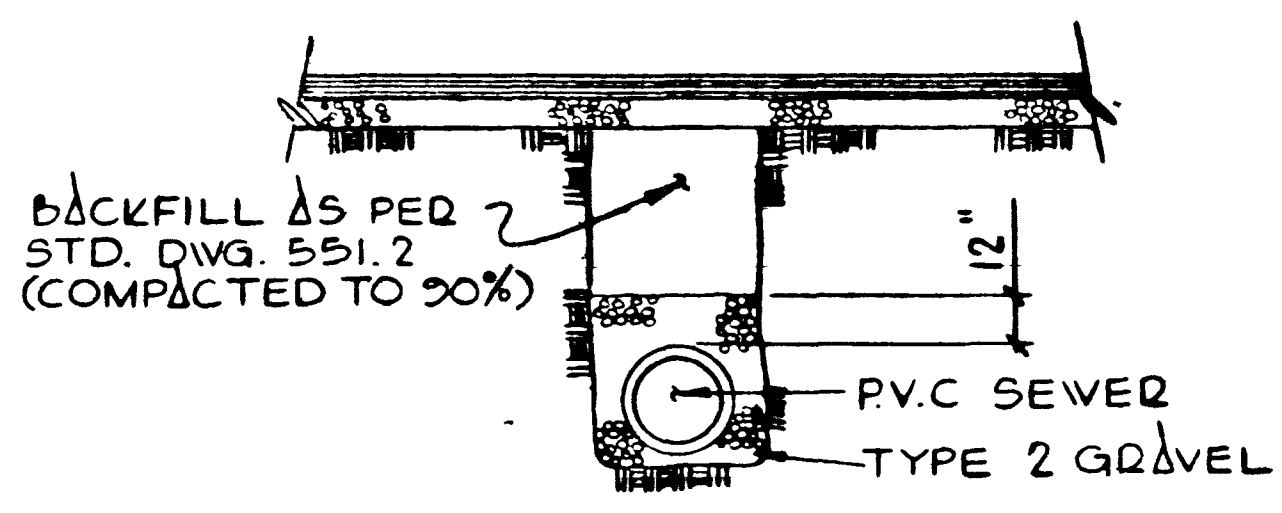
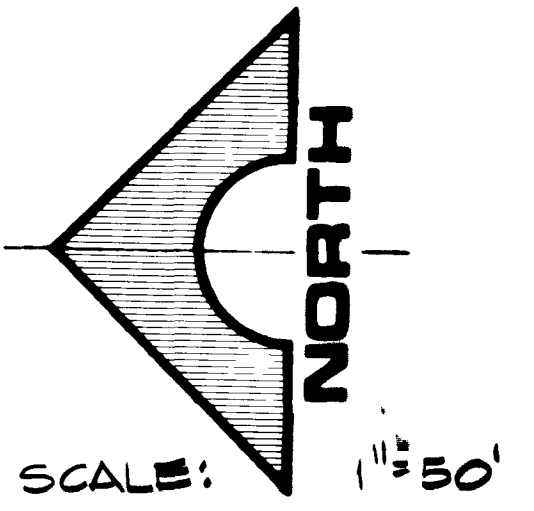
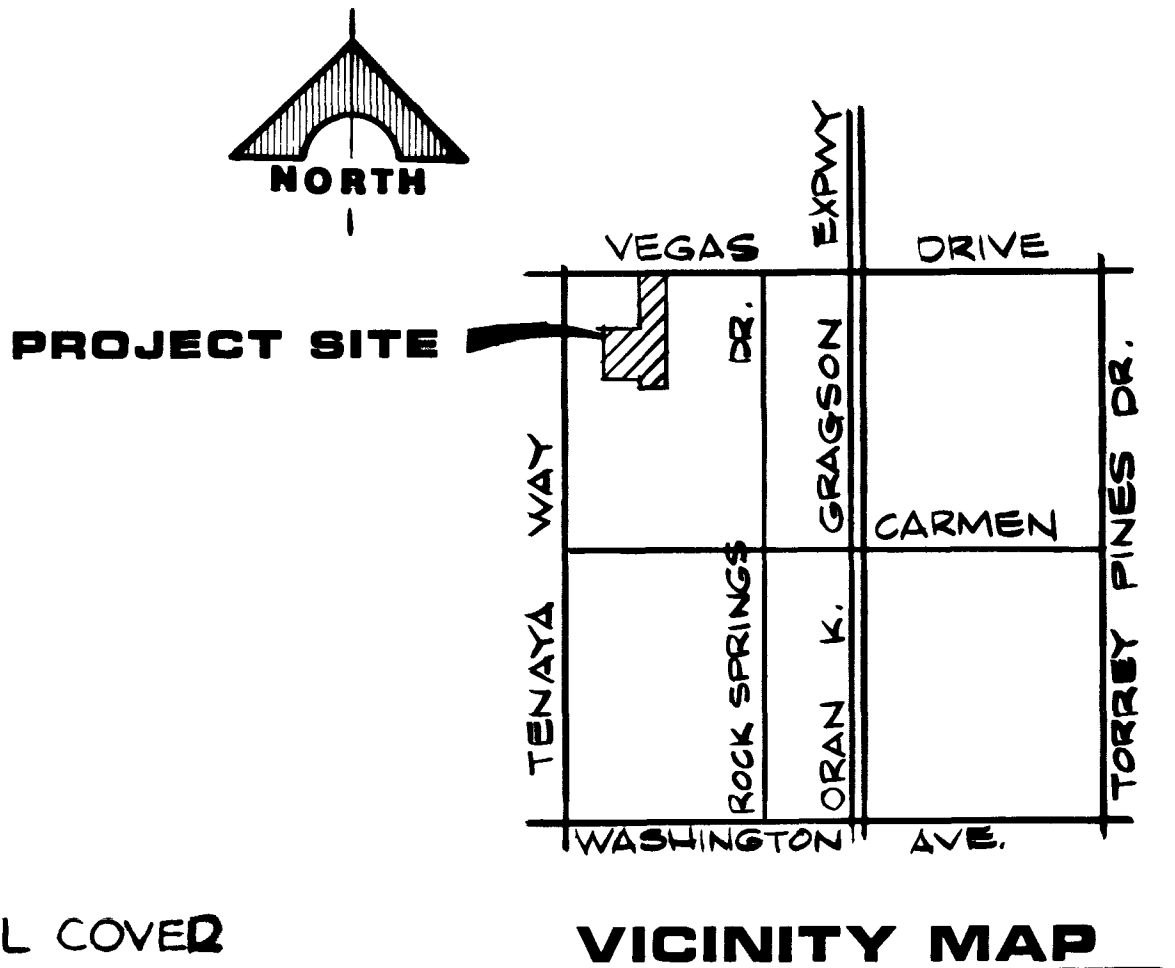
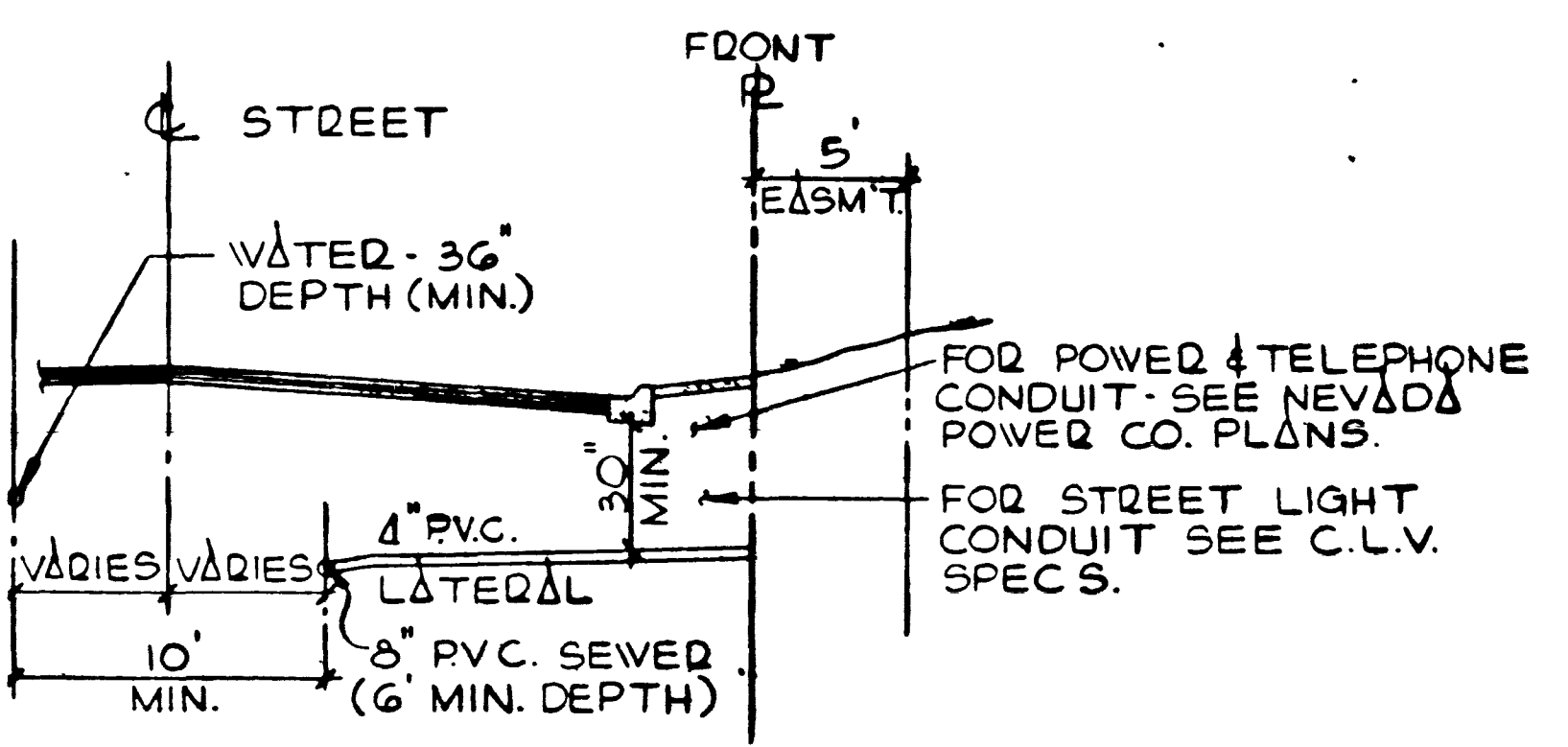


LEGEND

- W — WATER LINE
- S — SEWER LINE
- M.H. — SEWER MANHOLE
- GATE VALVE
- REDUCER
- FIRE HYDRANT W/ GATE VALVE
- SEWER LATERAL
- 100 W. HPS W/ 11 G.D. POLE
- 250 W. HPS W/ 11 G.D. POLE
- 1/4" P.V.C.
- NO. 3/2 CONC. PULL BOX W/ METAL COVER
- DRIVEWAY

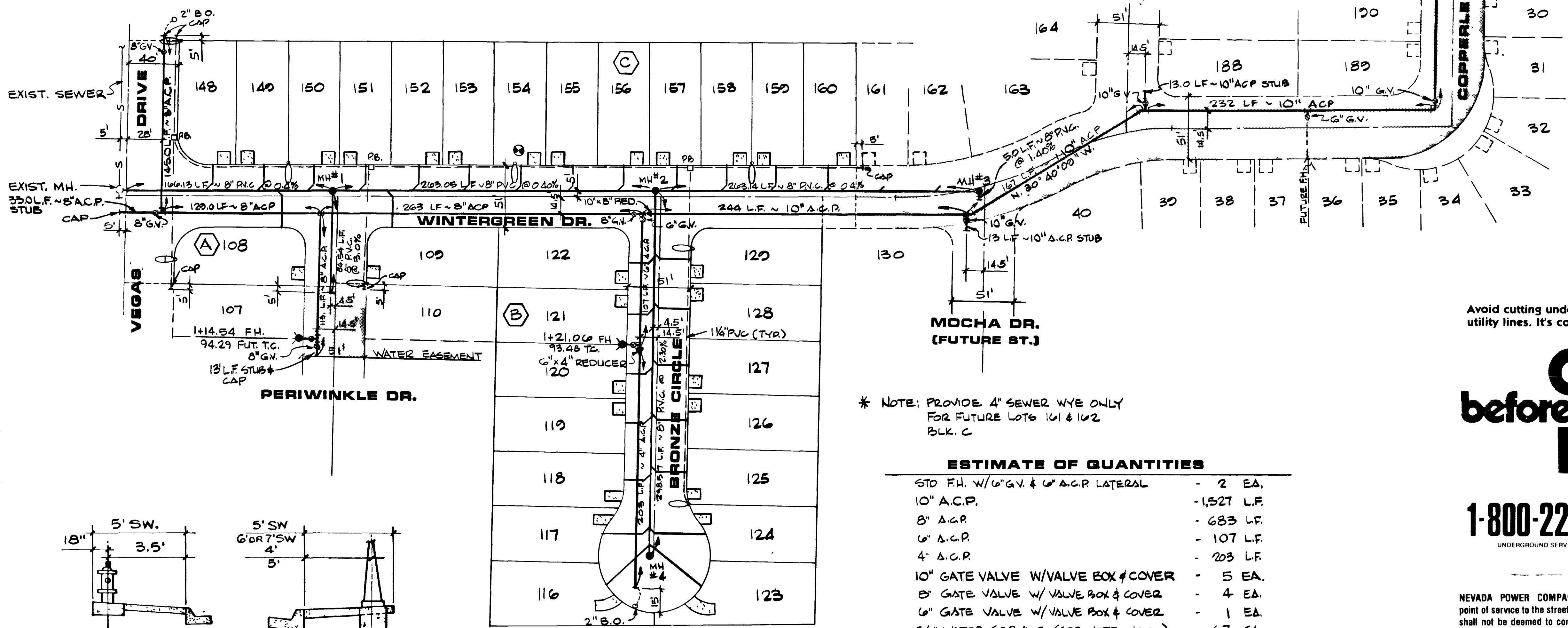


TYPICAL TRENCH SECTION
NO SCALE



TYPICAL STREET SECTION
NO SCALE

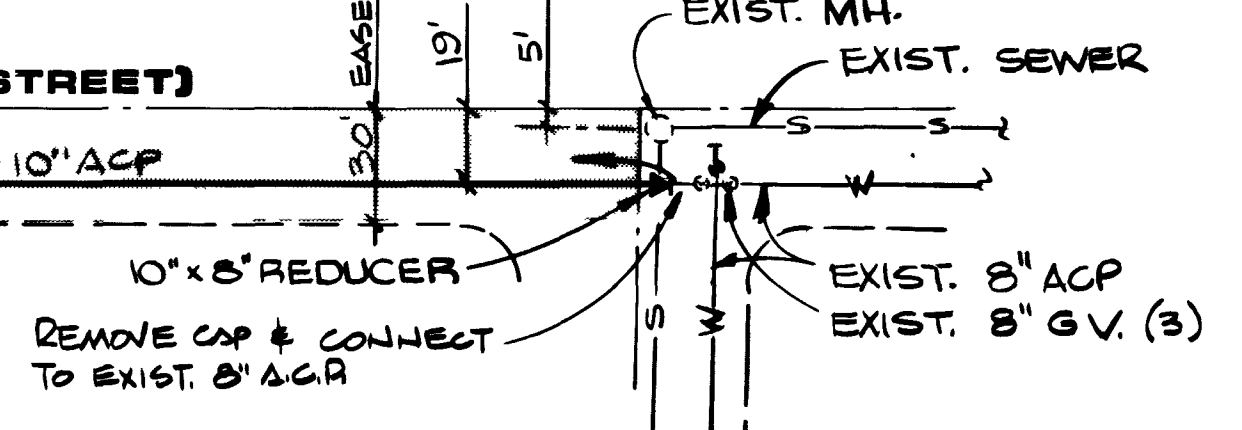
NOTE:
FOR INSTALLATION OF SERVICE LATERAL ONLY, FOR FUTURE LOTS:
SERVICE LATERAL SHALL INCLUDE:
- DOUBLE STRAP BRONZE SERVICE SADDLE OR ASBESTOS CEMENT FACTORY-TAPPED COLLAR
- A CORPORATION STOP
- POLYETHYLENE SERVICE LATERAL (FUTURE)
- ANGLE METER STOP (A BALL ANGLE METER STOP FOR 3/4" SERVICES) (FUTURE)



* NOTE: PROVIDE 4" SEWER WYE ONLY FOR FUTURE LOTS 161 & 162 BLK. C

ESTIMATE OF QUANTITIES

STD. F.H. W/ G.V. & G.A.C.P. LATERAL	- 2 EA.
10" A.C.P.	- 1,527 L.F.
8" A.C.P.	- 683 L.F.
6" A.C.P.	- 107 L.F.
4" A.C.P.	- 203 L.F.
10" GATE VALVE W/ VALVE BOX & COVER	- 5 EA.
8" GATE VALVE W/ VALVE BOX & COVER	- 4 EA.
6" GATE VALVE W/ VALVE BOX & COVER	- 1 EA.
3/4" WATER SERVICE (SEE NOTE NO. 10)	- 67 EA.
METER BOX	- 29 EA.
3/8" METER (BY LVVWD)	- 29 EA.
2" BLOW-OFF ASSEMBLY	- 2 EA.



- WATER NOTES**
- ALL WORK TO CONFORM TO LAS VEGAS WATER DISTRICT STANDARD PLATES.
 - ALL WORK, EXCEPT AS MODIFIED HEREON OR BY NOTE NO. 1 SHALL BE DONE IN ACCORDANCE WITH THE MOST CURRENT DRAFT OR EDITION OF UNIFORM STANDARD SPECIFICATIONS FOR PUBLIC WORKS CONSTRUCTION, OFFSITE IMPROVEMENTS, CLARK COUNTY AREA.
 - NOTICE TO BE GIVEN ENGINEERING DEPARTMENT OF THE LAS VEGAS VALLEY WATER DISTRICT 48 HOURS PRIOR TO ACTUAL CONSTRUCTION.
 - SERVICE SADDLES OR TAPPED COLLARS WILL BE REQUIRED ON ALL SERVICES, DOUBLE TAP COLLARS ARE NOT PERMITTED.
 - ALL LINES TO BE PRESSURE TESTED TO 200 PSI.
 - ALL VALVE BOXES SHALL HAVE ASPHALT COLLARS AT SURFACE OF PAVED AREAS.
 - DEFLECTION ANGLE SHALL NOT EXCEED 2-1/2 DEGREES PER 13-FOOT SECTION OF PIPE FOR PIPE SIZES SMALLER THAN 14 INCHES AND SHALL NOT EXCEED 2 DEGREES FOR PIPE SIZES BETWEEN 14 INCHES AND 16 INCHES.
 - DETECTOR TAPE REQUIRED IN ACCORDANCE WITH STANDARD PLATE NO. 27 WHERE INDICATED AS FOLLOWS:
A. OVER ALL MAINS NOT INSTALLED AT 6 FEET FROM BACK OF CURB.
B. OVER ALL SERVICE LATERALS NOT INSTALLED AT RIGHT ANGLES TO MAINS.
 - ALL METERS SHALL BE LOCATED OUTSIDE OF DRIVEWAYS.
 - PROVIDE 3/4" SERVICES ONLY FOR FUTURE LOTS 161 AND 162 BLK. C, FOR FUTURE LOTS 189 THROUGH 201, BLK. D, AND FOR FUTURE LOTS 19 THROUGH 39, AND LOT 107 BLK. A, AND FOR FUTURE LOT 110, BLK. B.

Avoid cutting underground utility lines. It's costly.
Call before you Dig.
1-800-227-2600
UNDERGROUND SERVICE ALERT (USA)

NEVADA POWER COMPANY approves the point of service to the street light system. This shall not be deemed to consent to the placement of the light poles which may be in conflict with Nevada Power Company's prior rights and/or facilities.
11/24/02
(Date)
by *Rose Bolander*
NEVADA POWER COMPANY

APPROVALS:

- | | |
|--------------------------------------------------------------------|------------------|
| <i>[Signature]</i>
CLV ENGINEER | 12-2-82
DATE |
| <i>[Signature]</i>
CLV QUALITY CONTROL ENGINEER | 1/1/02
DATE |
| <i>[Signature]</i>
CLV FIRE MARSHALL | 11-29-82
DATE |
| <i>[Signature]</i>
CLV SANITATION ENGINEER | 12-1-84
DATE |
| <i>[Signature]</i>
CLV ELECTRICAL SUPERVISOR | 12-2-82
DATE |
| <i>[Signature]</i>
CLV ELECTRICAL COORDINATOR | 12/1/82
DATE |
| <i>[Signature]</i>
CLV CHIEF LAND DEVELOPMENT AND FLOOD CONTROL | 12/1/02
DATE |
| <i>[Signature]</i>
LAS VEGAS VALLEY WATER DISTRICT | 1-26-03
DATE |

DESCRIPTION: REV. DATE: 11/20/02 REV. W/L ALIGNMENT; 12/28/02 REV. DENYWAY LOCATIONS; FROM LOT 190 TO 200 BLK. D; 12/28/02 REV. W/L SIZES & QUANTITIES; 12/28/02

3.739.4
R.E. NO. 16/04/02

G. C. WALLACE
Consulting Engineers, Inc.
1100 East Sahara Ave. - Las Vegas, Nevada 89104 - 739-3330

LEWIS HOMES - RAINBOW PARK NO. 1
UTILITY PLAN

SHEET
5
OF 9 SHEETS

JOB NO. 5543.7010

9/78 DIETRICH-POST 6329

458

24-7-61

3078-2030-1

