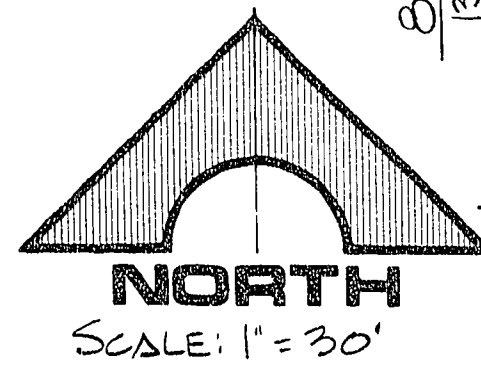
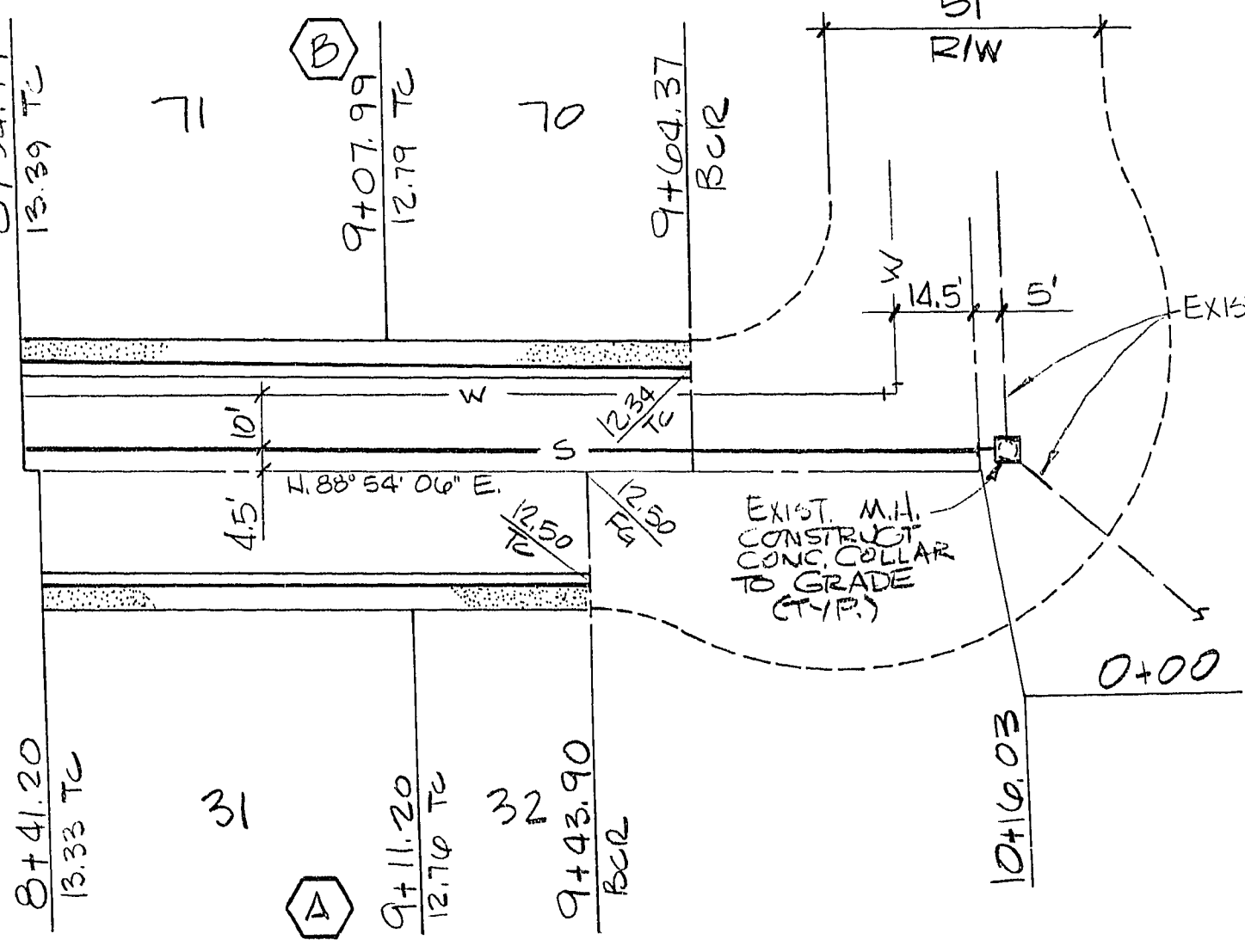


JOB NO. 5543-8120

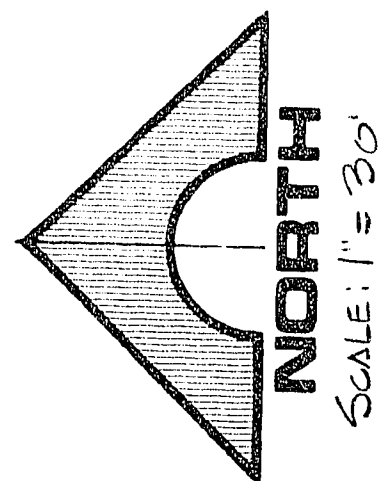


PEPPERMILL DRIVE

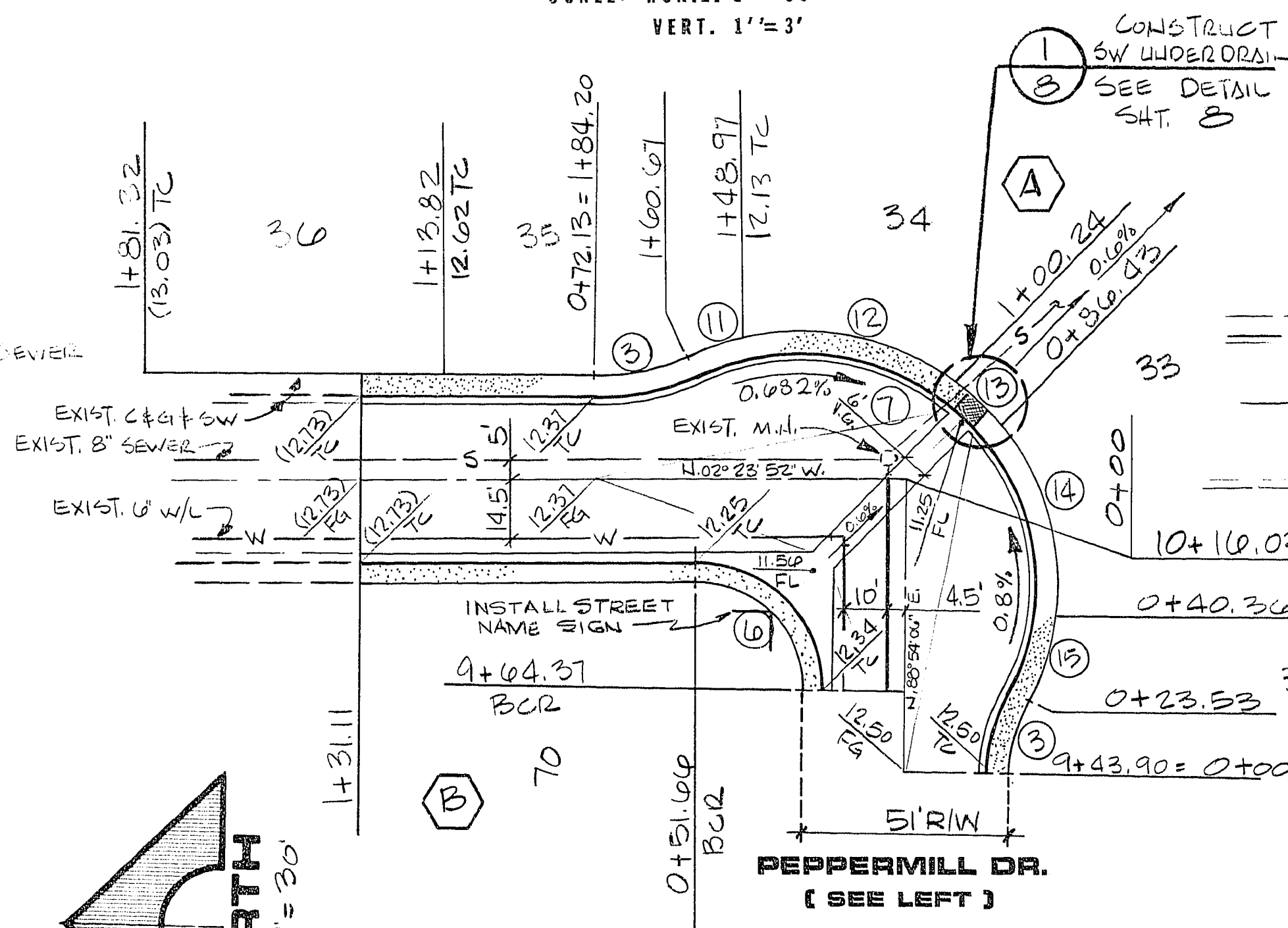
MATCHLINE SEE SH. 6



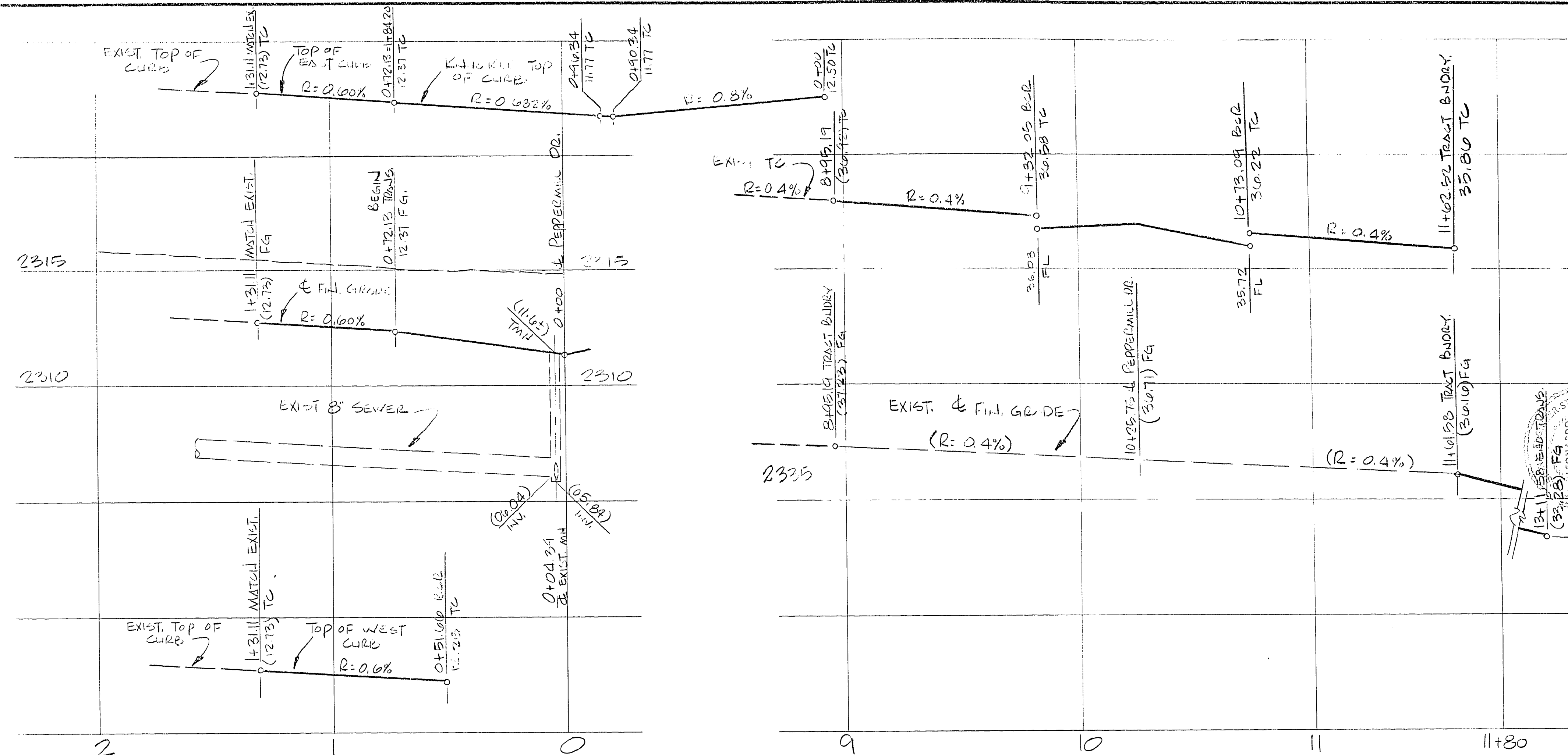
NIEMAN WAY
(SEE RIGHT)



NIEMAN WAY



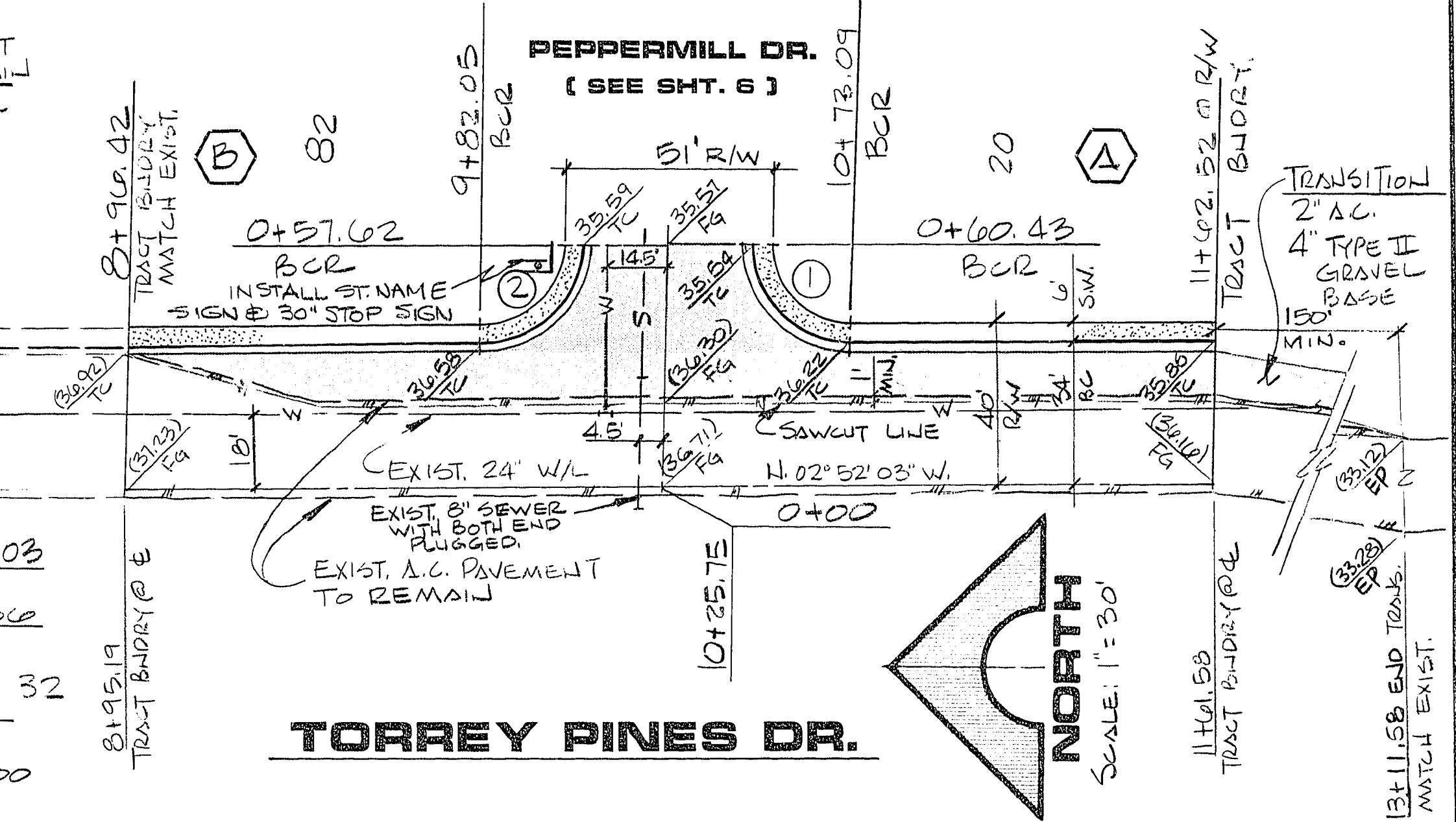
PROFILE
SCALE: HORIZ. 1"=30'
VERT. 1"=3'



BCR CURVE DATA

NO.	Δ	BCR	L	T
1	91° 46' 09"	25.00	40.04	25.73
2	88° 13' 51"	25.00	39.50	24.24
3	24° 30' 26"	55.00	23.53	11.93
6	91° 17' 58"	30.00	47.80	30.69
7	140° 18' 50"	50.00	131.14	155.18
11	11° 58' 26"	50.00	11.70	5.87
12	49° 51' 32"	50.00	48.73	26.03
13	14° 07' 29"	50.00	13.81	6.94
14	41° 08' 21"	50.00	40.01	24.43
15	17° 13' 02"	50.00	10.83	8.48

TORREY PINES DR.



APPROVALS

[Signature]
C.L.V. ENGINEER
N/A
C.L.V. FIRE MARSHALL
[Signature]
C.L.V. TRAFFIC ENGINEER
N/A SEE SHEET #5
C.L.V. ELECTRICAL COORDINATOR
[Signature]
C.L.V. QUALITY CONTROL ENGR.

9-24-82
DATE
DATE
9-17-82
DATE
DATE
9-17-82
DATE

DESCRIPTION
REV. DATE
5194-7/20/82
R.E. NO. DATE

G.C. WALLACE
Consulting Engineers, Inc.
1100 East Sahara Ave. • Las Vegas, Nevada 89104 • 732-3330

LEWIS HOMES OF NEVADA
LEWIS HOMES - SAHARA NO. 11
PEPPERMILL DR., NIEMAN WAY & TORREY PINES DR.

SHEET
7
OF 9 SHEETS