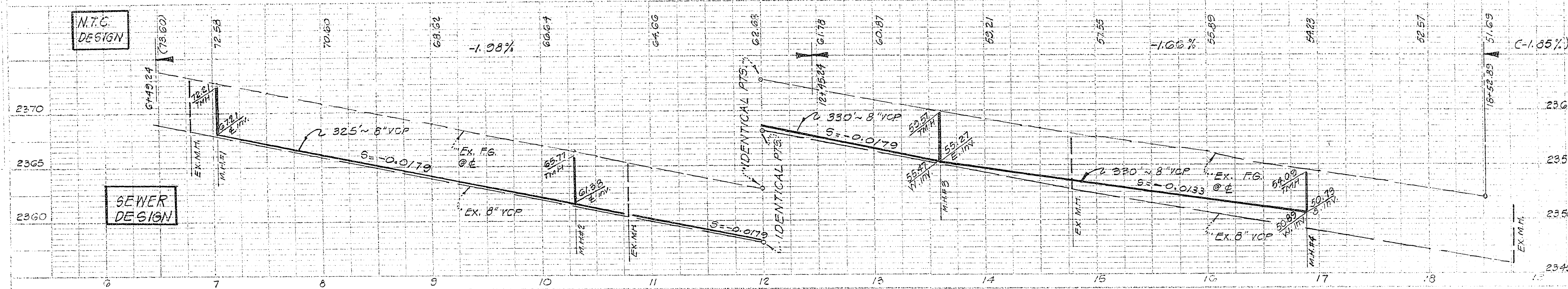


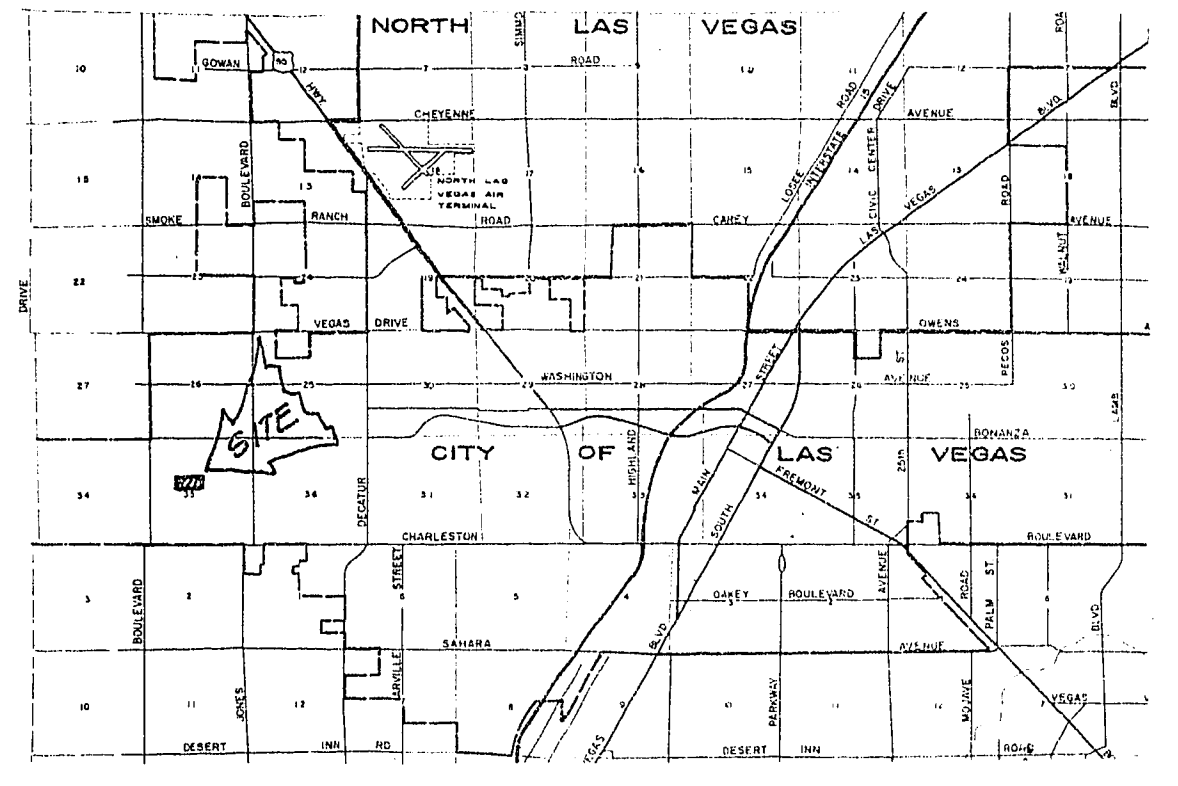
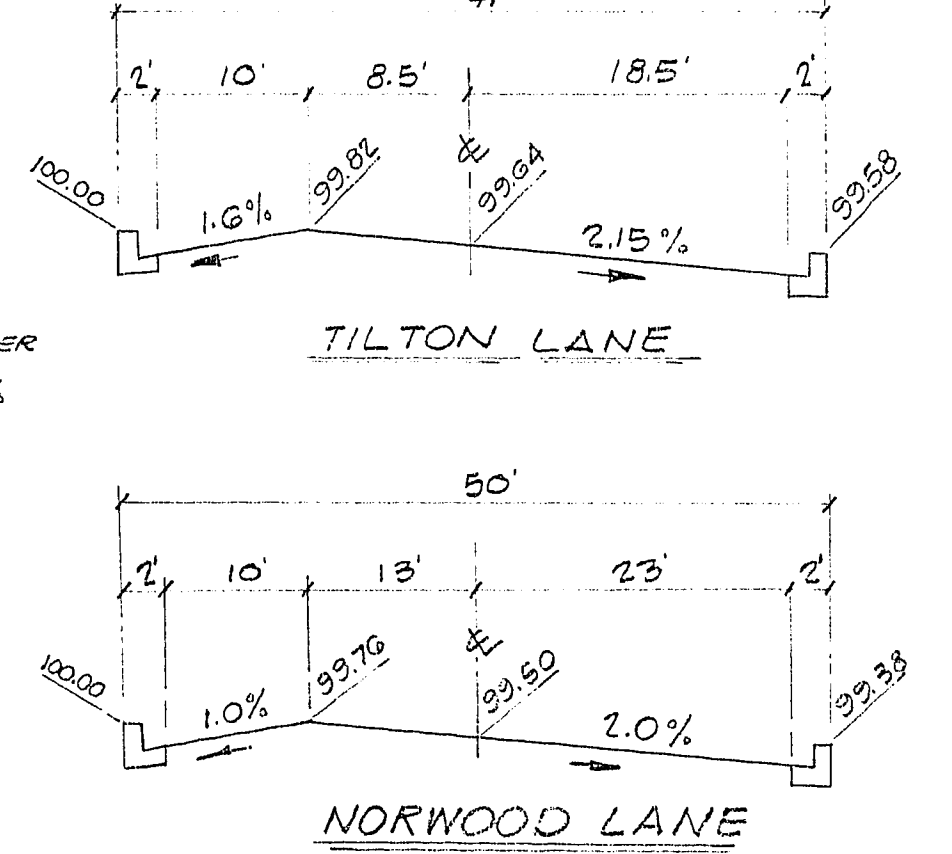
CURVE DATA				
NO	Δ	R	T	L
1	20°00'00"	25.00	25.00	33.27



ALTA DRIVE
SEE THIS SHT.

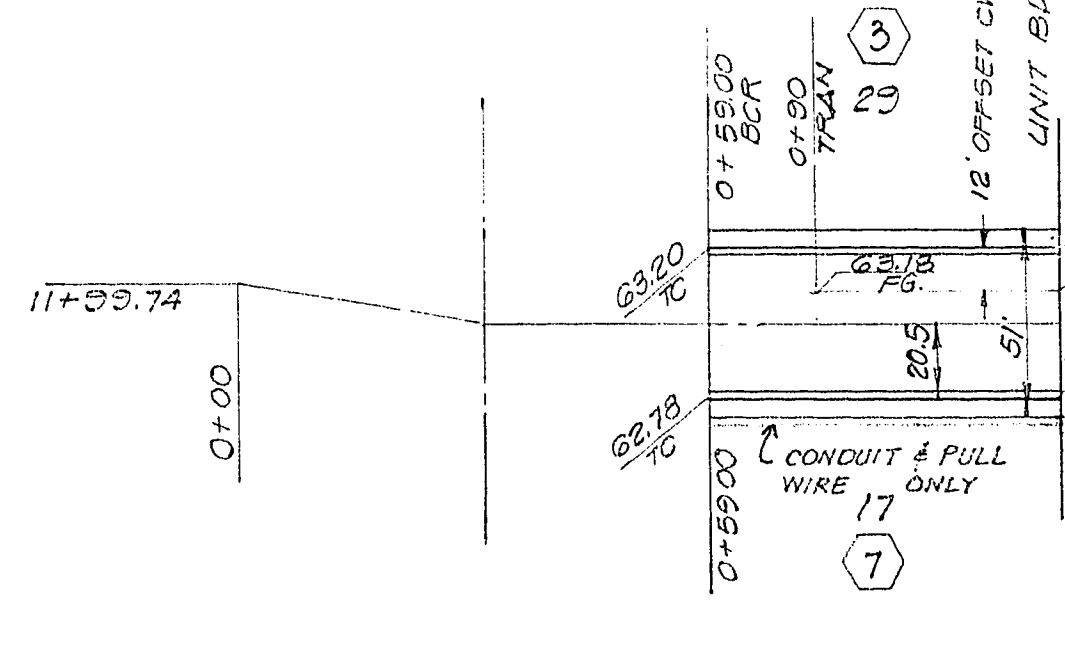
ALTA DRIVE
SEE THIS SHT.

CROWN DETAIL

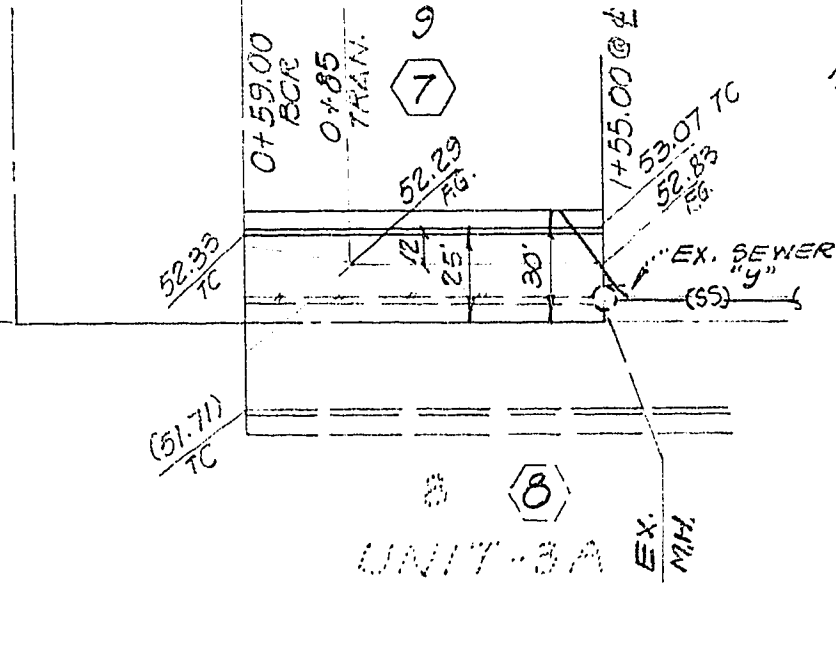


VICINITY MAP

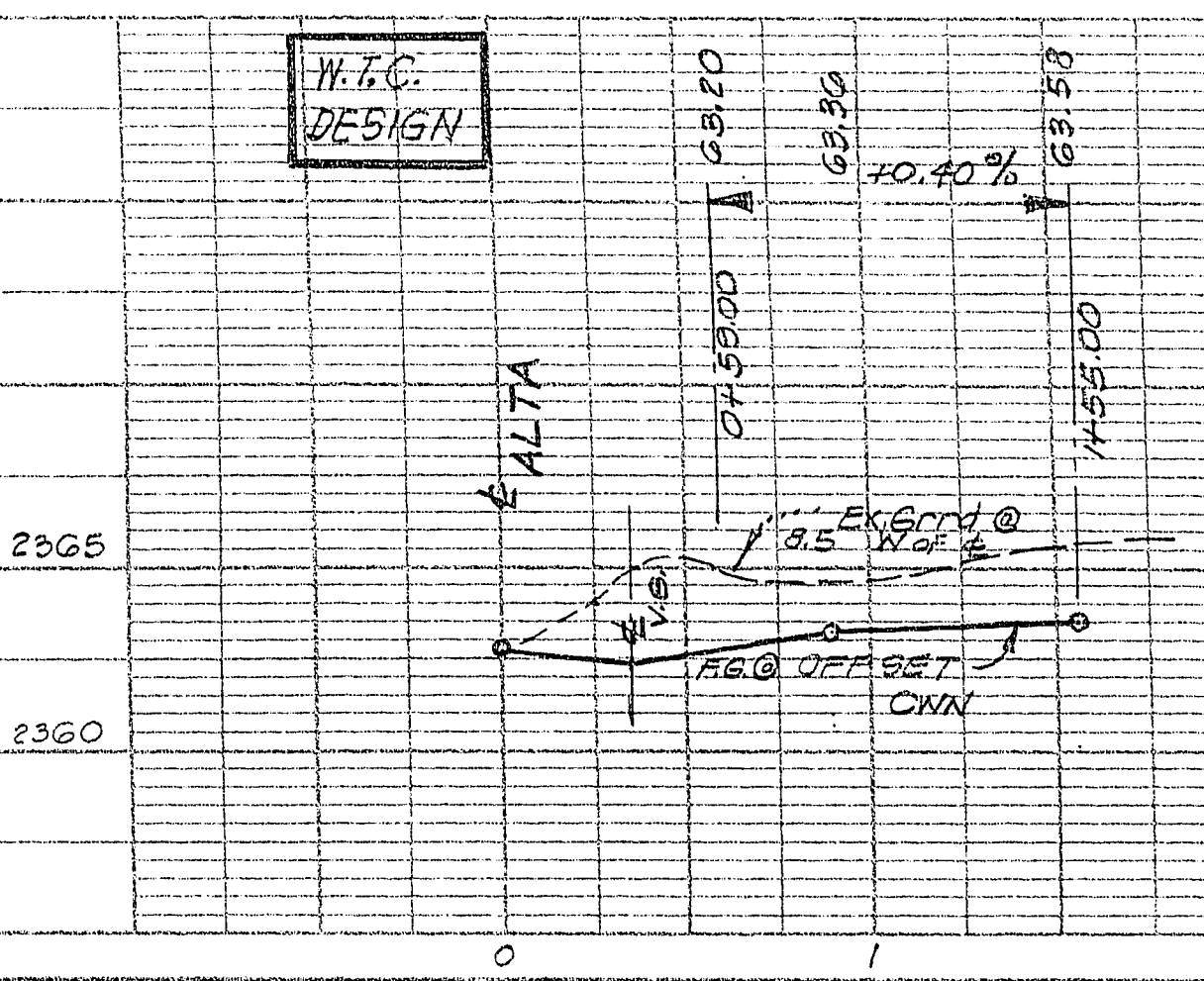
- M. Well* 5/9/74
LAS VEGAS VALLEY WATER DISTRICT DATE
- J.P. ...* 6-5-74
LAS VEGAS CITY ENGINEER DATE
- J.D. ...* 5-20-74
LAS VEGAS FIELD ENGINEER DATE
- Sam Cooper* 5-14-73
LAS VEGAS FIRE DEPT. DATE
- Malvin A. ...* 5-15-74
NEVADA POWER COMPANY DATE
- George ...* 5-9-74
LAS VEGAS CITY ELECTRICIAN DATE
- Bob ...* 5-6-74
LAS VEGAS ELECTRICAL COORDINATOR DATE
- R. ...* 1-17-74
LAS VEGAS SANITATION SUPPLY DATE



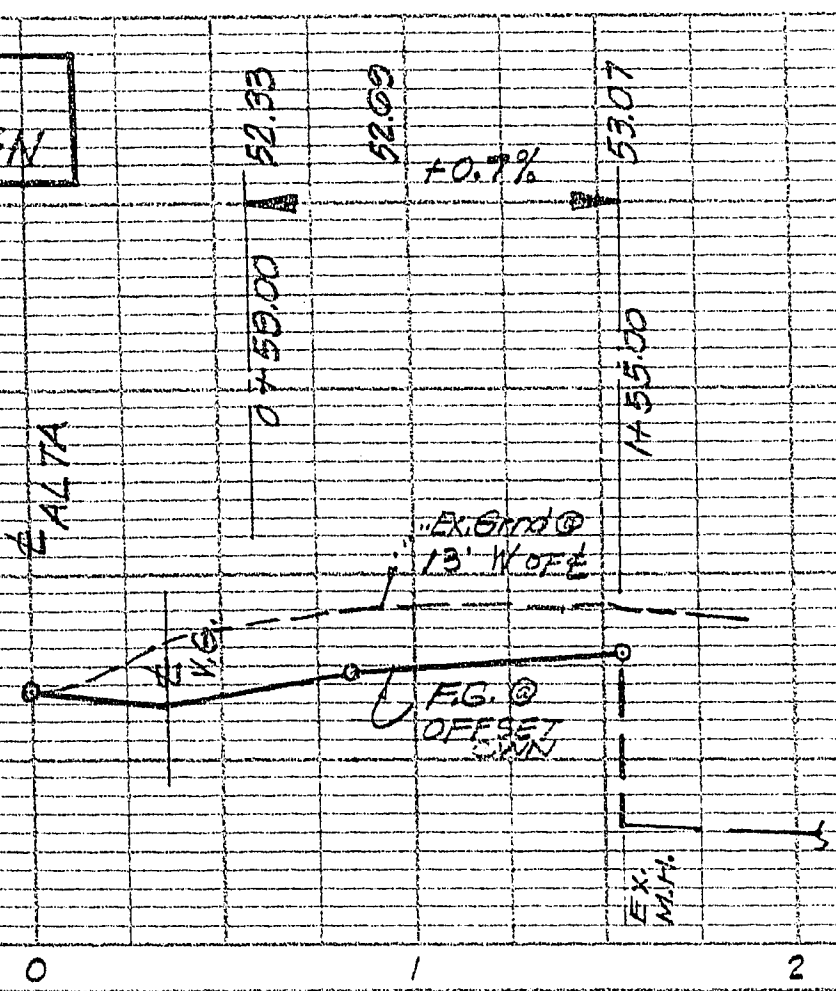
TILTON LANE



NORWOOD LANE



NOTE:
 W.T.C. = E.T.C. + 0.42
 W.T.C. = F.G. + 0.36
 W.T.C. = OFFSET CHN. + 0.18



W.T.C. = F.G. + 0.50
 W.T.C. = OFFSET CHN. + 0.24

LEWIS HOMES - CHAS. UNIT 3
 LAS VEGAS, NEVADA
 ALTA DRIVE, TILTON LANE
 & NORWOOD LANE

DATE: 3-22-74
 DRAWN BY: [Signature]
 CHECKED BY: [Signature]
 SCALE: 1"=50'
 SHEET 3 OF 4