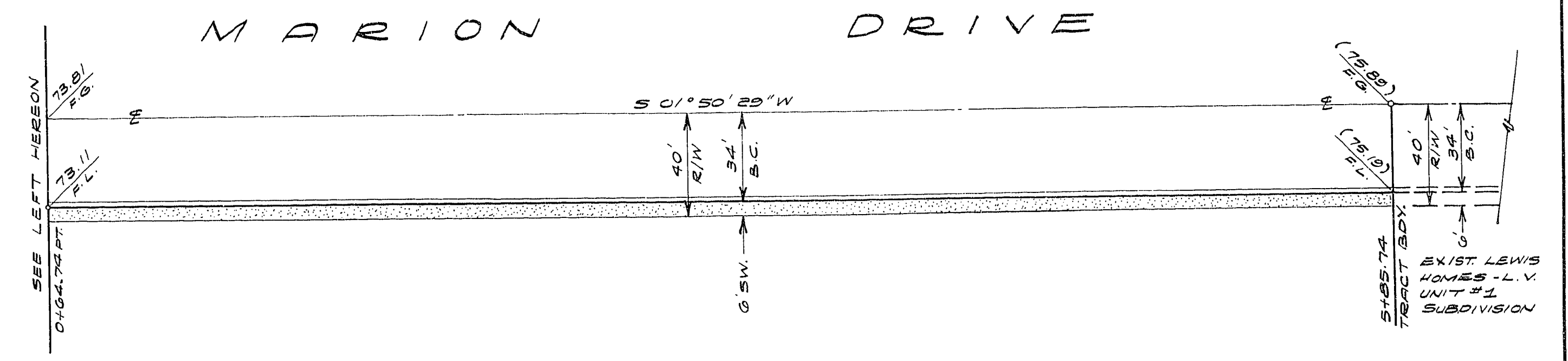
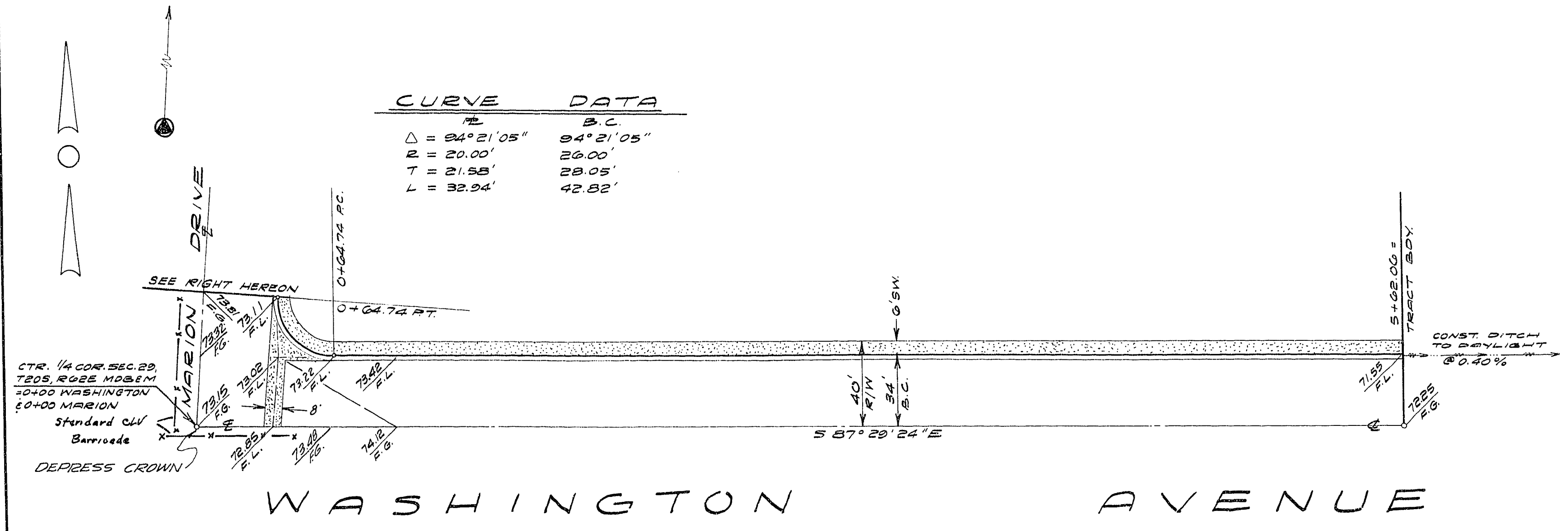


**CURVE DATA**

PC	PT	PI
0+04.74	0+21.05	0+12.90
0+04.74	0+21.05	0+12.90
0+04.74	0+21.05	0+12.90
0+04.74	0+21.05	0+12.90



**APPROVALS**

*[Signature]* 10-7-70  
CITY ENGINEER DATE

*[Signature]* 10-5-70  
FIELD ENGINEER DATE

**VTR** NEVADA 2208 PARADISE ROAD  
LAS VEGAS, NEVADA

LEWIS HOMES - LAS VEGAS - UNIT NO 2  
PLAN & PROFILE

WASHINGTON & AVENUE  
MARION DRIVE

SCALE: HORIZ. 1"=40' DATE: SHEET 3  
SCALE: VERT. 1"=4' JOB NO.: OF 7