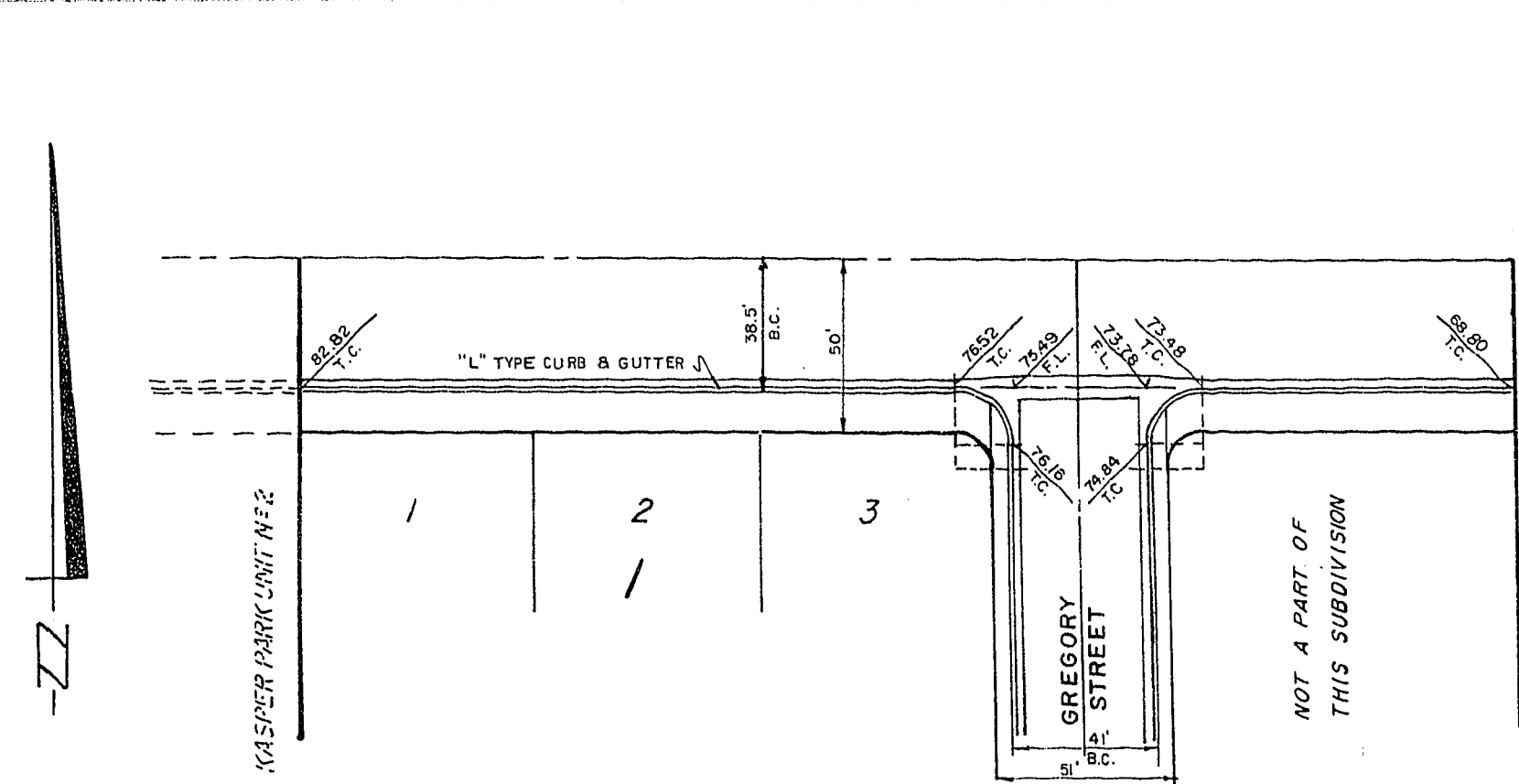
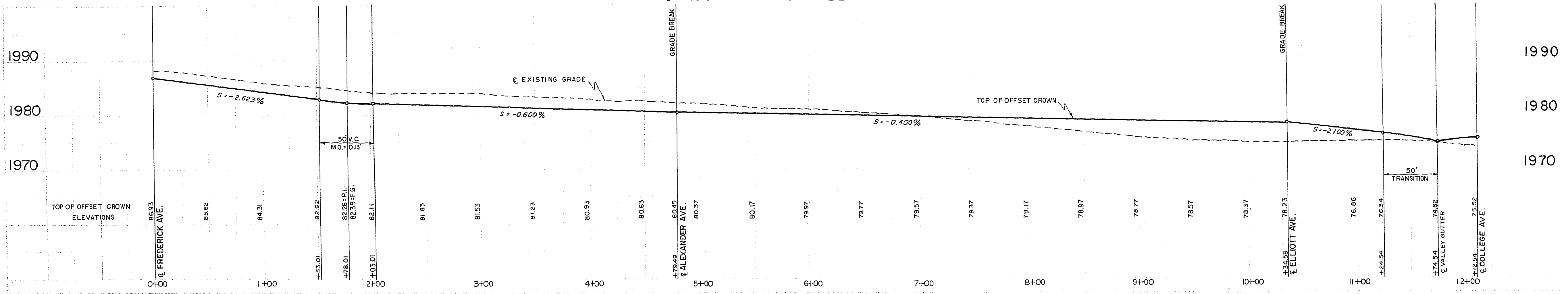


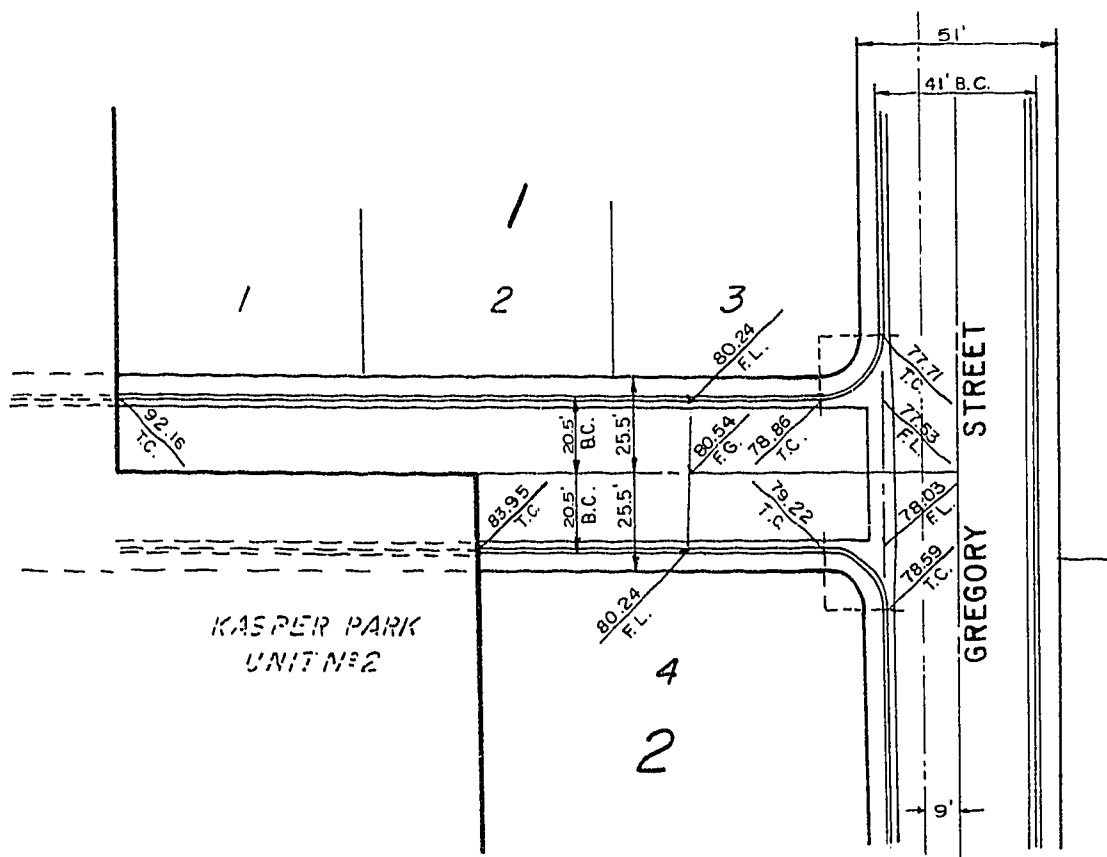
- NOTES-**
- 1 ALL WORK MUST CONFORM TO THE CITY OF LAS VEGAS STANDARD DRAWINGS AND SPECIFICATIONS
 - 2 STREET WIDTHS SHOWN ARE TO PROPERTY LINE AND BACK OF CURB
 - 3 BENCH MARK: LEAD PLUG AND R.E. 806 TAG ON CONCRETE SIDE AT SOUTH WEST CORNER OF INTERSECTION OF "D" STREET AND ALEXANDER AVENUE ELEVATION: 2024.64
 - 4 AREA BETWEEN BACK OF CURB AND PROPERTY LINE ON COLLEGE AVENUE TO HAVE 2" TYPE II AGGREGATE STERILIZED AGAINST PLANT GROWTH WITH LIQUID ASPHALT PENETRATION TREATMENT.
 - 5 BACK OF CURB RADIUS = 15.00'
 - 6 T⁺ INDICATES TOP OF CURB
 - 7 V.C. INDICATES VERTICAL CURVE
 - 8 ALL STREET CROWNS TO BE 0.3' UNLESS SHOWN OTHERWISE

OFFSET CROWN
4 CROSSFALL
-GREGORY STREET-

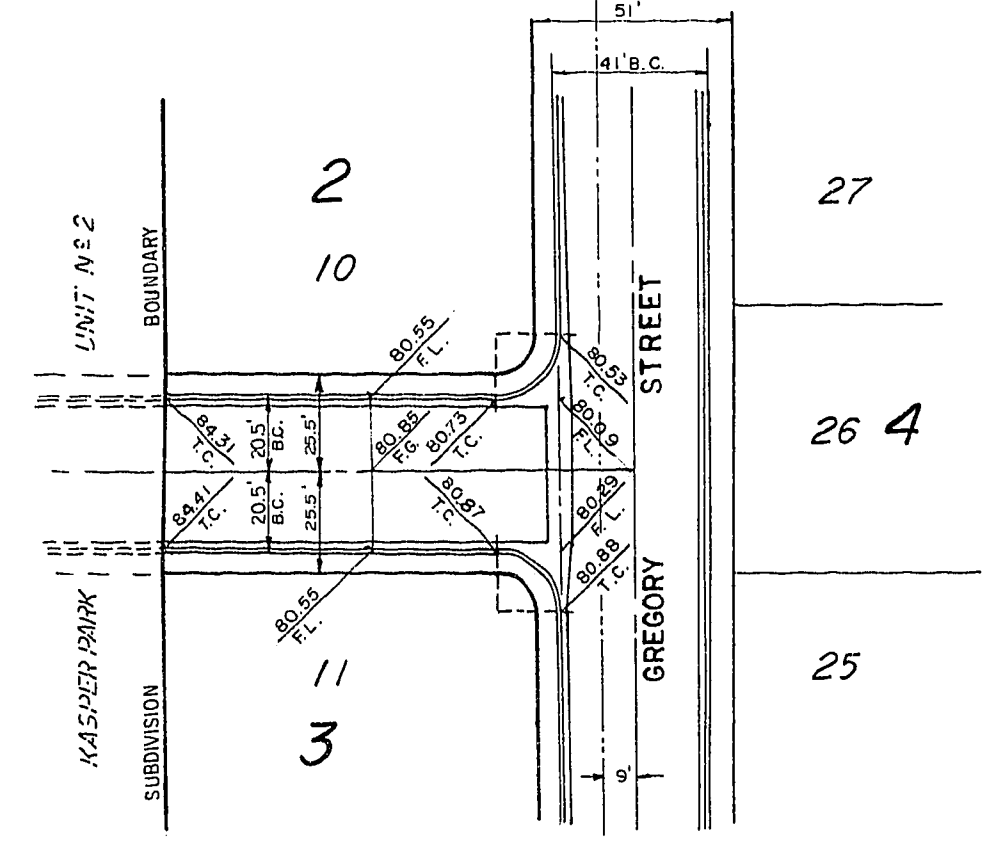
SCALE: HOR. 1"=50'
VERT. 1"=10'



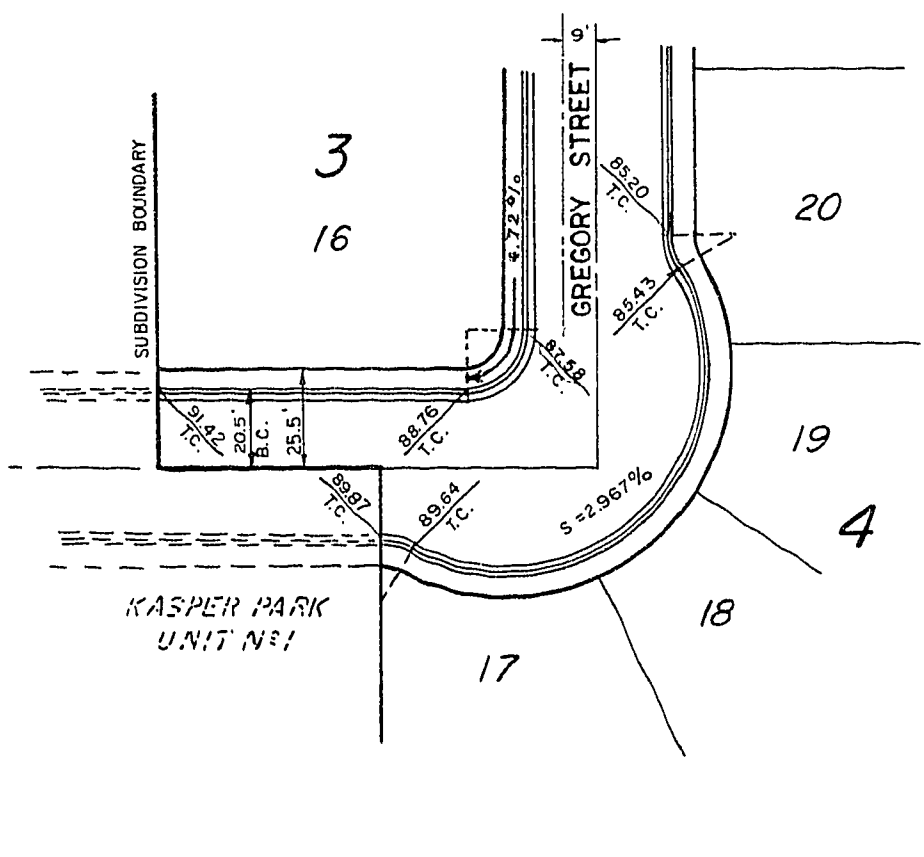
0.7' CROWN
-COLLEGE AVENUE-



-ELLIOTT AVENUE-



-ALEXANDER AVENUE-

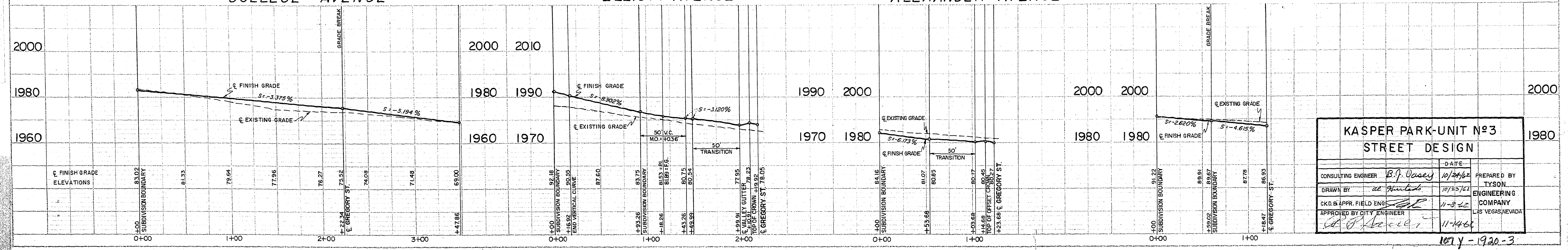


-FREDERICK AVENUE-

-ESTIMATE OF QUANTITIES-

2 1/2" A.C. PAVING	1407 SF.
2" A.C. PAVING	5625 SF.
CURB AND GUTTER	3218 LF.
CONCRETE SIDEWALK	14,689 SF.
VALLEY GUTTER	1,050 SF.

SCALE: HOR. 1"=50'
VERT. 1"=20'



KASPER PARK-UNIT #3 STREET DESIGN		DATE
CONSULTING ENGINEER	<i>B.J. Vasey</i>	10/24/62
PREPARED BY	TYSON	
DRAWN BY	<i>ac</i>	10/25/61
CHECKED BY	<i>[Signature]</i>	11-3-62
APPROVED BY CITY ENGINEER	<i>[Signature]</i>	11-14-62