

MANHOLE No. 1
STA. 0 + 36.00

MANHOLE (Existing)
STA. 0 + 36.00

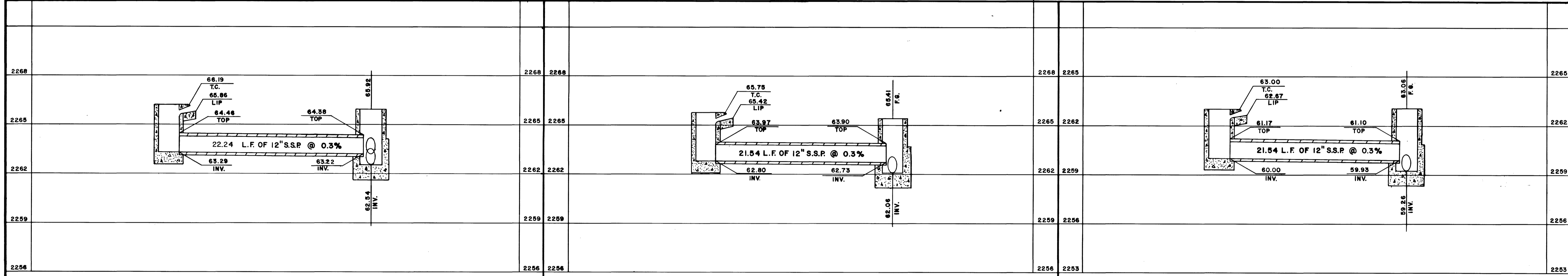
STA. 132 + 37.72

STA. 152 + 25.72

EXISTING UTILITIES ARE LOCATED ON THE PLANS FOR THE CONVENIENCE OF THE CONTRACTOR ONLY. THE CONTRACTOR SHALL BEAR FULL RESPONSIBILITY FOR PROTECTION OF UTILITIES AND THE CITY BEARS NO RESPONSIBILITY FOR UTILITIES NOT SHOWN ON THE PLANS OR NOT IN THE LOCATION SHOWN ON THE PLANS.

CONTRACT DRAWING
FEB 2 1979

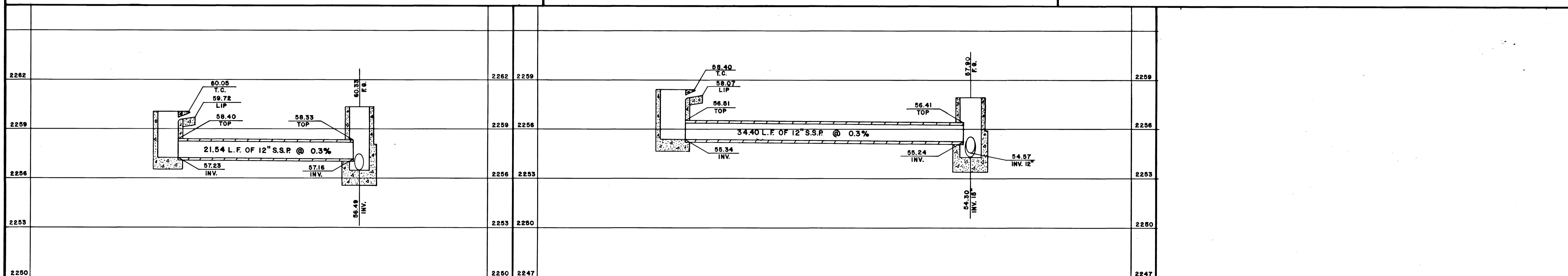
Scale (V) 1" = 3'	W.O. no. 7694
Scale (H) 1" = 6'	Date
Fid. bk. no. 75-4-X	Design by C. KREHNOVI
Drawn by S. NORATH	Approved by the Director of Public Services
Date 12/1/78	Date 12/1/78



DROP INLET TYPE 2 **MANHOLE No. 34**
STA. 132 + 28.00 STA. 132 + 37.72

DROP INLET TYPE 2 **MANHOLE No. 35**
STA. 133 + 89.50 STA. 133 + 97.50

DROP INLET TYPE 2 **MANHOLE No. 38**
STA. 143 + 23.05 STA. 143 + 31.05



DROP INLET TYPE 2 **MANHOLE No. 41**
STA. 152 + 59.52 STA. 152 + 67.52

DROP INLET TYPE 2 **MANHOLE No. 43**
STA. 158 + 66.01 STA. 158 + 94.00

Engineering Design Division
STORM DRAIN LATERAL DETAILS

Department of Public Services
JONES BLVD.
CHARLESTON BLVD.
To
SMOKE RANCH RD.



23655

22-4-95