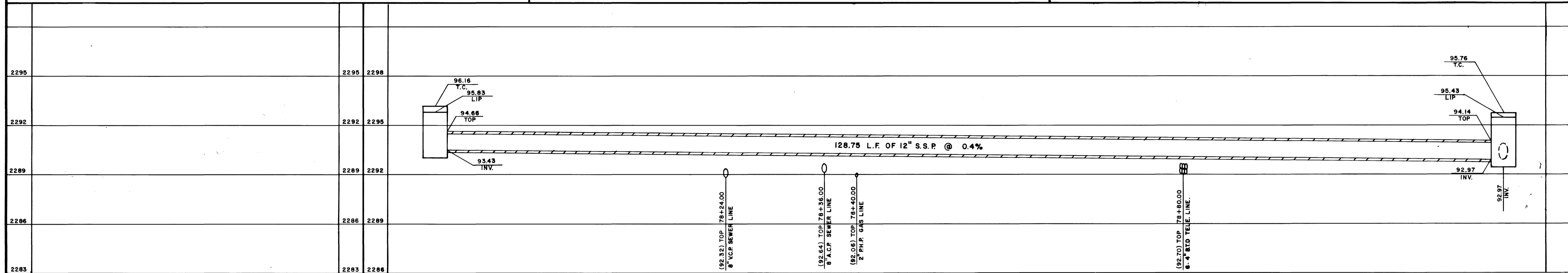


DROP INLET TYPE 2
MANHOLE No. 19
 STA. 38+92.87

DROP INLET TYPE 2
MANHOLE No. 21
 STA. 71+04.12

DROP INLET TYPE 2
MANHOLE No. 22
 STA. 73+55.09

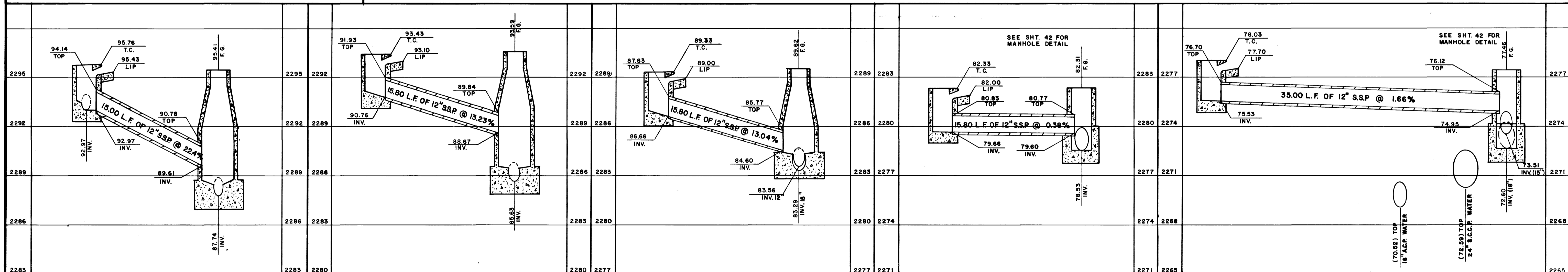


DROP INLET TYPE 2
 STA. 77+89.40

CONFIDENTIAL
 FEB 2 1977

EXISTING UTILITIES ARE LOCATED ON THE PLANS FOR THE CONVENIENCE OF THE CONTRACTOR ONLY. THE CONTRACTOR SHALL BE RESPONSIBLE FOR PROTECTING ALL UTILITIES AND THE CITY BEARS NO RESPONSIBILITY FOR DAMAGES NOT SHOWN ON THE PLANS OR NOT IN THE LOCATION SHOWN ON THE PLANS.

DROP INLET TYPE 2
 STA. 79+18.15



DROP INLET TYPE 2
MANHOLE No. 25
 STA. 79+18.15

DROP INLET TYPE 2
MANHOLE No. 27
 STA. 85+15.00

DROP INLET TYPE 2
MANHOLE No. 29
 STA. 92+06.50

DROP INLET TYPE 2
MANHOLE No. 31
 STA. 99+00.00

DROP INLET TYPE 2
MANHOLE No. 33
 STA. 106+04.26

Scale (h) 1" = 6'	Scale (v) 1" = 3'	W.O. no. 7694
Fid. bk. no. 75-4X	Date	Drawn by P. WHITE
Design by C. KREHNOVI	Approved by the Director of Public Services	Date 12/1/75

Engineering Design Division
 STORM DRAIN
 LATERAL DETAILS

Department of Public Services
 JONES BLVD.
 CHARLESTON BLVD.
 To
 SMOKE RANCH RD.

Drawing no. 107-V948A 38/68

23654

22-4-94