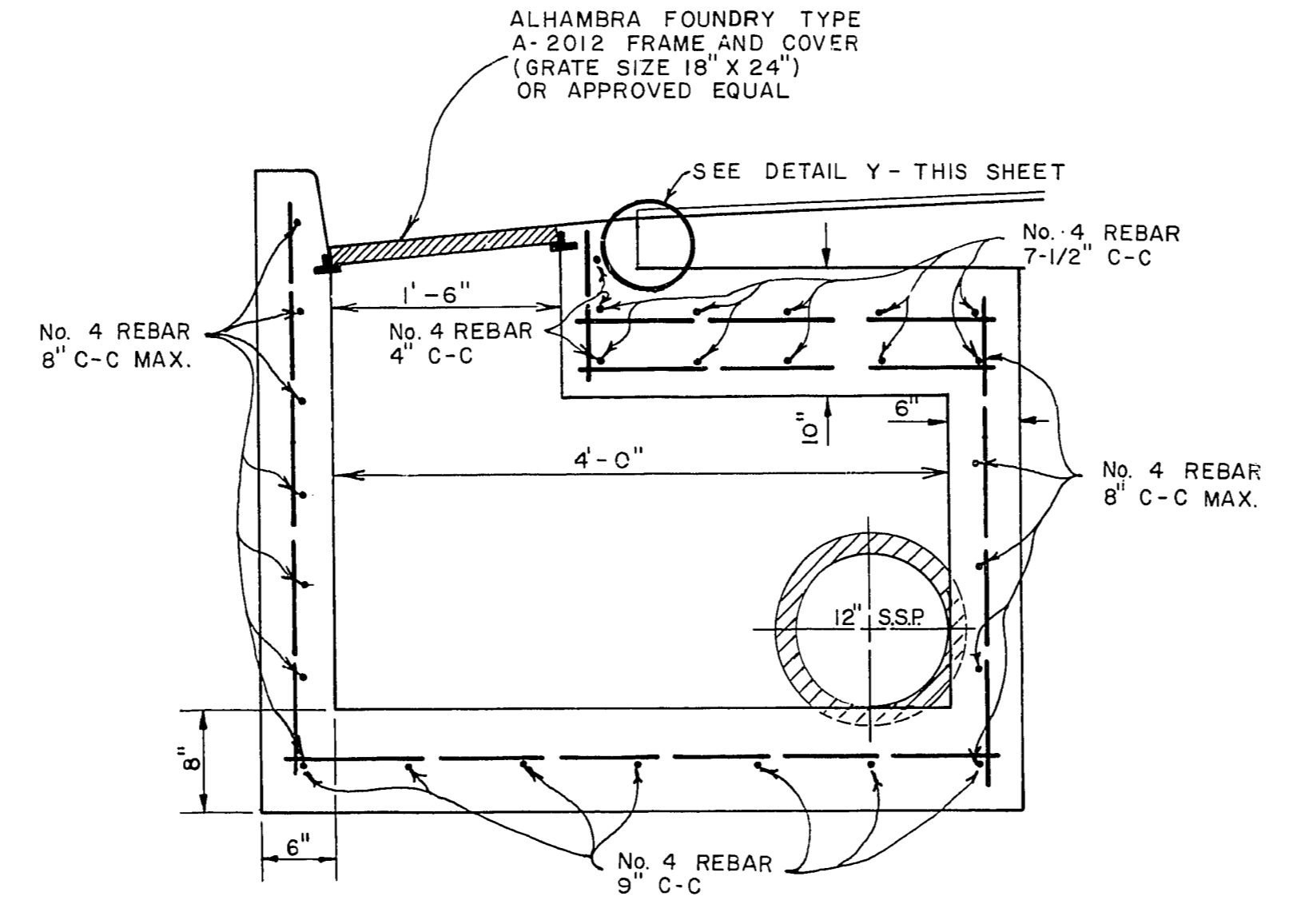
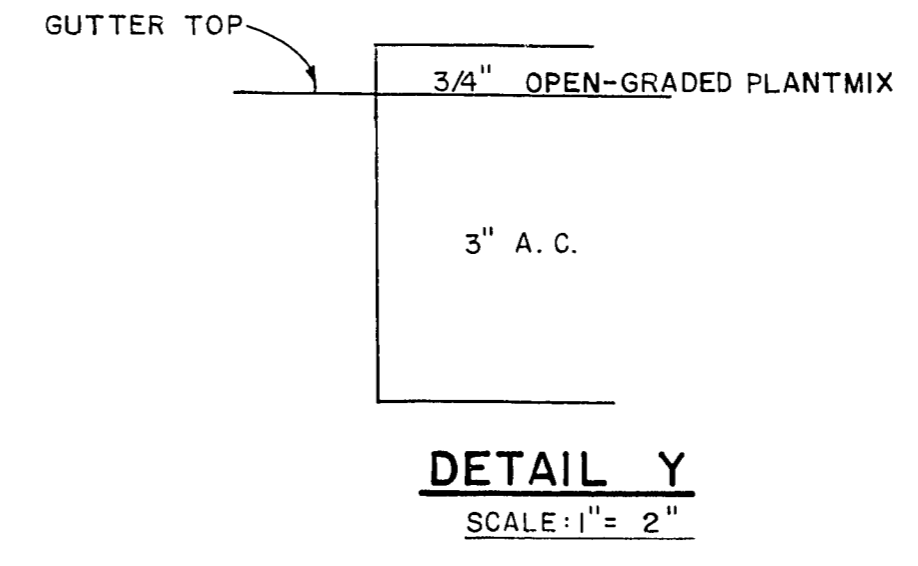


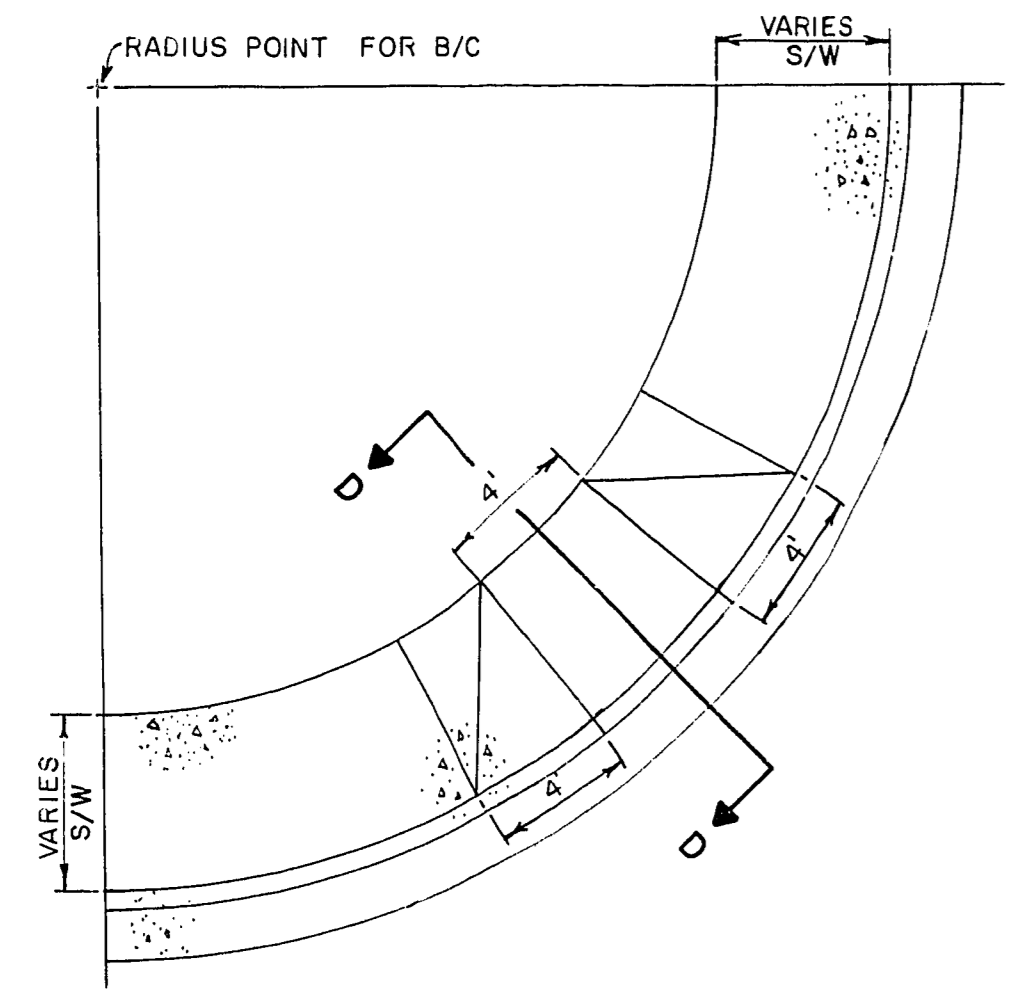
DROP INLET TYPE 3 DETAIL
SCALE: 1" = 1'



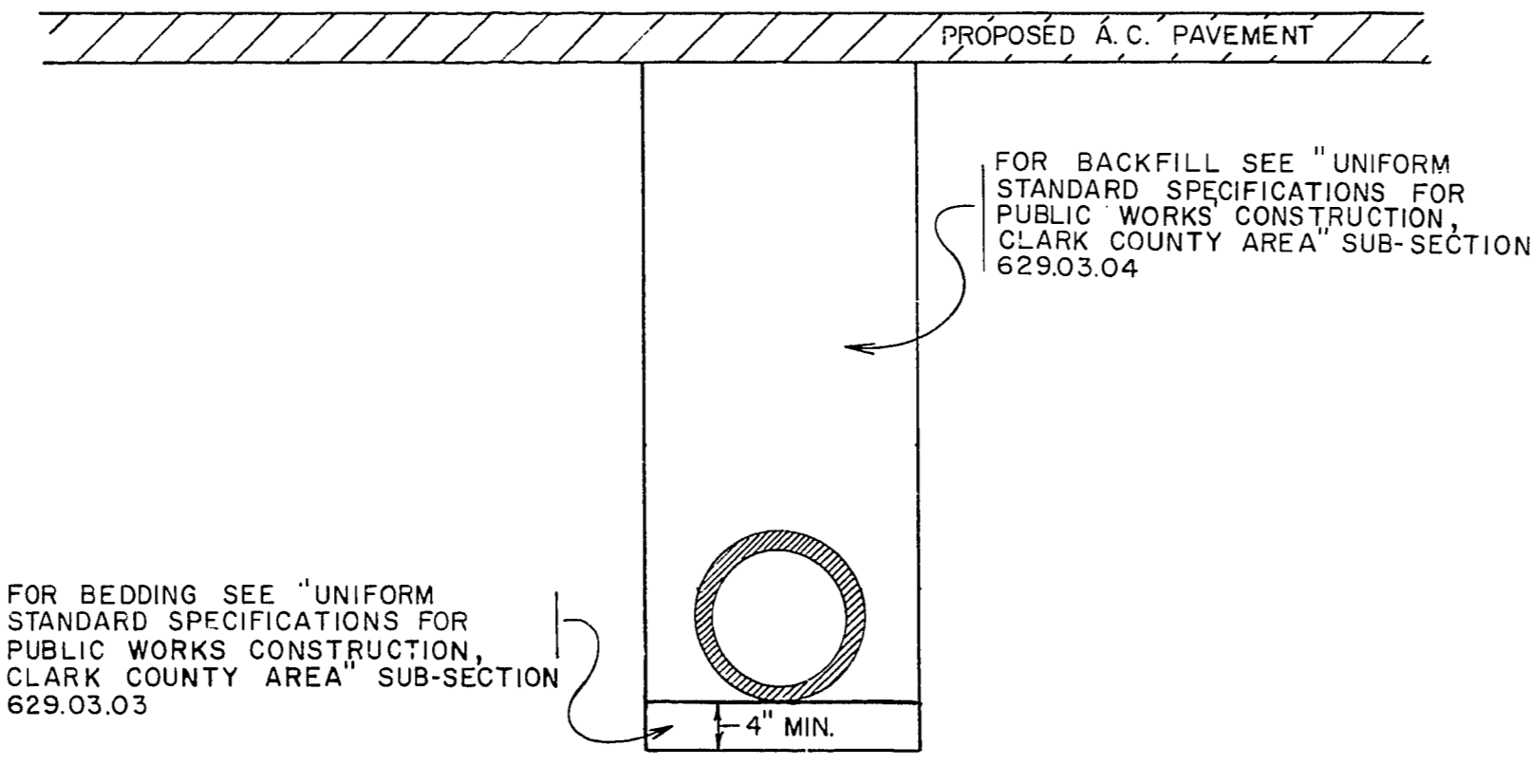
SECTION C-C
SCALE: 1" = 1'



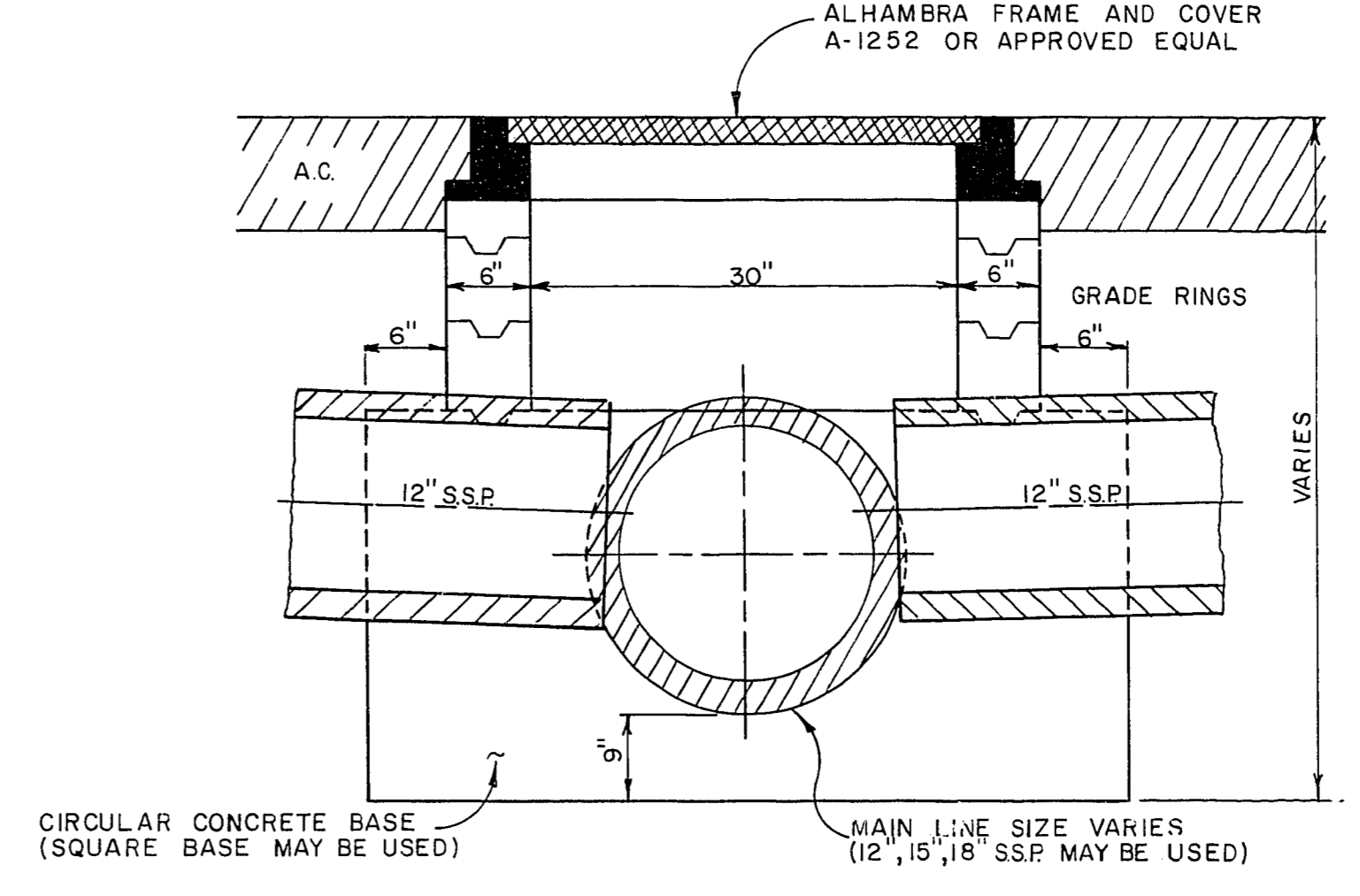
DETAIL Y
SCALE: 1" = 2"



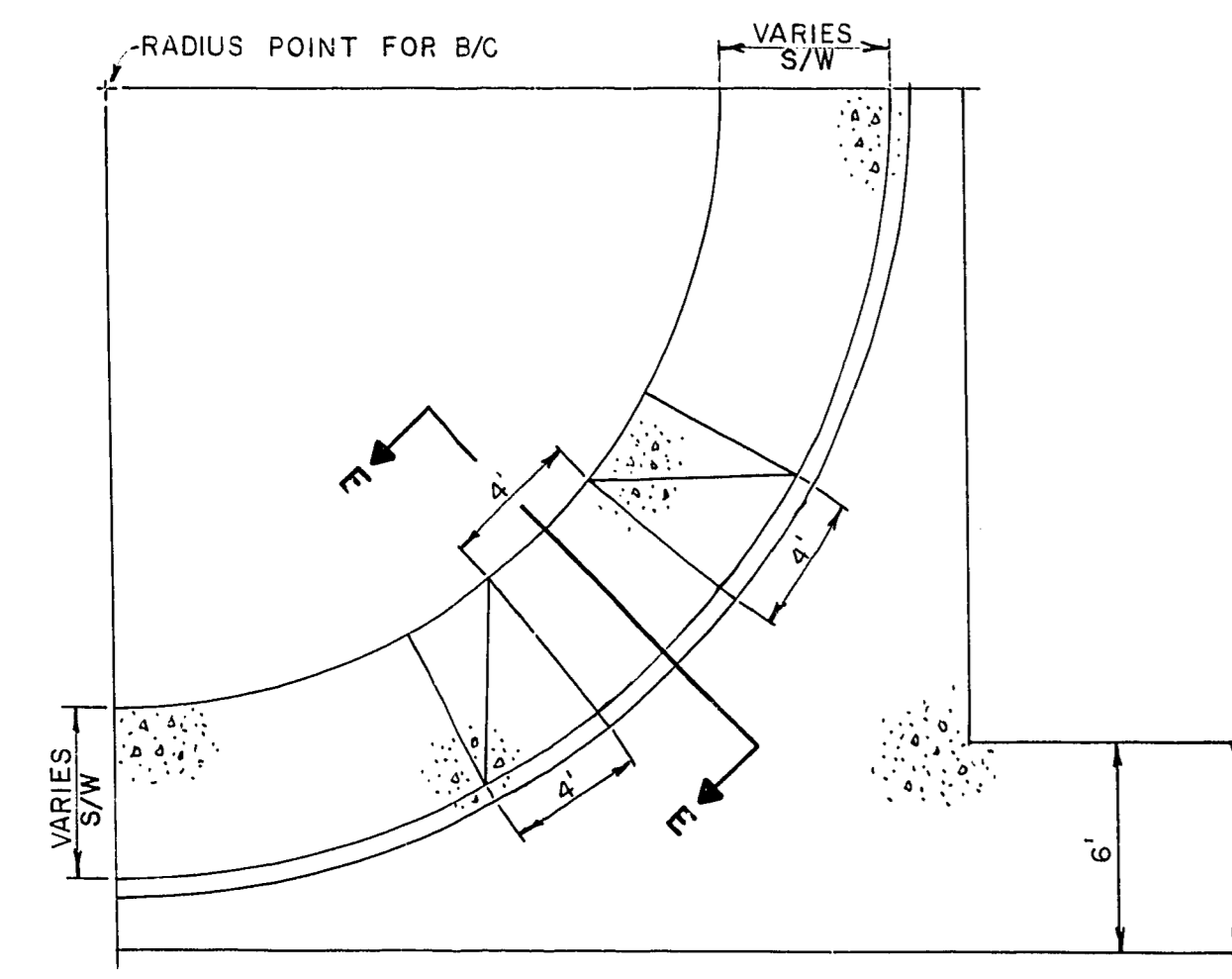
WHEEL CHAIR RAMP DETAIL
SCALE: 3/16" = 1'



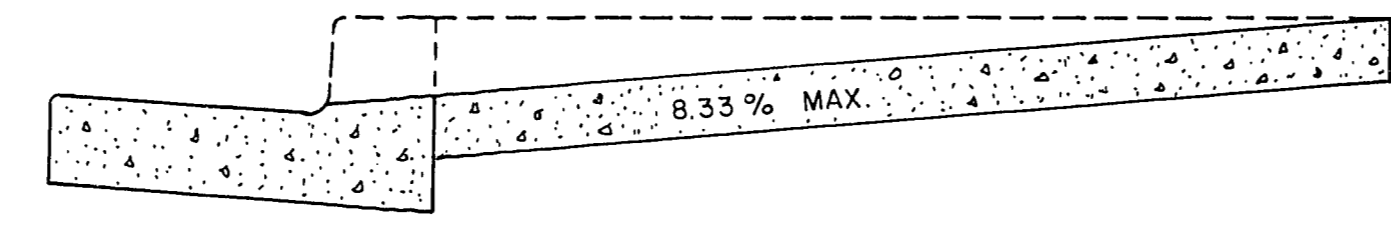
TRENCHING DETAIL
NO SCALE



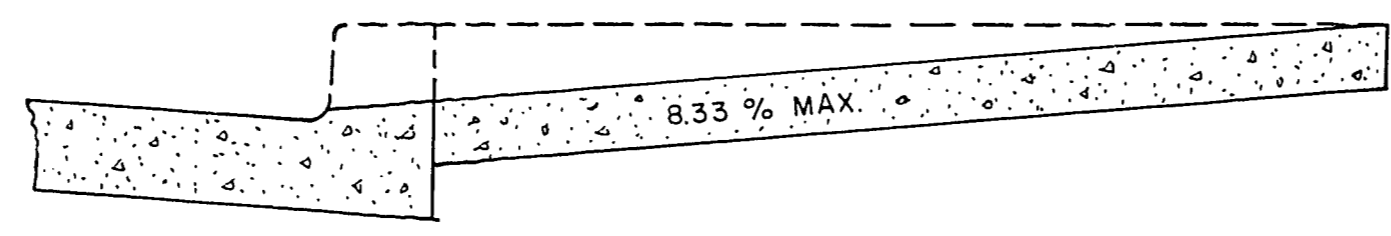
30 INCH I.D. STORM DRAIN MANHOLE
SCALE: 1" = 1'



WHEEL CHAIR RAMP WITH VALLEY GUTTER DETAIL
SCALE: 3/16" = 1'



SECTION D-D
SCALE: 1/2" = 1'



SECTION E-E
SCALE: 1/2" = 1'

Capitol
12/1/76

Department of Public Services		Engineering Design Division		W.O. no. 7694	Revisions	Date
JONES BLVD. CHARLESTON BLVD. To SMOKE RANCH ROAD		STORM DRAIN, TRENCHING AND WHEEL CHAIR RAMP DETAILS		Scale (h) As Shown Fid. bk. no. 75-4X 74-9XA Date	Scale (v) As Shown	Date
				Design by C. KREHNOVI	Drawn by P. WHITE	Date
				Approved by the Director of Public Services <i>William J. ...</i> 12/1/76		
Drawing no. 107-V948A		41		68		