

LEGEND

	R/W	RIGHT-OF-WAY		MANHOLE
	E.O.P.	EDGE OF PAVEMENT		STREET LIGHT
	CL	CENTER LINE		UTILITY POLE
		NEW TRENCH/BORE		TRAFFIC SIGNAL
		EXISTING POWER CONDUIT		POWER CABINET
	W	WATER LINE		EXISTING STREET LIGHT VAULT
	S	SEWER LINE		17x30 VAULT & POWER SERVICE DISCONNECT
	G	GAS LINE		

DETAIL INFORMATION

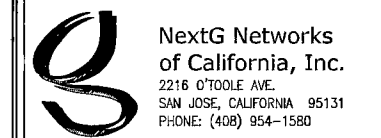
NEW UG CONSTRUCTION

272' OF 2-1" HDPE INNERDUCT IN FIBER TRENCH

TOTAL NEW FIBER TRENCH FOOTAGE - 272'

BILL OF MATERIALS

EQUIPMENT	DESCRIPTION		QUANTITY
EQUIPMENT CABINETS	17x30 VAULT		1
CONDUIT	1" HDPE INNERDUCT - (FIBER)		544'



PROJECT INFORMATION:

SPR1009NV-SUMN010
LAS VEGAS, NV 89134

CURRENT ISSUE DATE:

03/16/2010

PERMIT SUBMISSION:

REV. DATE: DESCRIPTION: BY:

REV. DATE	DESCRIPTION	BY

PLANS BY:



REP:

COMMENTS:

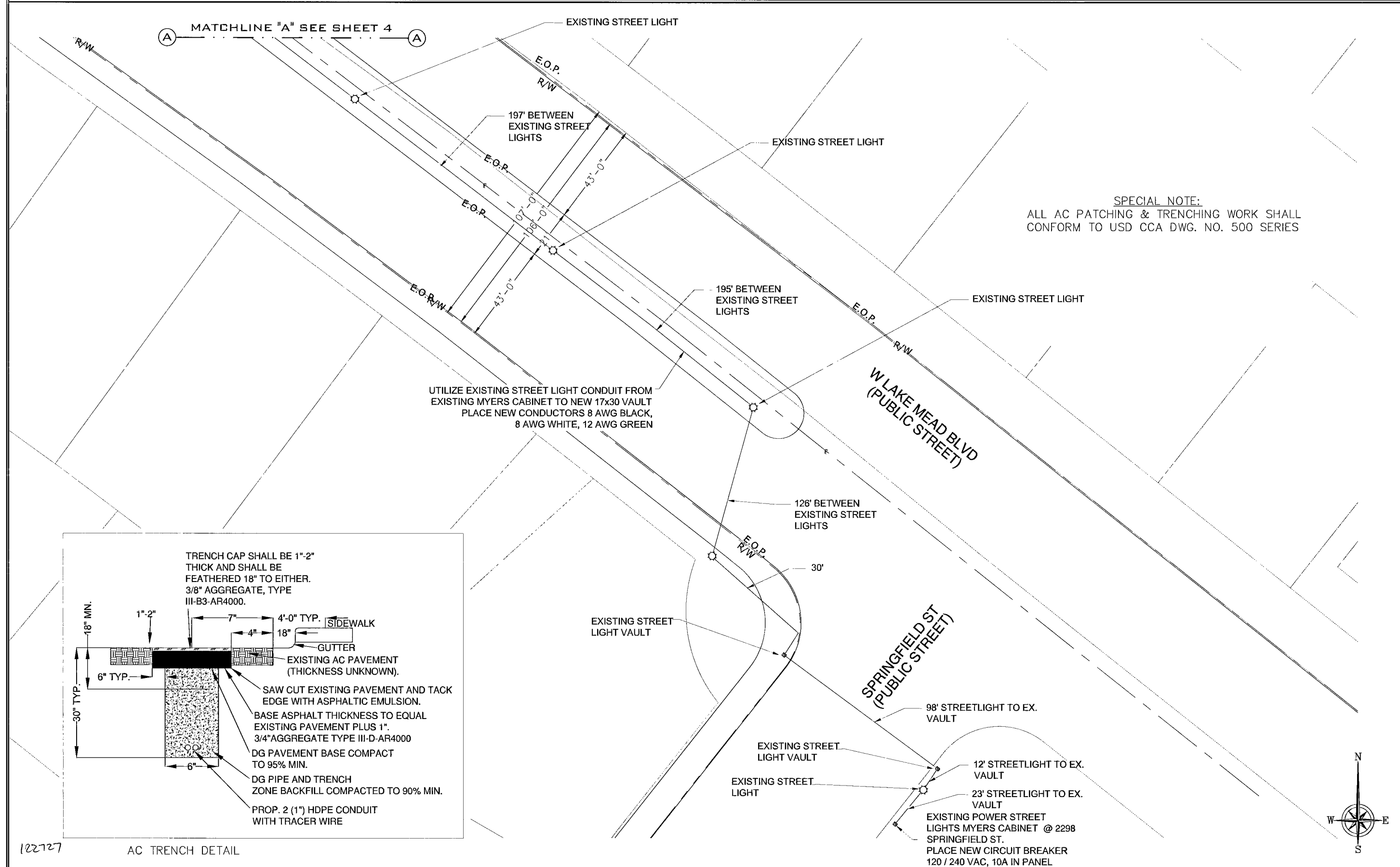
37679
1070 5431-TEL

SHEET TITLE:

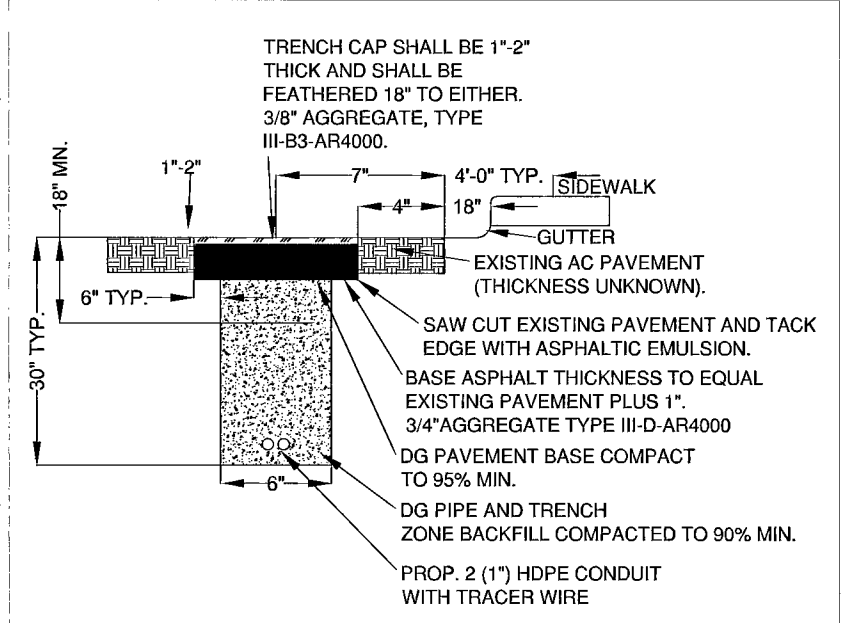
NODE CONSTRUCTION DESIGN

SHEET NUMBER: REVISION:

3 3 OF 8



SPECIAL NOTE:
ALL AC PATCHING & TRENCHING WORK SHALL CONFORM TO USD CCA DWG. NO. 500 SERIES



122727

AC TRENCH DETAIL

NODE CONSTRUCTION DESIGN

SCALE: NO SCALE