

LEGEND	
--- R/W ---	RIGHT-OF-WAY
--- E.O.P. ---	EDGE OF PAVEMENT
--- C ---	CENTER LINE
---	NEW TRENCH/BORE
---	EXISTING POWER CONDUIT
--- W ---	WATER LINE
--- S ---	SEWER LINE
--- G ---	GAS LINE
○	MANHOLE
⊙	STREET LIGHT
⊗	UTILITY POLE
○	TRAFFIC SIGNAL
⊠	POWER CABINET
⊠	EXISTING STREET LIGHT VAULT
⊠	17x30 VAULT # POWER SERVICE DISCONNECT

DETAIL INFORMATION

NEW UG CONSTRUCTION

33' OF 2-1" HDPE INNERDUCT IN FIBER TRENCH

TOTAL NEW FIBER TRENCH FOOTAGE - 33'

BILL OF MATERIALS		
EQUIPMENT	DESCRIPTION	QUANTITY
EQUIPMENT CABINETS	17x30 VAULT	1
CONDUIT	1" HDPE INNERDUCT - (FIBER)	66'

NextG Networks of California, Inc.
2216 O'TOOLE AVE.
SAN JOSE, CALIFORNIA 95131
PHONE: (408) 954-1580

PROJECT INFORMATION:

SPR1009NV-SUMN041
LAS VEGAS, NV 89117

CURRENT ISSUE DATE:

03/13/2010

PERMIT SUBMISSION:

REV.: DATE: DESCRIPTION: BY:

REV.	DATE	DESCRIPTION	BY

PLANS BY:

NextG Networks of California, Inc.

REP:

COMMENTS:

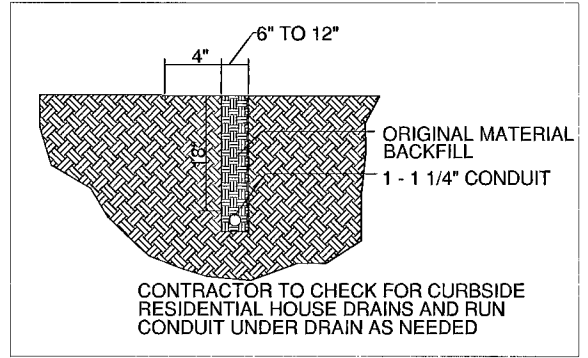
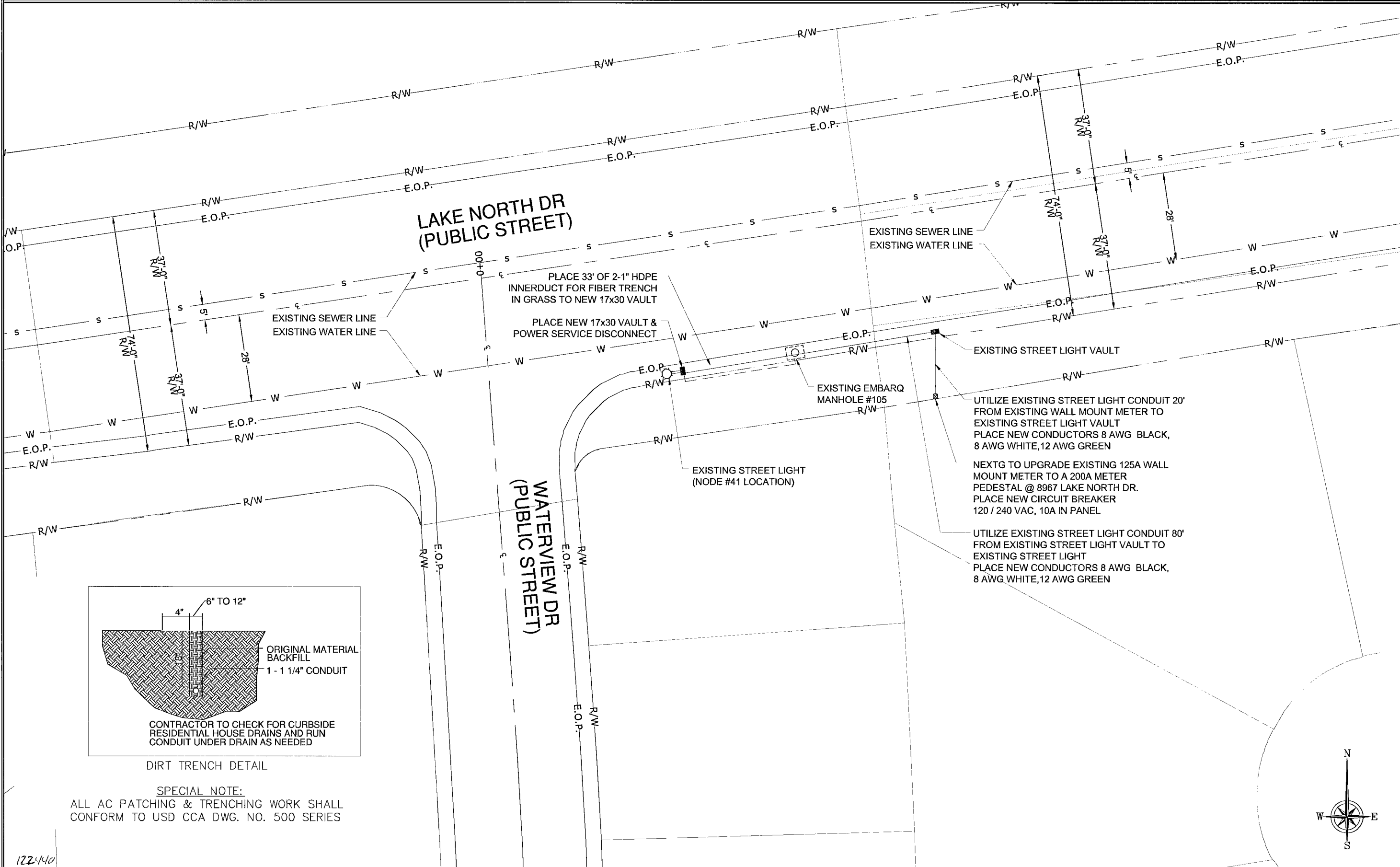
48 37512
DWG# 10705401-T&L

SHEET TITLE:

NODE CONSTRUCTION DESIGN

SHEET NUMBER: REVISION:

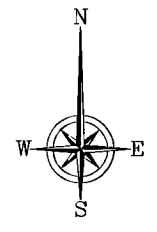
3 3 OF 6



SPECIAL NOTE:
ALL AC PATCHING & TRENCHING WORK SHALL CONFORM TO USD CCA DWG. NO. 500 SERIES

122440

NODE CONSTRUCTION DESIGN



SCALE:
NO SCALE