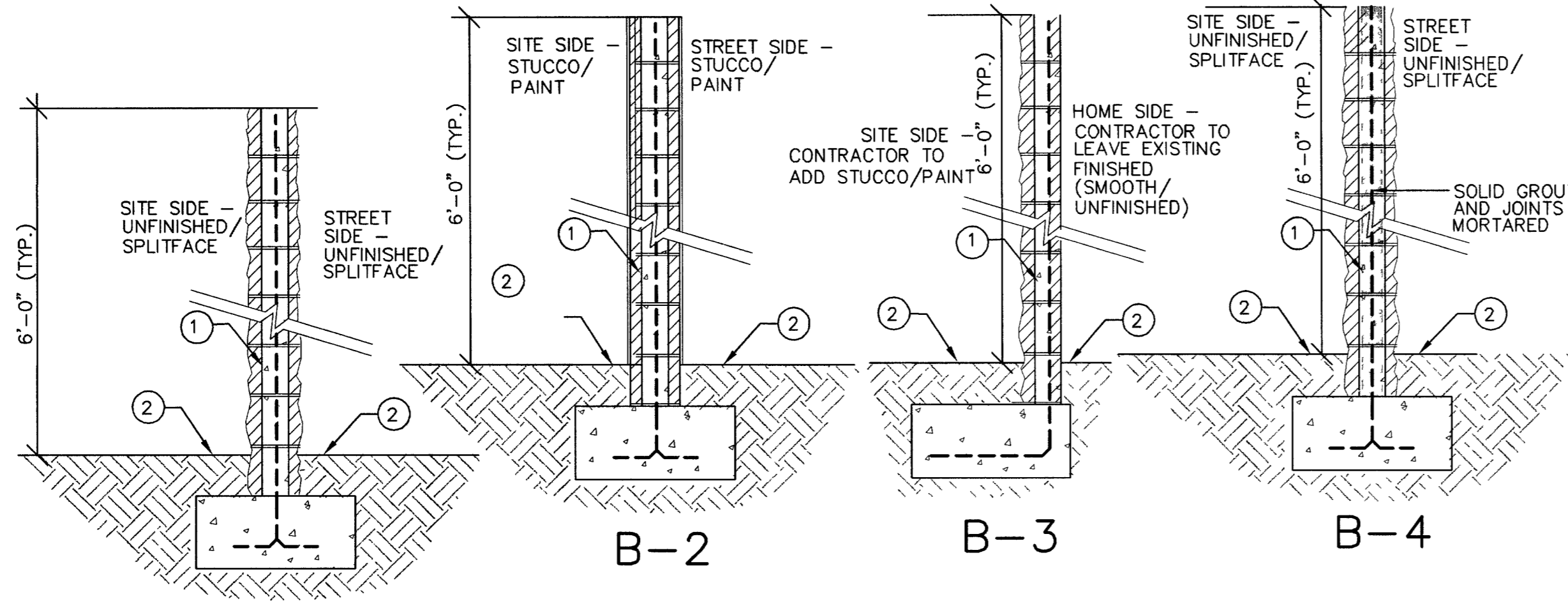
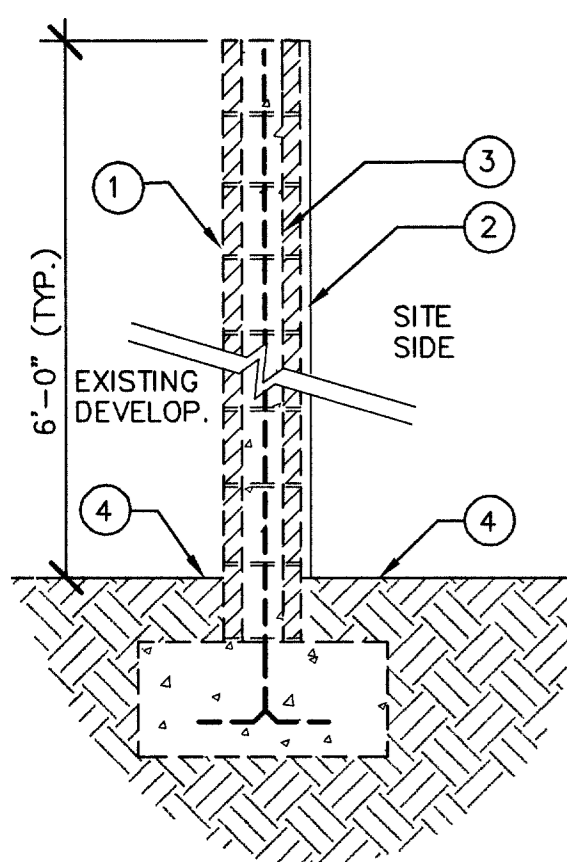


**LEGEND**

1. UNFINISHED CMU BLOCK ON EXISTING DEVELOPMENT SIDE.
2. STUCCO FINISH ON SITE SIDE.
3. 6"x8"x16" CMU BLOCK.
4. FINISH GRADE.



NOTE: DECORATIVE BLOCK WALL WITH 20% CONTRASTING MATERIAL AND CAP.  
 NOTE: REFER TO STRUCTURAL PLANS & SOILS REPORT FOR FOOTING & REINFORCING STEEL DESIGN FOR THE PERIMETER WALL.

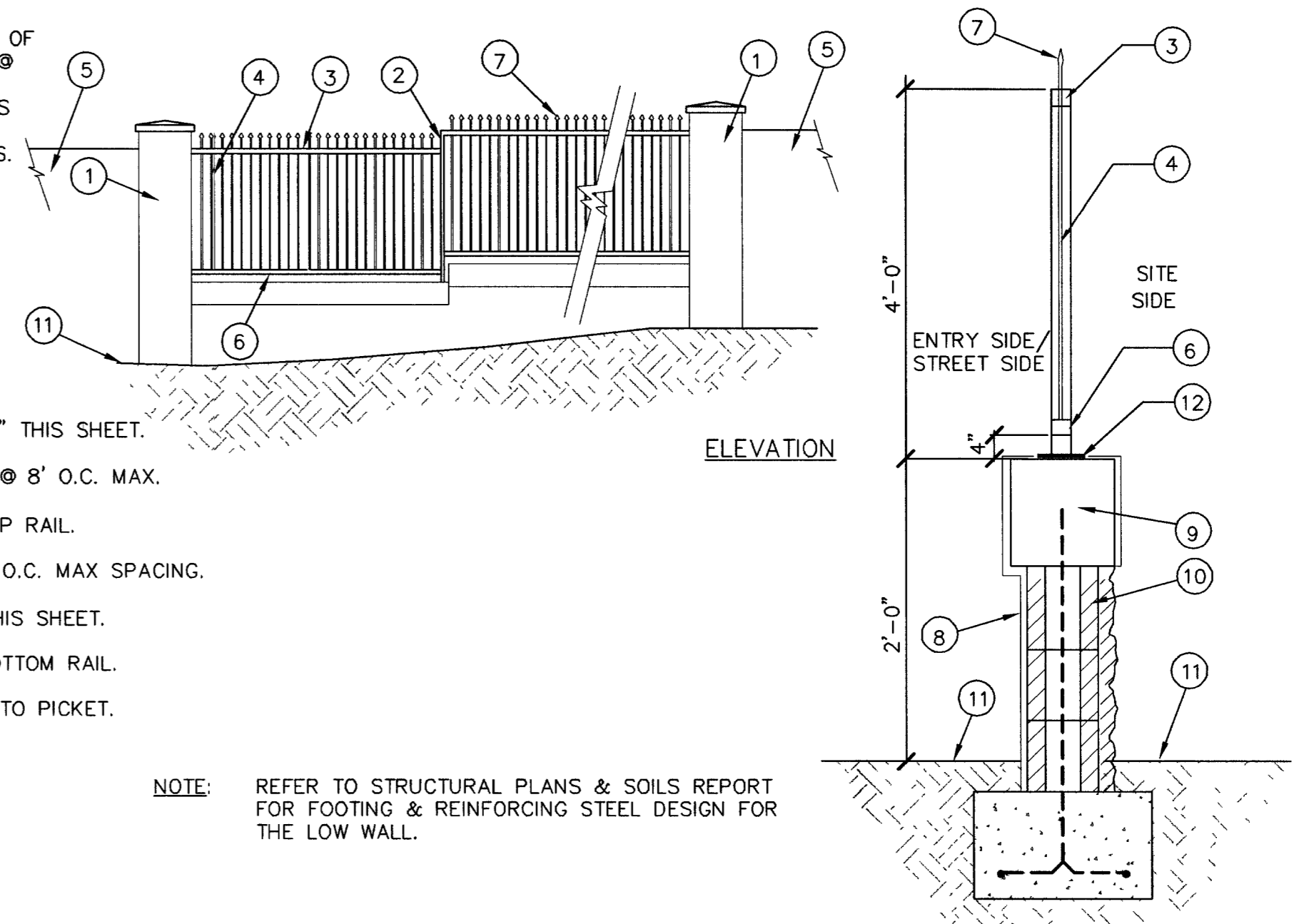
**LEGEND**

1. 6"x8"x16" CMU BLOCK.
2. FINISH GRADE.

**LEGEND**

1. PERIMETER PILASTER PER DETAIL "D" THIS SHEET.
2. 2" SQUARE TUBULAR STEEL POSTS @ 8' O.C. MAX.
3. 1-1/4" SQUARE TUBULAR STEEL TOP RAIL.
4. 5/8" SQUARE STEEL PICKETS @ 4" O.C. MAX SPACING.
5. PERIMETER WALL PER DETAIL "B" THIS SHEET.
6. 1-1/4" SQUARE TUBULAR STEEL BOTTOM RAIL.
7. 217 WB CAST IRON SPEAR WELDED TO PICKET.
8. STUCCO FINISH.
9. 8"x8"x16" CMU.
10. 6"x8"x16" SPLIT FACE CMU BLOCK.
11. FINISH GRADE.
12. 4X4 PLATE W/ (4) 1/4" ANCHORS.

NOTE: STEPPING OF FENCING @ EQUAL DISTANCES BETWEEN PILASTERS.

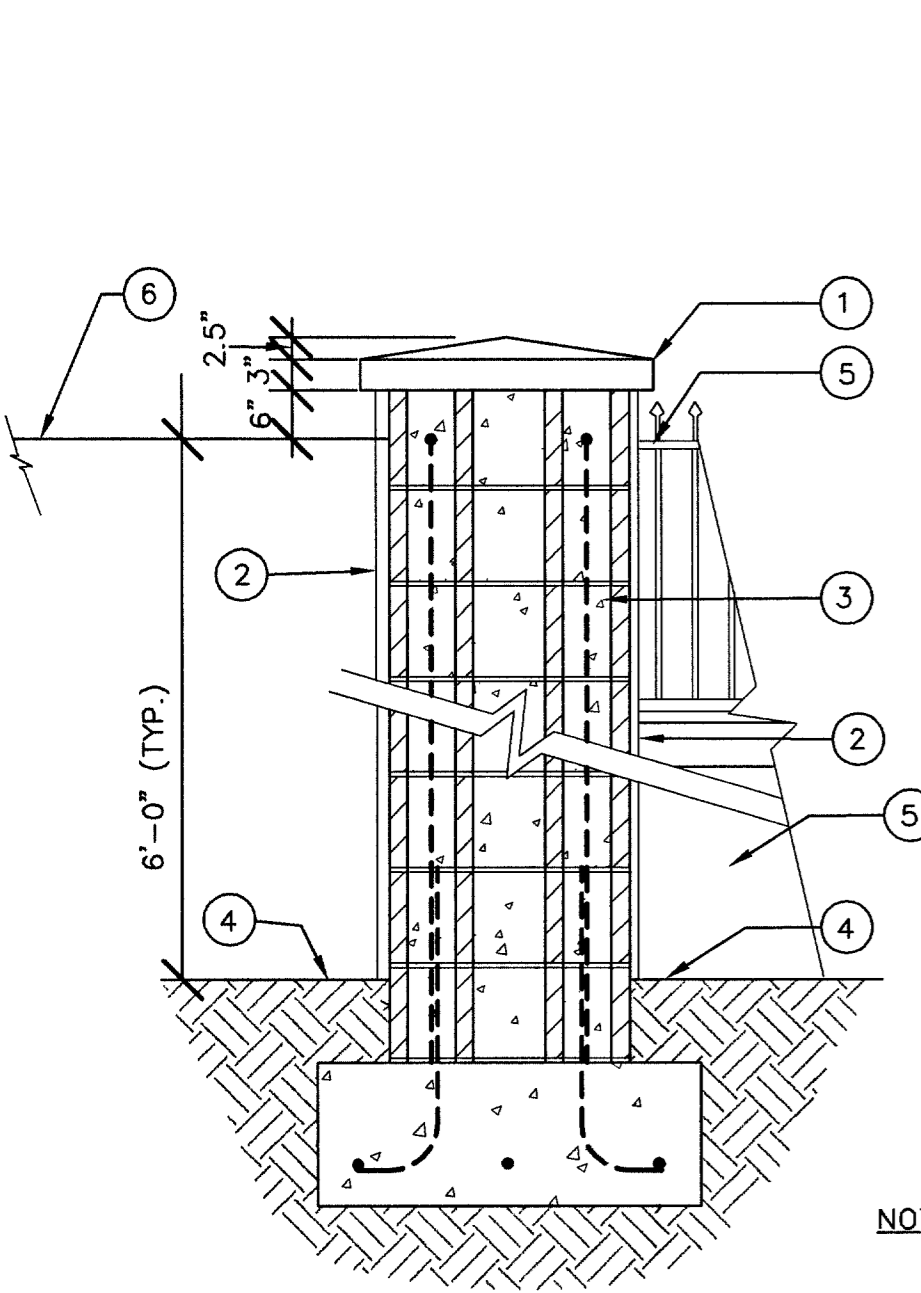


NOTE: REFER TO STRUCTURAL PLANS & SOILS REPORT FOR FOOTING & REINFORCING STEEL DESIGN FOR THE LOW WALL.

(A) EX. PERIMETER WALL

(B) PERIMETER WALL

(C) LOW WALL W/ WROUGHT IRON FENCE

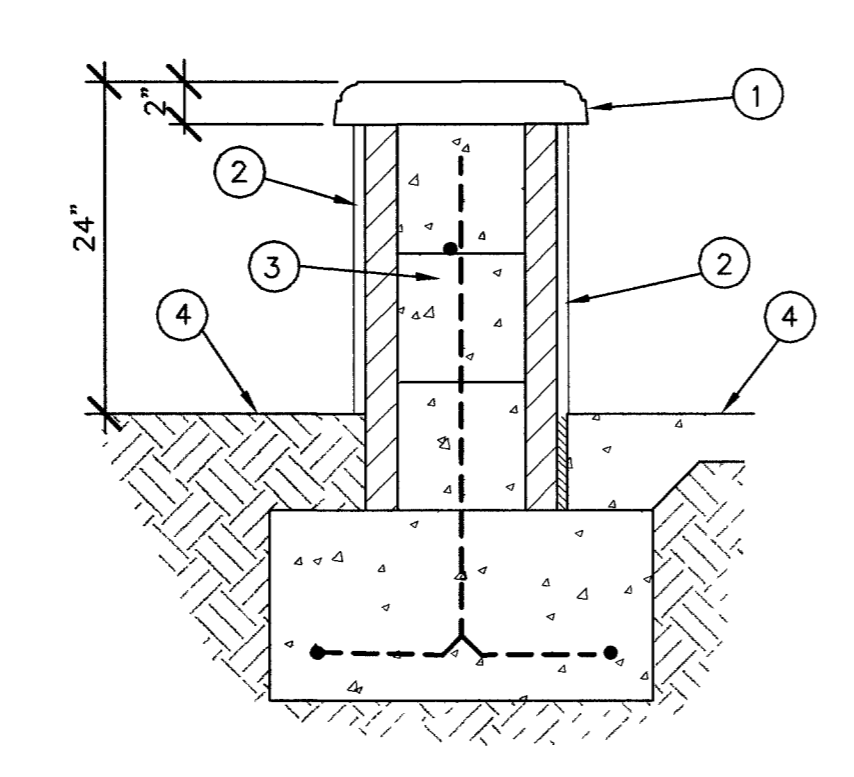


**LEGEND**

1. 36" SQUARE PYRAMID FOAM CAP W/ STUCCO FINISH.
2. STUCCO FINISH.
3. 8"x8"x16" CMU BLOCK.
4. FINISH GRADE.
5. LOW WALL W/ WROUGHT IRON FENCE PER DETAIL "C" THIS SHEET.
6. PERIMETER WALL PER DETAIL "B" THIS SHEET.

NOTE: REFER TO STRUCTURAL PLANS & SOILS REPORT FOR FOOTING & REINFORCING STEEL DESIGN FOR THE PERIMETER PILASTER.

(D) PERIMETER PILASTER

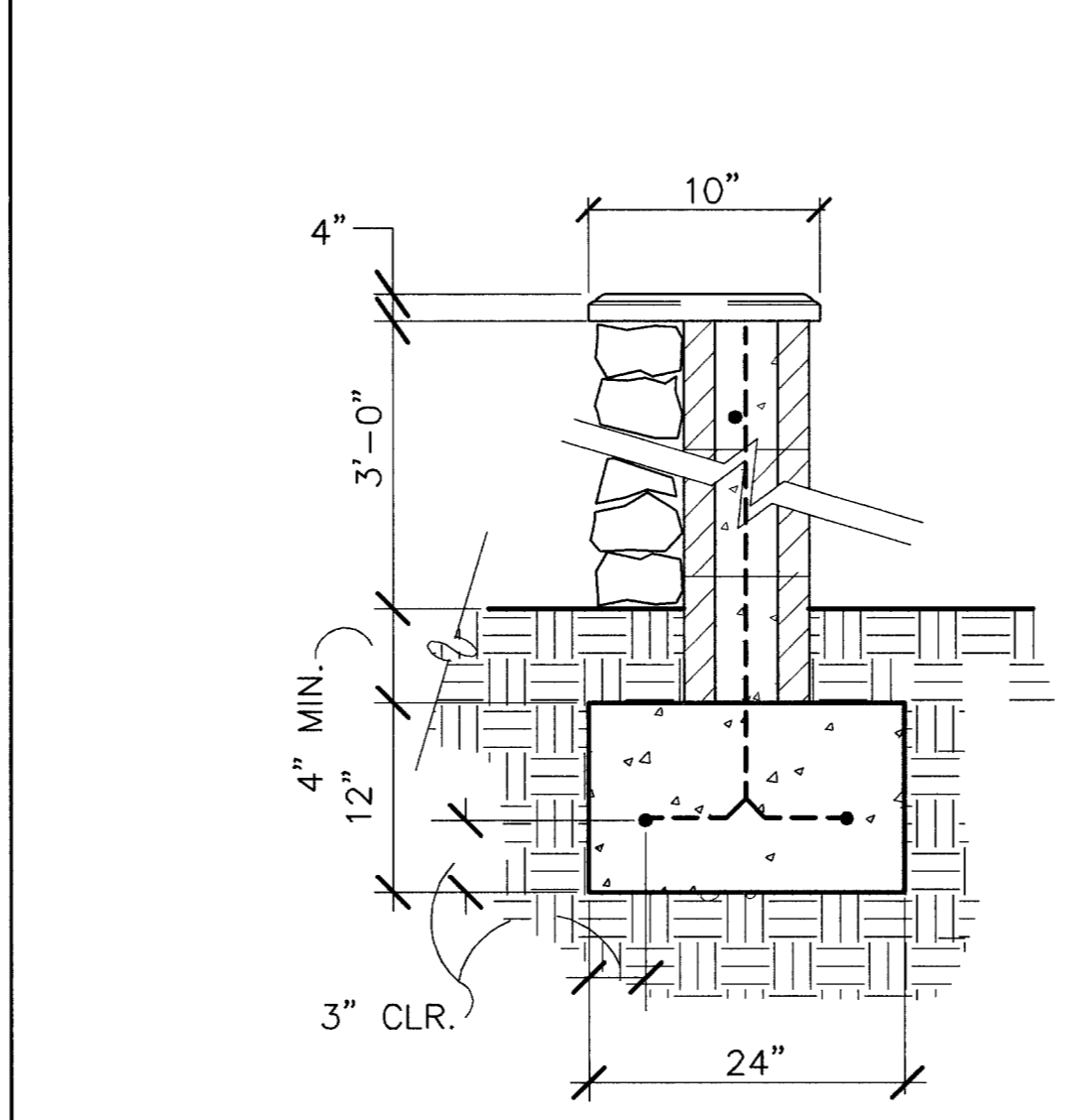


**LEGEND**

1. 12" CONCRETE WALL CAP BY NEVADA PRECAST INC. (702) 564-4855
2. STUCCO FINISH.
3. 12"x8"x16" CMU BLOCK.
4. FINISH GRADE / FINISH SURFACE.

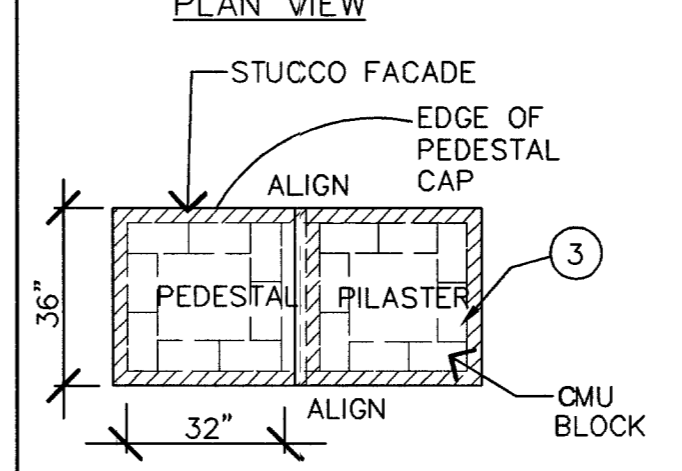
NOTE: REFER TO STRUCTURAL PLANS & SOILS REPORT FOR FOOTING & REINFORCING STEEL DESIGN FOR THE STUCCO SEAT WALL.

(E) STUCCO SEAT WALL



NOTE: REFER TO STRUCTURAL PLANS & SOILS REPORT FOR FOOTING & REINFORCING STEEL DESIGN FOR THE LOW WALL.

(F) ENTRY LOW WALL

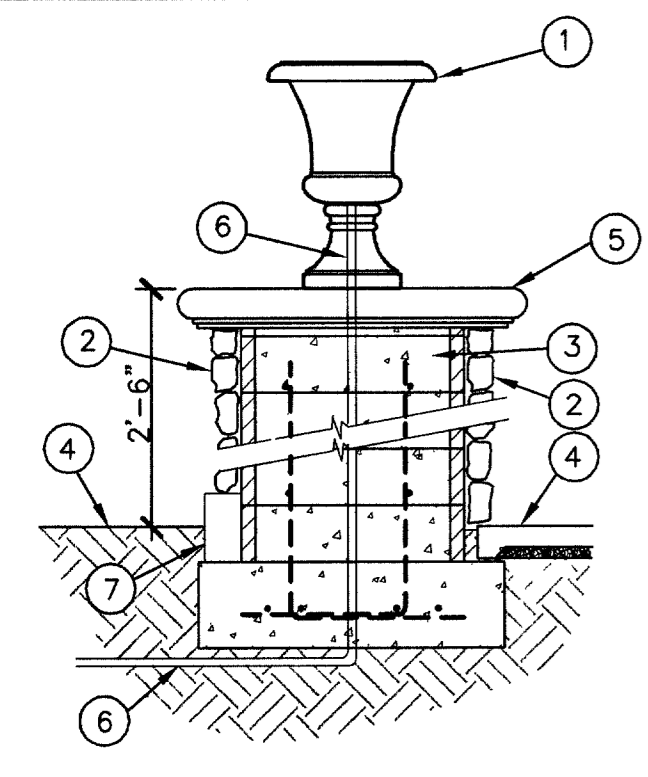


**LEGEND**

1. 36" SQUARE PYRAMID FOAM CAP W/ STUCCO FINISH.
2. STUCCO FINISH.
3. 8"x8"x16" CMU BLOCK.
4. FINISH GRADE.
5. 36" DIA. LOW BOWL BY NEVADA PRECAST STONE INC. (702) 564-4855
6. IRRIGATION & DRAIN OUTLET LINE. OUTLET TO A 2 CU.FT. GRAVEL SUMP. USE 2" PVC SCH 40 DRAIN LINE W/ IRRIGATION TUBING WITHIN.
7. 36" PRECAST CONCRETE PEDESTAL CAP BY NEVADA PRECAST STONE INC.

NOTE: REFER TO STRUCTURAL PLANS & SOILS REPORT FOR FOOTING & REINFORCING STEEL DESIGN FOR THE PILASTER & PEDESTAL.

(G) ENTRY PILASTER W/ PEDESTAL

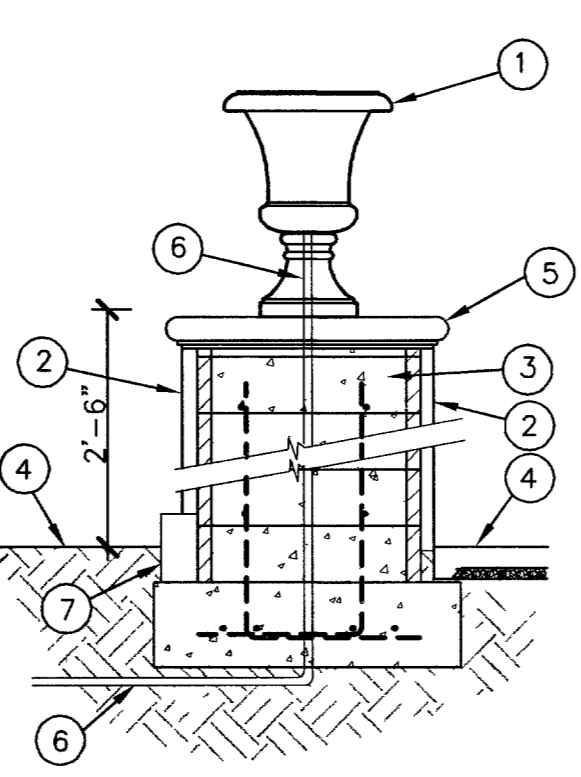


**LEGEND**

1. LARGE URN BY NEVADA PRECAST STONE INC. (702) 564-4855. SEE DETAIL "II" SHEET 39.
2. EL DORADO CULTURED STONE COPPER MOUNTAIN LEDGE.
3. 8"x8"x16" CMU BLOCK.
4. FINISH GRADE / FINISH SURFACE.
5. 44" CONCRETE PEDESTAL CAP BY NEVADA PRECAST STONE INC.
6. IRRIGATION & DRAIN OUTLET LINE. OUTLET TO A 2 CU.FT. GRAVEL SUMP. USE 2" PVC SCH 40 DRAIN LINE W/ IRRIGATION TUBING WITHIN.
7. CONCRETE HEADER AT LAWN AREA ONLY.

NOTE: REFER TO STRUCTURAL PLANS & SOILS REPORT FOR FOOTING & REINFORCING STEEL DESIGN FOR THE STONE PEDESTAL.

(H) STONE PEDESTAL W/ URN

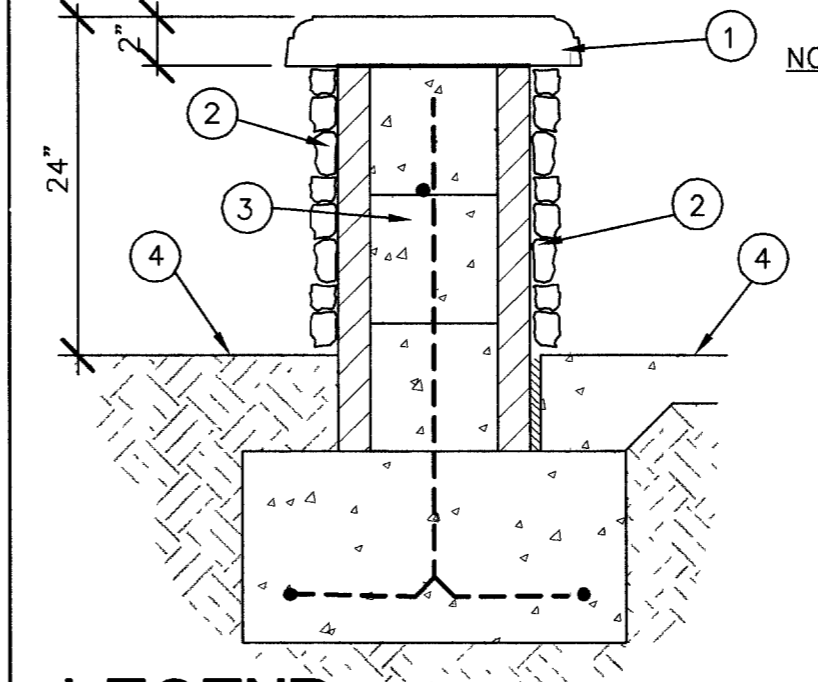


**LEGEND**

1. LARGE URN BY NEVADA PRECAST STONE INC. (702) 564-4855. SEE DETAIL "II" SHEET 39.
2. STUCCO FINISH
3. 8"x8"x16" CMU BLOCK.
4. FINISH GRADE / FINISH SURFACE.
5. 36" CONCRETE PEDESTAL CAP BY NEVADA PRECAST STONE INC.
6. IRRIGATION & DRAIN OUTLET LINE. OUTLET TO A 2 CU.FT. GRAVEL SUMP. USE 2" PVC SCH 40 DRAIN LINE W/ IRRIGATION TUBING WITHIN.
7. CONCRETE HEADER AT LAWN AREA ONLY.

NOTE: REFER TO STRUCTURAL PLANS & SOILS REPORT FOR FOOTING & REINFORCING STEEL DESIGN FOR THE STUCCO PEDESTAL.

(I) STUCCO PEDESTAL W/ URN

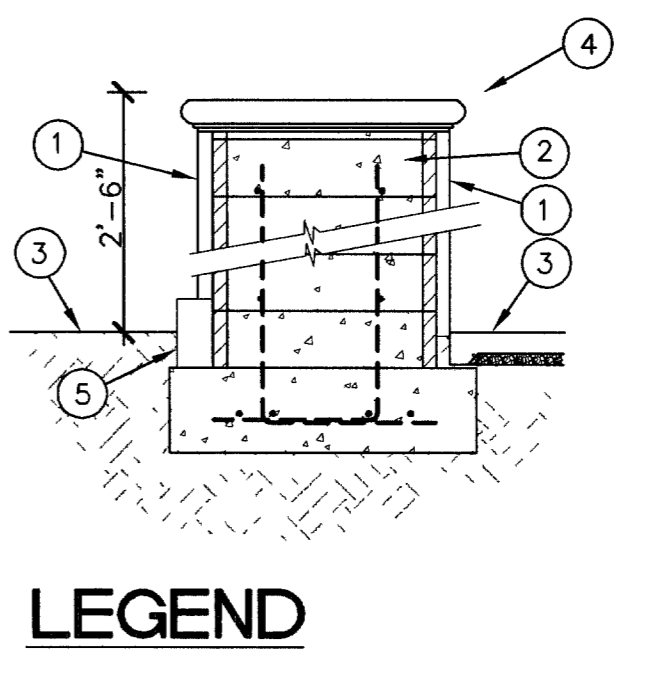


**LEGEND**

1. 16" CONCRETE WALL CAP BY NEVADA PRECAST INC. (702) 564-4855
2. EL DORADO CULTURED STONE COPPER MOUNTAIN LEDGE.
3. 12"x8"x16" CMU BLOCK.
4. FINISH GRADE / FINISH SURFACE.

NOTE: REFER TO STRUCTURAL PLANS & SOILS REPORT FOR FOOTING & REINFORCING STEEL DESIGN FOR THE ROCK SEAT WALL.

(J) ROCK SEAT WALL



**LEGEND**

1. STUCCO FINISH
2. 8"x8"x16" CMU BLOCK.
3. FINISH GRADE / FINISH SURFACE.
4. 36" CONCRETE PEDESTAL CAP BY NEVADA PRECAST STONE INC. (702) 564-4855
5. CONCRETE HEADER AT LAWN AREA ONLY.

NOTE: REFER TO STRUCTURAL PLANS & SOILS REPORT FOR FOOTING & REINFORCING STEEL DESIGN FOR THE STUCCO PEDESTAL.

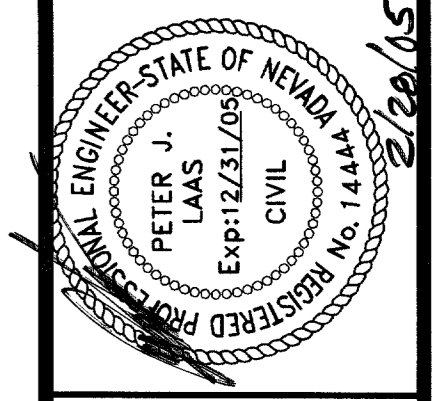
(K) STUCCO PEDESTAL

OVATION DEVELOPMENT  
 1175 AMERICAN PACIFIC DRIVE, SUITE F  
 HENDERSON, NEVADA 89074  
 CONTACT: JAN COVER (702) 990-2325

HARDSCAPE DETAIL I  
 LONE MOUNTAIN APARTMENTS

V FRONT  
 DESIGNING FOR THE FUTURE  
 PLANNERS • CONSULTING ENGINEERS • SURVEYORS  
 1008 WINNIE FRANCH DRIVE • HENDERSON, NEVADA 89074 • (702) 248-6415

DRAWN BY: REH APRIL 2004  
 DESIGNED BY: REH APRIL 2004  
 CHECKED BY: P.J. APRIL 2004  
 PROJECT NO.: 682-E169  
 SCALE: N.I.S.



SHEET  
 DT8  
 37 OF 41 SHEETS  
 DRAWING NO.  
 107V 4322