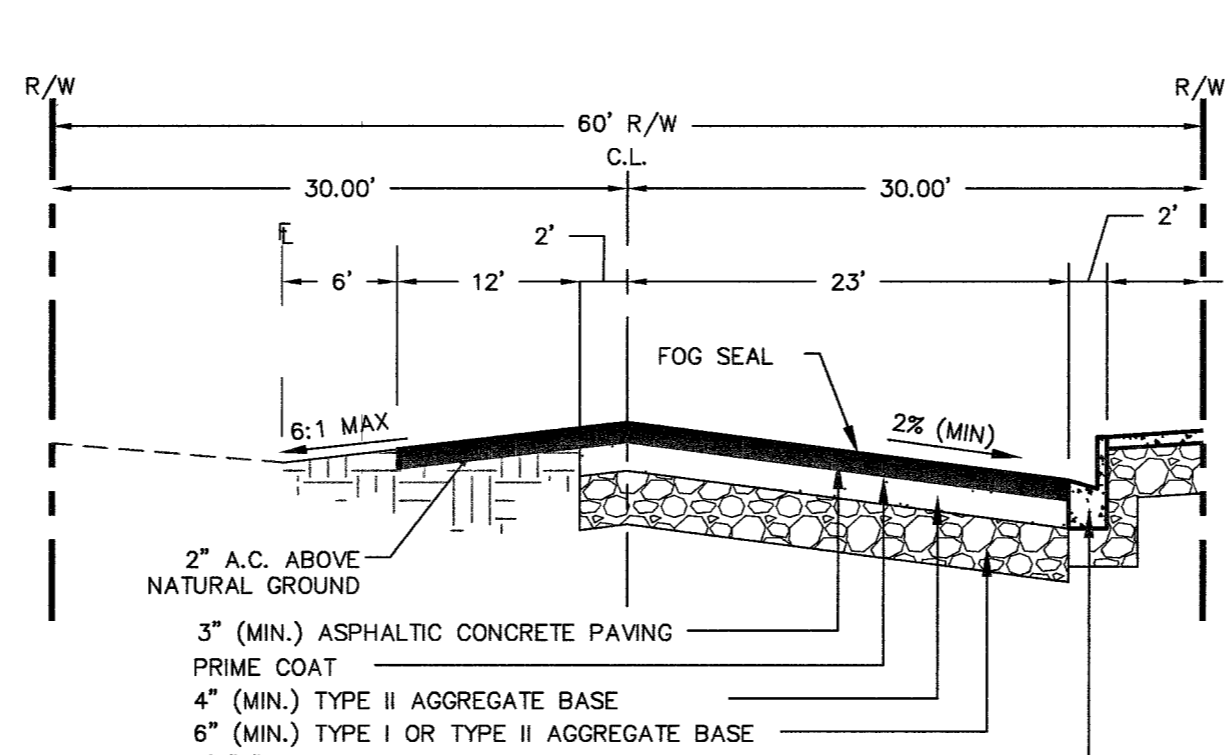
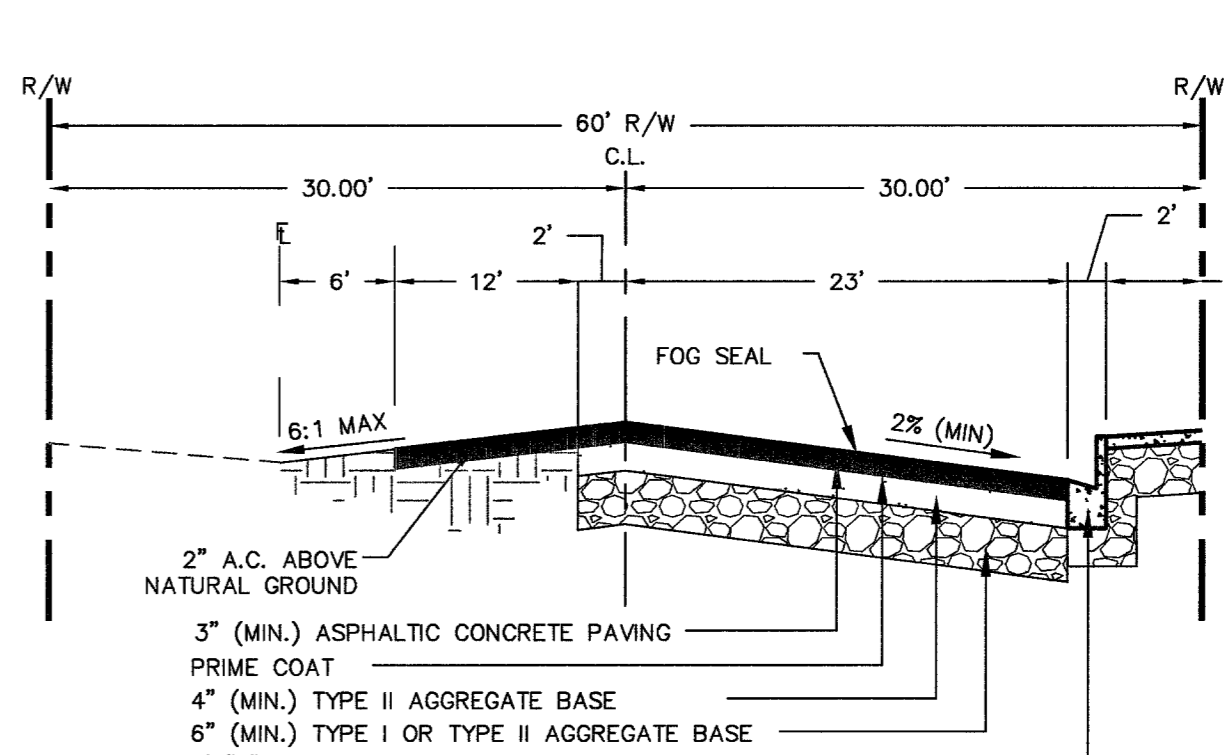


CONSTRUCT STREET PER USDOCA STD. DWG. NO. 205



CONSTRUCT STREET PER USDOCA STD. DWG. NO. 205



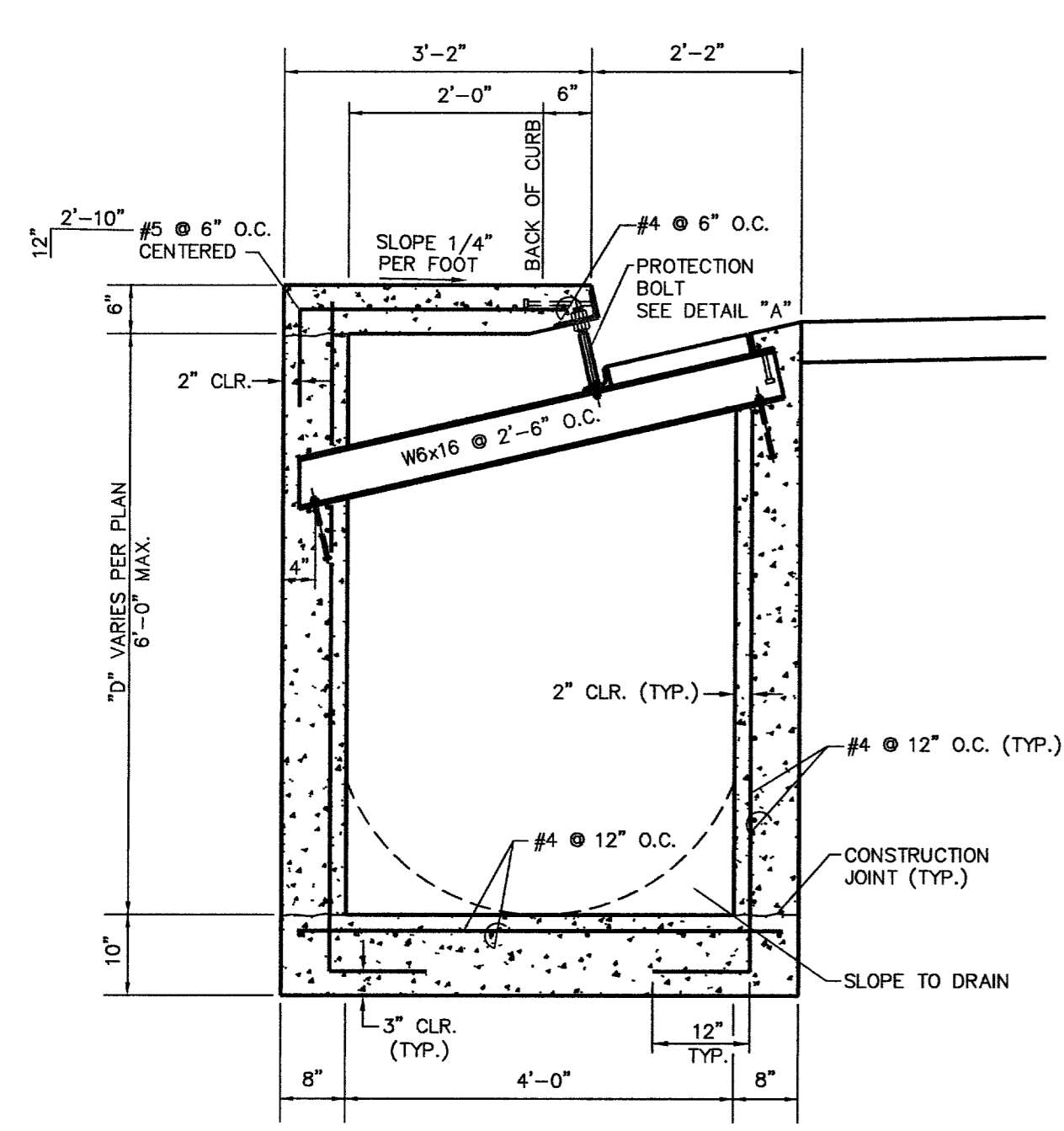
CONSTRUCT STREET PER USDOCA STD. DWG. NO. 205

BALSAM STREET SECTION STA: 11+95.51 TO 13+80.03

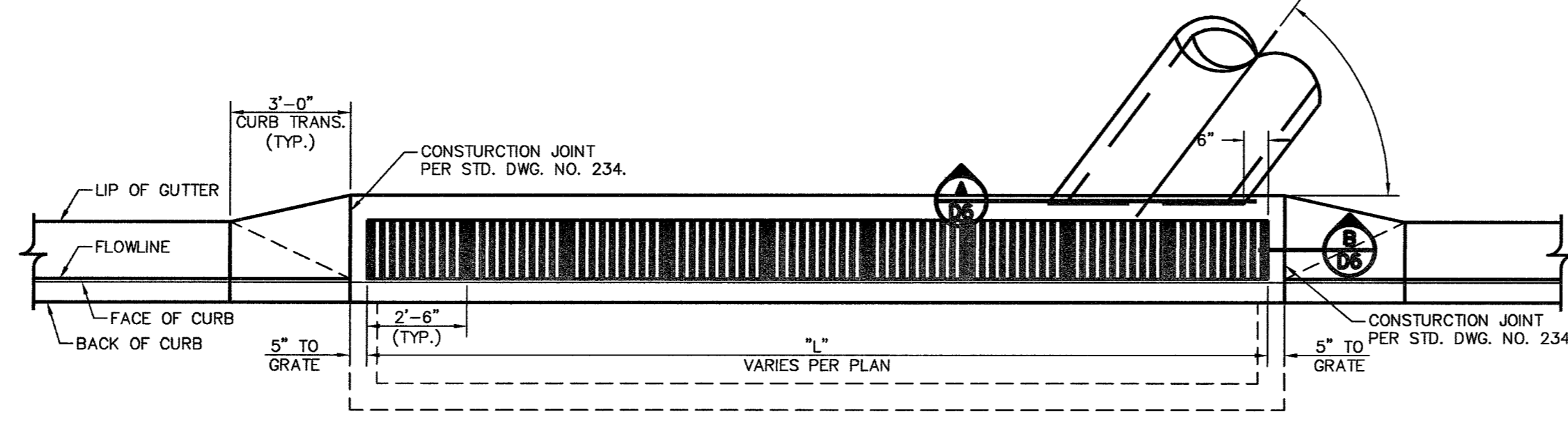
BALSAM STREET SECTION STA: 13+80.03 TO 16+88.50

RED COACH AVENUE SECTION

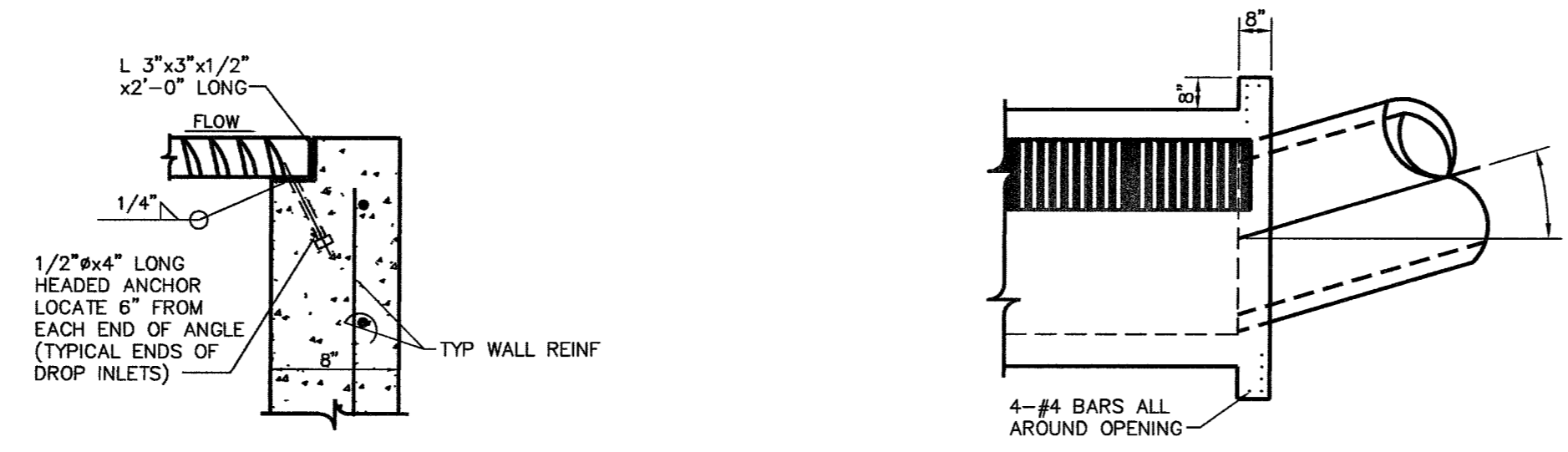
SECTION C



TYPE "CM2" DROP INLET SECTION

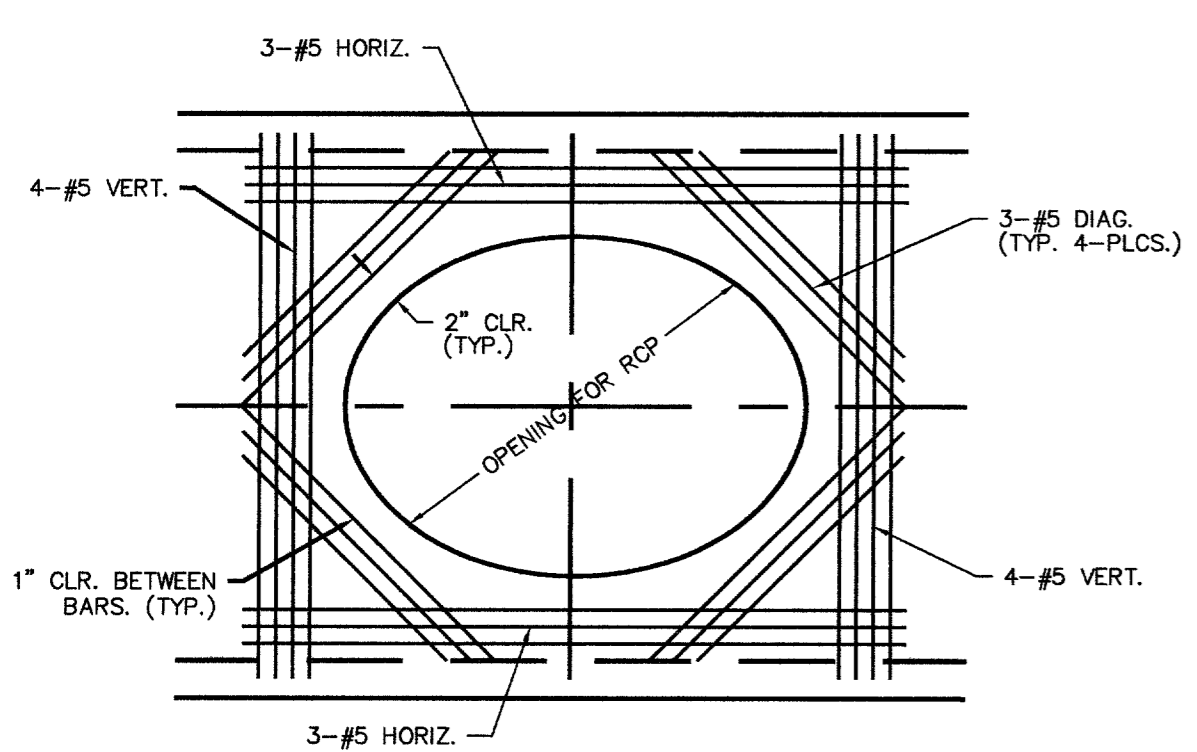


DROP INLET LAYOUT PLAN

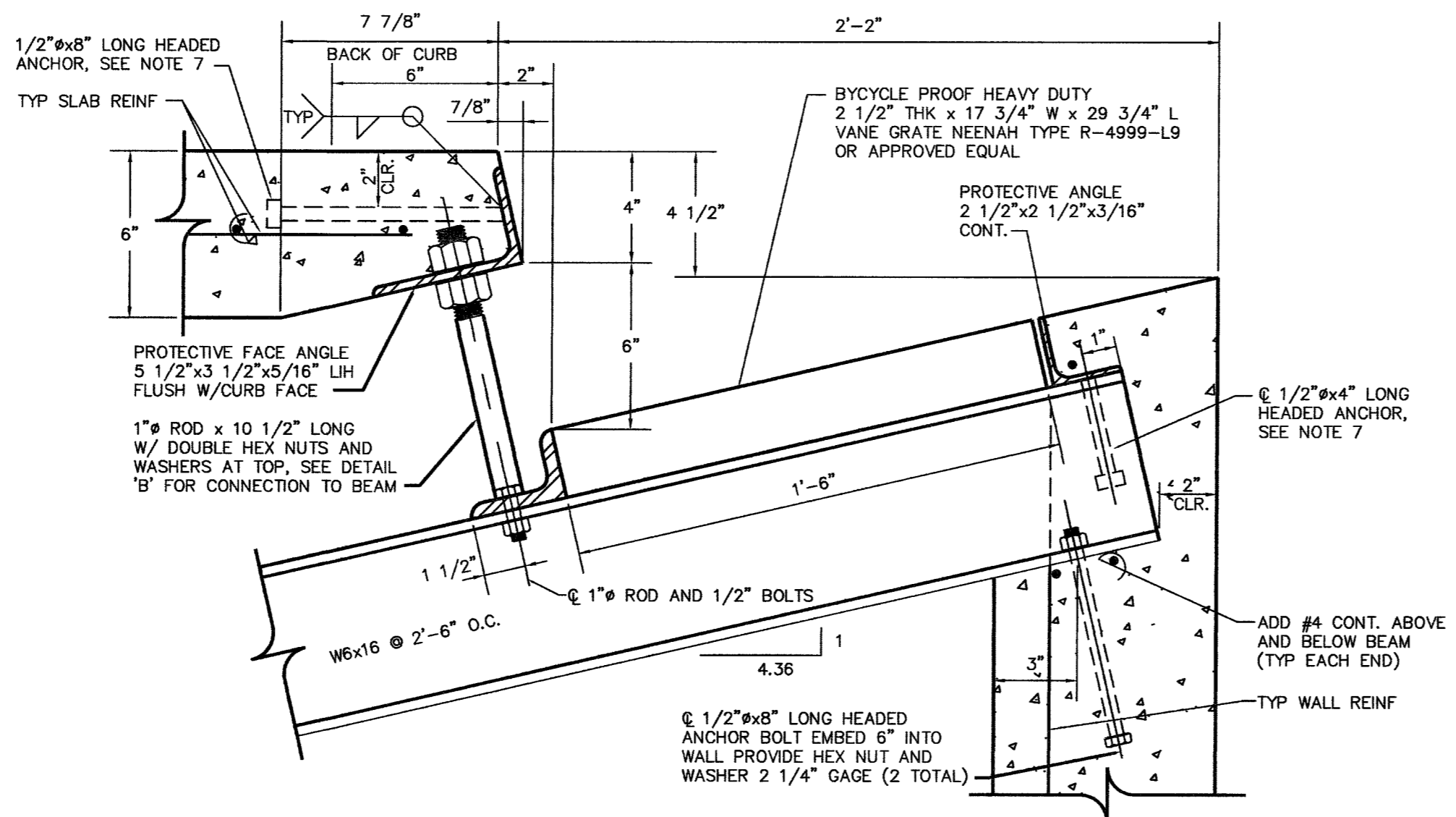


ALTERNATE CONNECTION DETAIL

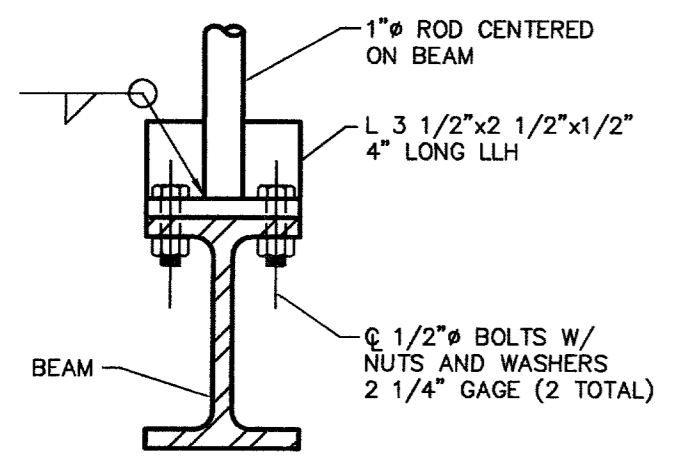
SECTION "B"



SECTION "A"



PROTECTIVE FACE & ROD - DETAIL "A"

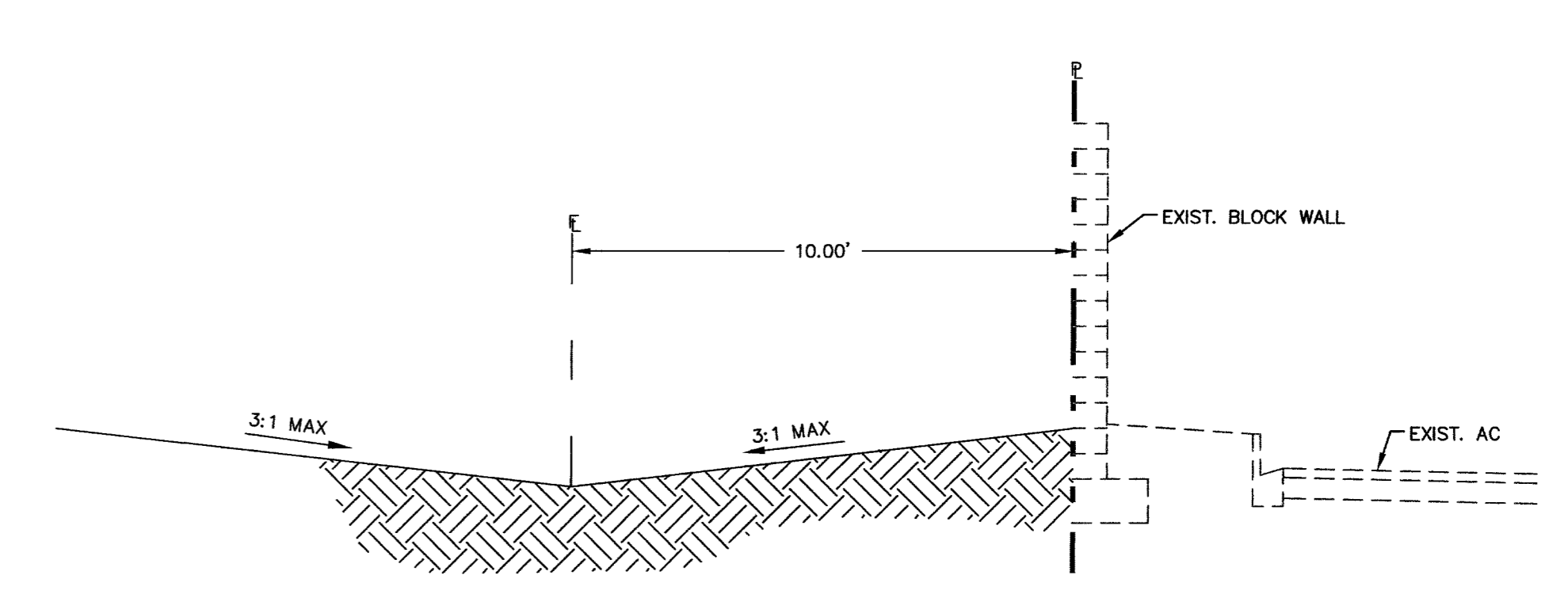


DETAIL "B"

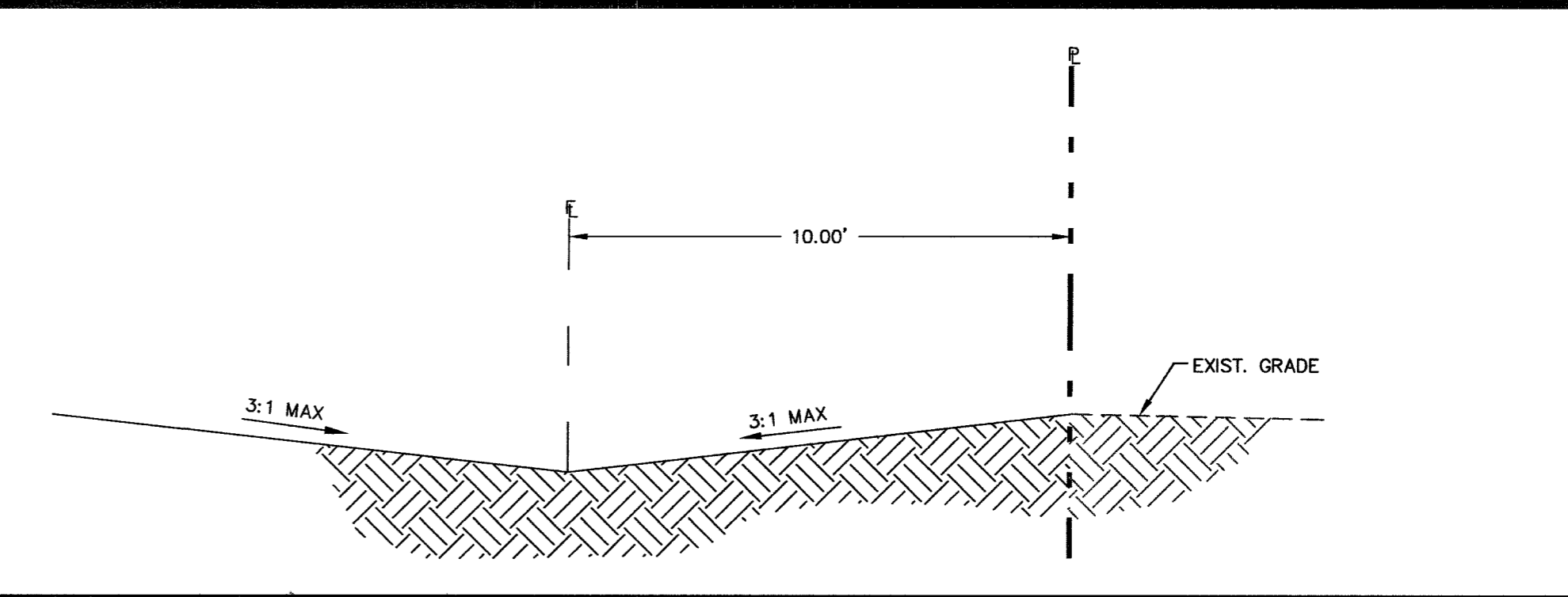
NOTES:

1. ALL EXPOSED METALS SHALL BE HOT DIP GALVANIZED AFTER FABRICATION.
2. PROVIDE 1/2" (MIN.) CLEARANCE ALL AROUND THE STEEL BEAM, DRY PACK AFTER INSTALLATION.
3. WHEN REQUIRED BY LENGTH OF OPENING, PLATE ANGLE MAYBE DELIVERED IN SECTIONS AND BUTT WELDED IN PLACE.
4. ALL GALVANIZING DAMAGED BY WELDING SHALL RECEIVE TWO COATS OF GALVALLOY OR EQUAL.
5. CONCRETE SHALL BE MODIFIED CLASS DA, SEE SPECIAL PROVISIONS SECTION 501.
6. SEE GENERAL NOTES FOR STRUCTURES ON DWG DB.
7. ANGLE ANCHORS SHALL BE EMBEDDED MIDPOINT IN EACH ENDWALL AND EVENLY SPACED. (MAXIMUM SPACING OF 2')

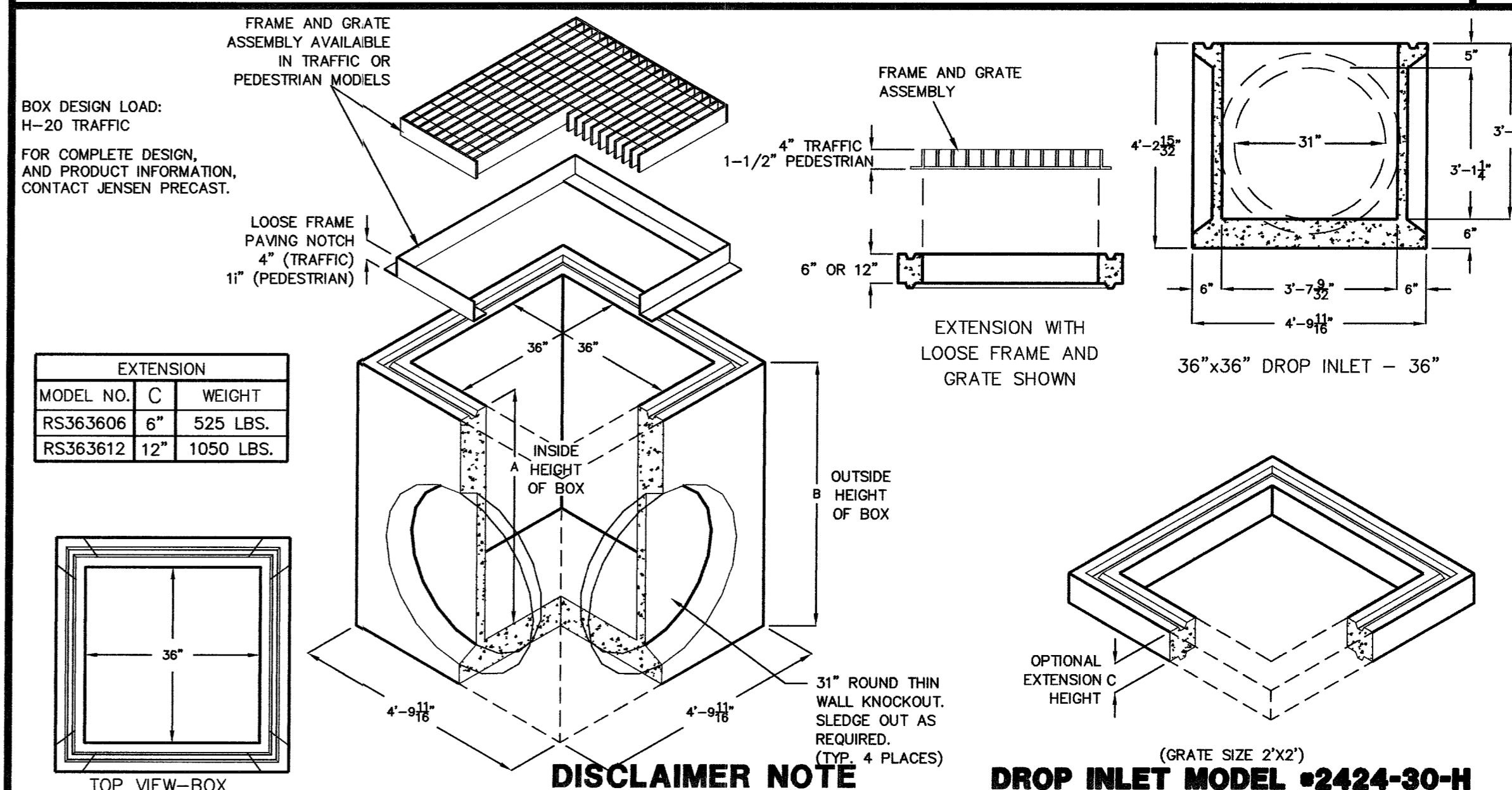
36" x 36" DROP INLET



SECTION - EAST PROPERTY LINE



SECTION - SOUTH PROPERTY LINE

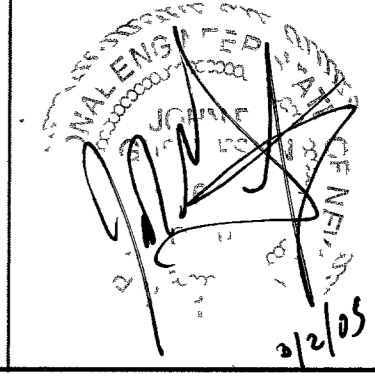


DISCLAIMER NOTE

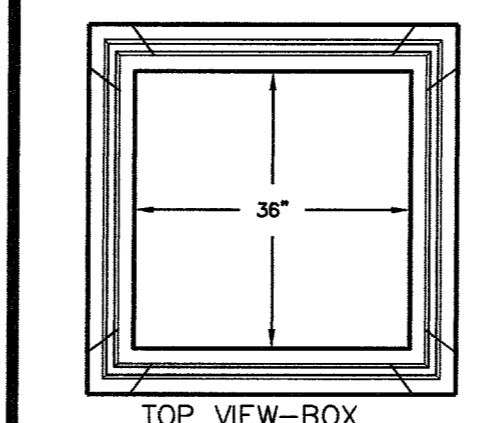
UTILITY LOCATIONS SHOWN HEREON ARE APPROXIMATE ONLY. IT SHALL BE THE CONTRACTOR'S RESPONSIBILITY TO DETERMINE THE EXACT HORIZONTAL AND VERTICAL LOCATION OF ALL EXISTING UNDERGROUND AND OVERHEAD UTILITIES PRIOR TO COMMENCING CONSTRUCTION. NO REPRESENTATION IS MADE THAT ALL EXISTING UTILITIES ARE SHOWN HEREON. THE ENGINEER ASSUMES NO RESPONSIBILITY FOR UTILITIES NOT SHOWN OR UTILITIES NOT SHOWN IN THEIR PROPER LOCATION.

Avoid cutting underground utility lines. It's costly.
Call before you Dig
1-800-227-2600
MICROBURST SERVICE (USA)

Avoid overhead power line contact.
Call before you Overhead
1-702-593-6111
NEVADA POWER ENVIRONMENT AND SAFETY SERVICES DEPARTMENT



EXTENSION		
MODEL NO.	C	WEIGHT
RS363606	6"	525 LBS.
RS363612	12"	1050 LBS.



TOP VIEW - BOX WITH FRAME AND GRATE REMOVED

DROP INLET		
MODEL NO.	A	*WEIGHT
DI363636	36" x 42"	3748 LBS.
DI363648	48" x 54"	4752 LBS.

*BOX ONLY

PREPARED FOR: **LDS CHURCH**
50 EAST NORTH TEMPLE STREET
SALT LAKE CITY, UTAH 84143

DATE: JANUARY 2004
DESIGN: MVM/JU
DRAWN: JU
CHECK: JRG
SCALE: 1"=30'

BAUGHMAN & TURNER, INC.
LAND PLANNERS
LAND SURVEYORS
1210 HINSON STREET
LAS VEGAS, NEVADA 89102
(702) 870-8771

NEVADA
SECTION 3, TOWNSHIP 20 SOUTH, RANGE 60 EAST, M.D.B. & M.
LAS VEGAS
RED COACH AVENUE & BALSAM STREET

SHEET **DT07** OF **7**
PROJ. NO. LDS.Church

1074303