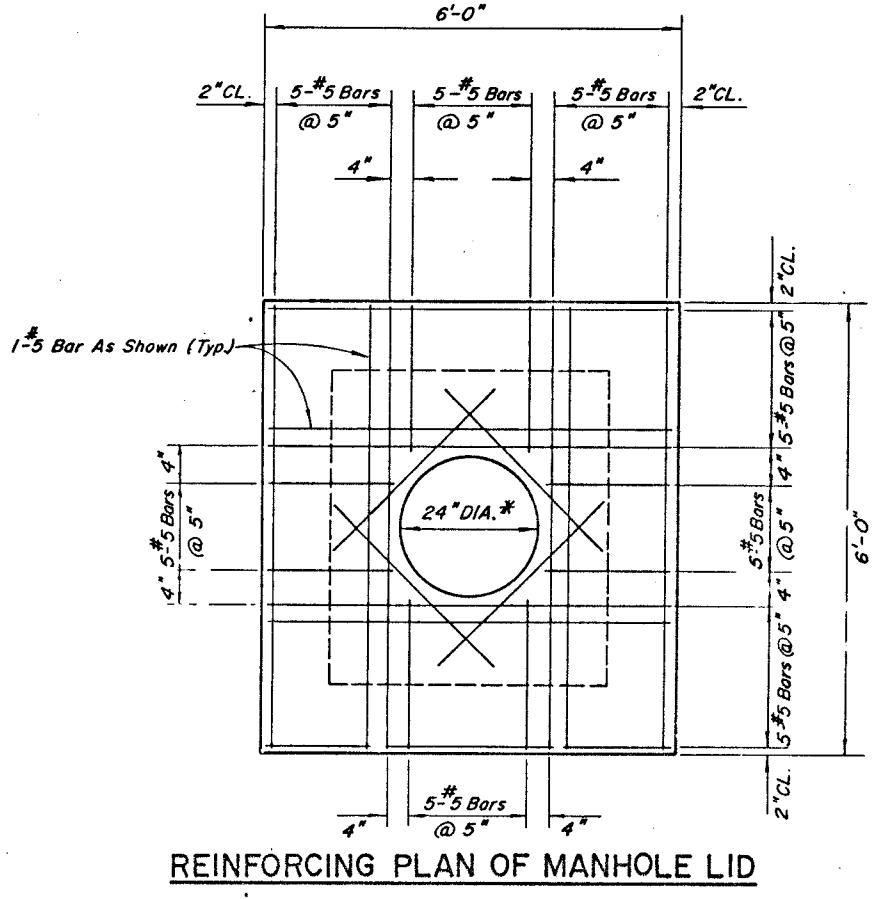
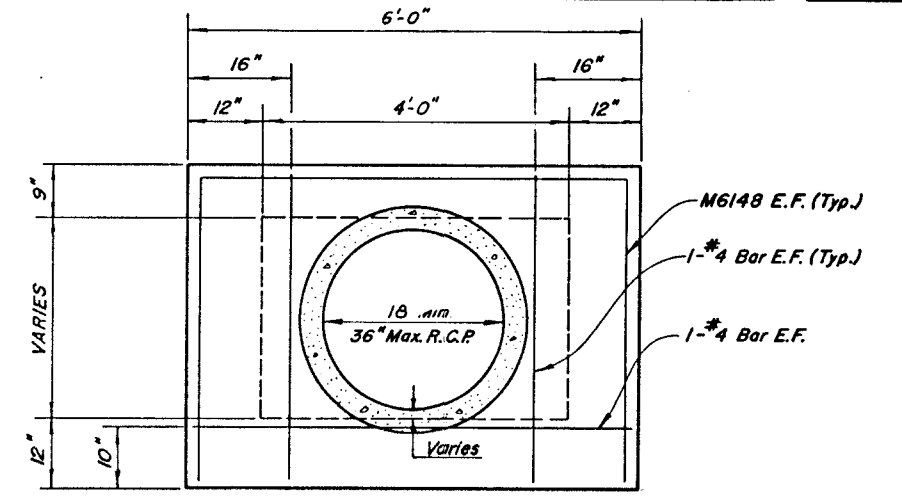


TYPICAL PLAN VIEW

*FOR MANHOLE COVER SEE DETAIL "A", SHEET 18

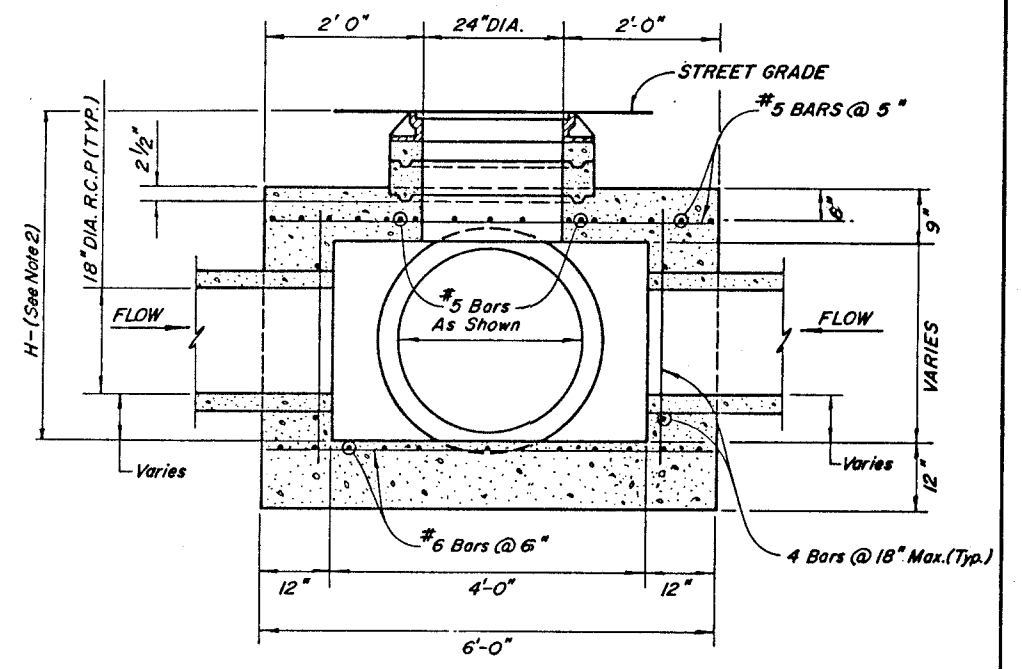


REINFORCING PLAN OF MANHOLE LID



SECTION C-C (FOR R.C.P.)

MANHOLE & LATERAL R.C.P.'s NOT SHOWN FOR CLARITY.

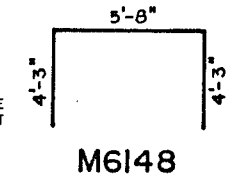


SECTION B-B

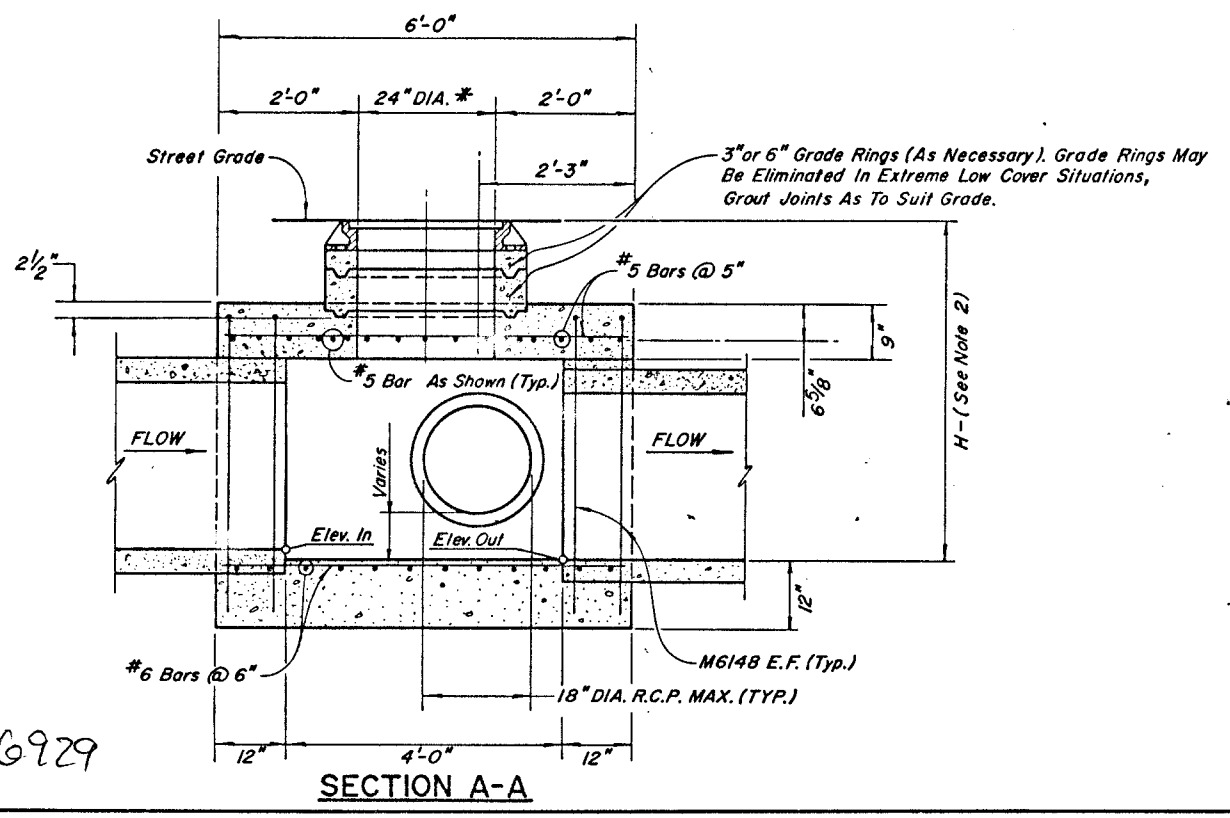
FOR INFORMATION & DIMENSIONS NOT SHOWN SEE SECTIONS A-A & C-C

GENERAL NOTES

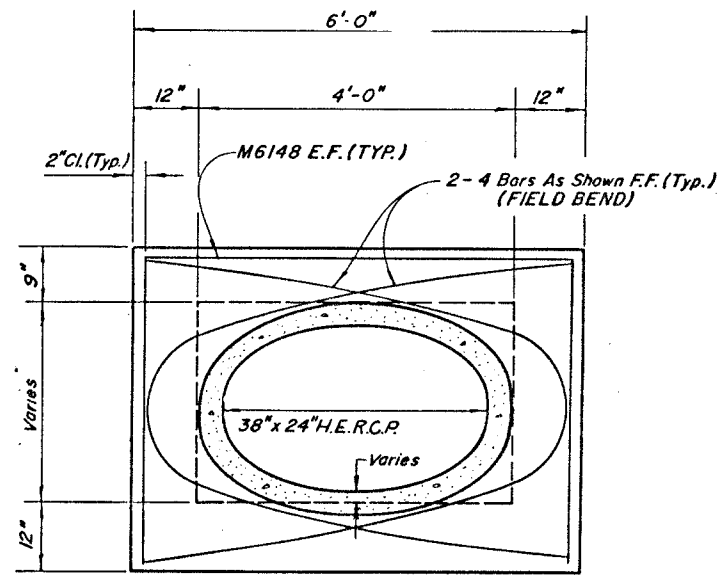
- FOR ADDITIONAL INFORMATION AND GENERAL NOTES SEE SHEET 18.
- FOR VALUES OF "H" SEE STORM DRAIN SCHEDULE OR STRUCTURE LIST IN CONTRACT PLANS. "H" IS THE DIFFERENCE IN ELEV. BETWEEN THE OUTFLOW PIPE INVERT ELEV. & THE TOP ON MANHOLE ELEV. AT STREET GRADE.



M6148



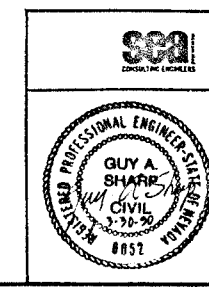
SECTION A-A



SECTION C-C (FOR OVAL R.C.P.)

MANHOLE & LATERAL R.C.P.'s NOT SHOWN FOR CLARITY.

66929



RENO, SPARKS, NEVADA
LAS VEGAS, NEVADA
PHOENIX, ARIZONA

JOB NO. 990-02-2
DESIGNED G.S.
DRAWN C.H.W.
CHECKED *[Signature]*
DATE 3-30-90

STATE OF NEVADA
DEPARTMENT OF TRANSPORTATION

107V3989
SPECIAL MANHOLE
DETAIL