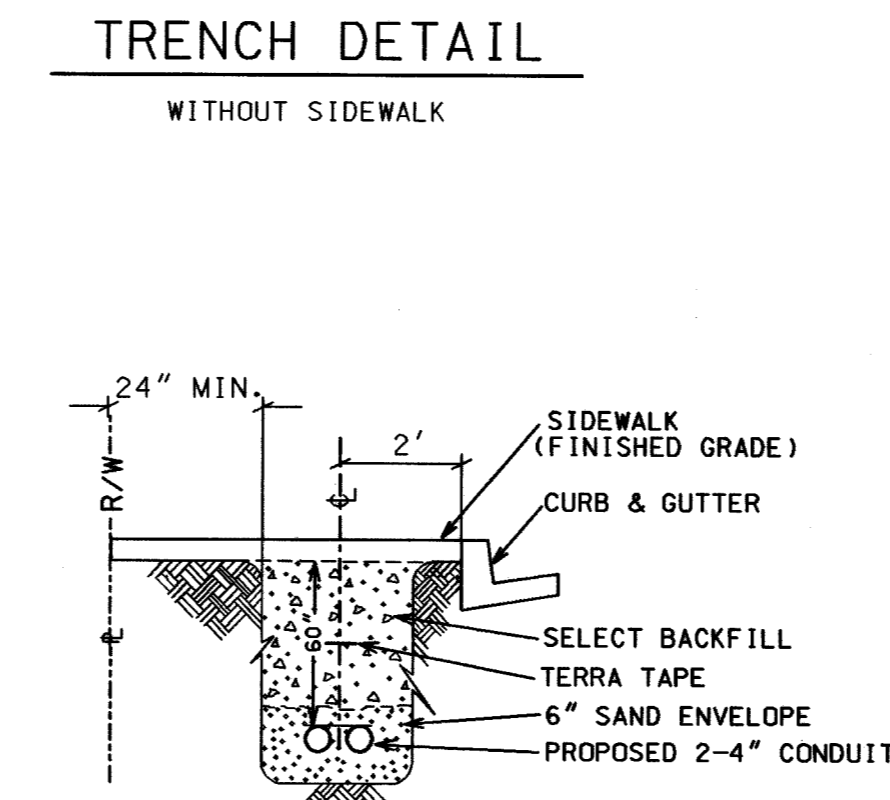
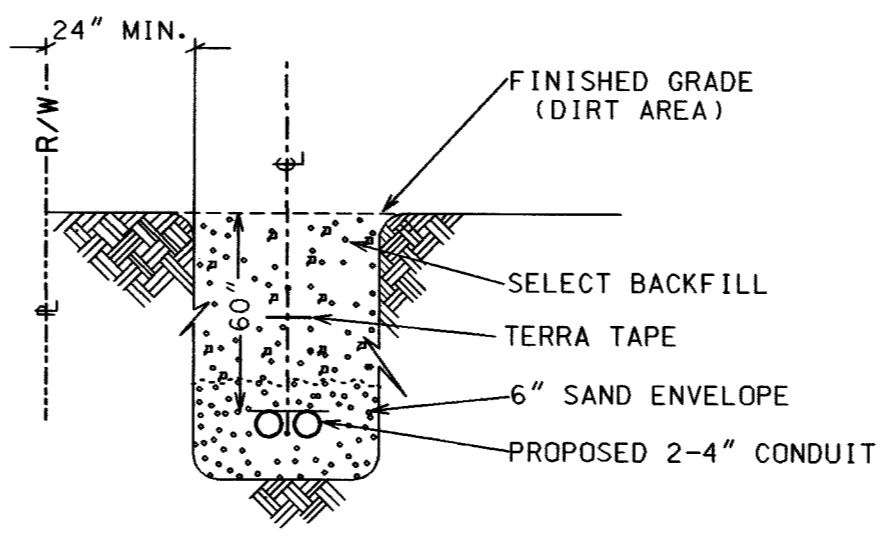
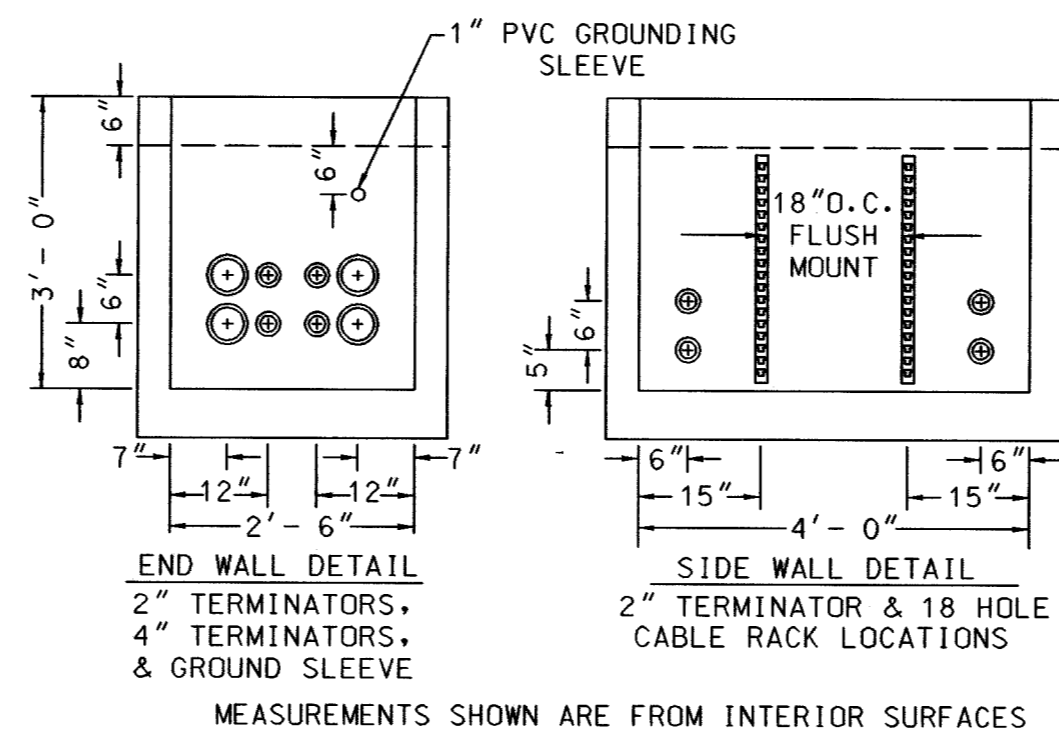
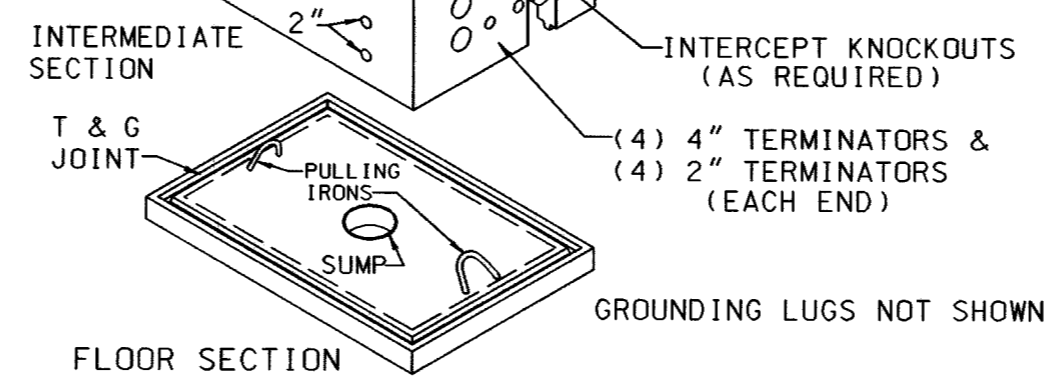
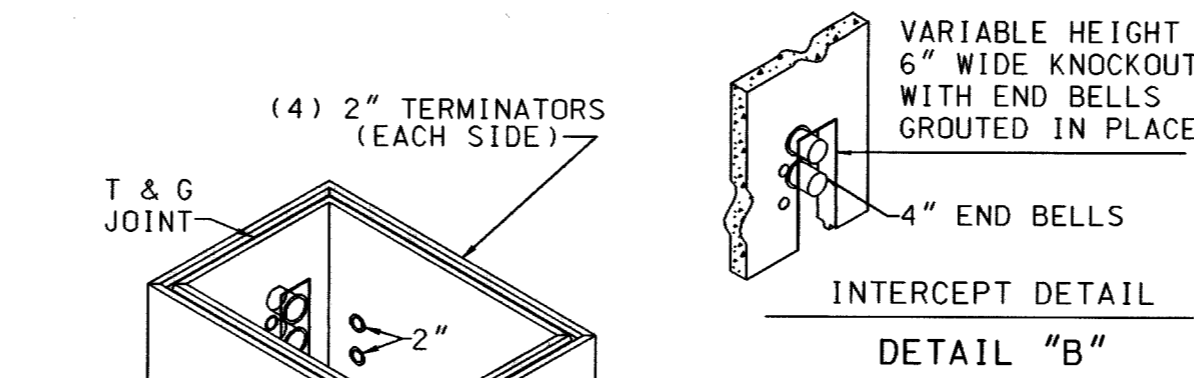
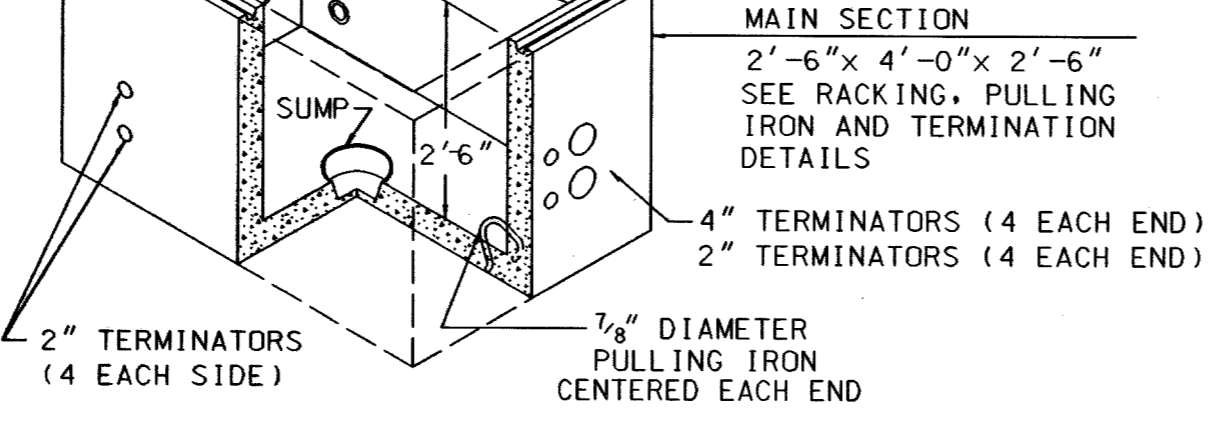
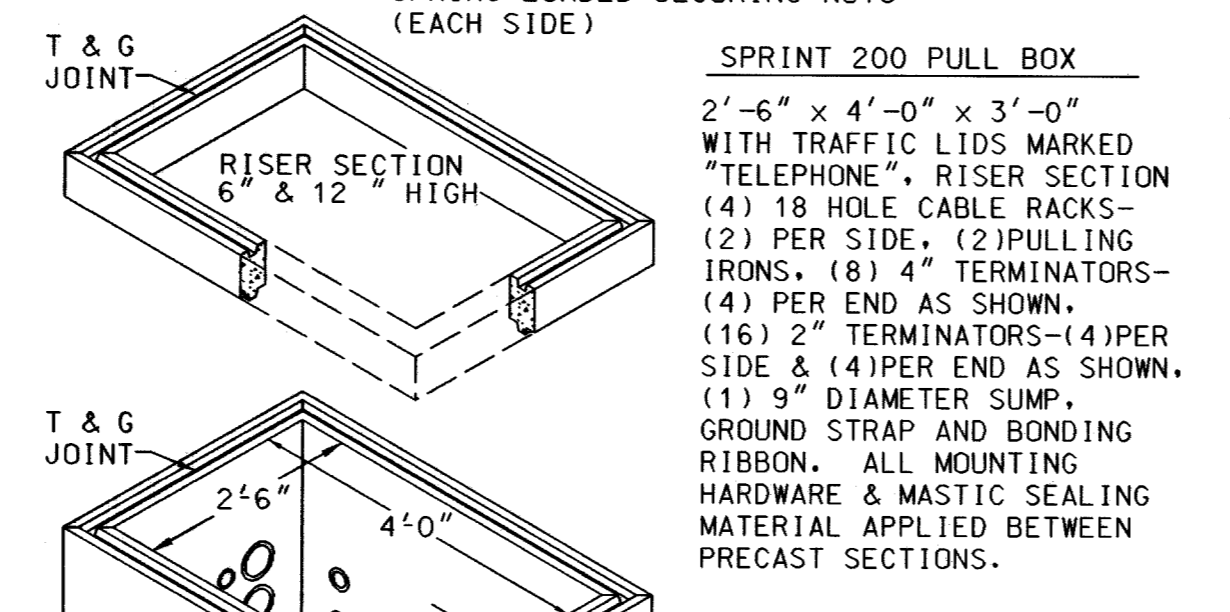
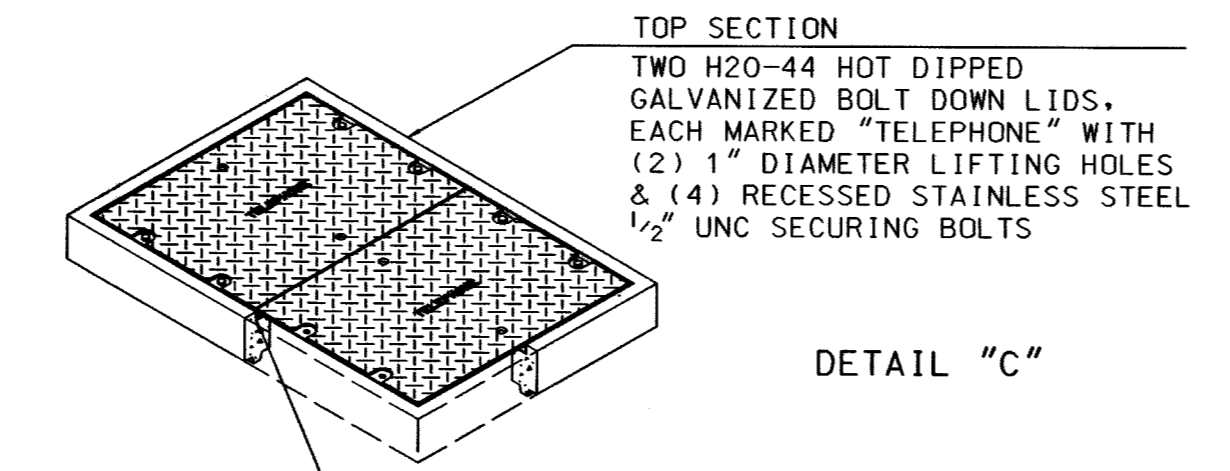
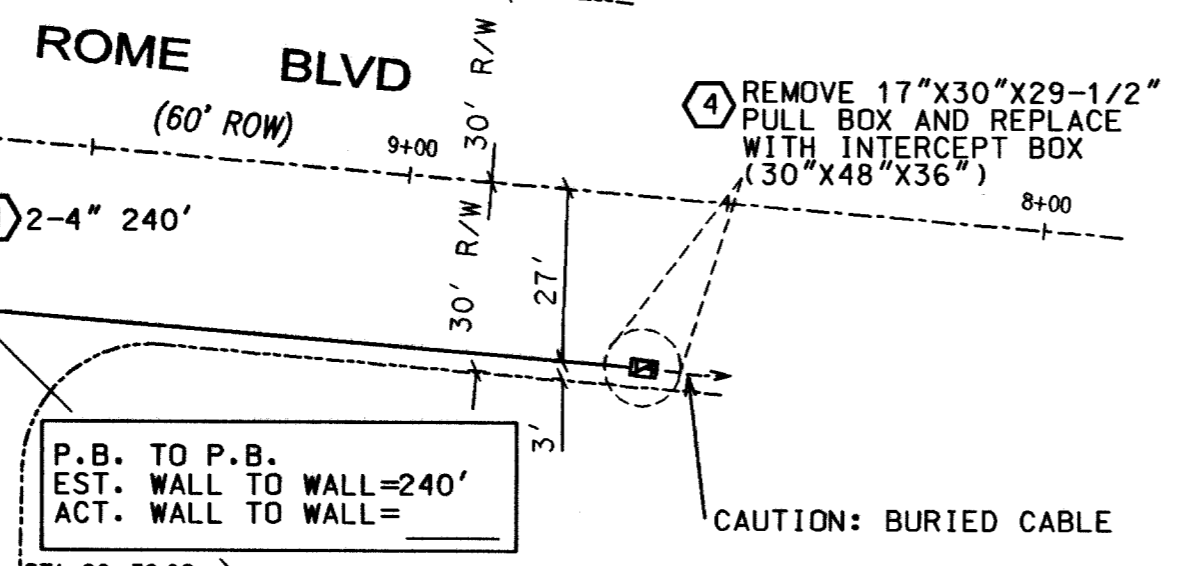


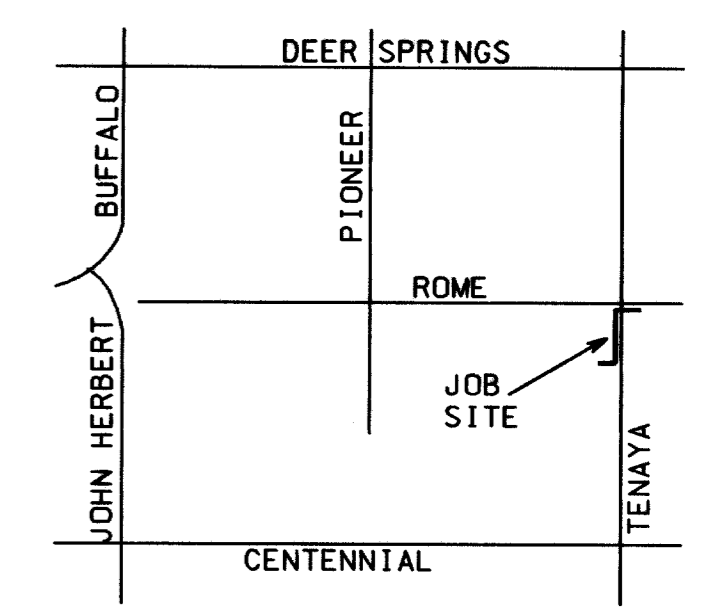
UNDEVELOPED
NOT A PART
APN 125-22-801-009



SPRINT PROPRIETARY
CONSTRUCTION PERMIT REQUIRED
BY CONTRACTOR

LEGEND

- PROPOSED CONDUIT
 - - - - - EXISTING BURIED CABLE
 - - - - - CENTER LINE
 - - - - - R/W LINE
- ① 2-4" PVC, DB-100 GRADE (EST. 459')
 - ② 20' RADIUS, SCHEDULE 40 (2)
 - ③ SPRINT PULL BOX 30"x48"x36" SEE DETAIL "C" (2)
 - ④ SPRINT INTERCEPT PULL BOX 30"x48"x36" WITH CONCRETE COLLAR SEE DETAILS "A" AND "B" (1)



VICINITY MAP
T 19S R 60E S 22
NTS

CONSTRUCTION NOTES

SAFETY FIRST - APPLIES TO ALL PHASES OF THIS PROJECT

1. ALL CONSTRUCTION SHALL CONFORM TO SPRINT UNDERGROUND SPECIFICATIONS.
2. THIS DRAWING SHOWS APPROXIMATE LOCATIONS OF KNOWN UTILITIES IN THE IMMEDIATE VICINITY OF THE WORK TO BE DONE, BUT SPRINT/CENTRAL TELEPHONE DOES NOT GUARANTEE OR ASSUME LIABILITY FOR THEIR POSITION OR DEPTH. THE CONTRACTOR SHALL DETERMINE TO HIS SATISFACTION THE ACTUAL POSITION AND DEPTH OF THE EXISTING UTILITIES AND PROVIDE FOR THEIR INTERFERENCE DURING THE TIME OF THE ORIGINAL BID AS HE WILL ASSUME THIS LIABILITY DURING THE PERFORMANCE OF THIS WORK.
3. THE CONTRACTOR SHALL FURNISH ALL LABOR, EQUIPMENT AND MATERIAL NECESSARY FOR THE COMPLETION OF THIS WORK.
4. THE CONTRACTOR SHALL REMOVE, REPLACE AND / OR RELOCATE ANY SURFACE OR SUBSURFACE OBSTRUCTIONS AS REQUIRED AT HIS EXPENSE. (i.e. CURB, ASPHALT, CONCRETE, UTILITIES, etc.)
5. CALL 244-7811 FOR INSPECTION 24 HOURS PRIOR TO START OF CONSTRUCTION.
6. THE CONTRACTOR SHALL INSTALL A TAPERED POLYETHYLENE DUCT PLUG WITH PULL STRING TAB IN ALL CONDUIT, TERMINATED OR CAPPED ASSOCIATED WITH THIS PROJECT.
7. THE CONTRACTOR SHALL PROVIDE AND INSTALL A WATERPROOF-400 LB. TENSILE STRENGTH MEASURING TAPE MARKED IN ONE FOOT INCREMENTS, IN AT LEAST ONE DUCT OF EACH CONDUIT SECTION. ALL OTHER CONDUIT IN A MULTIPLE DUCT SYSTEM SHALL HAVE A 3/32 INCH JETLINE PULL STRING WITH 400 LB. TENSILE STRENGTH.
8. ALL TRENCHING SHALL BE OF A MINIMUM DEPTH TO MAINTAIN A 60 INCH COVER OVER ALL FACILITIES AND 12 INCH MINIMUM SEPARATION FROM FOREIGN UTILITIES. COMPACT ALL BACKFILL TO 95% COMPACTION AND COMPLY TO ALL CITY OF LAS VEGAS REQUIREMENTS.
9. AN APPROVED SAND ENVELOPE SHALL BE INSTALLED AROUND ALL CONDUIT PRIOR TO BACK FILLING (UNLESS ENCASED IN CONCRETE).
10. THE CONTRACTOR SHALL PROVE AND MANDREL ALL CONDUIT IN THE PRESENCE OF A SPRINT CONDUIT INSPECTOR, AND PROVIDE AN AS-BUILT WITH THOSE MEASUREMENTS IN RED WHEN SUBMITTING A FINAL INVOICE FOR COMPLETION OF THIS WORK.
11. THE CONTRACTOR WILL BE RESPONSIBLE TO RESTORE THE WORK AREA BACK TO THE ORIGINAL CONDITION OR BETTER UPON COMPLETION OF THIS PROJECT.
12. ALL CONDUIT SHALL BE DB-100 OR APPROVED EQUAL PER A.S.T.M SPECIFICATIONS AND JOINED USING AN APPROVED CONTACT CEMENT WITH SURFACE PRIMER.
13. ALL CONDUIT SWEEPS WITH A RADIAL BEND LESS THAN FORTY FEET SHALL BE FACTORY FORMED UNLESS OTHERWISE SPECIFIED.

[Signature]
REVIEWED BY FACILITY ENGINEER

APPROVED FOR THAT FOR
10' IN CITY OF LAS VEGAS
RIGHT OF WAY ONLY.

[Signature]
CITY OF LAS VEGAS APPROVAL

3/1/04
9/5/07
DATE

CITY OF LAS VEGAS PERMIT REQUIRED*	
DEVELOPER/CONTRACTOR SHALL OBTAIN A CITY PERMIT BEFORE ANY EXCAVATION WORK WITHIN CITY OF LAS VEGAS RIGHT OF WAY	
* SPRINT INSPECTOR WILL VERIFY CITY PERMIT FOR WORK DONE WITHIN CITY OF LAS VEGAS RIGHT-OF-WAY	
INSPECTOR:	DATE

ASSOC. T&S WA# 24180880
107V3983-SPR

NO.	REVISION		ENGR.	MGR.	DATE
	△	△			
1					
2					
<p>Call before you Dig.</p> <p>1-800-227-2600 UNDERGROUND SERVICE USA</p>					
<p>EXCL. LAS VEGAS C.O. NORTH 5</p>			<p>TITLE: UNDERGROUND CONDUIT FEEDER FOR LAMPLIGHT ROME</p> <p>ENGR. S. PEREZ W.O. 24181975</p> <p>PHONE 244-1352 C.S. MGR.</p> <p>LOC. S/W CORN. ROME AND TENAYA</p> <p>DRAWN BY SP ISSUE DATE</p> <p>SCALE 1" = 30' SHT. 1 OF 1</p>		

107V3983-SPR
107V3983 permit