

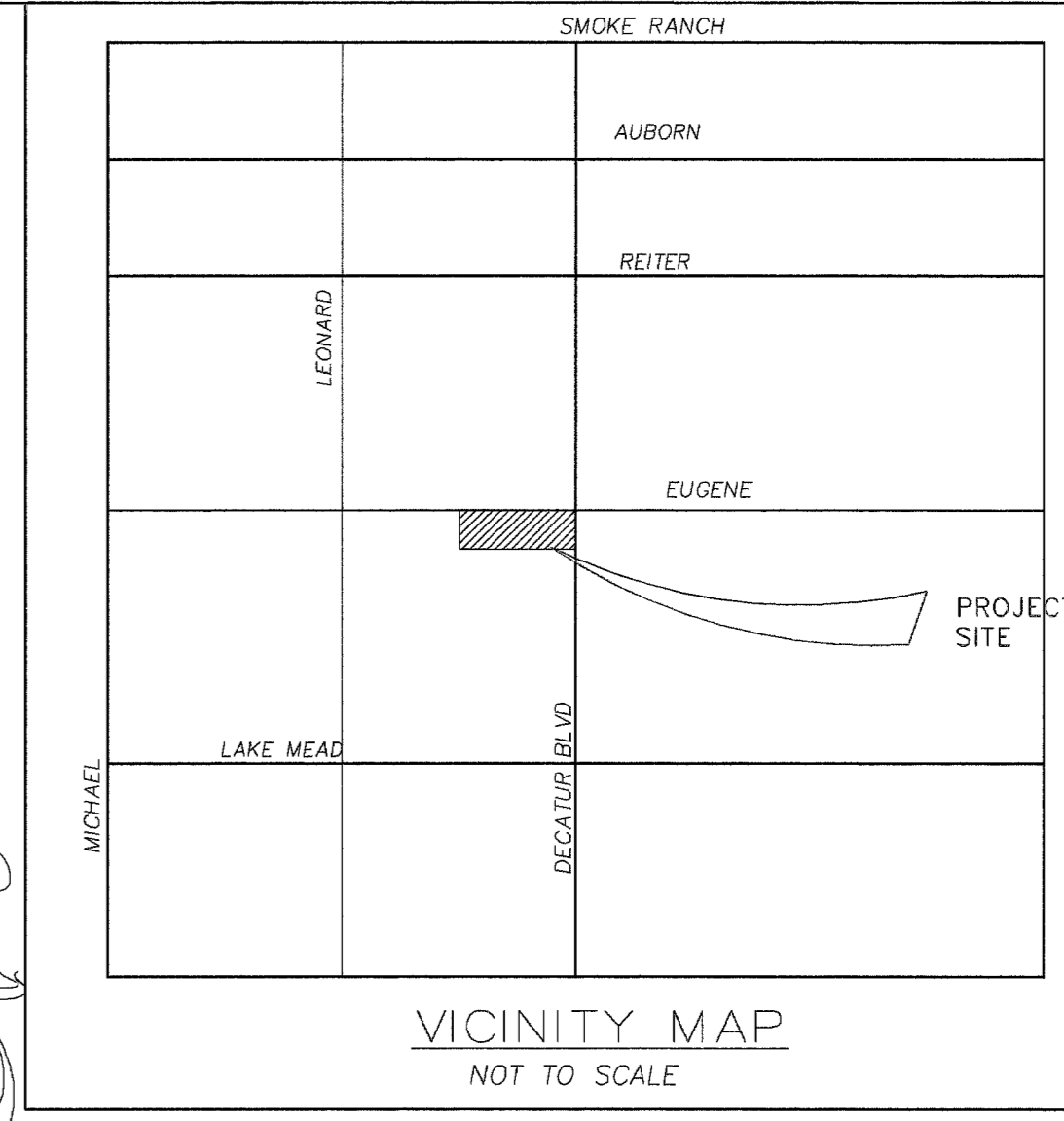
AVOID CUTTING UNDERGROUND UTILITY LINES, IT'S COSTLY!
CALL BEFORE YOU DIG
 1-800-227-2600
 UNDERGROUND SERVICE ALERT (USA)

AVOID OVERHEAD POWERLINE CONTACT
CALL BEFORE YOU OVERHEAD
 1-702-593-6111
 NEVADA POWER ENVIRONMENT AND SAFETY SERVICES DEPARTMENT

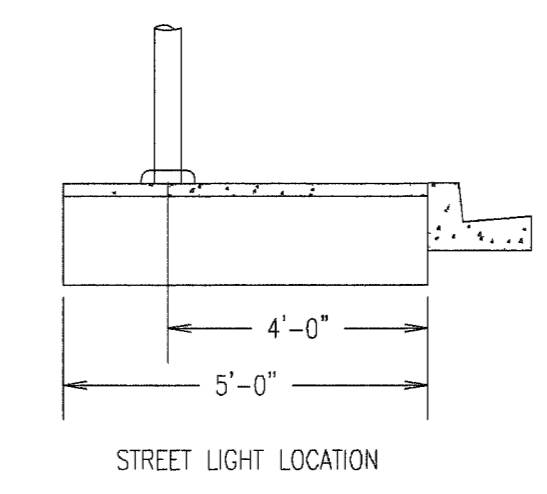
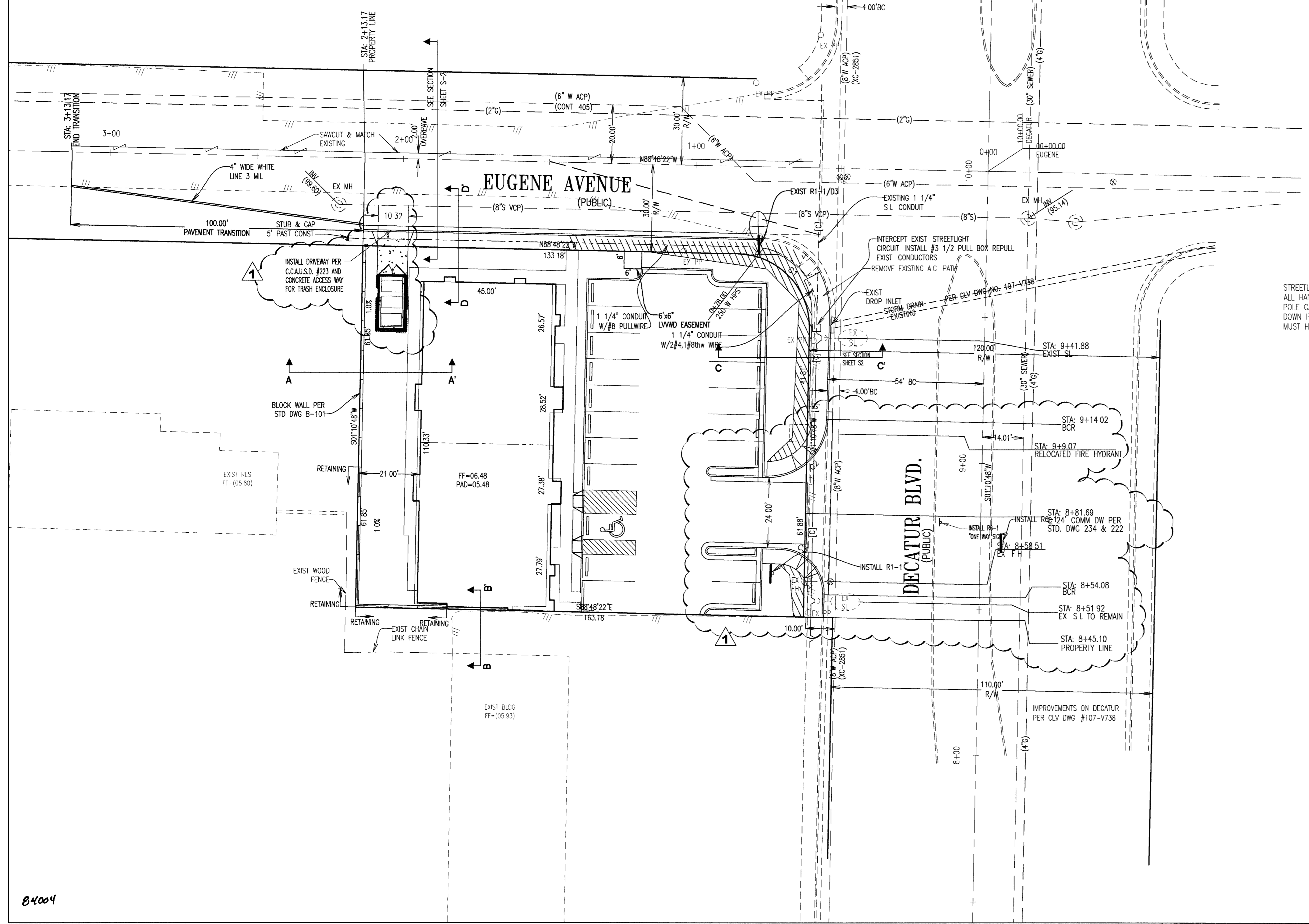
BASIS OF BEARING
 SOUTH 01°10'48" WEST
 BEING THE CENTERLINE OF DECATUR BLVD AS SHOWN ON MAP RECORDED IN BOOK 6 OF PLATS, PAGE 11, CLARK COUNTY NEVADA RECORDS

BENCHMARK
 CITY OF LAS VEGAS BENCHMARK #0LV02-192WW6
 A RIVET AND PLATE LOCATED IN THE TOP OF CURB AT THE NE CORNER OF EUGENE AND DECATUR BLVD.

ELEVATION:
 671.355 METERS (NAVD 88)
 2202.61 FEET (NAVD 88)



REV	DATE	DESCRIPTION	APPROVAL
1		RELOCATE AND ADJUST DRAINAGE DIMENSIONS	
2		RELOCATE TRASH ENCLOSURE	



EXISTING	PROPOSED
	CENTERLINE
	PROPERTY LINE
	EDGE OF PAVEMENT
	CONTOUR W/ ELEVATION
	CURB & GUTTER
	GRADES
	GRADES (BY OTHER)
	SANITARY SEWER MANHOLE
	STORM DRAIN MH
	STREET LIGHT
	WATER VALVE
	POWER POLE
	WALL, TYPE AS NOTED
	NEW AC
	1 1/4" SL CONDUIT

JPL ENGINEERING INC.
 8620 SOUTH EASTERN AVE, SUITE 8
 LAS VEGAS, NV 89123
 Phone (702) 898-6269 • Fax (702) 896-0647

KAMRAN RETAIL
 TRAFFIC AND STREET LIGHTING PLAN
 05 FEB 04

PROFESSIONAL ENGINEER STATE OF NEVADA
 JAMES P. LOPEZ
 EXP. 12-31-05
 CIVIL
 NO. 18915

JOB # J03011
 SHEET NO. T1
 9 OF 10 SHEETS
 CLW 10/19/03/04

84004