

MEDICAL OFFICES

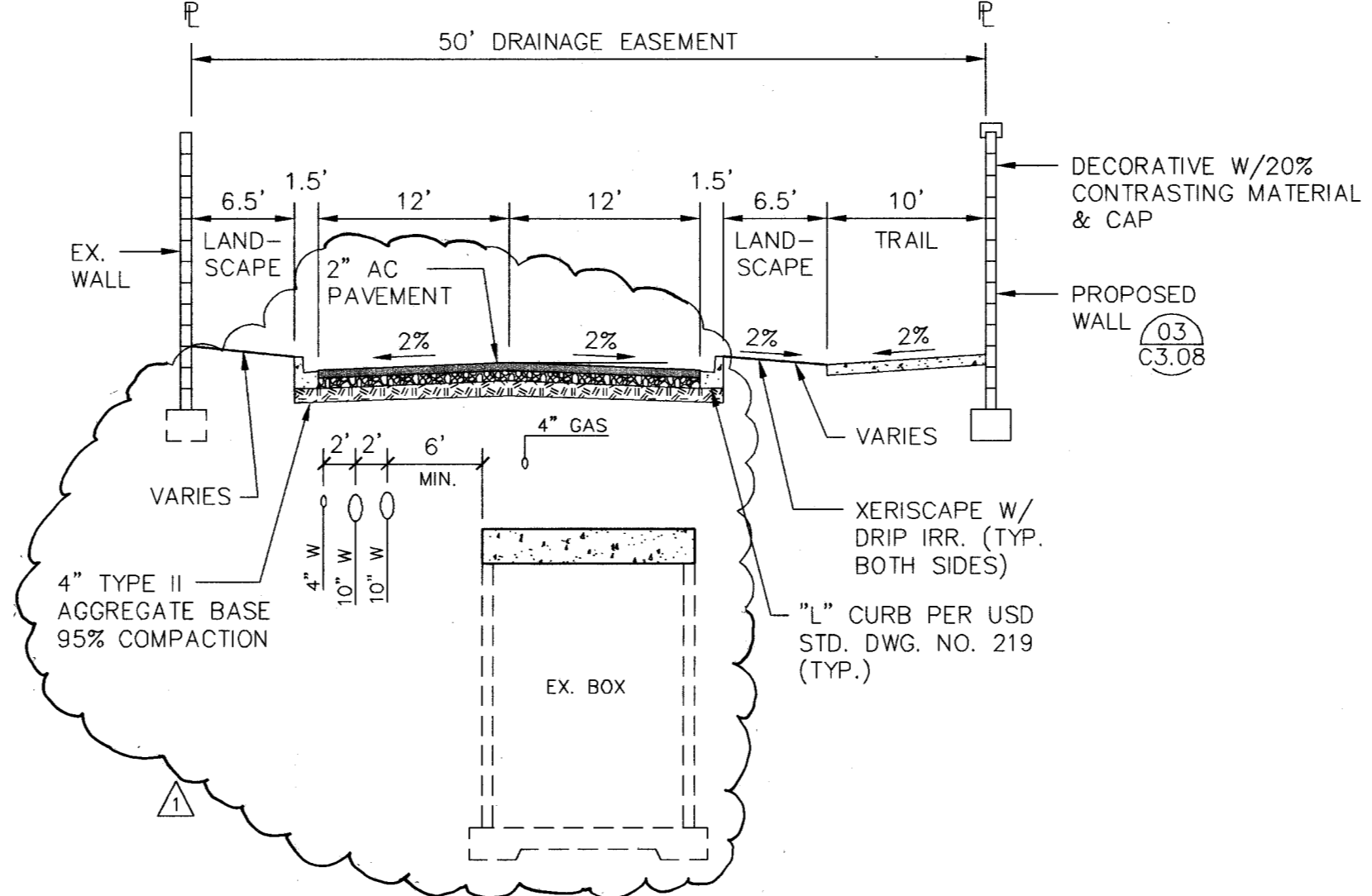
COVERED PARKING

PEDESTRIAN OVERPASS - ELEVATION

NOT TO SCALE

1
C3.03

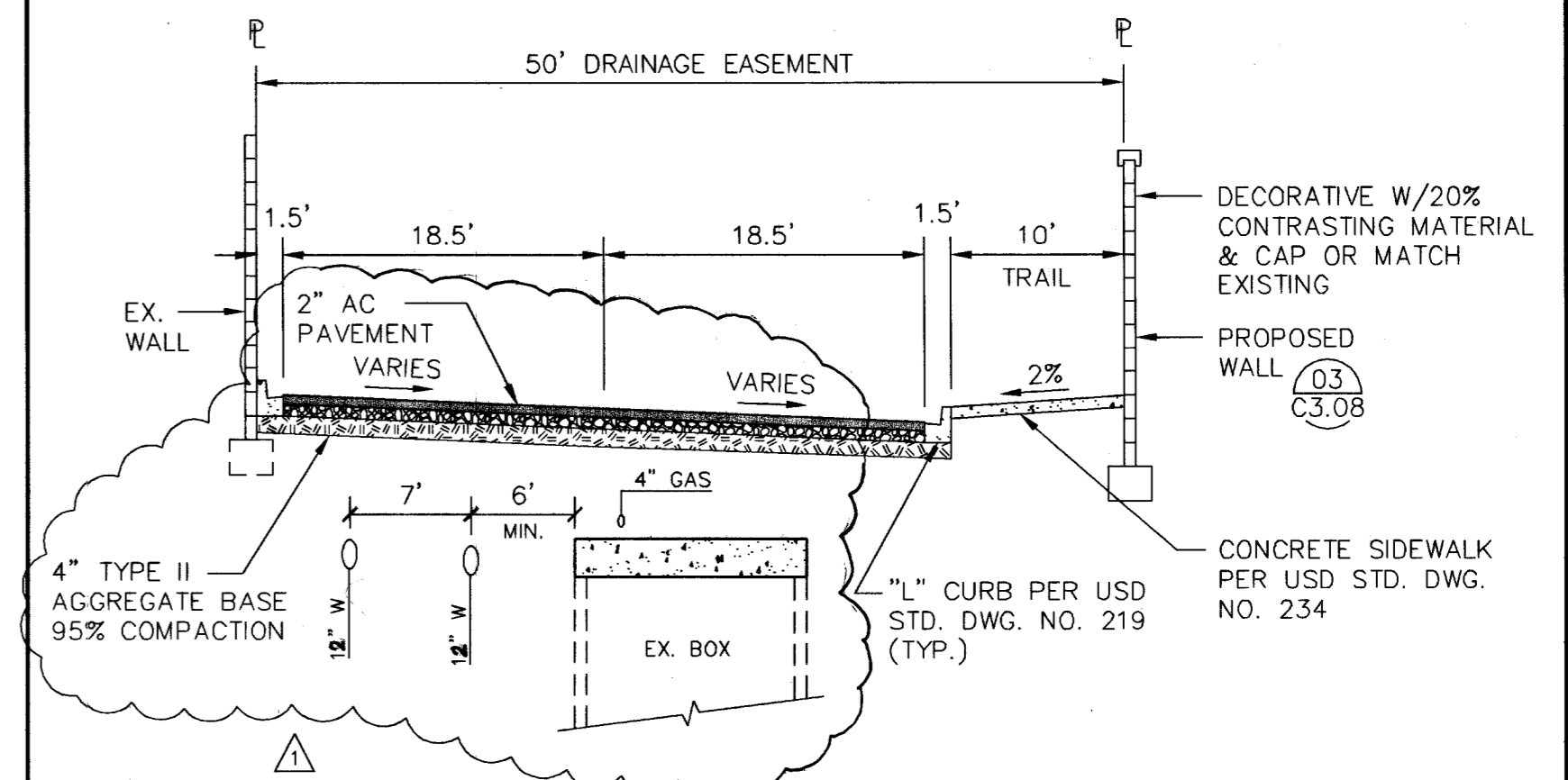
APPROVED FOR CONSTRUCTION
Robert Morgan
 LAS VEGAS VALLEY WATER DISTRICT
 DATE: 3/17/03



TYPICAL ROADWAY SECTION

SCALE: 1" = 10'
 1" = 5' (V)

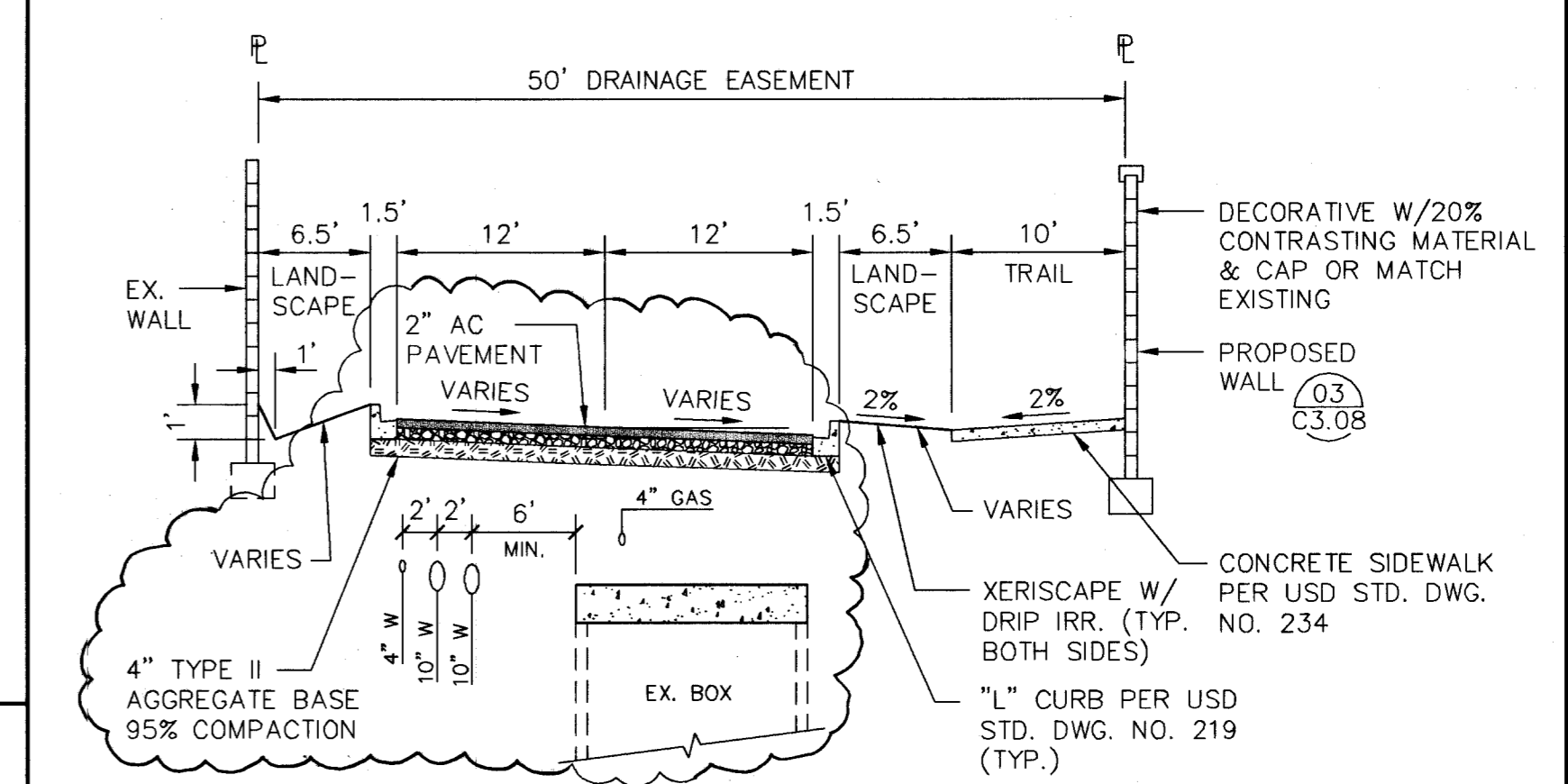
H
C3.03



SECTION AT ENTRANCE

SCALE: 1" = 10' (H)
 1" = 5' (V)

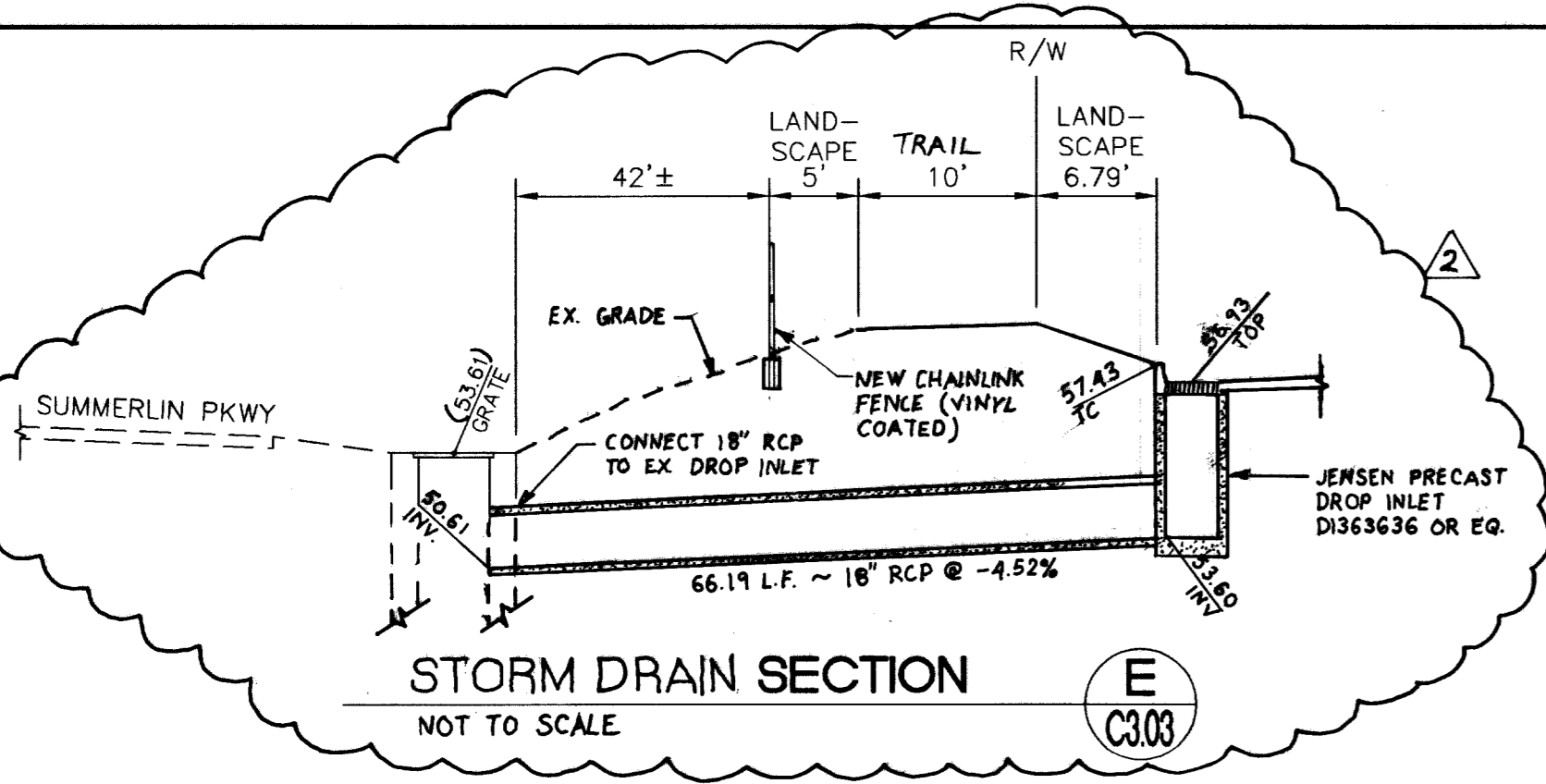
A
C3.03



ROADWAY SECTION

SCALE: 1" = 10'
 1" = 5' (V)

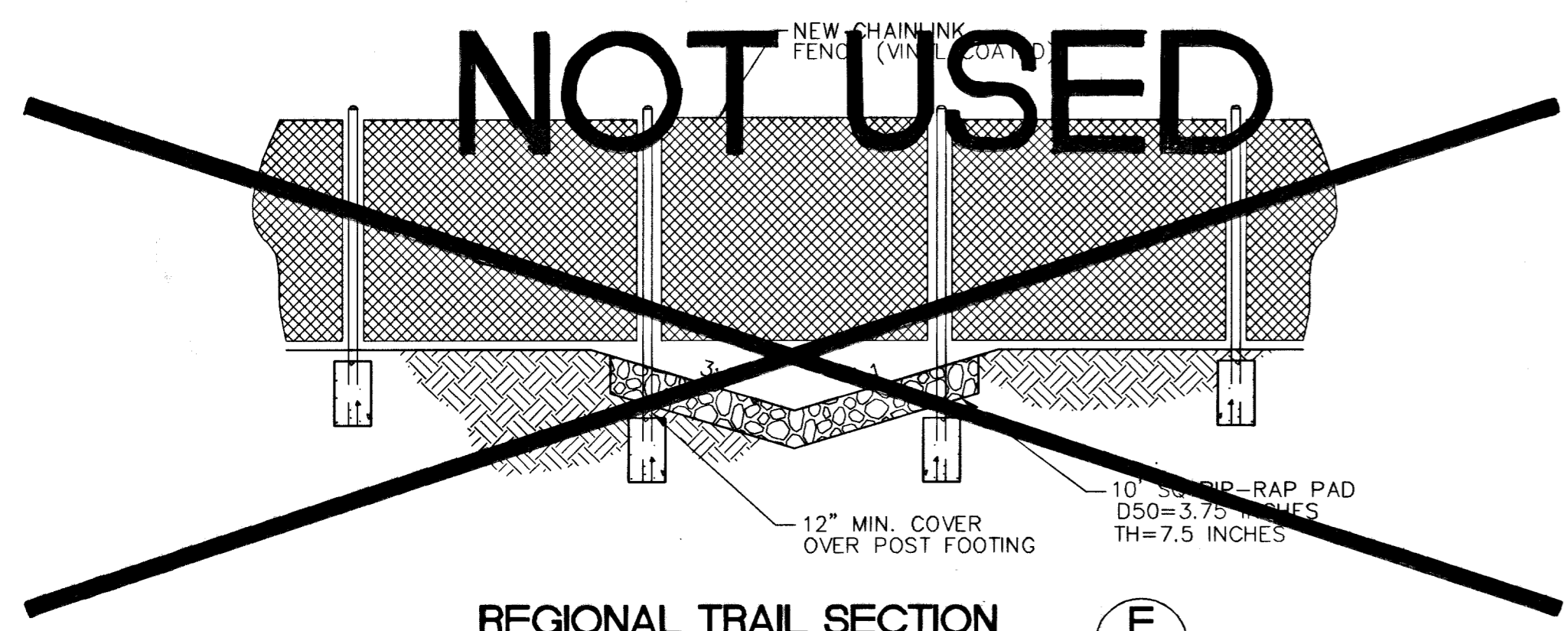
B
C3.03



STORM DRAIN SECTION

NOT TO SCALE

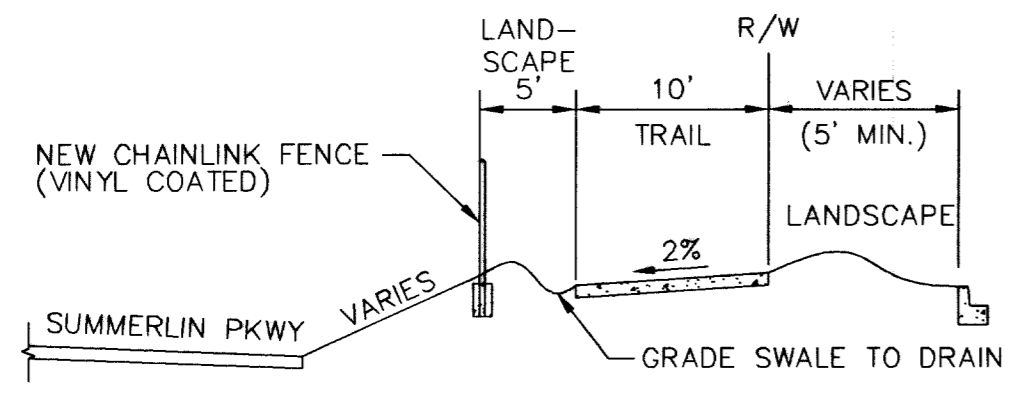
E
C3.03



REGIONAL TRAIL SECTION

SCALE: 1" = 4'

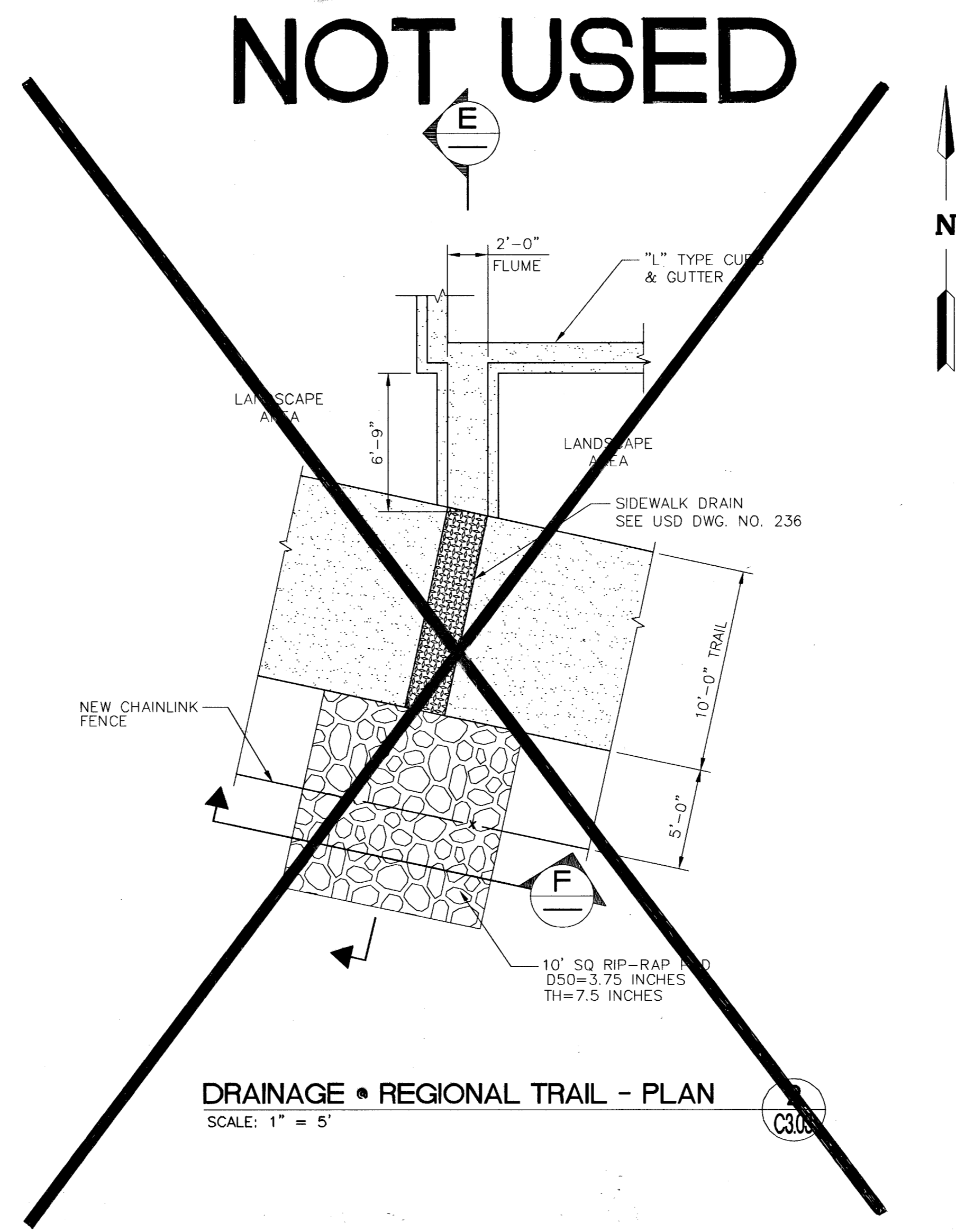
F
C3.03



REGIONAL TRAIL SECTION

SCALE: 1" = 10'

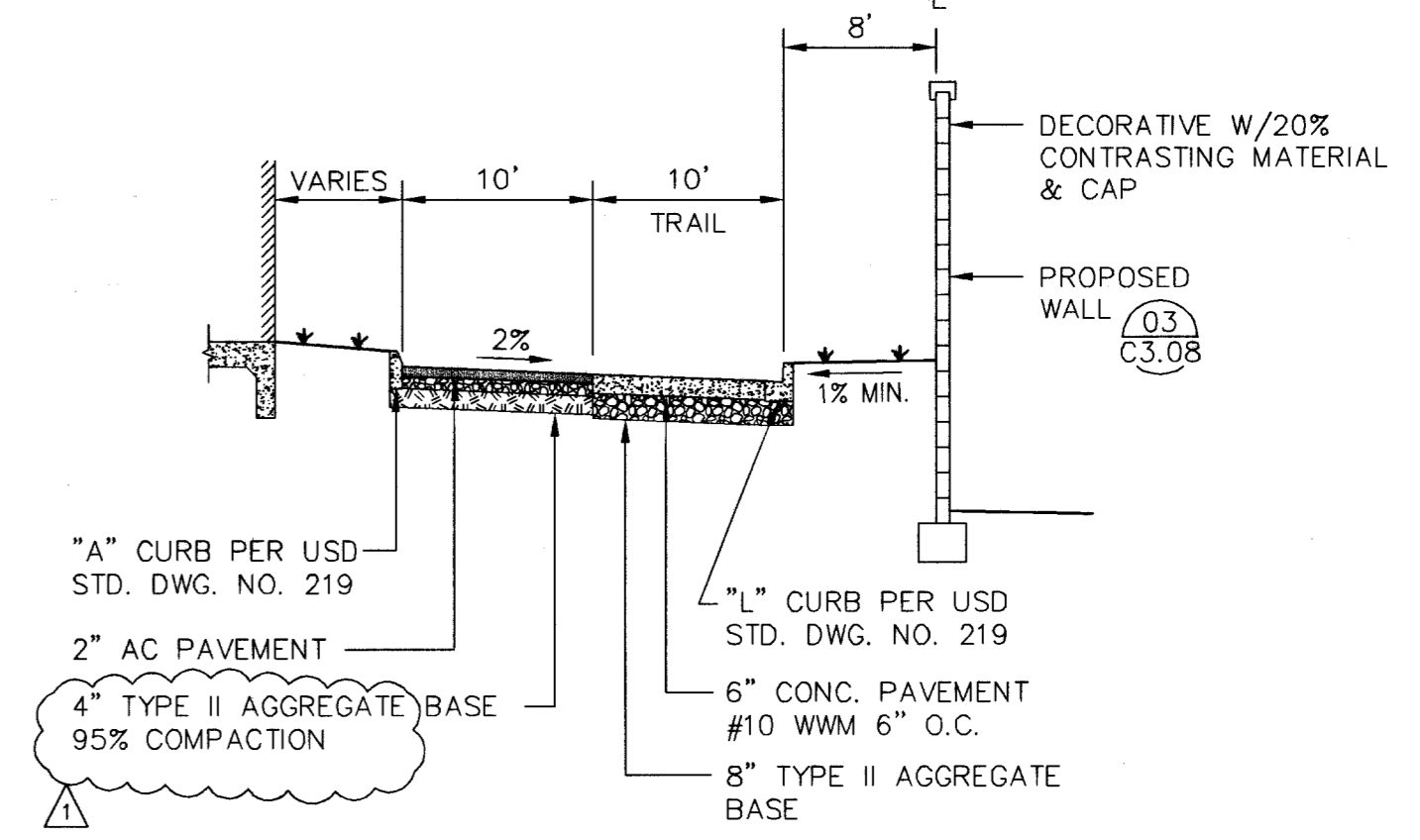
G
C3.03



DRAINAGE • REGIONAL TRAIL - PLAN

SCALE: 1" = 5'

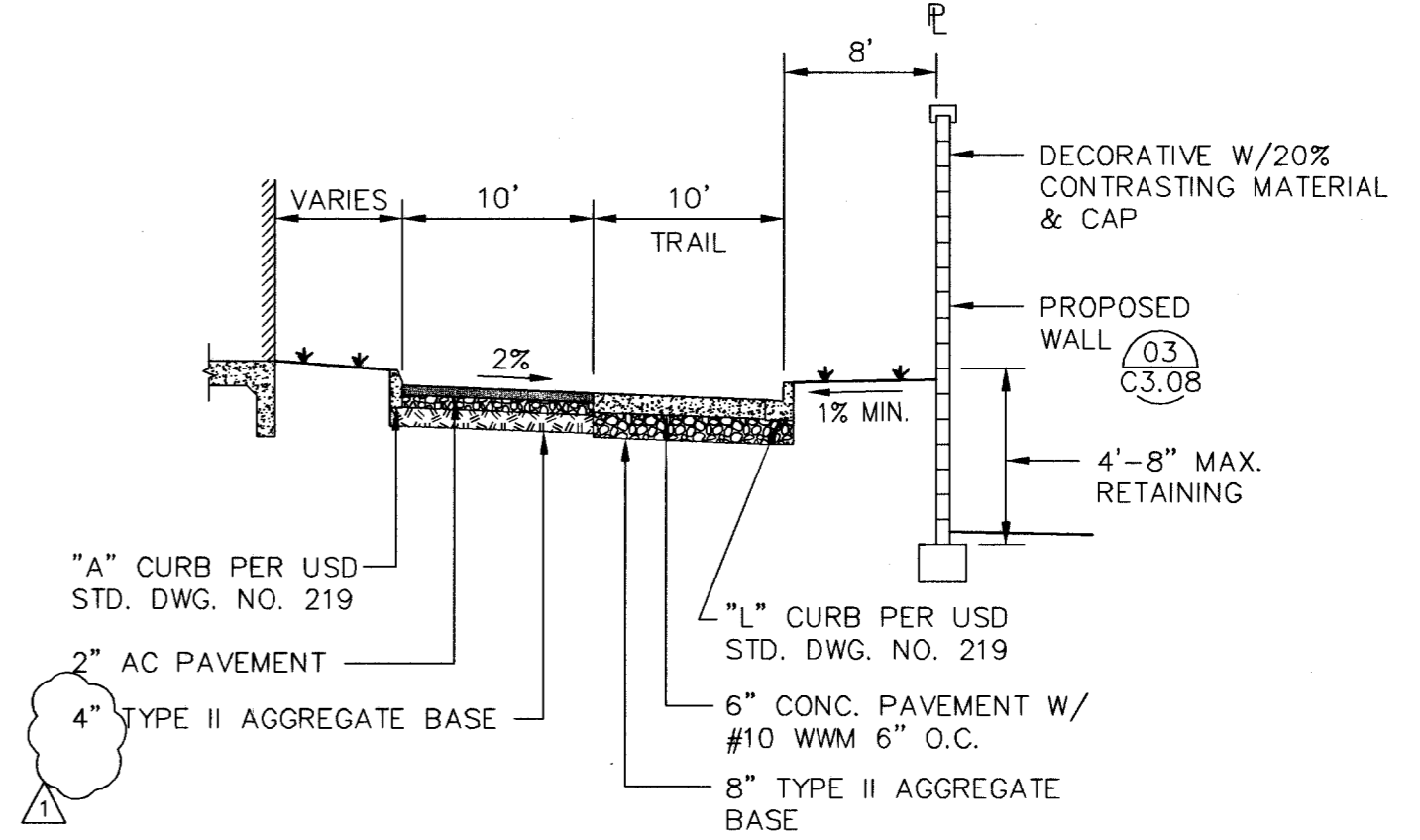
F
C3.03



TYPICAL ROADWAY SECTION

SCALE: 1" = 10'

C
C3.03



TYPICAL ROADWAY SECTION

SCALE: 1" = 10'

D
C3.03

LONGFORD GROUP 3077 E. WARM SPRINGS ROAD LAS VEGAS, NEVADA 89120 (702) 454-5300	WRIGHT CIVIL ENGINEERS, INC. 7425 PEAK DRIVE LAS VEGAS, NEVADA 89128 (702) 933-7000 FAX (702) 933-7001
DRAWN BY: DD DESIGNED BY: JO CHECKED BY: JO	PROJECT NO: 2311801 SCALE: AS SHOWN
DRAWN: 07/15/03 DESIGNED: 02/26/03 CHECKED: 02/26/03	SHEET: 12-17-03 SHEET C3.03 12 OF 17 SHEETS DRAWING NO.
LONGFORD MEDICAL OFFICE BUILDING PHASE II SITE IMPROVEMENTS	
REVISIONS:	

66787-2 70199

RELOT

07/3853-2