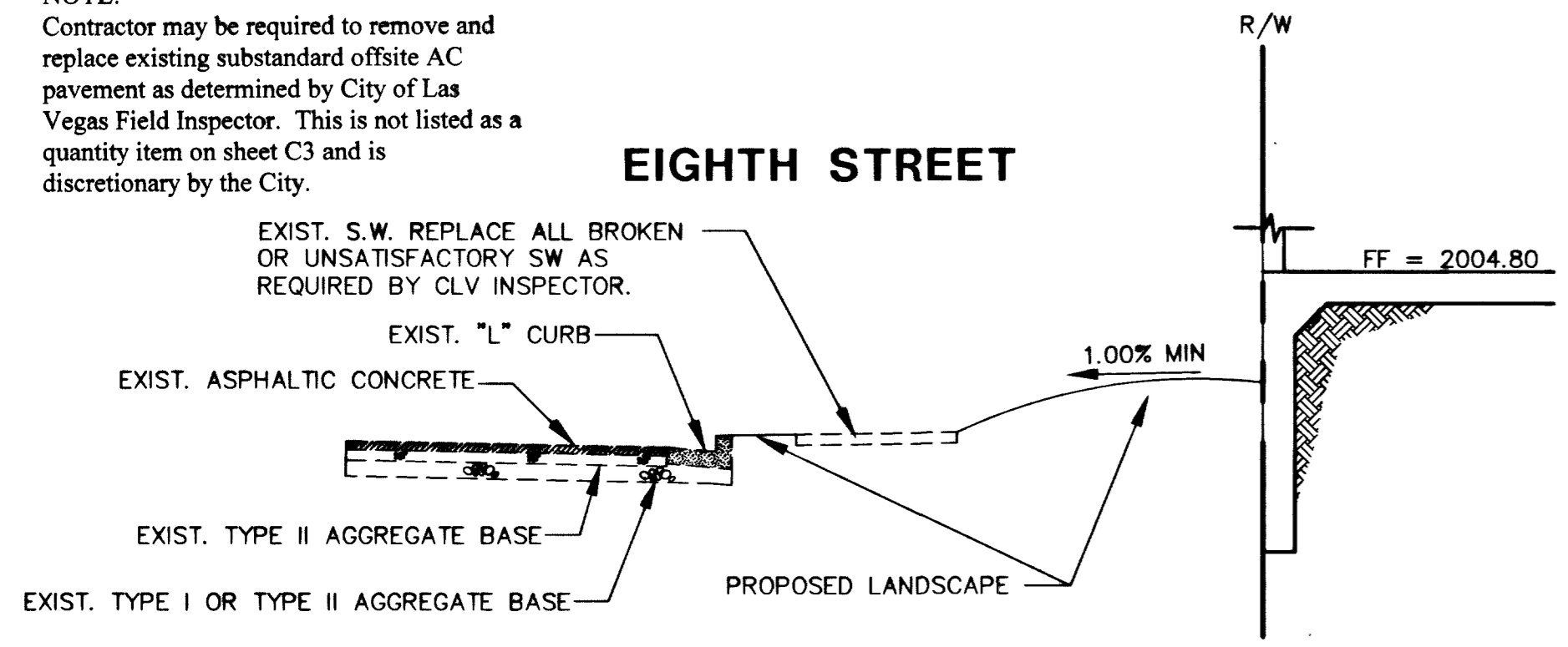
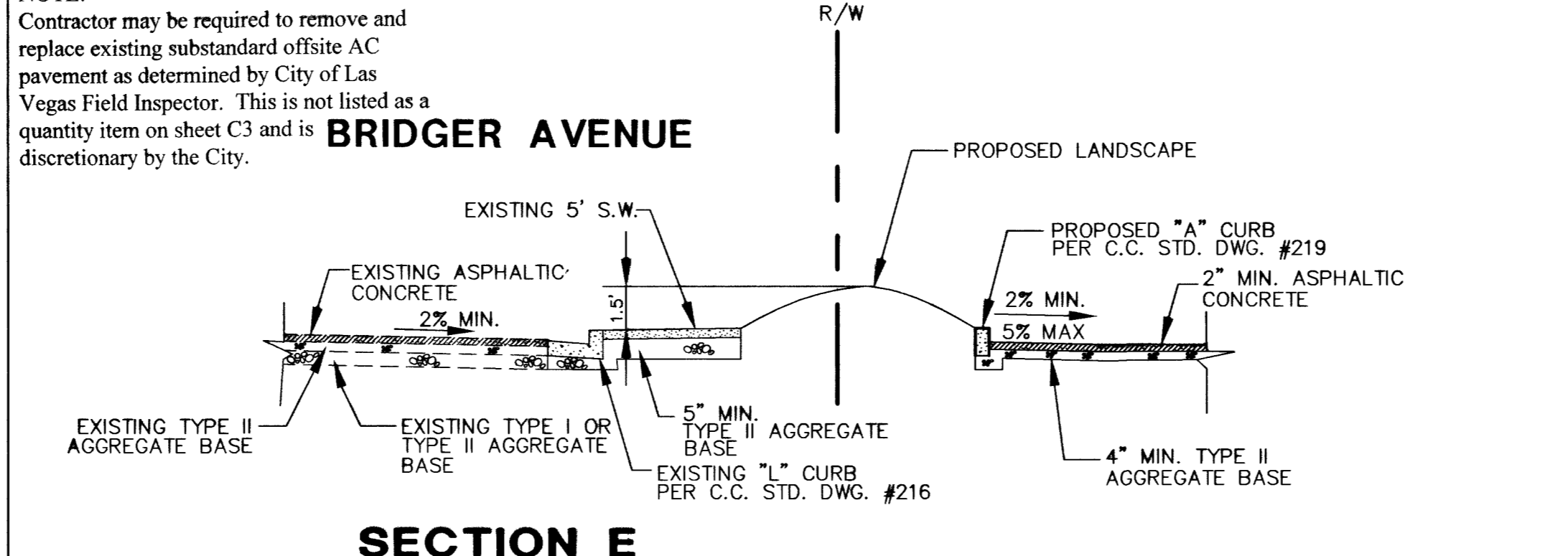


NOTE:  
Contractor may be required to remove and replace existing substandard offsite AC pavement as determined by City of Las Vegas Field Inspector. This is not listed as a quantity item on sheet C3 and is discretionary by the City.

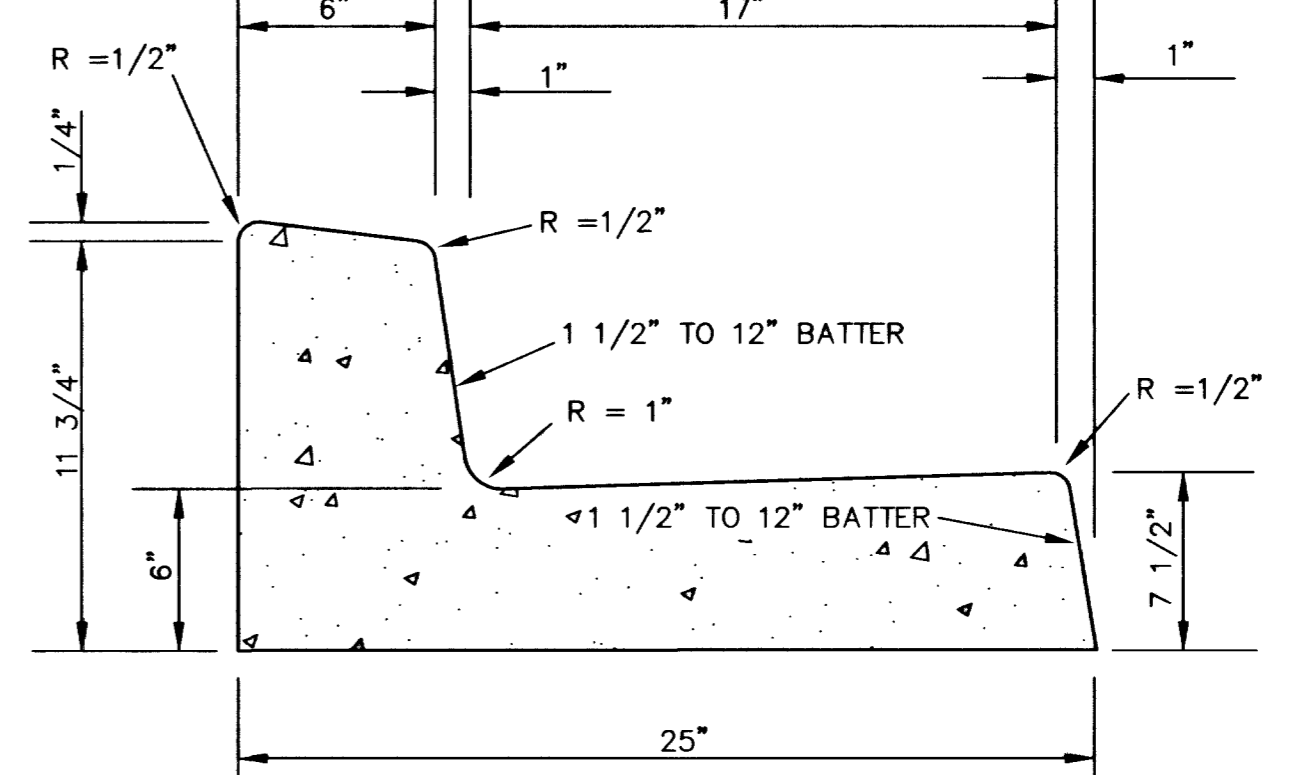


**SECTION A**  
NOT TO SCALE

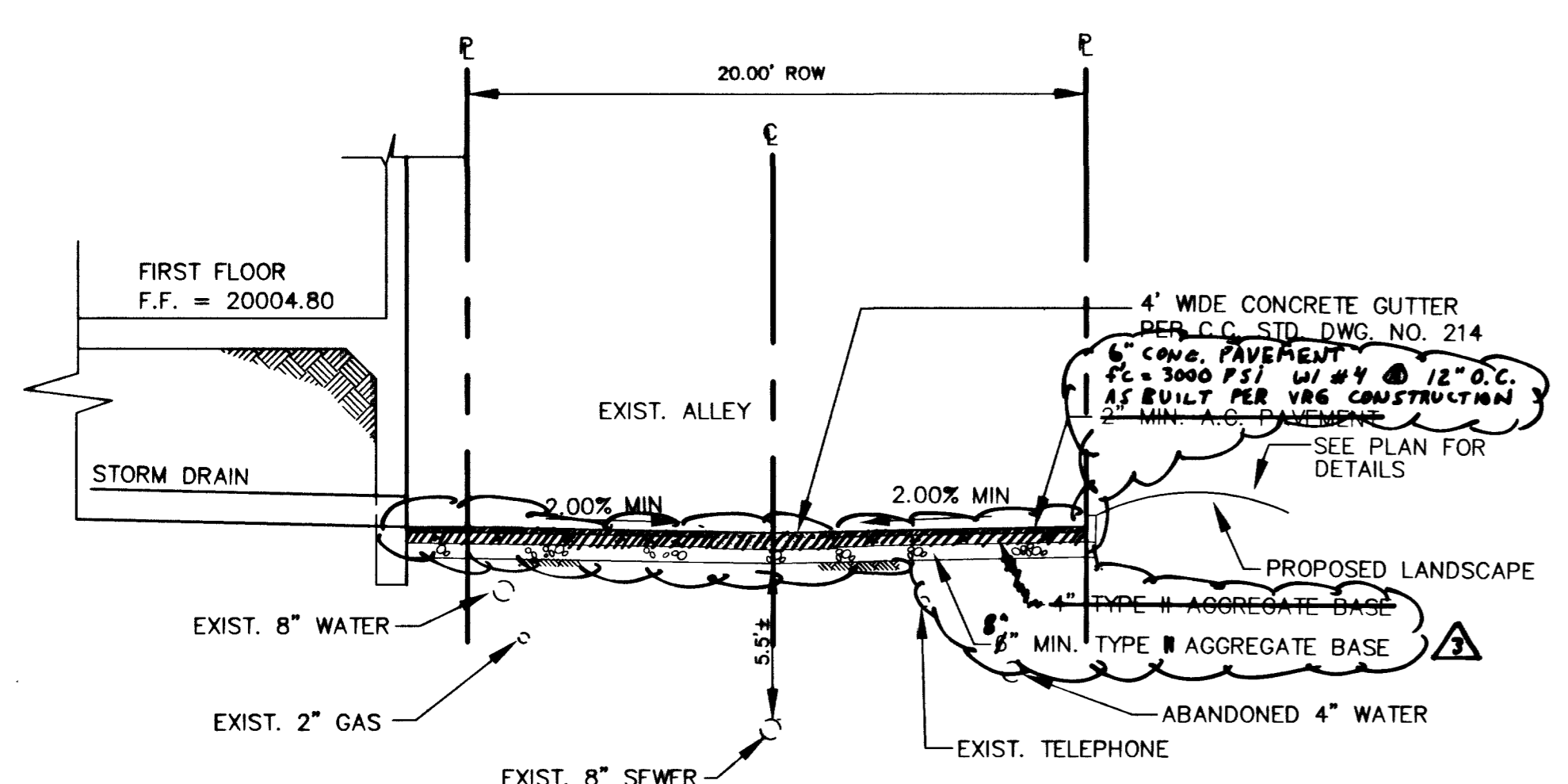
NOTE:  
Contractor may be required to remove and replace existing substandard offsite AC pavement as determined by City of Las Vegas Field Inspector. This is not listed as a quantity item on sheet C3 and is discretionary by the City.



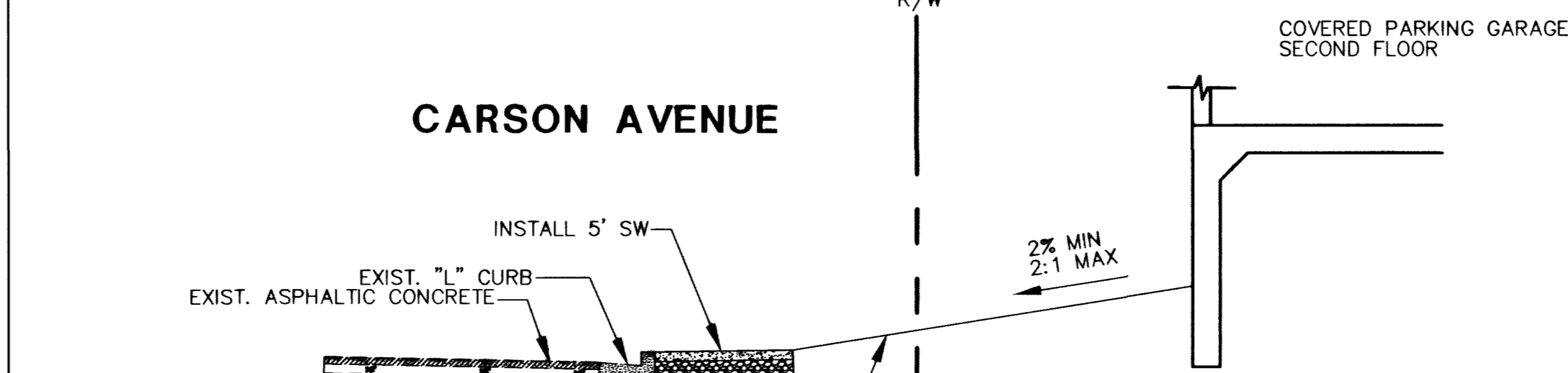
**SECTION E**  
NOT TO SCALE



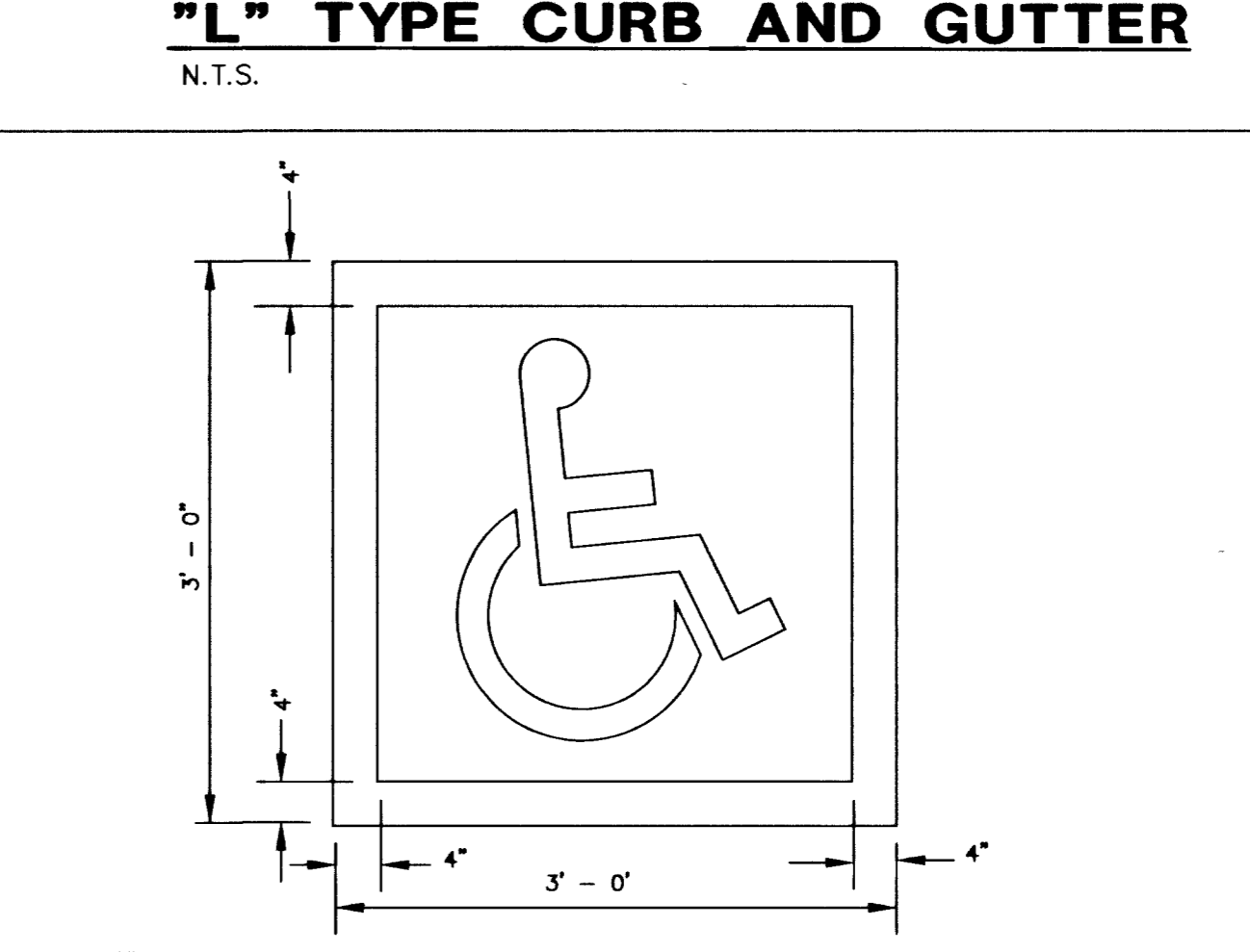
**"L" TYPE CURB AND GUTTER**  
N.T.S.



**SECTION B**  
NOT TO SCALE

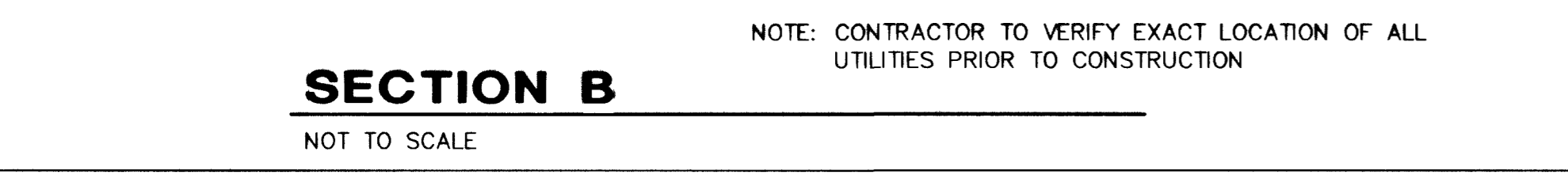


**SECTION F**  
NOT TO SCALE

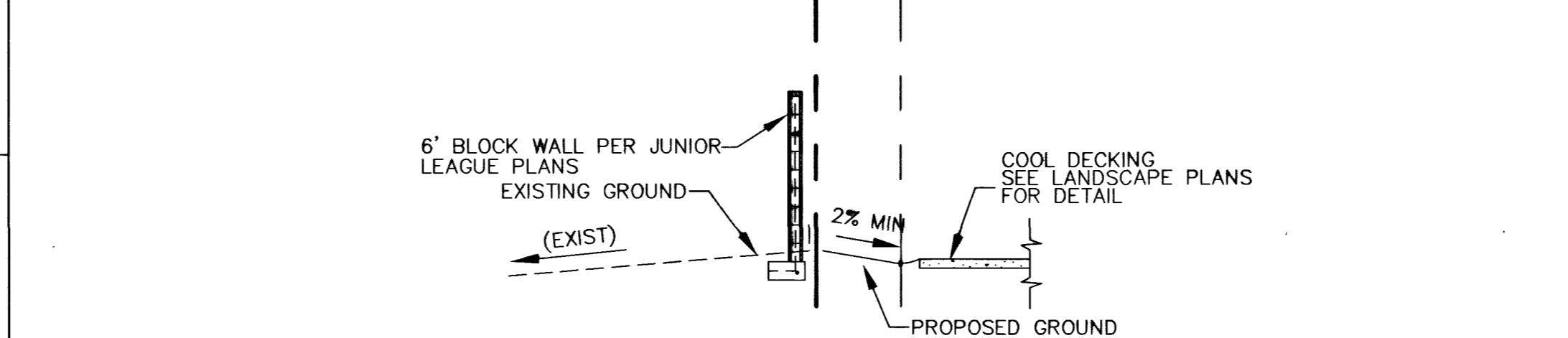


**HANDICAP SYMBOL DETAIL**  
N.T.S.

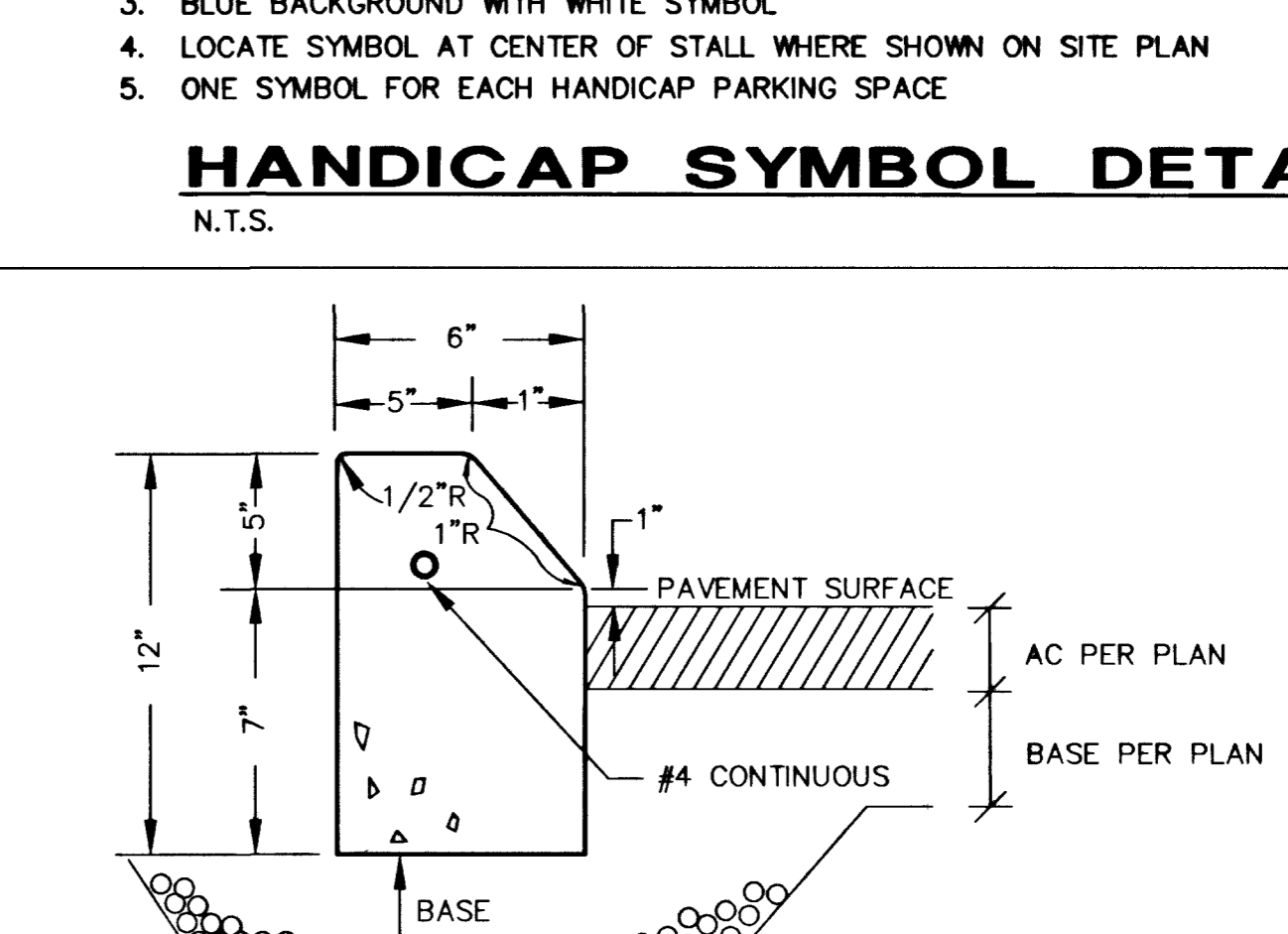
NOTE:  
Contractor may be required to remove and replace existing substandard offsite AC pavement as determined by City of Las Vegas Field Inspector. This is not listed as a quantity item on sheet C3 and is discretionary by the City.



**SECTION G**  
NOT TO SCALE



**SECTION H**  
NOT TO SCALE

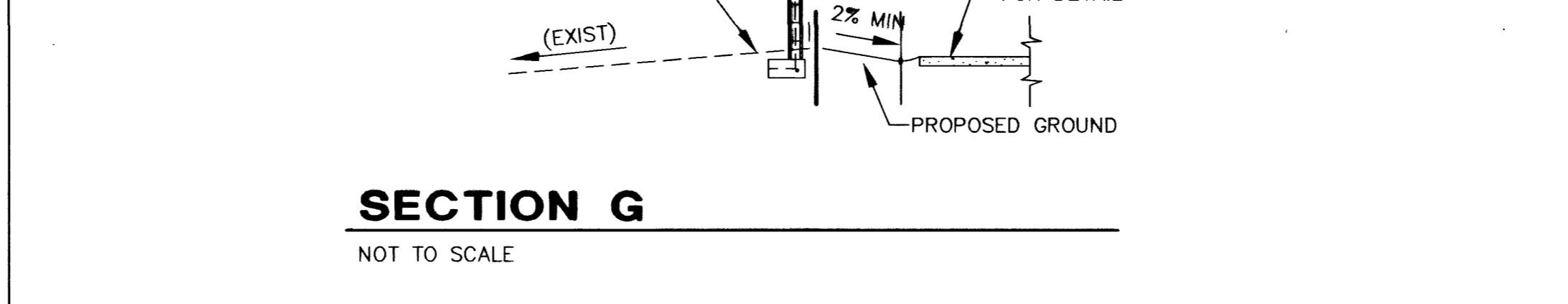


**TYPE "A" CURB SECTION**  
N.T.S.

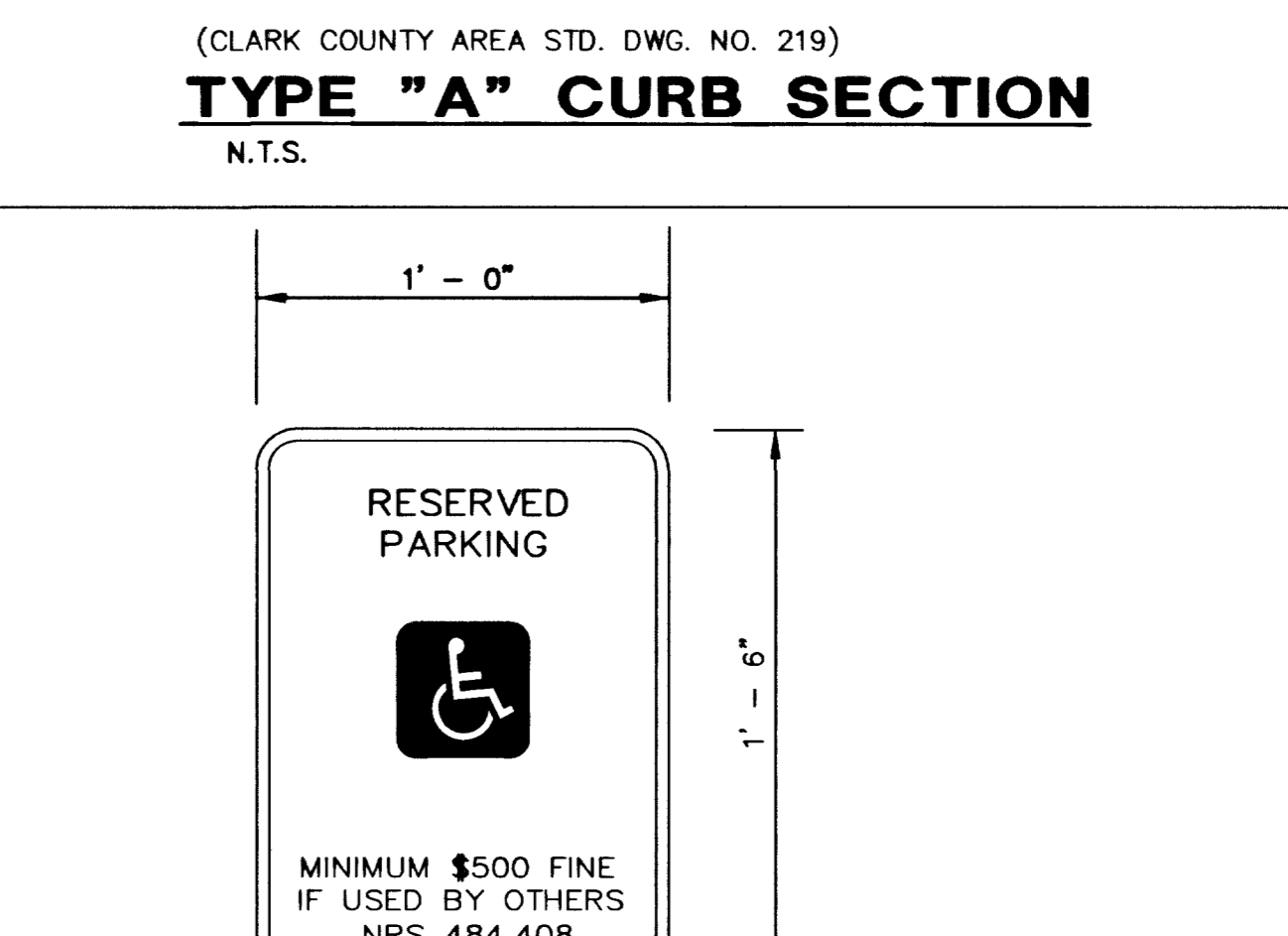
NOTE:  
Contractor may be required to remove and replace existing substandard offsite AC pavement as determined by City of Las Vegas Field Inspector. This is not listed as a quantity item on sheet C3 and is discretionary by the City.



**SECTION I**  
NOT TO SCALE

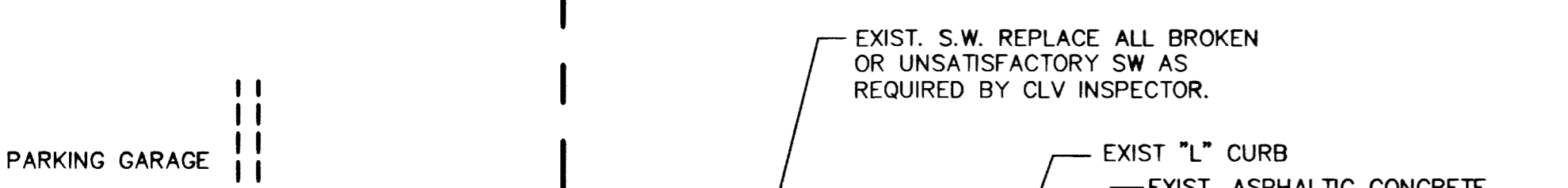


**SECTION J**  
NOT TO SCALE

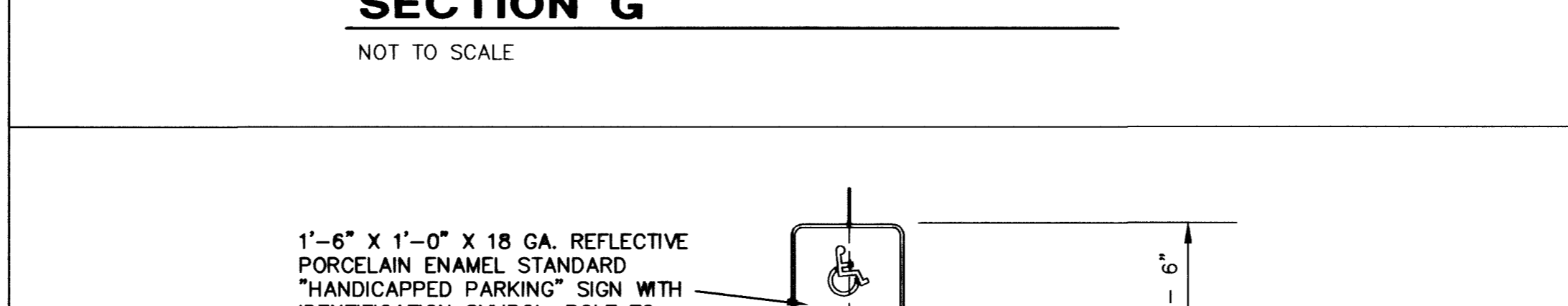


**HANDICAP SIGN**  
N.T.S.

NOTE:  
Contractor may be required to remove and replace existing substandard offsite AC pavement as determined by City of Las Vegas Field Inspector. This is not listed as a quantity item on sheet C3 and is discretionary by the City.



**SECTION K**  
NOT TO SCALE

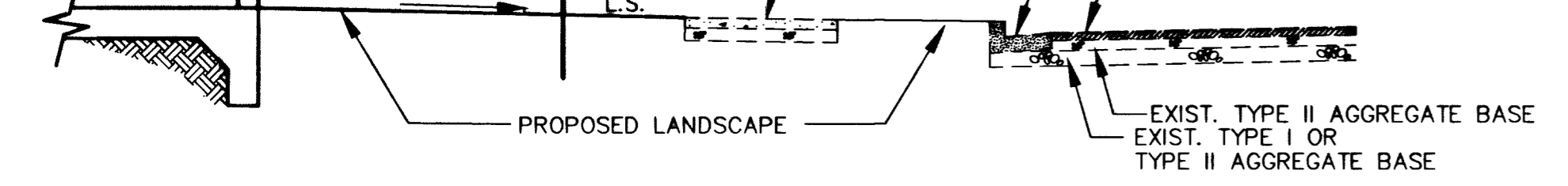


**SECTION L**  
NOT TO SCALE

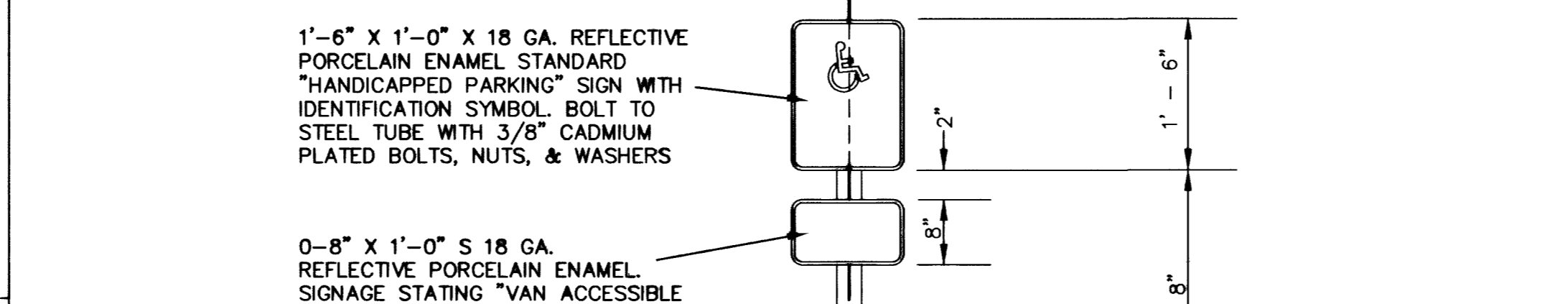


**HANDICAP SIGN DETAIL**  
N.T.S.

NOTE:  
Contractor may be required to remove and replace existing substandard offsite AC pavement as determined by City of Las Vegas Field Inspector. This is not listed as a quantity item on sheet C3 and is discretionary by the City.

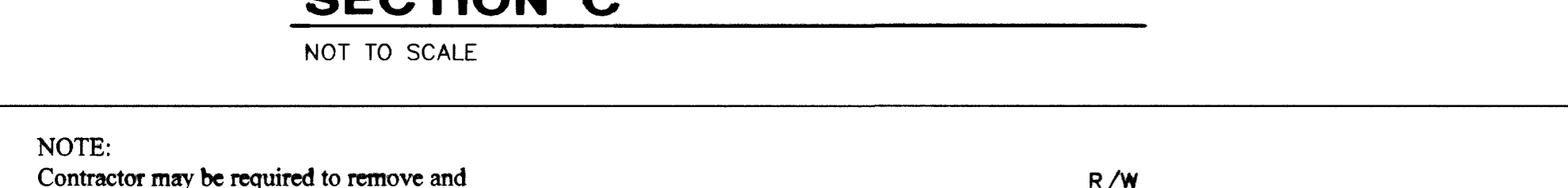


**SECTION M**  
NOT TO SCALE

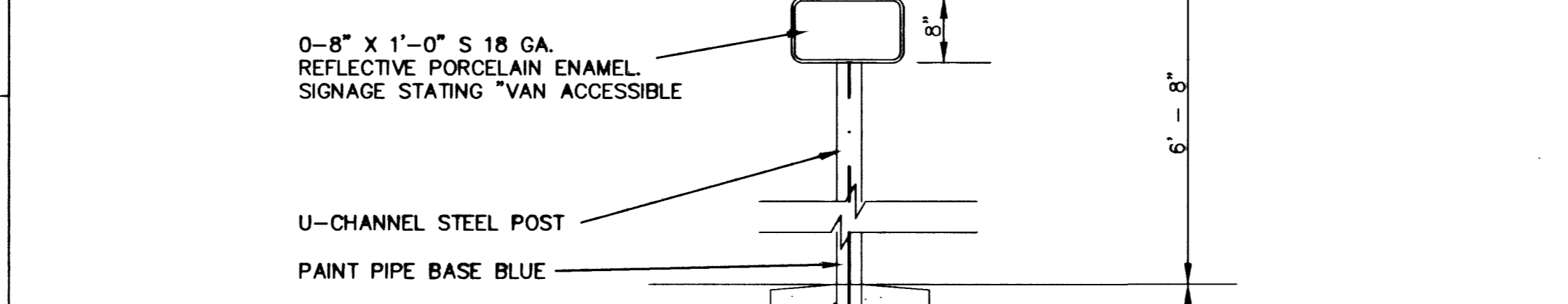


**SECTION N**  
NOT TO SCALE

NOTE:  
Contractor may be required to remove and replace existing substandard offsite AC pavement as determined by City of Las Vegas Field Inspector. This is not listed as a quantity item on sheet C3 and is discretionary by the City.



**SECTION O**  
NOT TO SCALE

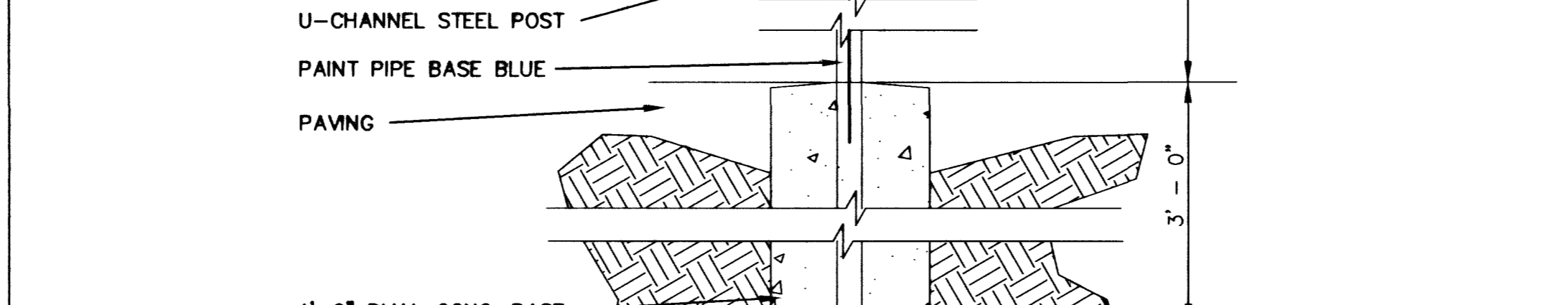


**SECTION P**  
NOT TO SCALE

NOTE:  
Contractor may be required to remove and replace existing substandard offsite AC pavement as determined by City of Las Vegas Field Inspector. This is not listed as a quantity item on sheet C3 and is discretionary by the City.

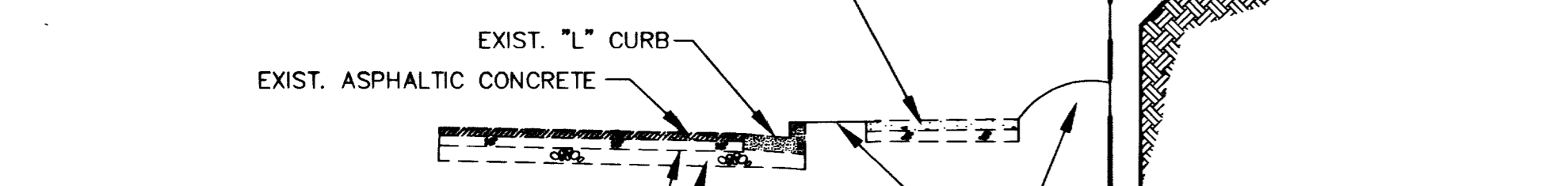


**SECTION Q**  
NOT TO SCALE

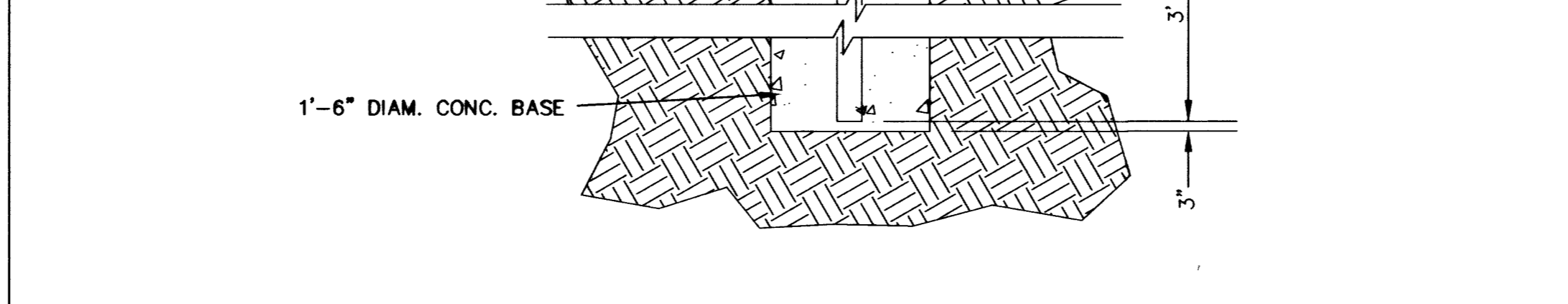


**SECTION R**  
NOT TO SCALE

NOTE:  
Contractor may be required to remove and replace existing substandard offsite AC pavement as determined by City of Las Vegas Field Inspector. This is not listed as a quantity item on sheet C3 and is discretionary by the City.



**SECTION S**  
NOT TO SCALE



**SECTION T**  
NOT TO SCALE

REV	DATE	BY	REVISION
1	1/14/02	JJM	REVISED ALLEY TO CONCRETE PER CITY OF LAS VEGAS FIELD INSPECTOR TO JOIN WITH BRIDGER AVENUE
2	2/28/02	OFJ/JG	REVISED ALLEY TO CONCRETE PER CITY OF LAS VEGAS FIELD INSPECTOR TO JOIN WITH BRIDGER AVENUE

SDA  
 5605 DTC HWY. STE. B-2600  
 6000 COVINGTON BLVD. SUITE 800  
 LAS VEGAS, NV 89120-0600 EXT. 221  
 (702) 220-0600 EXT. 221

The WLB Group  
 Engineering • Landscape Architecture  
 Planning • Urban Design • Surveying  
 2551 N. Green Valley Pkwy. Suite A425  
 HENDERSON, NV 89014-7021 458-2351

SHEET TITLE: **DETAIL SHEET**  
 PROJECT: **LAS VEGAS CITY CENTER APARTMENTS**

Drawn by: **OFJ/JG**  
 Designed by: **JJM**  
 Checked by: **ANS**  
 Project No.: **400074-A-001**  
 Scale: **AS SHOWN AS SHOWN**

2/28/02  
 SEAL  
 PROFESSIONAL ENGINEER - CIVIL  
 STATE OF NEVADA  
 NO. 798  
 SHEET **C8**  
 OF **C9**  
 DRAWING NO. **107-V3566**