

REDUCED PRESSURE PRINCIPLE ASSEMBLY
 L-1 LV2

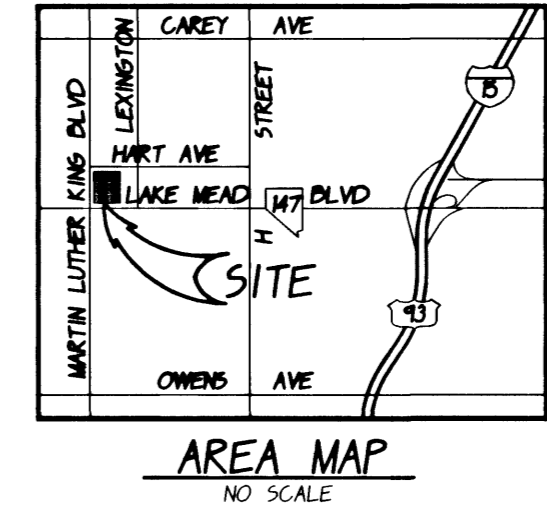
APPROVED REDUCED PRESSURE PRINCIPLE ASSEMBLY(S) SHALL BE INSTALLED PER THE LDACS PLATE NO. 10 IN NO WATER SHALL BE TAKEN FROM A SERVICE REQUIRING BACKFLOW PREVENTION UNTIL THE REDUCED PRESSURE PRINCIPLE ASSEMBLY HAS BEEN SUCCESSFULLY TESTED BY THE LVWD.

ANY BLOCK WALL OR OTHER FENCE MATERIAL SHALL BE DESIGNED AND CONSTRUCTED AROUND THE OUTSIDE OF THE EASEMENTS TO ALLOW THE DISTRICT DIRECT ACCESS FROM THE ADJACENT RIGHT-OF-WAY.

NOTE:

SEE SHEET C3 FOR CURB DATA TABLES, SIDEWALK RAMP DATA TABLE, BOUNDARY DATA TABLE AND QUANTITIES.

SEE SHEET C2 FOR UTILITY NOTES, LEGENDS AND FIRE FLOW DATA.



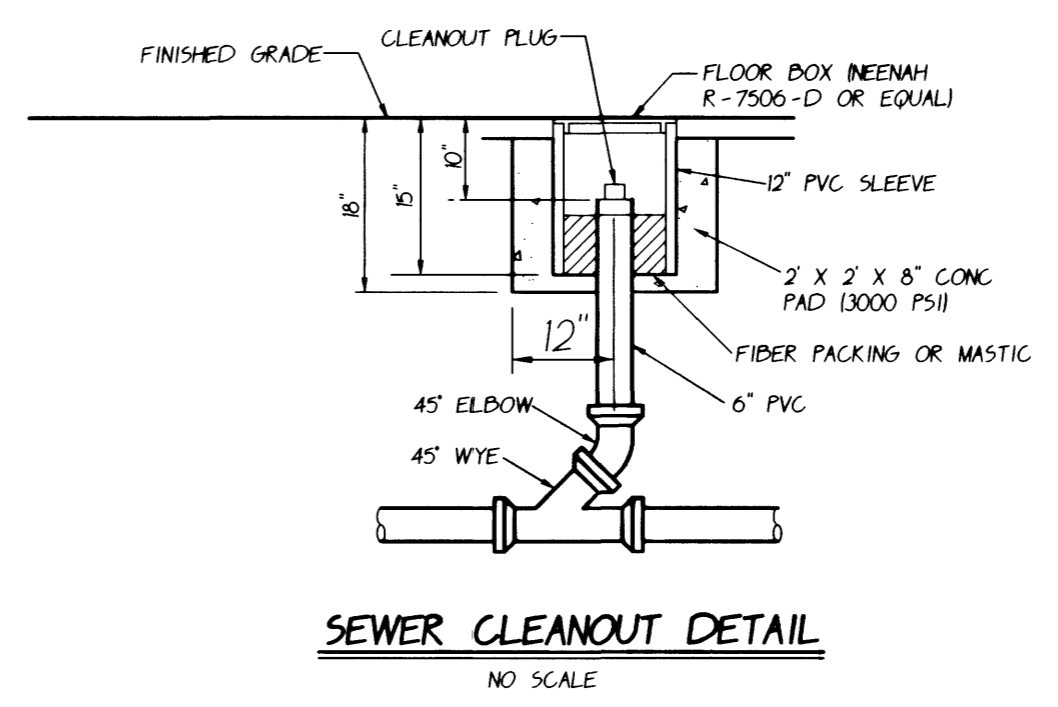
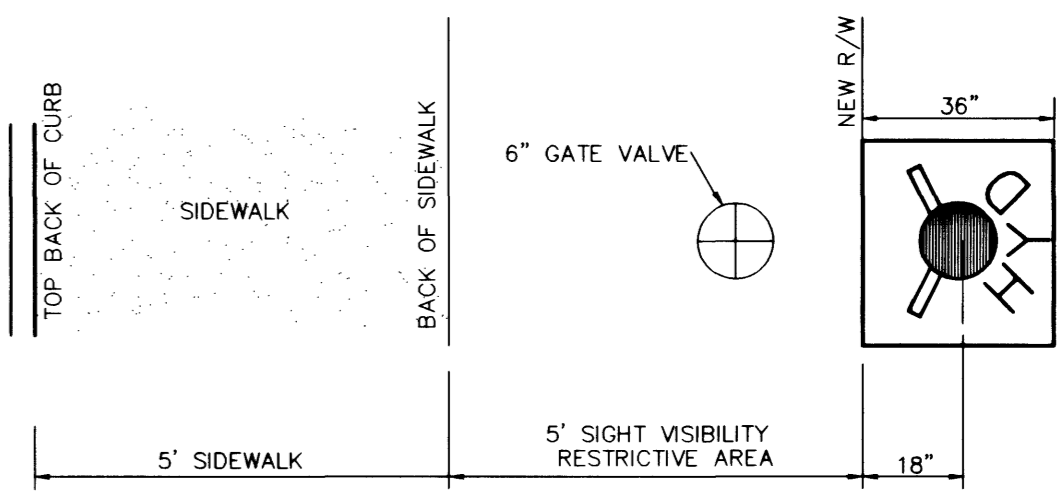
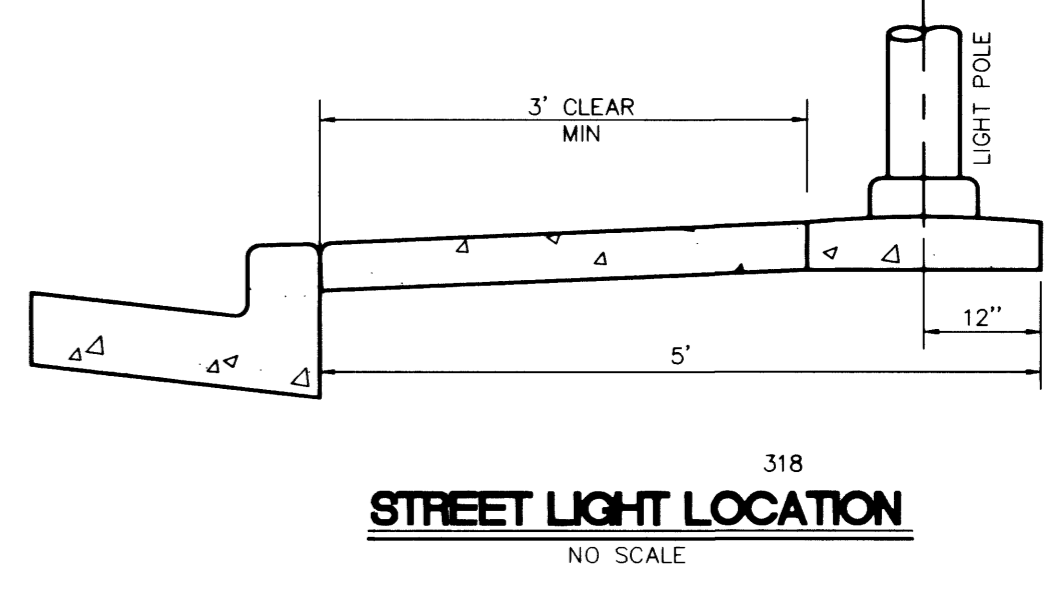
ABANDONMENT OF EXISTING SERVICES 2" AND SMALLER

HART - LOCATE AND ABANDON 8" EXISTING 5/8" METER (ACCOUNT NUMBER 60940 / NO METER) AND 2" EXISTING 5/8" METER (ACCOUNT NUMBER 60944 / NO METER)

LAKE MEAD - ABANDON EXISTING 5/8" METER (ACCOUNT NUMBER 60901 / NO METER)

THE CONTRACTOR SHALL NOTIFY THE INSPECTION DIVISION AT THE LVWD (702-258-3271) 48 HOURS PRIOR TO THE REQUESTED REMOVAL TIME TO ALLOW THE DISTRICT TO TAKE THE FINAL METER READING OF THE METER. AFTER THE FINAL READING, THE EXISTING METERS SHALL BE REMOVED AND DELIVERED TO THE DISTRICT. THE CONTRACTOR MAY THEN BEGIN REMOVAL PROCEDURES FOR THE AFFECTED SERVICE AS FOLLOWS:

EXISTING SERVICE LATERALS THAT ARE TO BE ABANDONED FROM THE EXISTING WATER MAIN SHALL HAVE THE CORPORATION STOP TURNED OFF AT THE MAIN A MINIMUM OF 12" OF THE LATERAL CUT OUT NEAR THE CORPORATION STOP AND A BRASS GAP INSTALLED ON THE CORPORATION STOP. IF THE CORPORATION STOP IS DAMAGED BEYOND REPAIR OR PULLED FROM THE EXISTING WATER MAIN, THE MAIN SHALL BE REPAIRED AT THE CONTRACTOR'S EXPENSE. IN A MANNER APPROVED BY THE LVWD. IF THE CORPORATION STOP IS NOT WATER TIGHT, THE CONTRACTOR SHALL NOTIFY LVWD COMMUNICATION SUPPORT CENTER (702-258-7771) FOR FURTHER DIRECTION. THE CONTRACTOR SHALL REMOVE THE EXISTING SERVICE METER BOX AND APPURTENANCES, FILL AND GRADE ANY AND ALL RESULTING VOIDS AND RESTORE TO ORIGINAL CONDITIONS OR BETTER, ALL LANDSCAPING, IRRIGATION SYSTEMS, CONCRETE, SIDEWALKS, ASPHALT, OR ANY OTHER ITEMS DAMAGED OR REMOVED DURING THE REMOVAL OF THE EXISTING SERVICE METER BOX.



NOTICE

EXISTING UTILITIES ARE SHOWN ON PLANS FOR THE CONVENIENCE OF THE CONTRACTOR ONLY. THE CONTRACTOR IS RESPONSIBLE FOR THE PROTECTION OF ALL UTILITIES. THE ENGINEER BEARS NO RESPONSIBILITY FOR UTILITIES NOT SHOWN OR SHOWN INCORRECTLY.

1-800-227-5600
 (REDUCED SERVICE (USA))

Call BEFORE You Dig

NOTE: CORNERSTONE ENGINEERING INC

ASSUMES NO RESPONSIBILITY FOR EXISTING UTILITY LOCATIONS, SHOWN OR NOT SHOWN. THE UTILITIES SHOWN ON THIS DRAWING HAVE BEEN PLOTTED FROM RECORD INFORMATION AND ARE FOR THE CONVENIENCE OF THE CONTRACTOR ONLY. THE CONTRACTOR IS RESPONSIBLE TO FIELD VERIFY THE LOCATIONS AND DEPTHS OF ALL RELEVANT UTILITIES PRIOR TO COMMENCING WITH CONSTRUCTION. THE CONTRACTOR IS RESPONSIBLE TO NOTIFY THE ENGINEER OF WORK, IN WRITING, OF ANY CONFLICTS OR DISCREPANCIES.

CONSTRUCTION NOTE:

ALL EXISTING UTILITY STRUCTURES WITHIN CONSTRUCTION AREA SHALL BE ADJUSTED TO MATCH FINISH GRADE (I.E., WY. BOX, WMH, ANNODE BOX, FH, TEL. BOX, ETC)

NOTE:

ALL DIMENSIONS TO UTILITIES ARE TO CENTERLINE OF PIPE UNLESS INDICATED OTHERWISE

CONTRACTOR SHALL VERIFY HORIZONTAL AND VERTICAL ALIGNMENT OF EXISTING UTILITIES AND TO NOTIFY THE DESIGN ENGINEER IMMEDIATELY ON ANY DISCREPANCIES PRIOR TO CONSTRUCTION

FIRE HYDRANT INSTALLATION

FIRE HYDRANTS SHALL BE INSTALLED IN ACCORDANCE WITH THE LDACS STANDARD PLATE NO. 7

APPROVED
 BY: *[Signature]* 12/29/01
 CITY OF LAS VEGAS FIRE DEPARTMENT

APPROVED
 LAS VEGAS VALLEY WATER DISTRICT

CHANGE SET LIGHT COMMIT PER CITY REQUEST

JACK IN THE BOX, INC.
 9550 BALBOA AVENUE
 SAN DIEGO, CA 92123
 (605) 437-8043

CornerStone Engineering Inc.
 101 CONVENTION CENTER DR SUITE 880
 LAS VEGAS, NV 89109
 702-731-4711 FAX 702-731-4788

HORIZONTAL CONTROL/UTILITY/ STREET LIGHTING PLAN

JACK IN THE BOX
 LAKE MEAD BLVD + MARTIN LUTHER KING BLVD
 CITY OF LAS VEGAS

FILENAME: 290-SULDWG
 DATE: DEC. 20, 2001
 XREF FILES: 290-MSTDWG
 CHECKED BY: CC
 DRAWN BY: CC
 PROJECT NO: 290-00

SCALE: 1"=20'
 1"=2'

SEAL
 PROFESSIONAL ENGINEER-STATE OF NV
 DANIEL W. SULLIVAN
 CIVIL
 No. 10542

12/29/01

SHEET
 C4
 4 OF 5 SHEETS

DRAWING NO.
 107-V3651