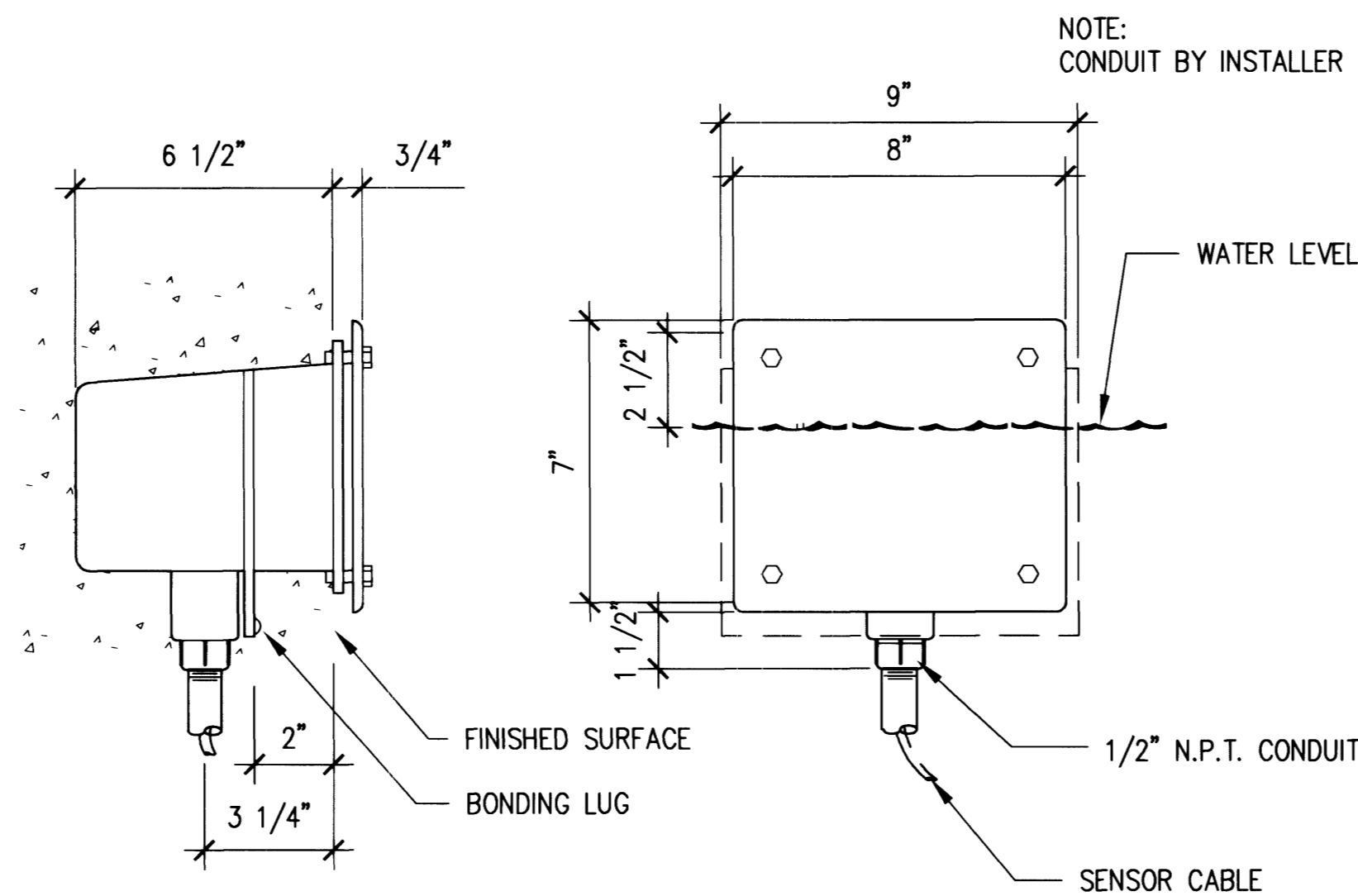
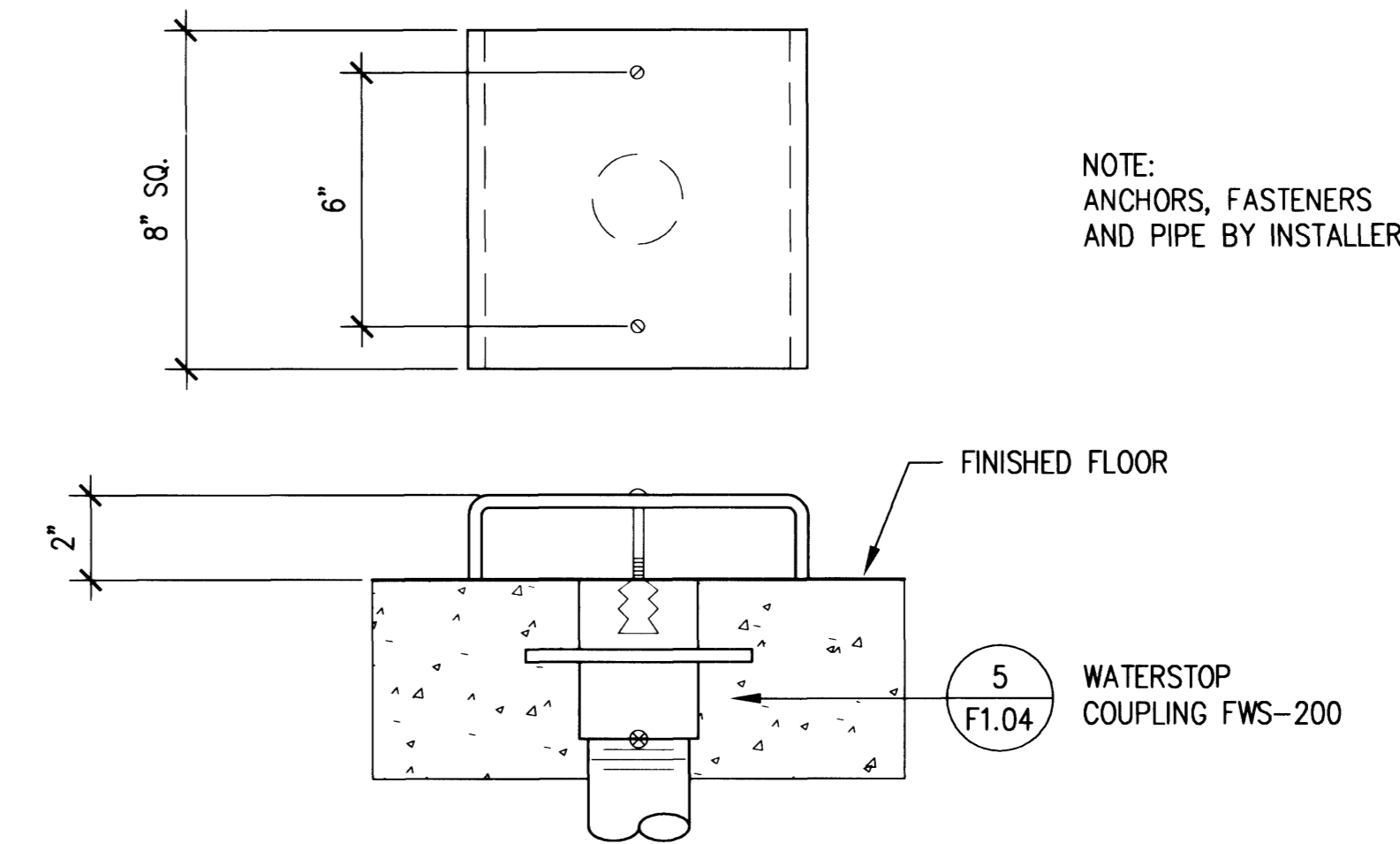


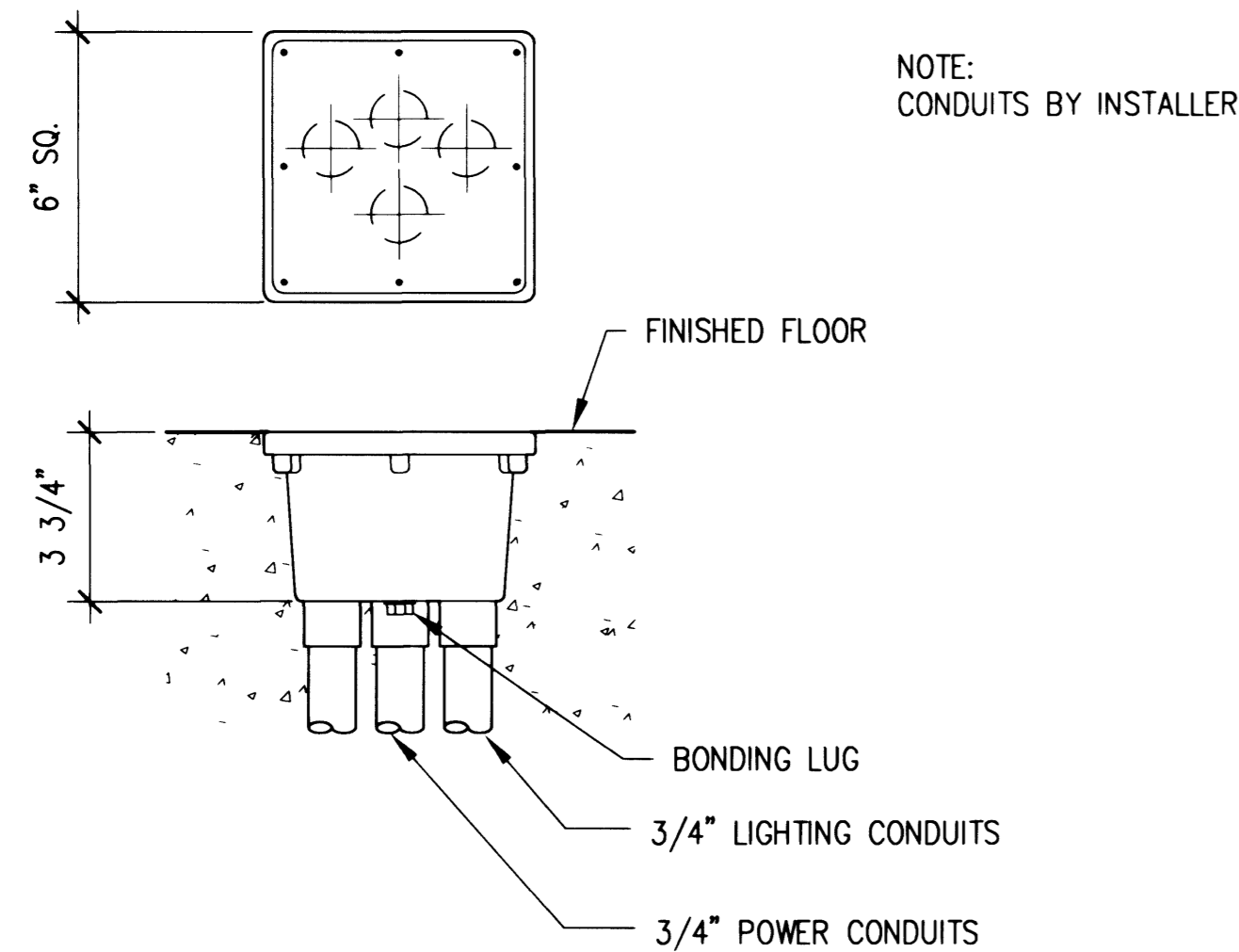
7 FLOOR DRAIN WITH PLUG- FFD-300
F1.03 3'-1'-0"



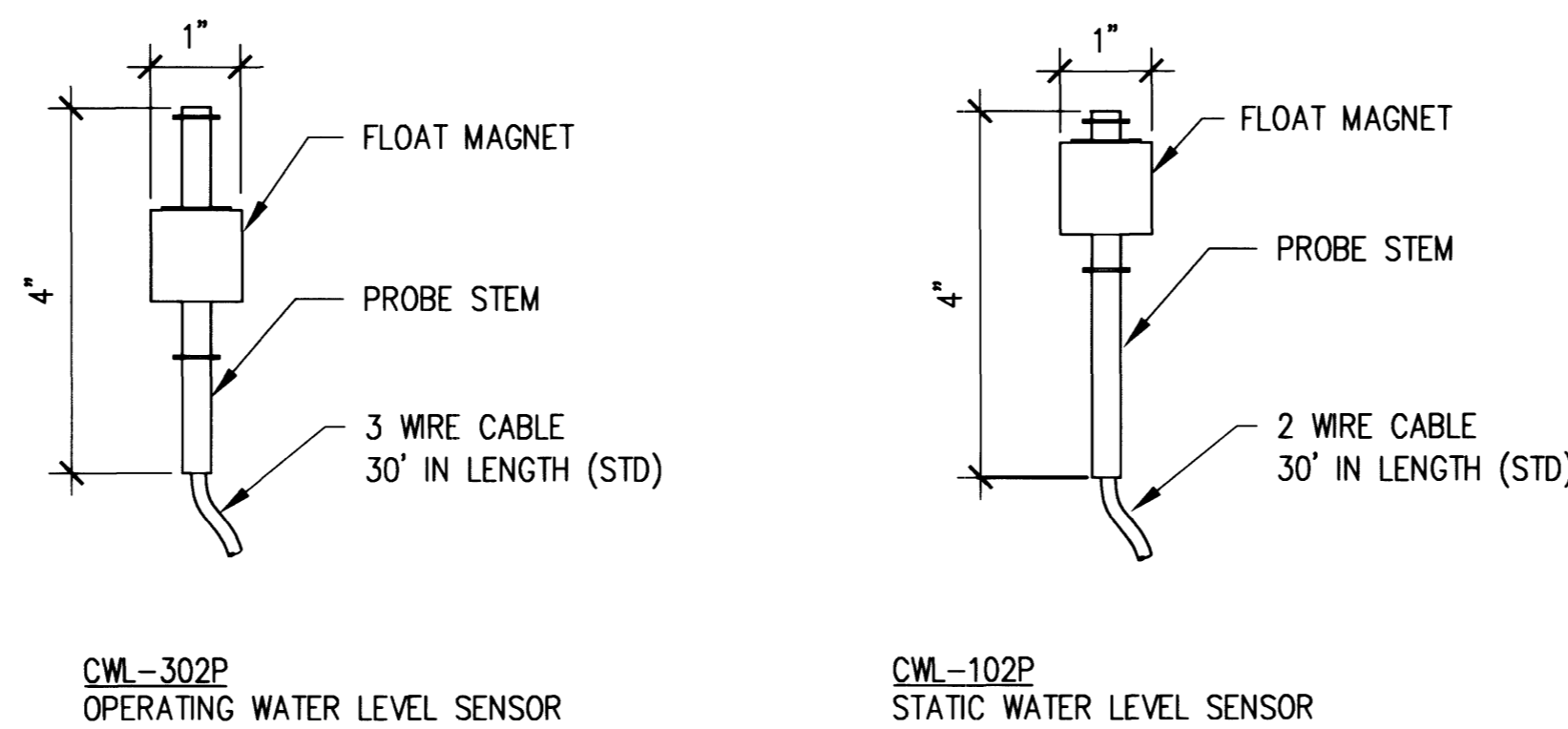
4 WALL WATER LEVEL SENSOR BOX-CWL-002WWS
F1.03 3'-1'-0"



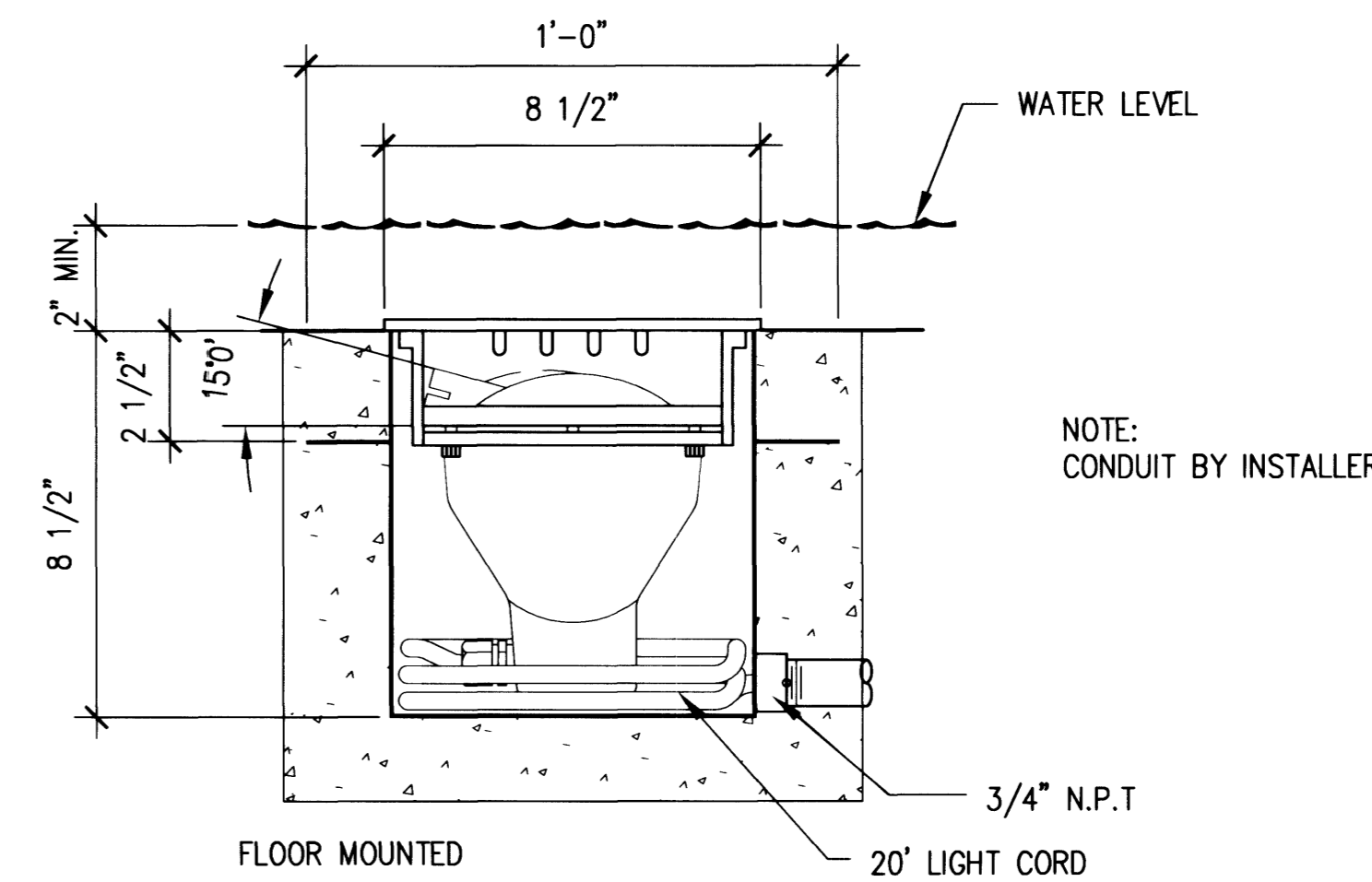
1 ANTI-VORTEX DIVERTER PLATE
F1.03 3'-1'-0"



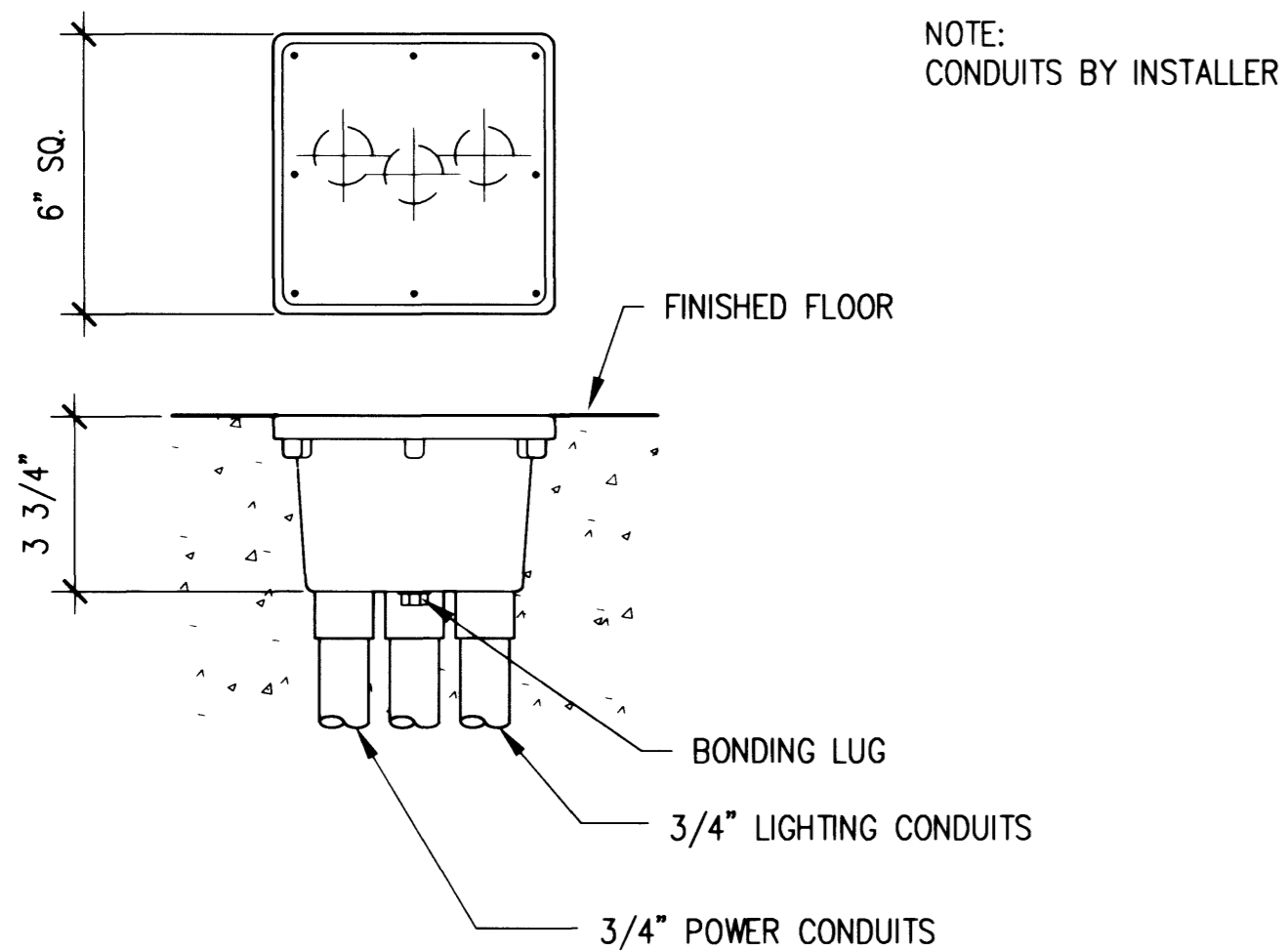
8 FLUSH JUNCTION BOX- NB23 - WATERPROOF
F1.03 3'-1'-0"



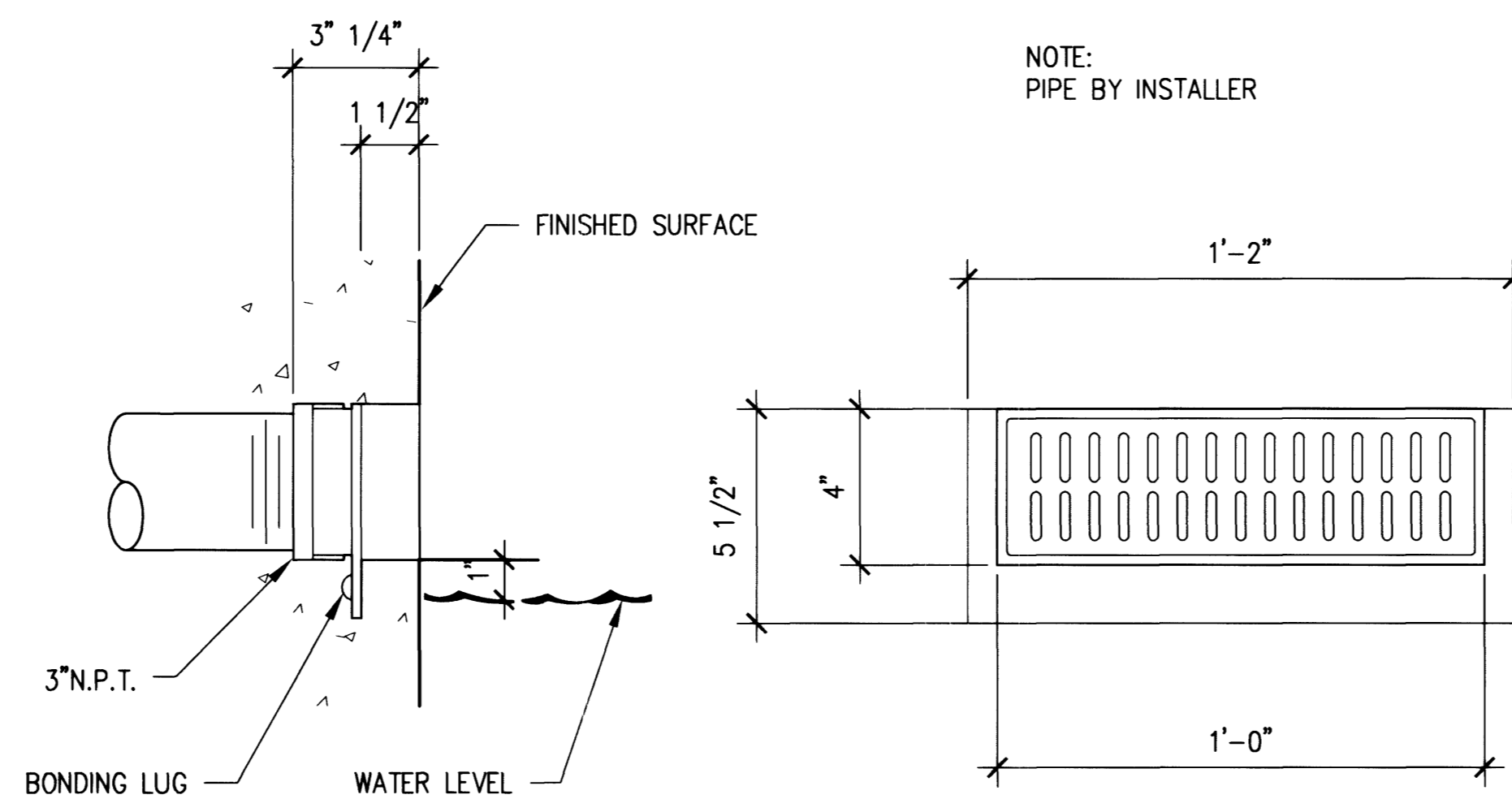
5 WATER SENSORS
F1.03 6'-1'-0"



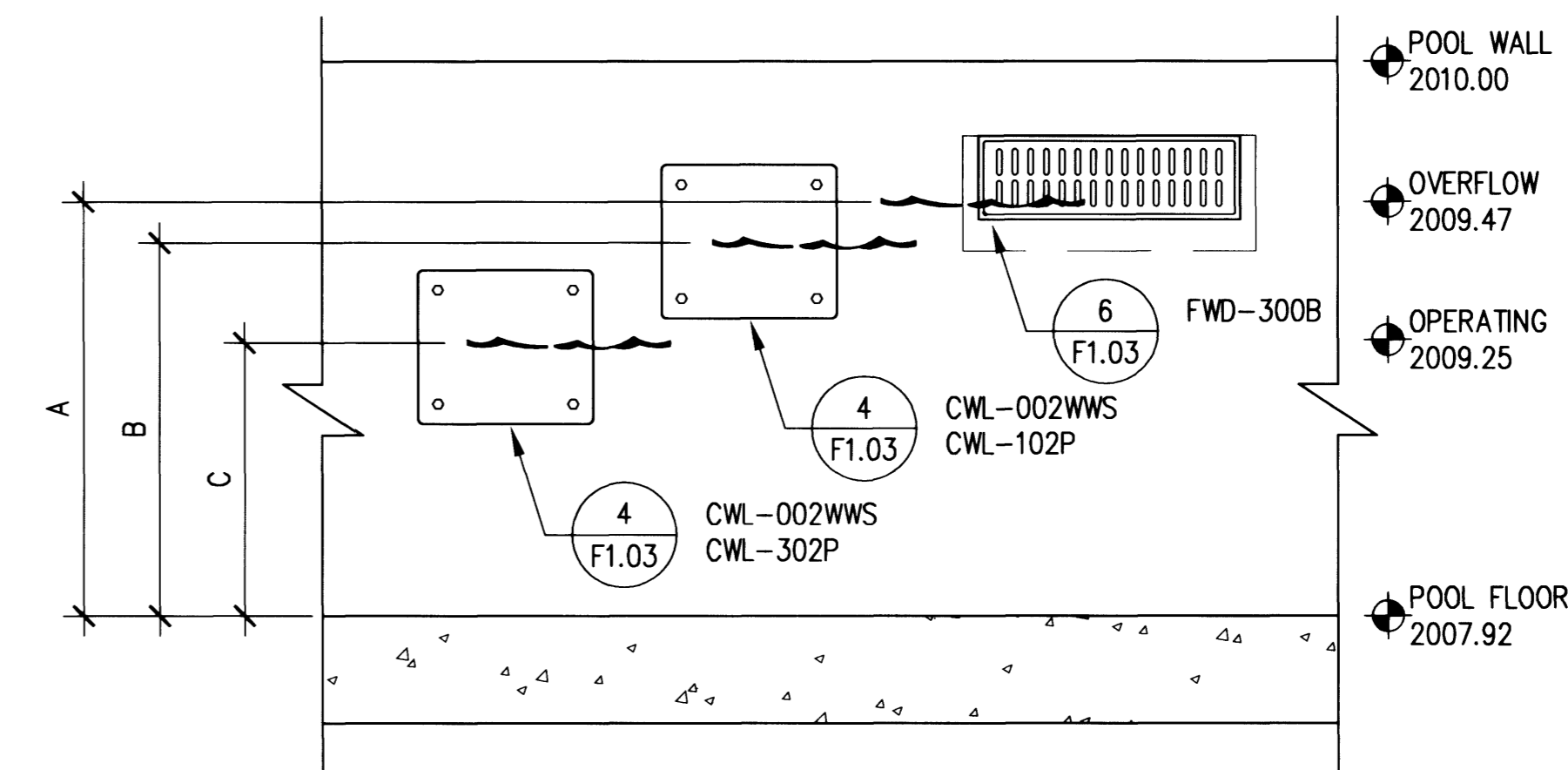
2 NICHE SUBMERSIBLE LIGHT
F1.03 3'-1'-0"



9 FLUSH JUNCTION BOX- NB12 - WATERPROOF
F1.03 3'-1'-0"



6 WALL MOUNTED OVERFLOW - FWD-300B
F1.03 3'-1'-0"



3 WATER LEVEL DETAIL
F1.03 NTS

LTR.	DIM.	DESCRIPTION
A		OVERFLOW LEVEL
B		STATIC LEVEL
C		OPERATING LEVEL

REVISIONS

NO.	DATE	DESCRIPTION	APP'D.

Laguna Beach
Houston
Haines
San Marcos
Sausalito
Sausalito

SWA

2200 Bridgeway Boulevard
P.O. Box 5904
Sausalito
CA 94966 5904
www.swajoint.com

LEWIS AVENUE CORRIDOR IMPROVEMENTS FPN STP-0170(075)

FOUNTAIN DETAILS

TITLE: SHEET:

PROFESSIONAL ENGINEER - STATE OF CALIFORNIA
BRIAN J. GIBBEL
MFC No. 44387
No. 11-1-c1

Sheet
F1.03
45 of 46
DRAWING NO.
107-V3502

BID NO. 02:1730.18