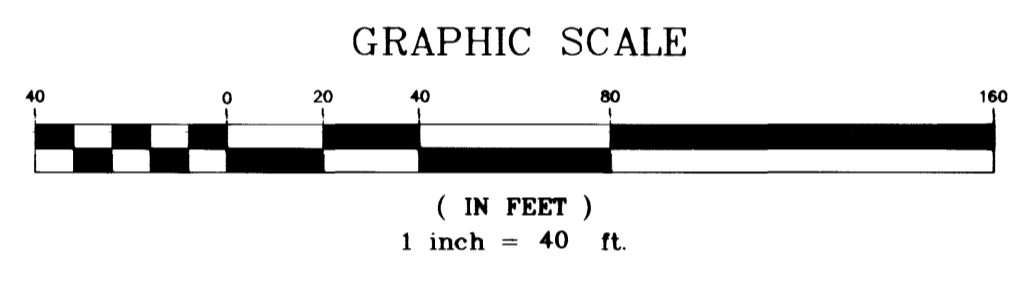


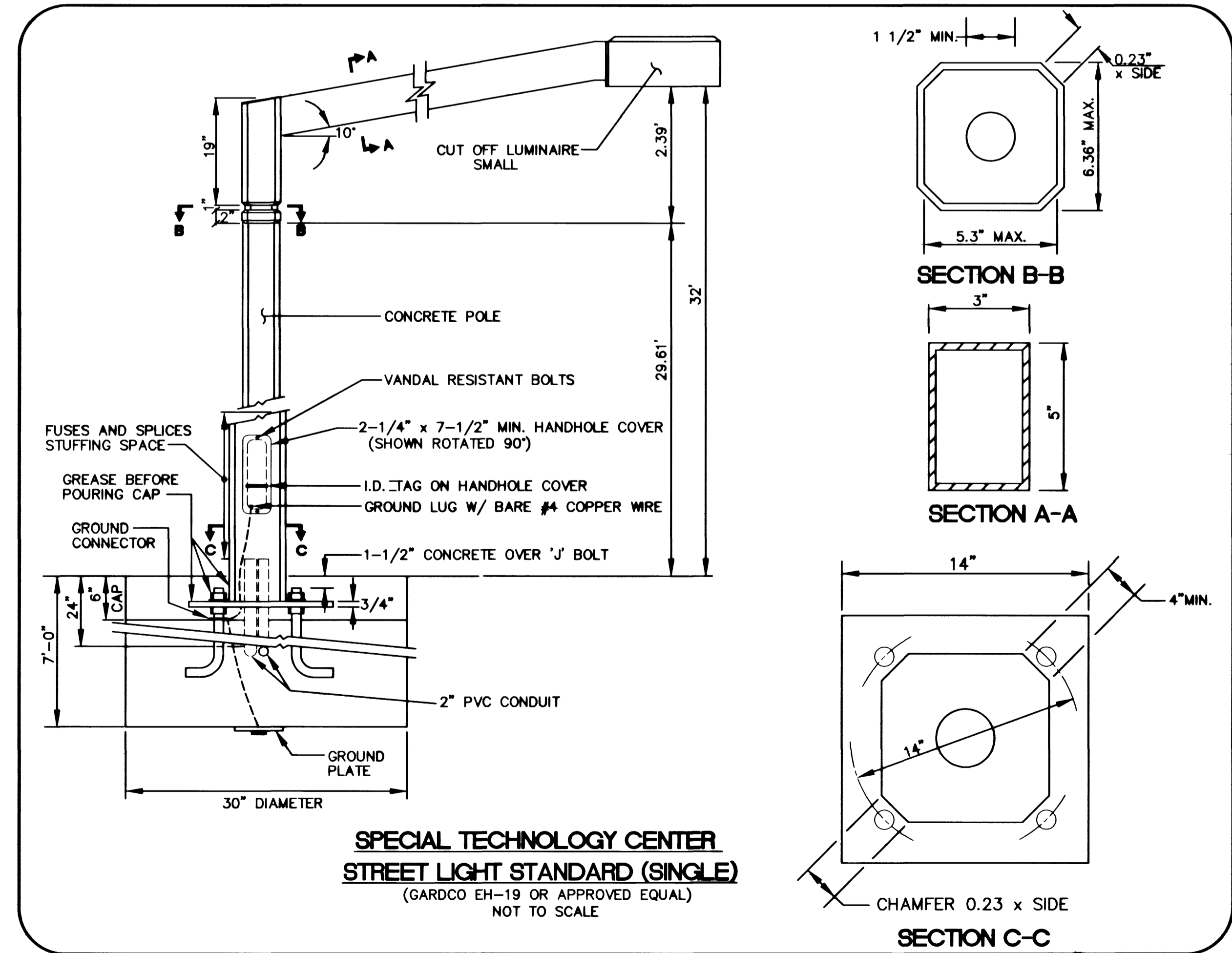
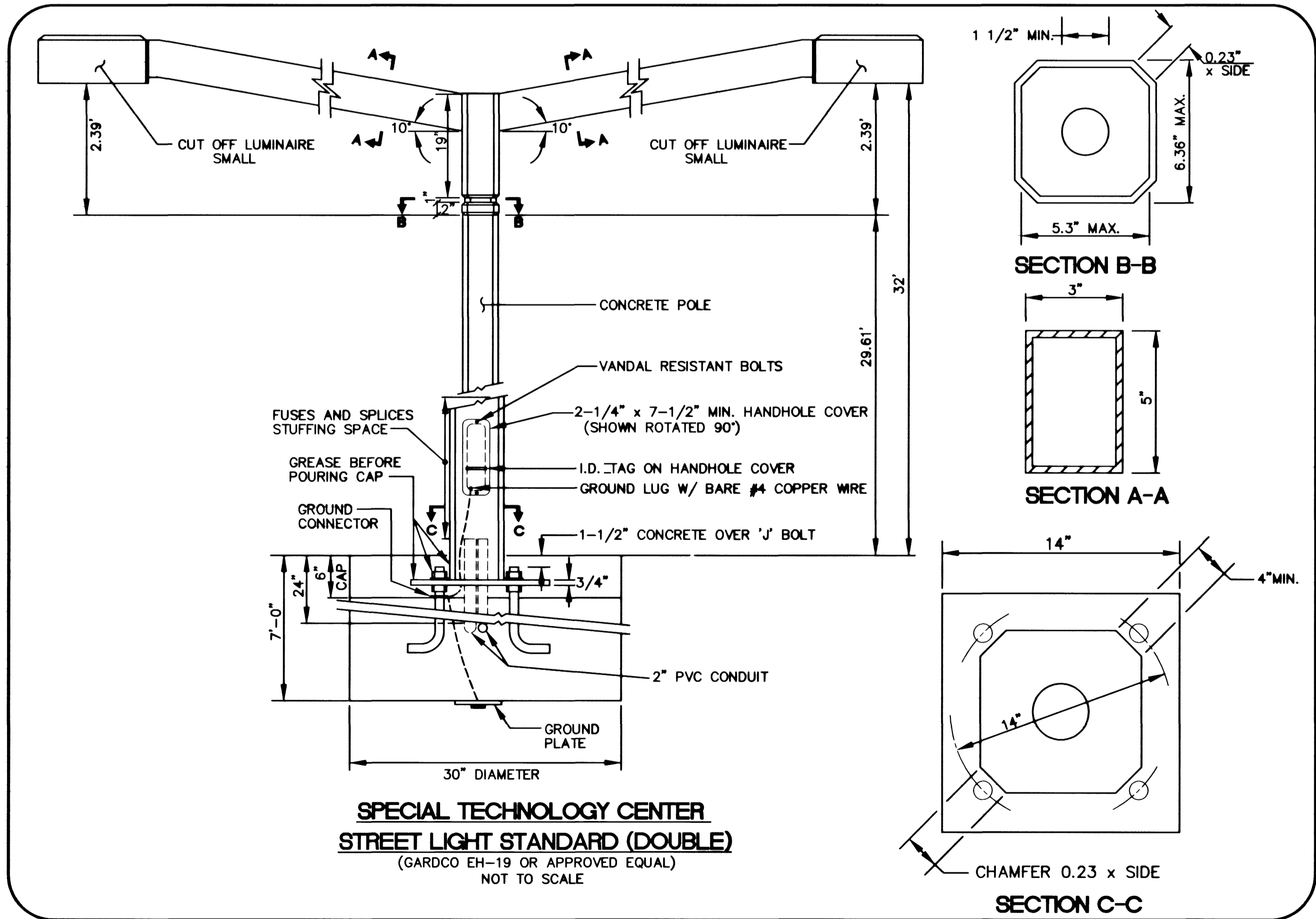
SEE SHEET 24



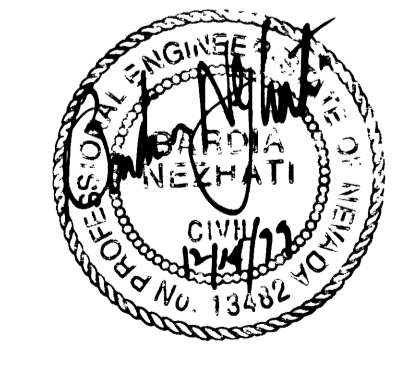
**NOTES:**  
 1. ALL STREET SIGNS TO BE INSTALLED PER CCA STD. DWG. NO. 249  
 2. INSTALL MARKINGS ON ALL MEDIAN NOSES PER CCA STD. DWG. NO. 248

LEGEND	
	UTILITY POLE
	STREET LIGHT
	EXISTING STREET LIGHT
	OVERHEAD UTILITY LINES
	EXISTING STREET LIGHT/TRAFFIC SIGNAL
	2" CONDUIT
	STREET NAME SIGN
	MISCELLANEOUS SIGN
	36" STOP SIGN
	SERVICE POINT
	PULL BOX
	EXISTING STREET LIGHT BOX

QUANTITIES	
STREETLIGHTS (SPECIAL-DOUBLE)	10 EA
STREETLIGHTS (SPECIAL-SINGLE)	21 EA
STREETLIGHTS (RELOCATE)	4 EA
STREETLIGHTS (REMOVAL)	1 EA
3-1/2" PULL BOX	3 EA
SERVICE POINT (200 AMP)	2 EA
SERVICE POINT (125 AMP)	2 EA
2" CONDUIT	3500 LF
R1-2 (YIELD)	7 EA
R2-1 (SPEED)	2 EA
R1-1 (STOP)	2 EA
D3 (9" STREETNAMES)	6 EA



**Call before you Dig**  
 AVOID CUTTING UNDERGROUND UTILITY LINES. IT'S COSTLY.  
 1-800-227-2600  
 UNDERGROUND SERVICE (USA)  
**NOTICE**  
 UTILITY LOCATIONS SHOWN HEREON ARE APPROXIMATE ONLY. IT SHALL BE THE CONTRACTOR'S RESPONSIBILITY TO DETERMINE THE EXACT VERTICAL AND HORIZONTAL LOCATION OF ALL EXISTING UNDERGROUND UTILITIES PRIOR TO COMMENCING CONSTRUCTION. NO REPRESENTATION IS MADE THAT ALL EXISTING UTILITIES ARE SHOWN HEREON. THE ENGINEER ASSUMES NO RESPONSIBILITY FOR UTILITIES NOT SHOWN OR UTILITIES NOT SHOWN IN THEIR PROPER LOCATION.  
 CALL BEFORE YOU DIG: 1-800-227-2600



NO.	REVISIONS	DRAWN	APPROVED	APPROVED	DATE	NO.	REVISIONS	DRAWN	APPROVED	APPROVED	DATE
1						3					
2						4					
3						5					
4						6					
5						7					
6						8					
7						9					
8						10					
9						11					
10						12					

**Stanley Consultants Inc.**  
 1771 EAST FLAMINGO ROAD, SUITE 104-B  
 LAS VEGAS, NEVADA 89119 (702) 369-9396

A Stanley Group Company  
 Engineering, Environmental  
 and Construction Services  
 Worldwide

**CITY OF LAS VEGAS, NEVADA**  
 DEPARTMENT OF PUBLIC WORKS  
 400 EAST STEWART AVE.  
 LAS VEGAS, NEVADA 89101 (702) 229-6535

**LAS VEGAS TECHNOLOGY CENTER PHASE 2**  
**STREETLIGHTING, STRIPING**  
**AND SIGNAGE PLAN**

SCALE: HORIZ: 1"=40'  
 VERT: 1"=10'  
 SCI No. 14164  
 CLV No. 107-V3118  
 23 OF 3142