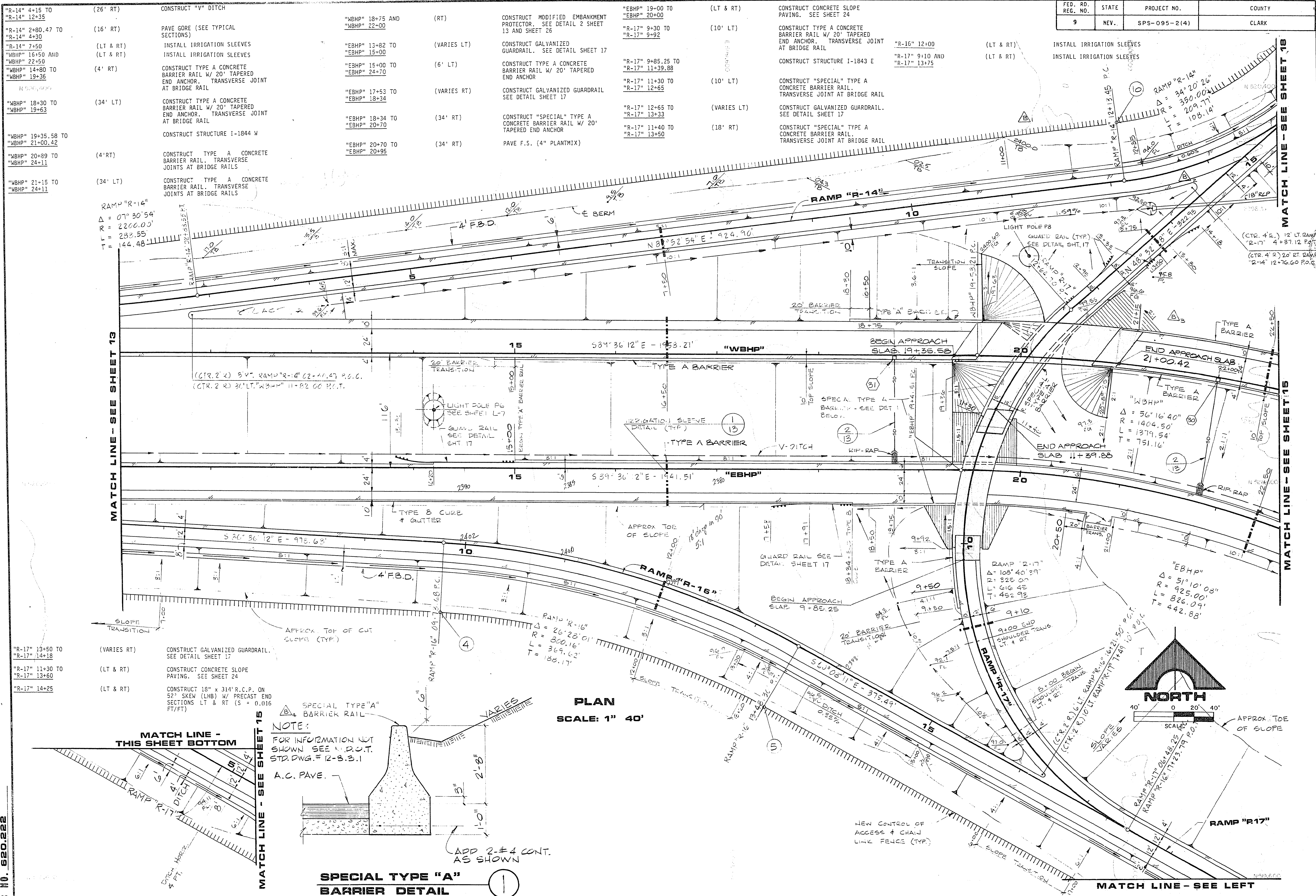


FED. RD. REG. NO.	STATE	PROJECT NO.	COUNTY
9	NEV.	SPS-095-2(4)	CLARK

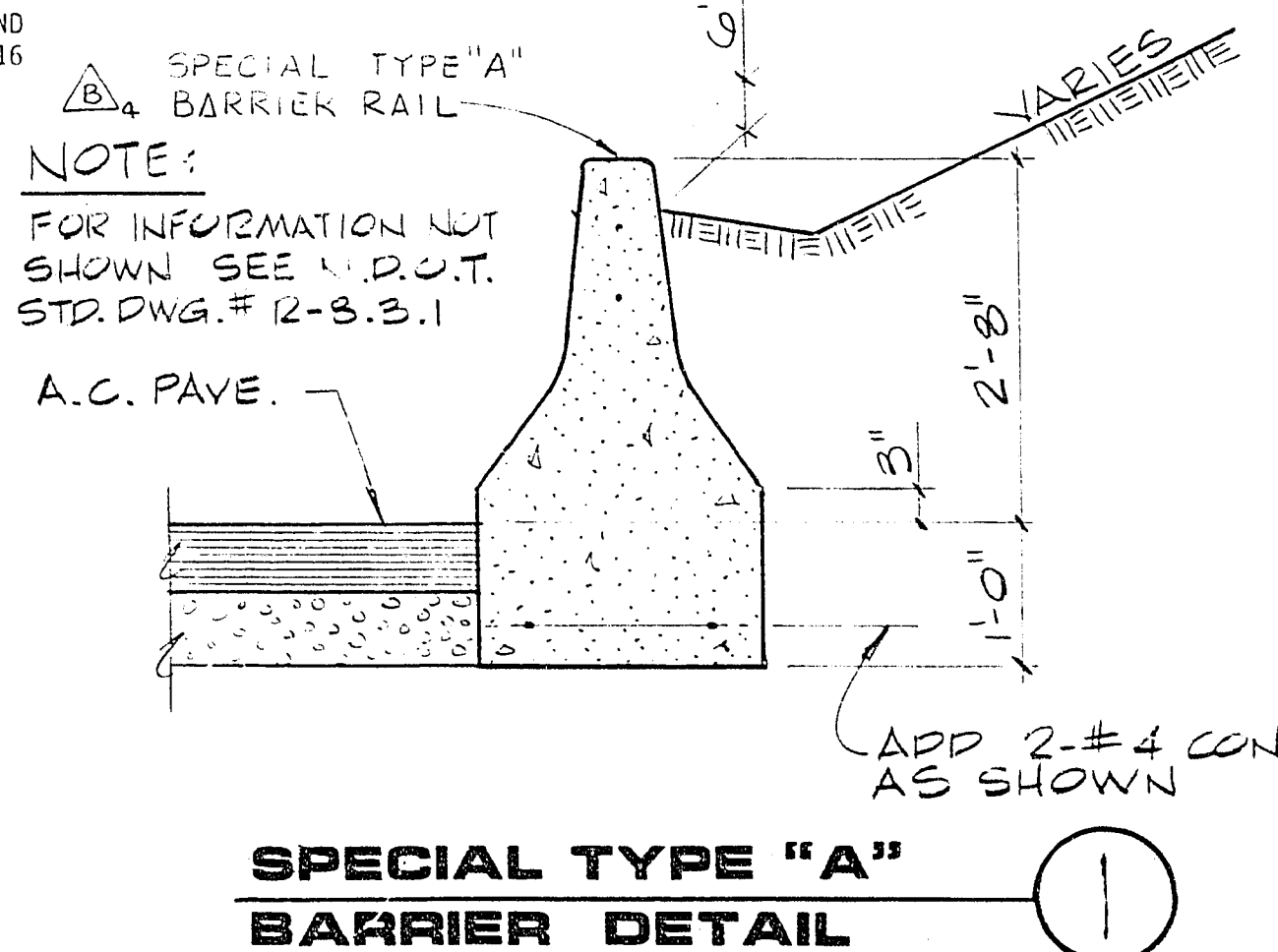


"R-14" 4+15 TO "R-14" 12+35	(26' RT)	CONSTRUCT "V" DITCH
"R-14" 2+80.47 TO "R-14" 4+30	(16' RT)	PAVE GORE (SEE TYPICAL SECTIONS)
"R-14" 7+50	(LT & RT)	INSTALL IRRIGATION SLEEVES
"WBHP" 16+50 AND "WBHP" 22+50	(LT & RT)	INSTALL IRRIGATION SLEEVES
"WBHP" 14+80 TO "WBHP" 19+36	(4' RT)	CONSTRUCT TYPE A CONCRETE BARRIER RAIL W/ 20' TAPERED END ANCHOR. TRANSVERSE JOINT AT BRIDGE RAIL
"WBHP" 18+30 TO "WBHP" 19+63	(34' LT)	CONSTRUCT TYPE A CONCRETE BARRIER RAIL W/ 20' TAPERED END ANCHOR. TRANSVERSE JOINT AT BRIDGE RAIL
"WBHP" 19+35.58 TO "WBHP" 21+00.42		CONSTRUCT STRUCTURE I-1844 W
"WBHP" 20+89 TO "WBHP" 24+11	(4' RT)	CONSTRUCT TYPE A CONCRETE BARRIER RAIL. TRANSVERSE JOINTS AT BRIDGE RAILS
"WBHP" 21+15 TO "WBHP" 24+11	(34' LT)	CONSTRUCT TYPE A CONCRETE BARRIER RAIL. TRANSVERSE JOINTS AT BRIDGE RAILS

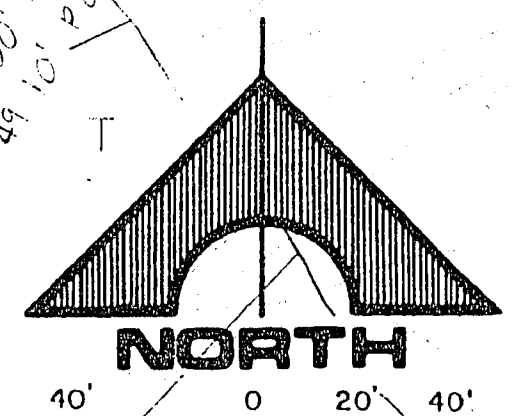
"WBHP" 18+75 AND "WBHP" 22+00	(RT)	CONSTRUCT MODIFIED EMBANKMENT PROTECTOR. SEE DETAIL 2 SHEET 13 AND SHEET 26
"EBHP" 13+82 TO "EBHP" 15+00	(VARIES LT)	CONSTRUCT GALVANIZED GUARDRAIL. SEE DETAIL SHEET 17
"EBHP" 15+00 TO "EBHP" 24+70	(6' LT)	CONSTRUCT TYPE A CONCRETE BARRIER RAIL W/ 20' TAPERED END ANCHOR
"EBHP" 17+53 TO "EBHP" 18+34	(VARIES RT)	CONSTRUCT GALVANIZED GUARDRAIL SEE DETAIL SHEET 17
"EBHP" 18+34 TO "EBHP" 20+70	(34' RT)	CONSTRUCT "SPECIAL" TYPE A CONCRETE BARRIER RAIL W/ 20' TAPERED END ANCHOR
"EBHP" 20+70 TO "EBHP" 20+95	(34' RT)	PAVE F.S. (4" PLANTMIX)

"EBHP" 19+00 TO "EBHP" 20+00	(LT & RT)	CONSTRUCT CONCRETE SLOPE PAVING. SEE SHEET 24
"R-17" 9+30 TO "R-17" 9+92	(10' LT)	CONSTRUCT TYPE A CONCRETE BARRIER RAIL W/ 20' TAPERED END ANCHOR. TRANSVERSE JOINT AT BRIDGE RAIL
"R-17" 9+85.25 TO "R-17" 11+39.88		CONSTRUCT STRUCTURE I-1843 E
"R-17" 11+30 TO "R-17" 12+65	(10' LT)	CONSTRUCT "SPECIAL" TYPE A CONCRETE BARRIER RAIL. TRANSVERSE JOINT AT BRIDGE RAIL
"R-17" 12+65 TO "R-17" 13+33	(VARIES LT)	CONSTRUCT GALVANIZED GUARDRAIL. SEE DETAIL SHEET 17
"R-17" 11+40 TO "R-17" 13+50	(18' RT)	CONSTRUCT "SPECIAL" TYPE A CONCRETE BARRIER RAIL. TRANSVERSE JOINT AT BRIDGE RAIL

"R-17" 13+50 TO "R-17" 14+18	(VARIES RT)	CONSTRUCT GALVANIZED GUARDRAIL. SEE DETAIL SHEET 17
"R-17" 11+30 TO "R-17" 13+60	(LT & RT)	CONSTRUCT CONCRETE SLOPE PAVING. SEE SHEET 24
"R-17" 14+25	(LT & RT)	CONSTRUCT 18" x 31" R.C.P. ON 52° SKEW (LHB) W/ PRECAST END SECTIONS LT & RT (S = 0.016 FT/FT)



**PLAN**  
 SCALE: 1" = 40'



JOB NO. 620.222

HOWARD HUGHES PROPERTIES  
 HUSITE PARKWAY INTERCHANGE  
 GRADING PLAN

SHEET  
**14**  
 OF 13 SHEETS

G.C. WALLACE, INC.  
 Engineering/Architecture  
 1555 SOUTH RAINBOW BLVD. LAS VEGAS, NEVADA 89102

26-3-66 107-V1882