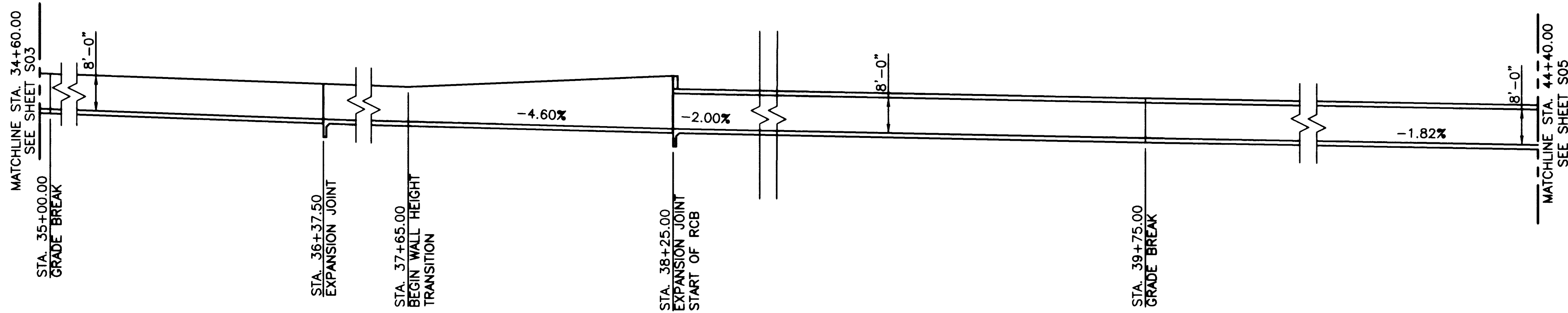


PLAN

SCALE: 1/16" = 1'-0"

1
S4



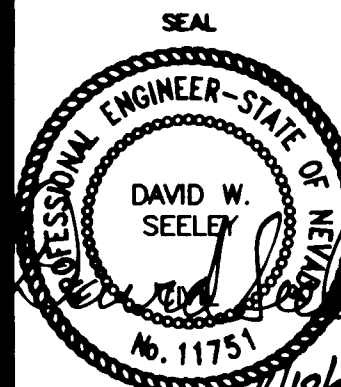
PROFILE

SCALE: 1/16" = 1'-0"

2
S4



R₂H • GB&L ENGINEERING
CONSULTING STRUCTURAL ENGINEERS
840 ORIER DRIVE, SUITE 320
LAS VEGAS, NEVADA 89119
PHONE (702) 280-7000
FAX (702) 280-7070



PROJECT NO: 99192
SCALE: 1/16" = 1'-0"
SHEET S4 OF 22 SHEETS
DRAWING NO. S4 731-74

SHEET
DRAWN BY: ALC 4/12/01
DESIGNED BY: DWS 4/12/01
CHECKED BY: DWS 4/12/01
PROJECT NO: 99192
SCALE: 1/16" = 1'-0"
HORIZ. VERT.

STRUCTURAL PLAN AND PROFILE
GILMORE CHANNEL FLOOD CONTROL IMPROVEMENTS

PERMA BILT HOMES
7500 ROCKWIRE DRIVE, SUITE 104
LAS VEGAS, NEVADA 89119
(702) 896-9100

2727 SOUTH RAINBOW BOULEVARD LAS VEGAS, NEVADA 89102-5148
PH. (702) 873-7550 FAX (702) 362-2597

vtm nevada CONSULTING ENGINEERS • PLANNERS • LAND SURVEYORS

REV	DATE	BY