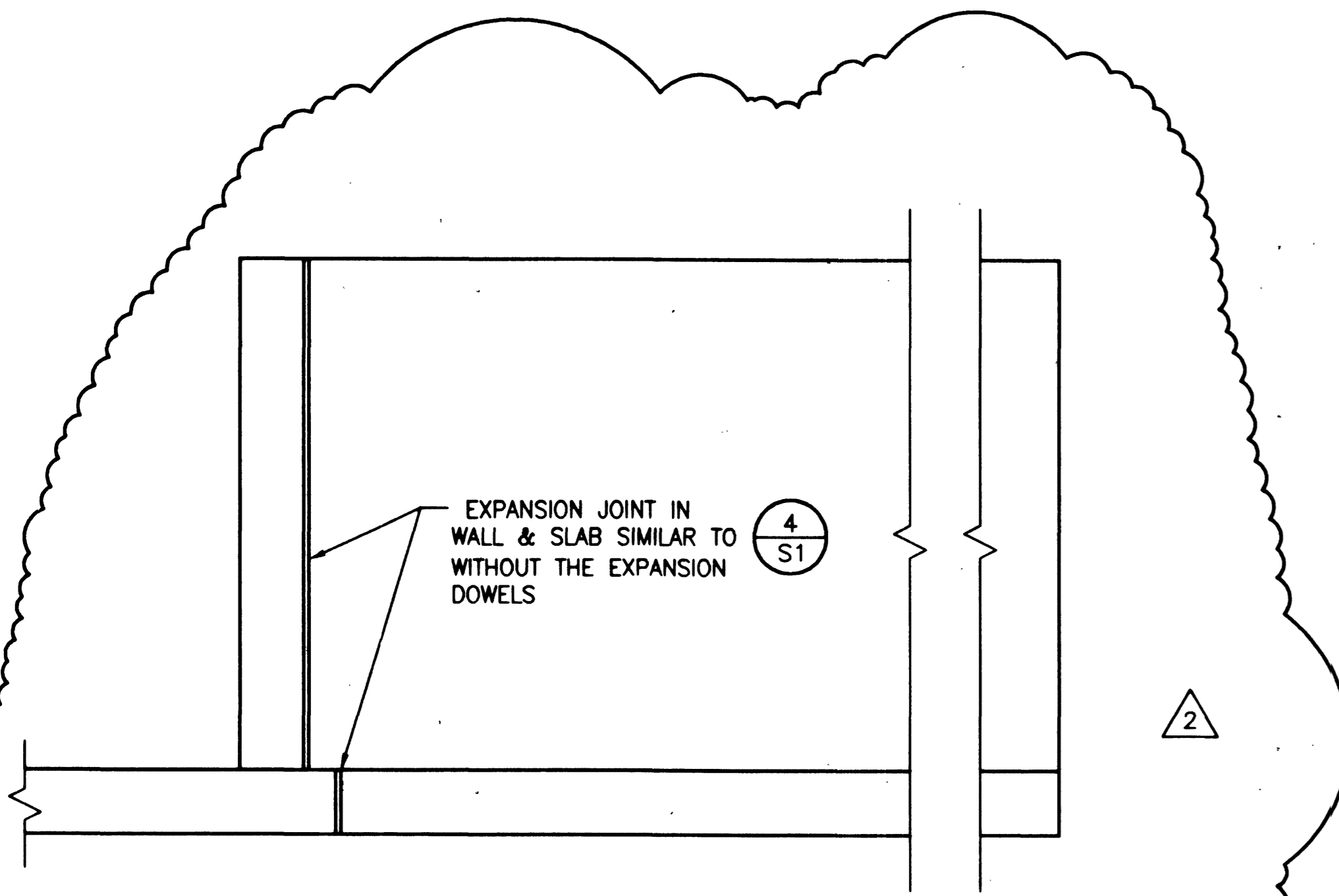


**WINGWALL**

SCALE: N.T.S.

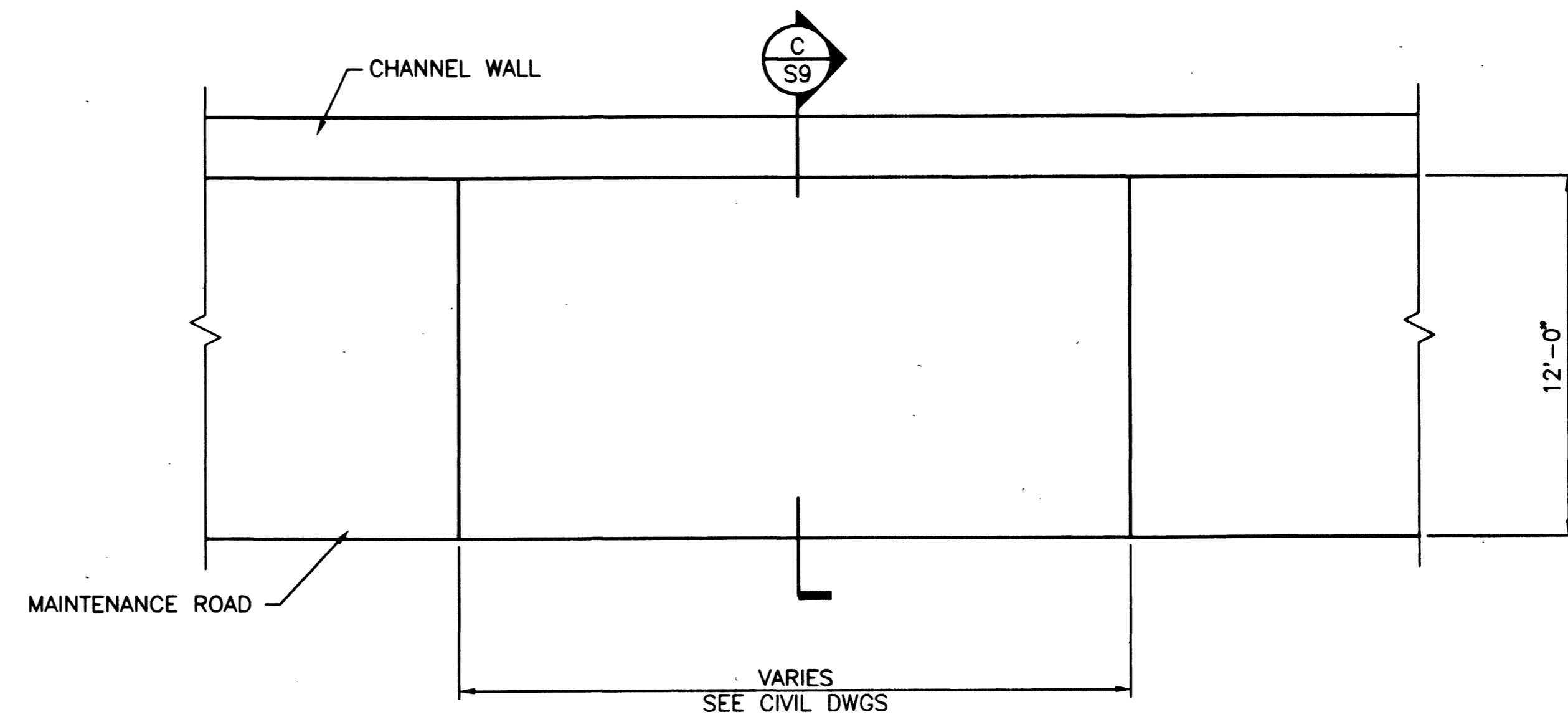
A  
S9



**SECTION**

SCALE: N.T.S.

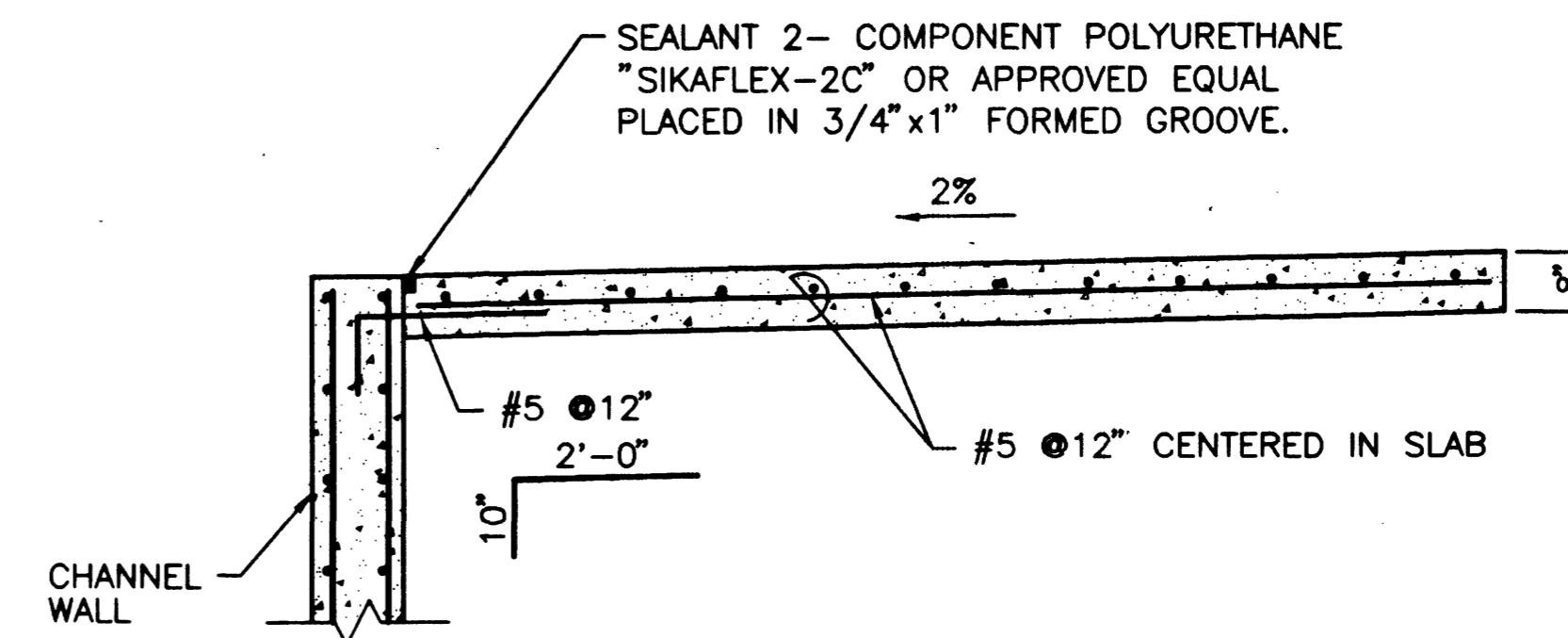
B  
S9



**DRAINAGE SLAB PLAN**

SCALE: N.T.S.

1  
S9

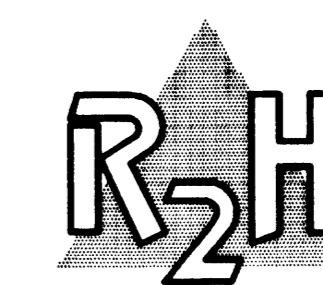


**SECTION**

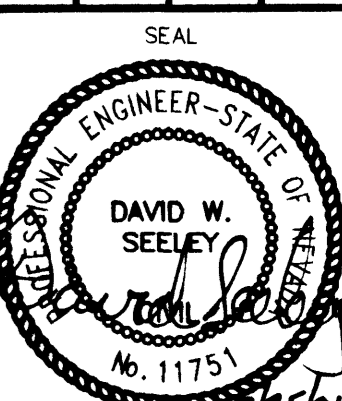
SCALE: N.T.S.

C  
S9

42441



CONSULTING STRUCTURAL ENGINEERS  
840 ORIER DRIVE, SUITE 320  
LAS VEGAS, NEVADA 89119  
PHONE (702) 280-7000  
FAX (702) 280-7070



SHEET  
S9  
21 OF 22 SHEETS  
DRAWING NO.  
7319974

PERMA BILT HOMES  
7189 POLLOCK DRIVE, SUITE 104  
LAS VEGAS, NEVADA 89119  
(702) 998-9100

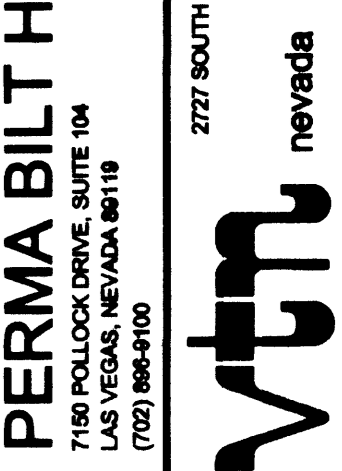
CHANNEL SECTIONS AND DETAILS  
GILMORE CHANNEL FLOOD CONTROL IMPROVEMENTS

SHEET  
00001  
DESIGNED BY:  
DWS  
CHECKED BY:  
DWS  
PROJECT NO.:  
98192

SCALE:  
HORIZ.  
VERT.

DATE  
2/7/24/01  
BY  
DWS  
REVISION

2727 SOUTH RAINBOW BOULEVARD LAS VEGAS, NEVADA 89103-5148  
PH. (702) 878-7000 FAX (702) 382-2387  
CONSULTING ENGINEERS  
neVada  
LAP SURVEYORS



RECORD DRAWINGS  
INFORMATION SUPPLIED BY CONTRACTOR - MAY 2002