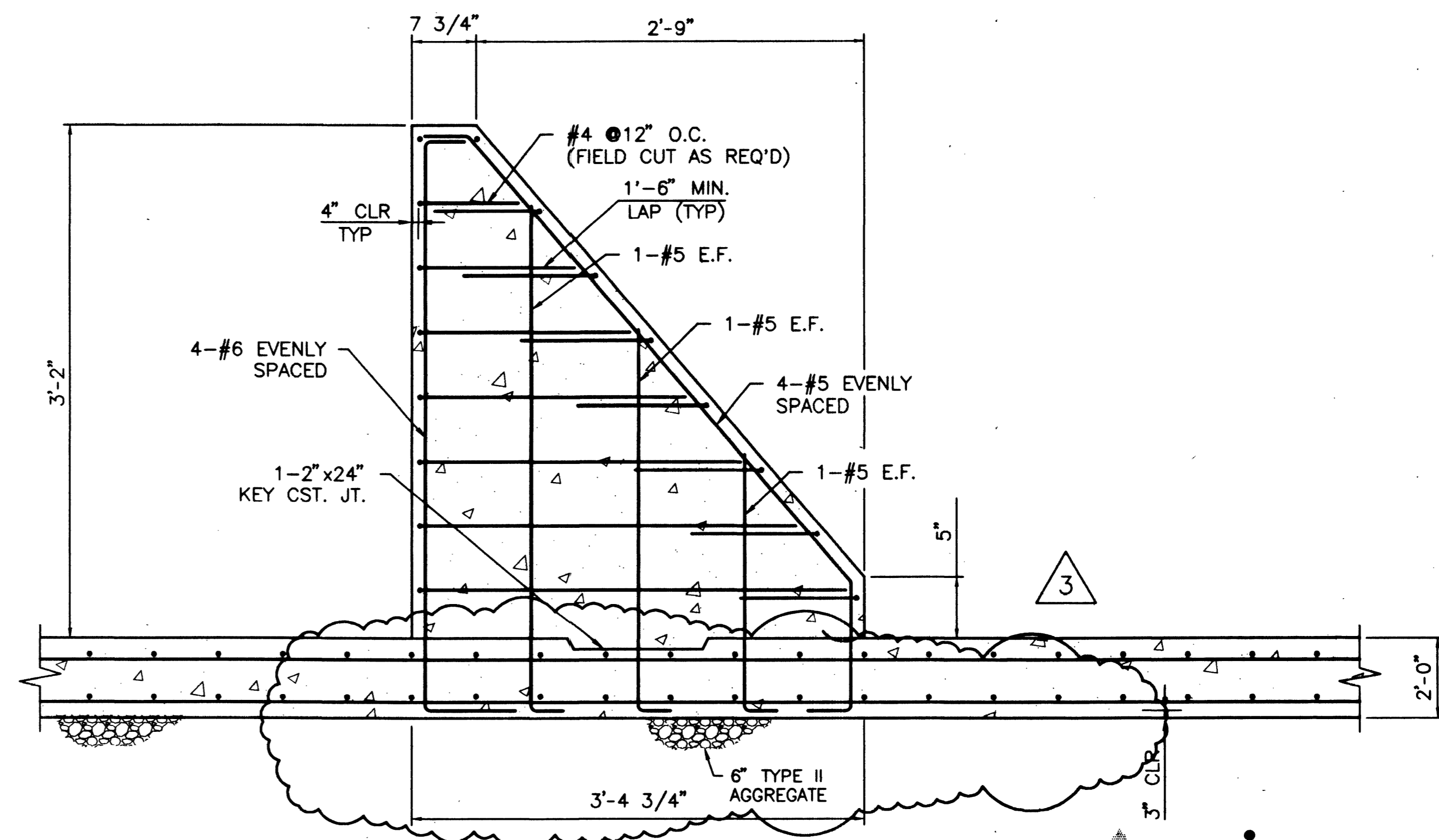


END SILL SECTION

SCALE: N.T.S.

A
S8

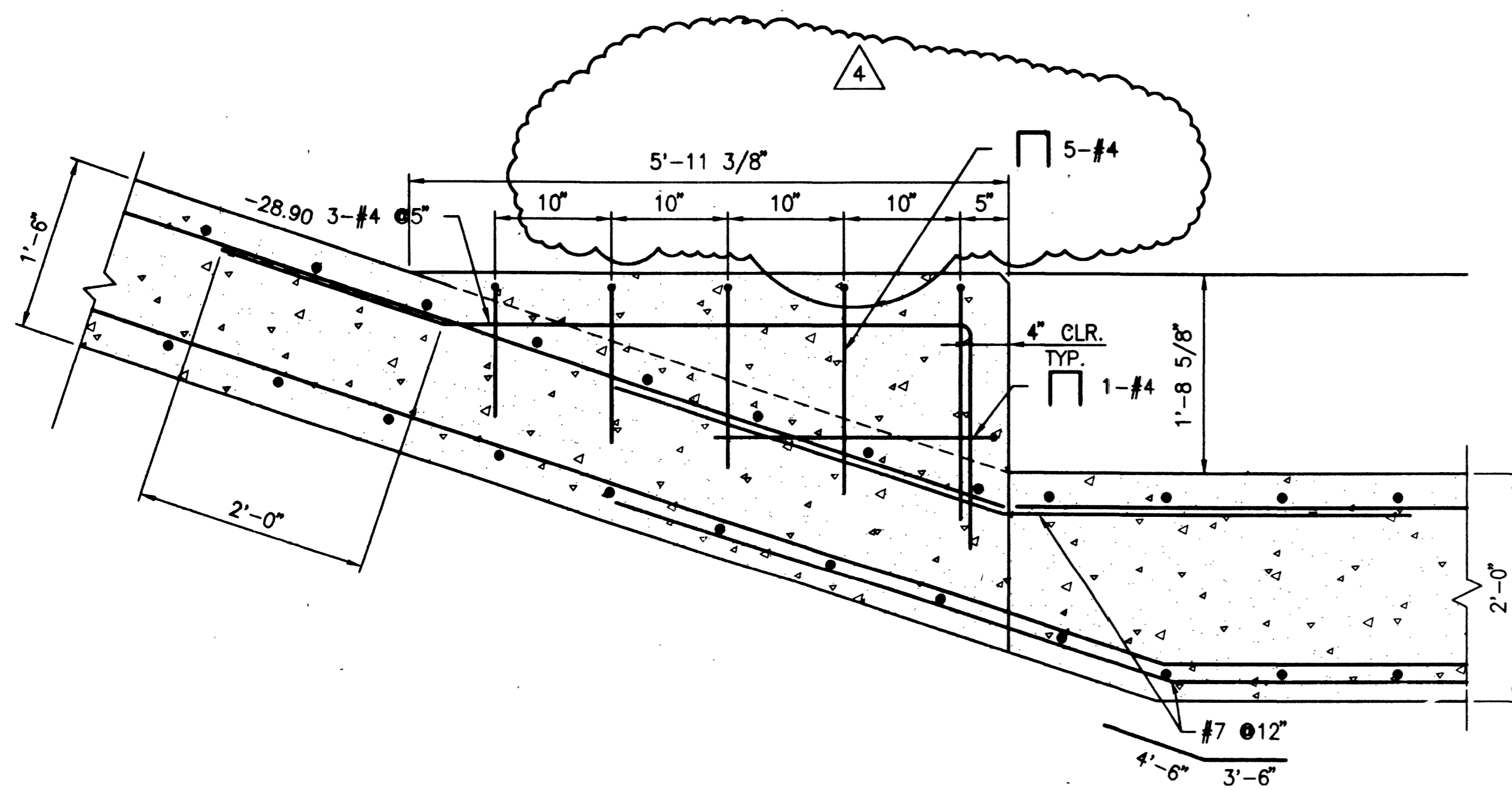
SEE
A
S10
FOR SLAB REINF.



BAFFLE BLOCK SECTION

SCALE: N.T.S.

C
S8



CHUTE BLOCK SECTION

SCALE: N.T.S.

B
S8

42440

1	8/28/01	DWS	REVISED CHUTE BLOCK DIMENSIONS
2	8/22/01	DWS	REMOVED EXTRA REINFORCEMENT
3	8/22/01	DWS	

PERMA BILT HOMES
7180 POLLOCK DRIVE, SUITE 104
LAS VEGAS, NEVADA 89119
(702) 386-1100

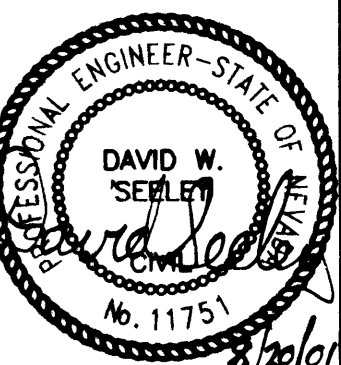


2727 SOUTH RAINBOW BOULEVARD LAS VEGAS, NEVADA 89102-6148
PH. (702) 875-7500 FAX (702) 382-2287
CONSULTING ENGINEERS • LANDERS • SURVEYORS

**CHANNEL SECTIONS
AND DETAILS**

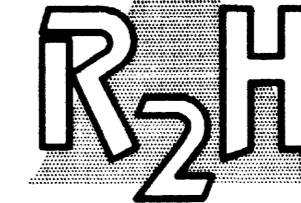
**GILMORE CHANNEL
FLOOD CONTROL IMPROVEMENTS**

ALA	8/28/01	
DWS	8/28/01	
DWS	8/28/01	
8/18/02		



CONSULTING STRUCTURAL ENGINEERS

840 GRIER DRIVE, SUITE 320
LAS VEGAS, NEVADA 89119
PHONE (702) 280-7000
FAX (702) 280-7070



S8
731-74
20 05 22
S8