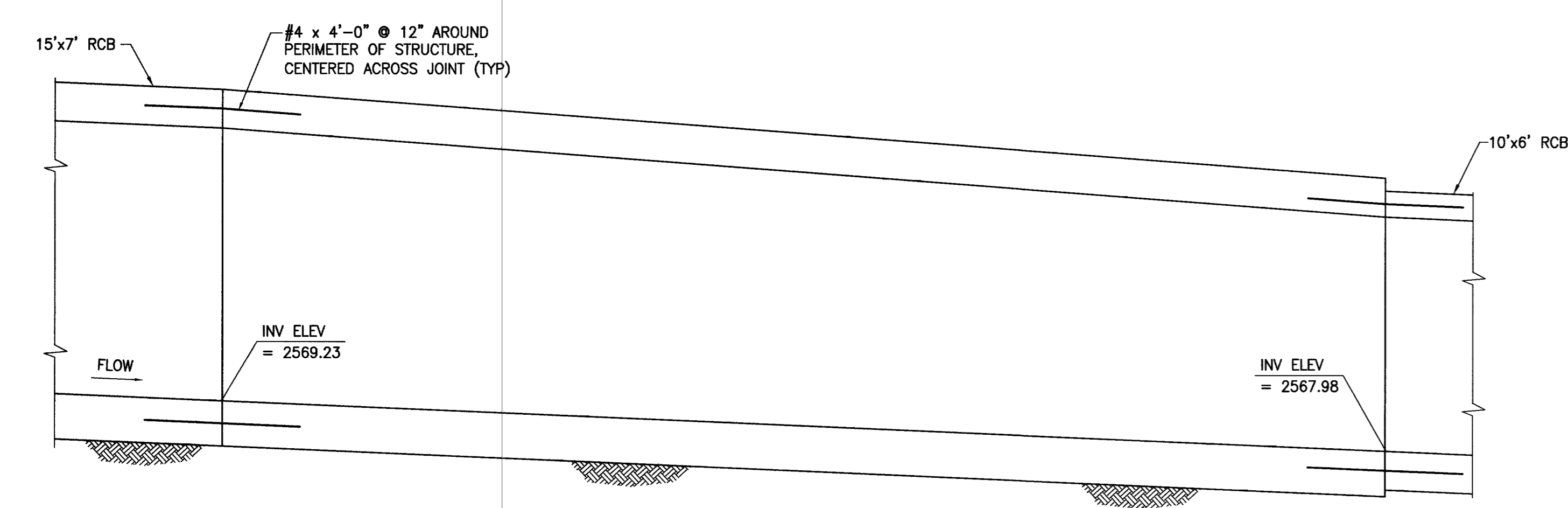
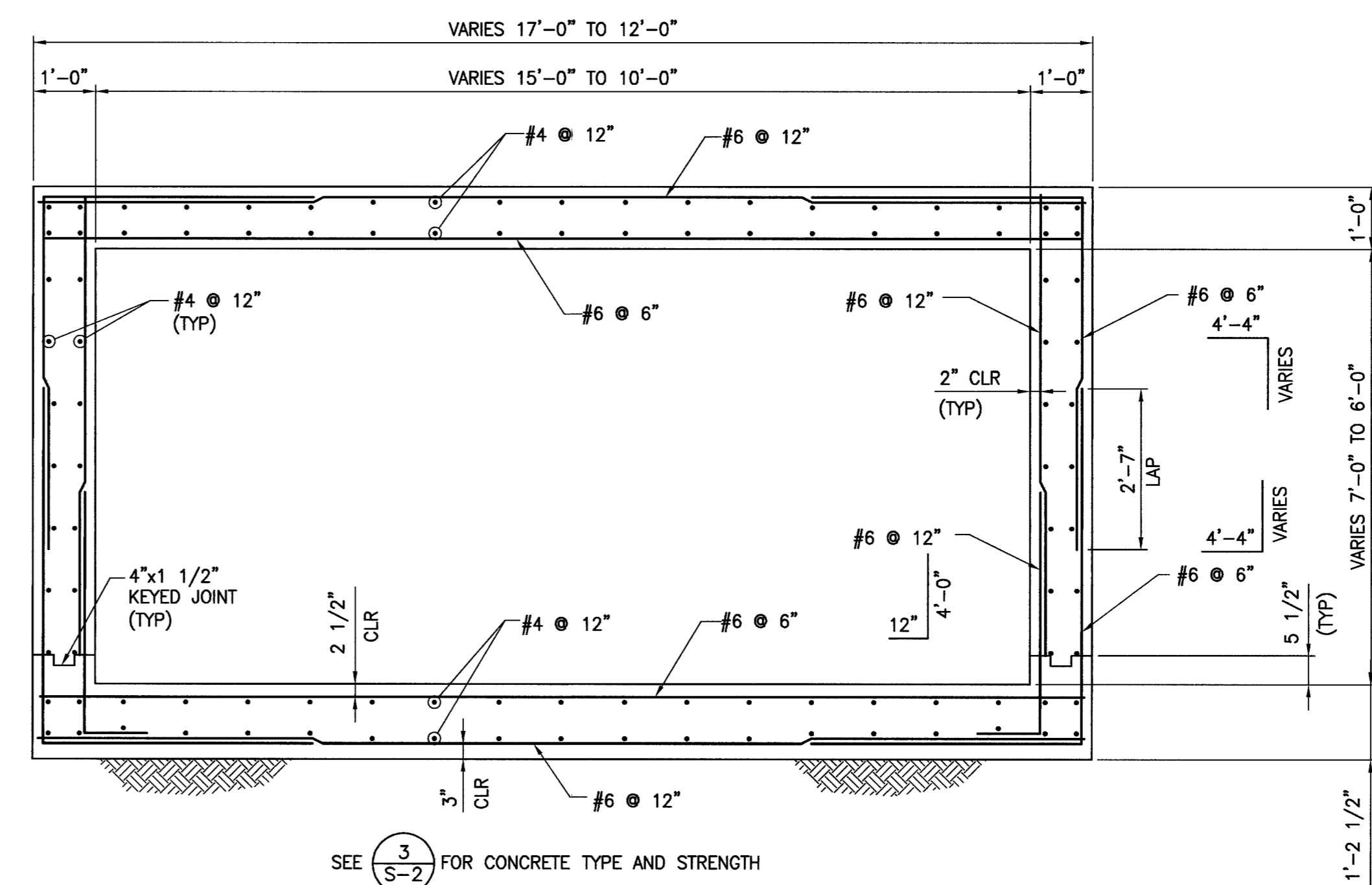


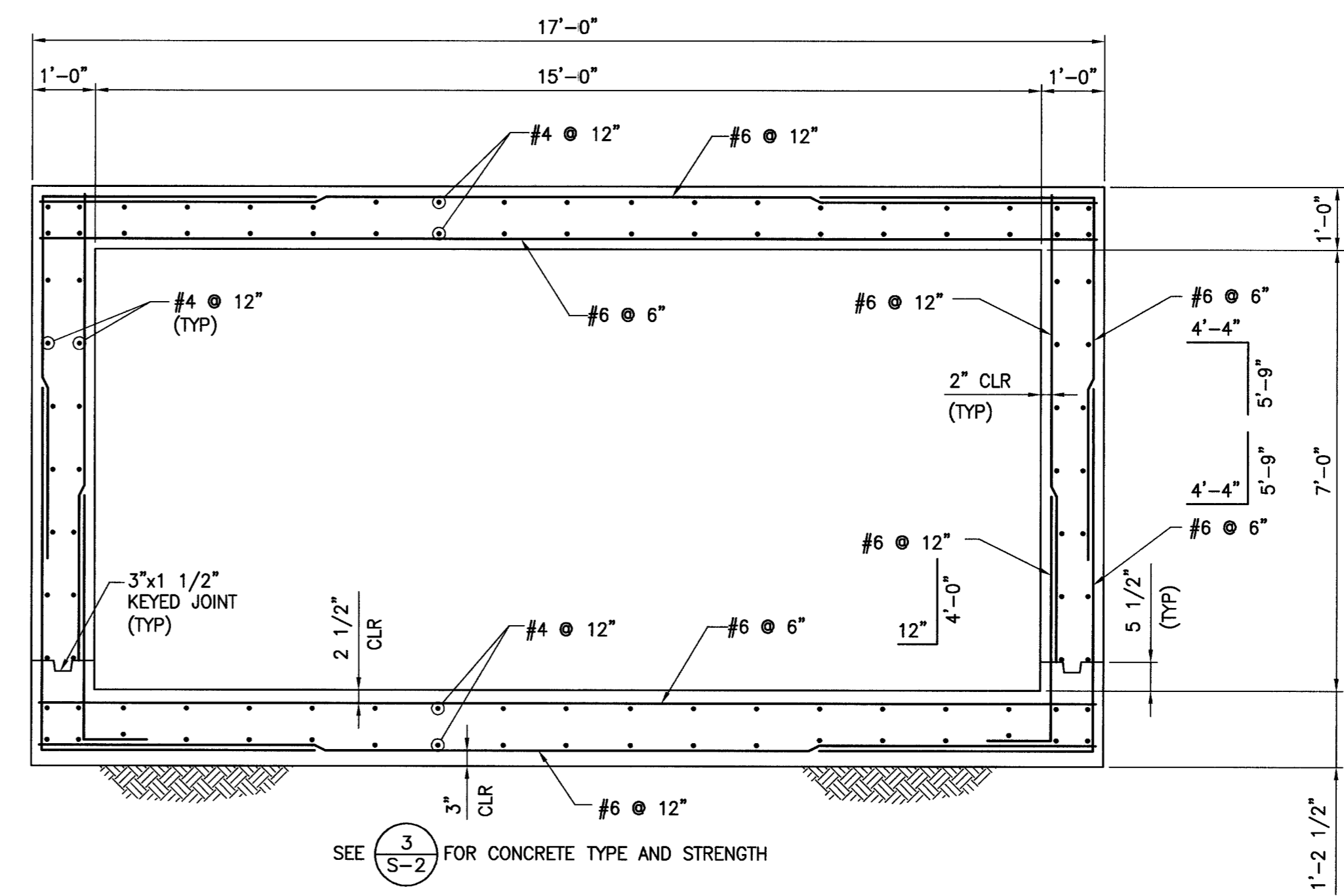
PLAN
3/8" = 1'-0"



SECTION
3/8" = 1'-0"



15' X 7' TO 10' X 6' TRANSITION SECTION
1/2" = 1'-0"



15' X 7' RCB SECTION
1/2" = 1'-0"

NOTE: FOR GENERAL STRUCTURAL NOTES SEE SHEET S-1

 DEPARTMENT OF PUBLIC WORKS 400 STEWART AVENUE LAS VEGAS, NEVADA, NV 89101 (702) 229-8276		 G.C. WALLACE, INC. Engineers/Planners/Surveyors 1555 SOUTH HANBOW BLVD./LAS VEGAS, NEVADA 89146 TELEPHONE: (702) 804-2000 • FAX: (702) 804-2289	
SHEET 15' X 7' RCB AND 15' X 7' TO 10' X 6' RCB TRANSITION STRUCTURE		TITLE GOWAN NORTH CHANNEL PHASE IV	
DRAWN BY: NO.	DESIGNED BY: RIN	CHECKED BY: NO.	PROJECT NO: 412.627
SCALE: AS SHOWN HORIZ AS SHOWN VERT		SEAL RIMAH NAZZAL CIVIL STRUCTURAL No. 12971 4/24/07	
SHEET S-4		OF 45 SHEETS	
DRAWING NO. 731-65C		REVISION DATE BY	

101708