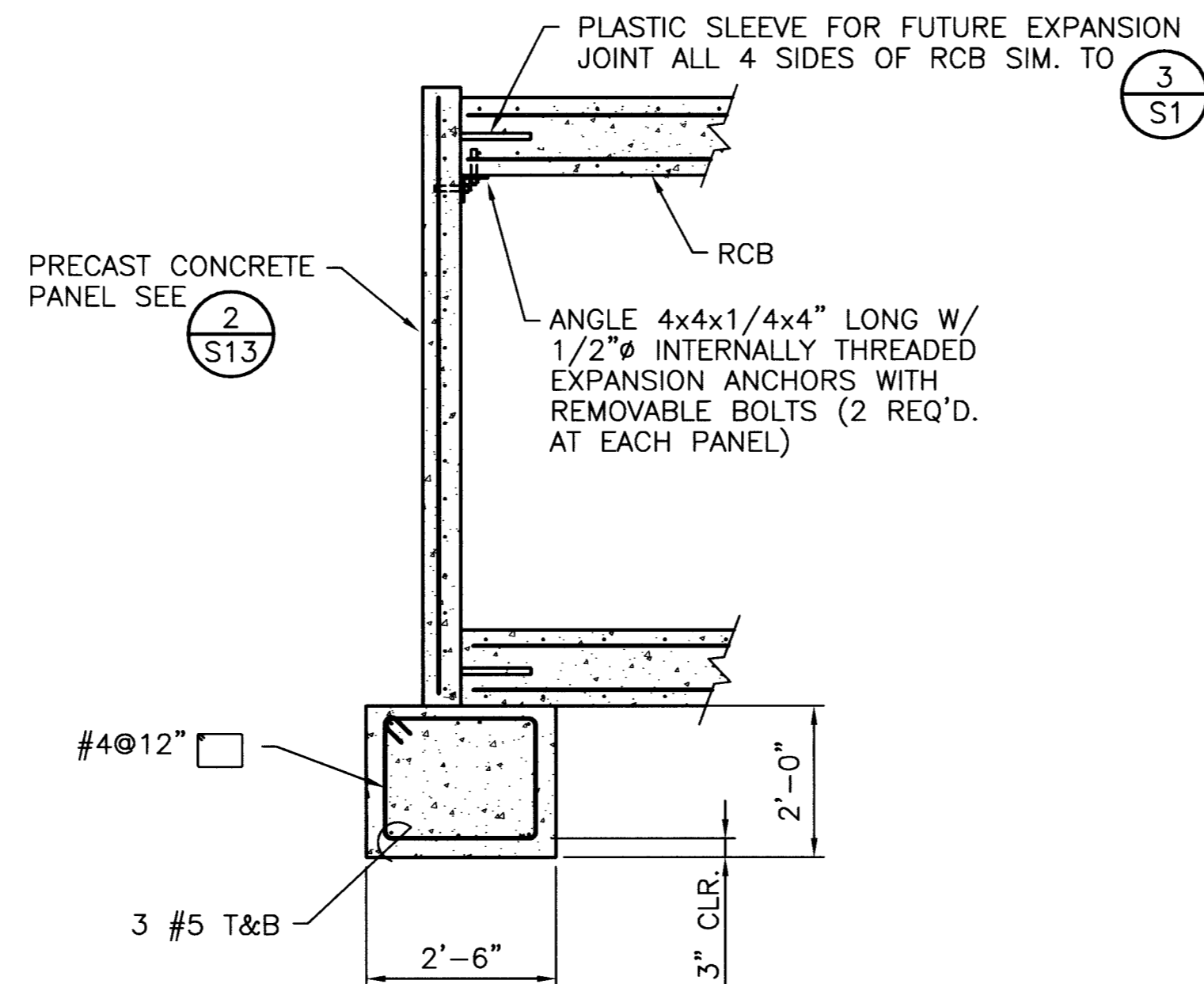


TYPICAL 3 PLACES SEE SHEETS C15 & C19 FOR LOCATIONS

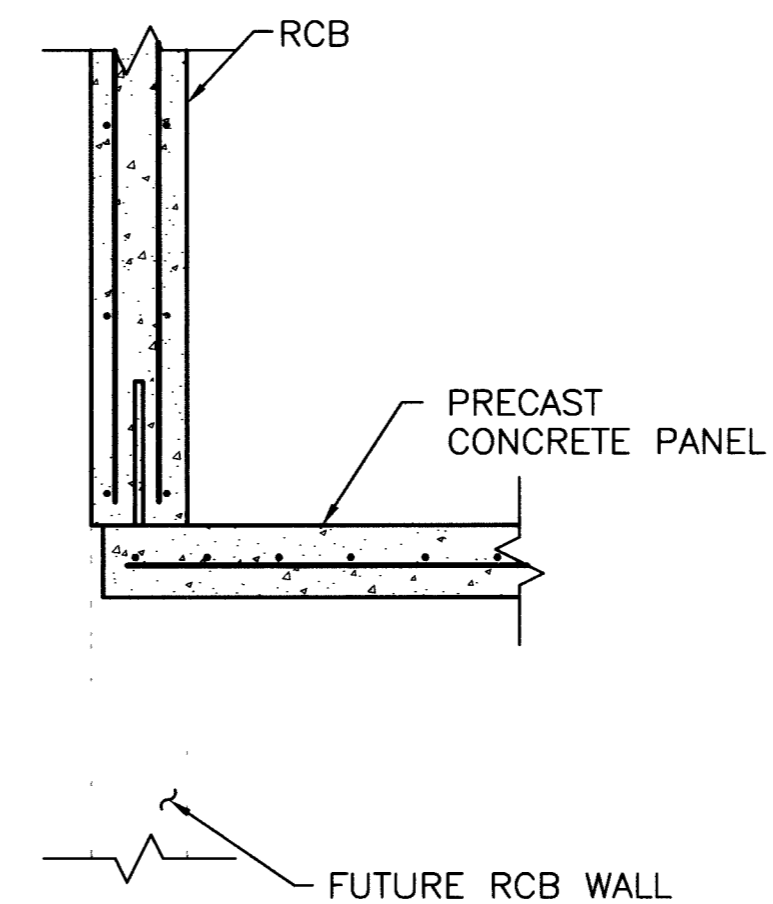
TYPICAL CLOSURE PANEL

SCALE: 1/4"=1'-0"



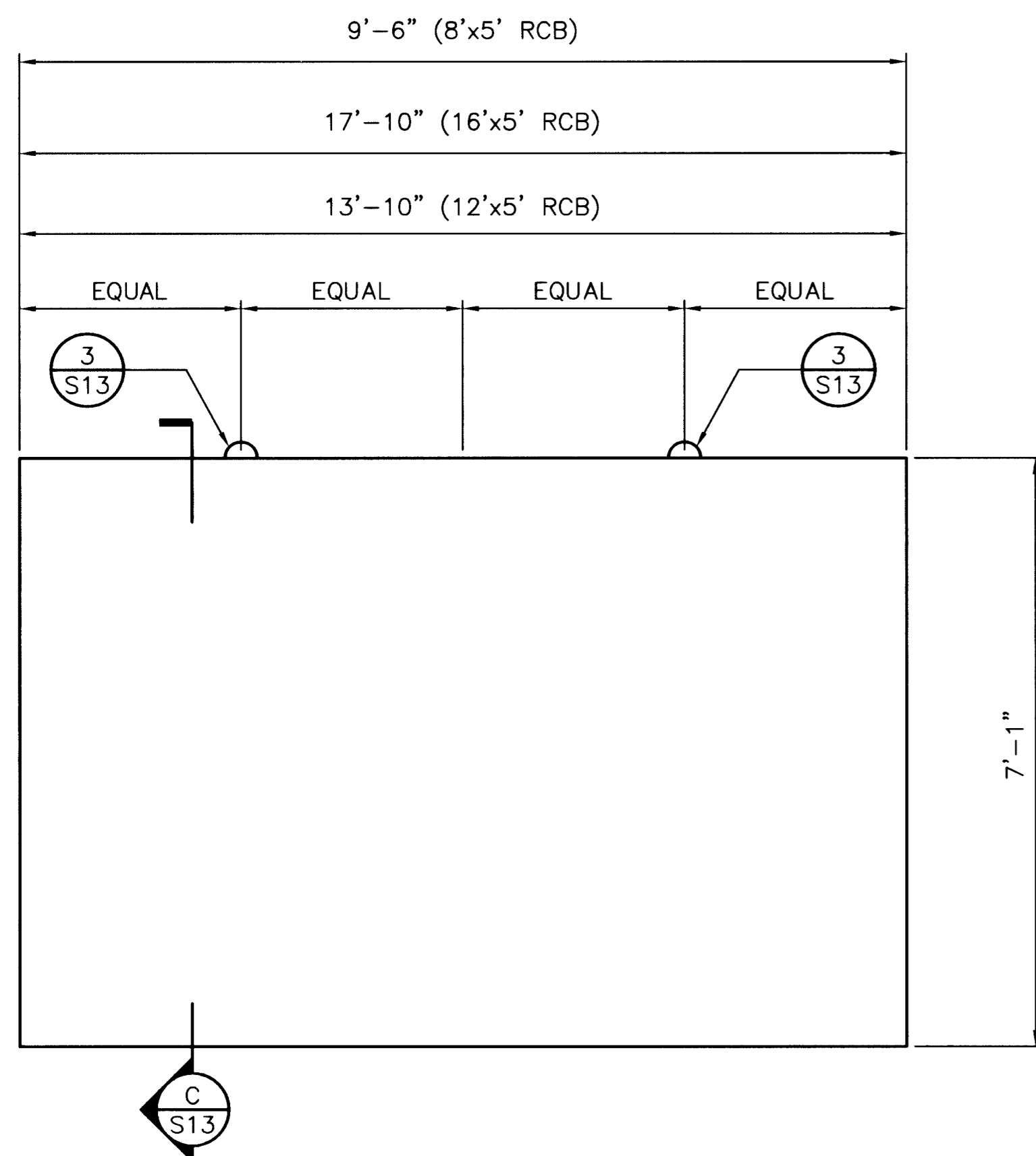
SECTION

SCALE: 1/2"=1'-0"



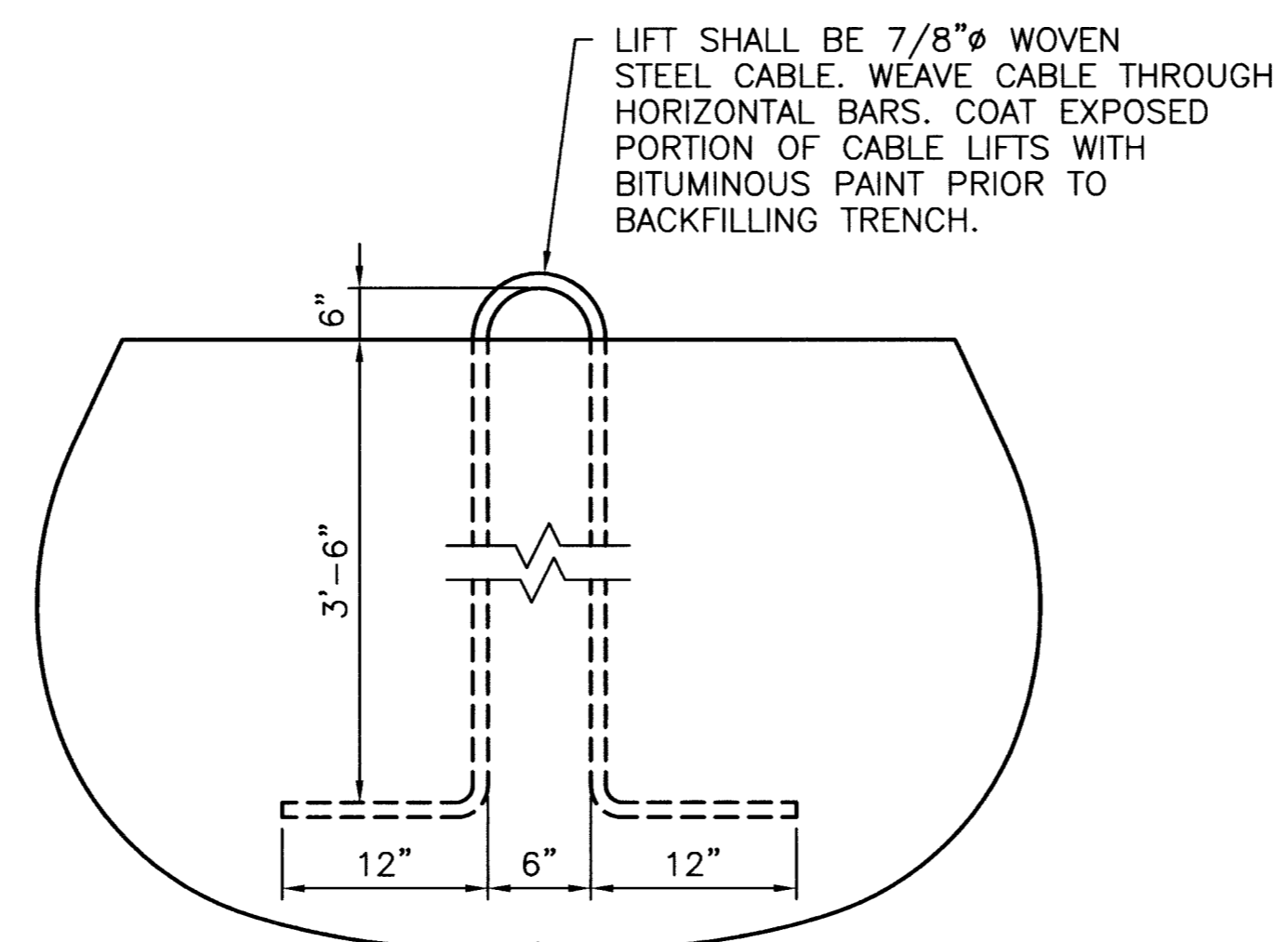
SECTION

SCALE: 3/4"=1'-0"



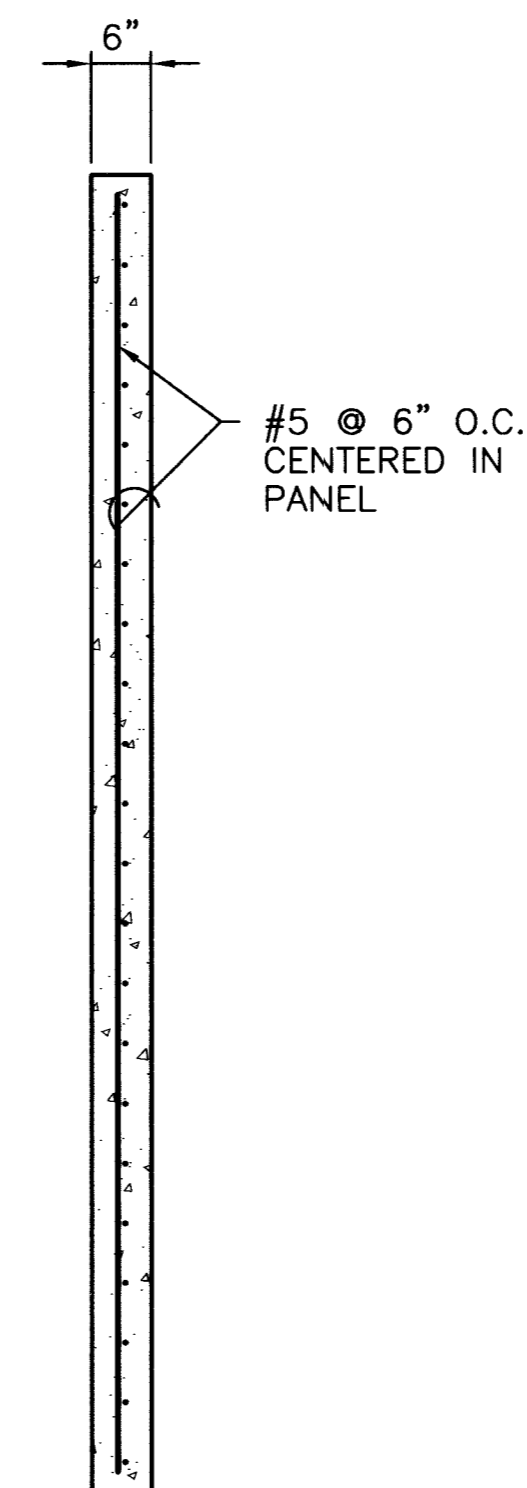
PRECAST CONCRETE PANEL DETAIL

SCALE: N.T.S.



LIFT PROTECTION

SCALE: N.T.S.



SECTION

SCALE: N.T.S.

DEPARTMENT OF PUBLIC WORKS
ENGINEERING DESIGN SECTION

CITY ENGINEER: CHARLES V. KOWSKI, JR., P.E.
CITY PROJECT ENGINEER: MARVIN STINE, P.E.
PROJECT MANAGER: ALI ZENHARI, P.E.
DESIGN BY: DWS
DRAWN BY: ALA/YELY

CHECK BY: DWS
DATE: JUNE 20, 2003

GOWAN NORTH CHANNEL
PHASE III

CLOSURE PANELS

TITLE: SHEET:

PROFESSIONAL ENGINEER STATE OF NEVADA
DAVID W. SEELY
CIVIL
No. 1175

EXP. 6/30/04

SHEET: **S13**

39 OF 42

DRAWING# 731-65B

R2H ENGINEERING
CONSULTING STRUCTURAL ENGINEERS

840 GRIER DRIVE, SUITE 320
LAS VEGAS, NEVADA 89119
PHONE (702) 260-7000
FAX (702) 260-7070

641197