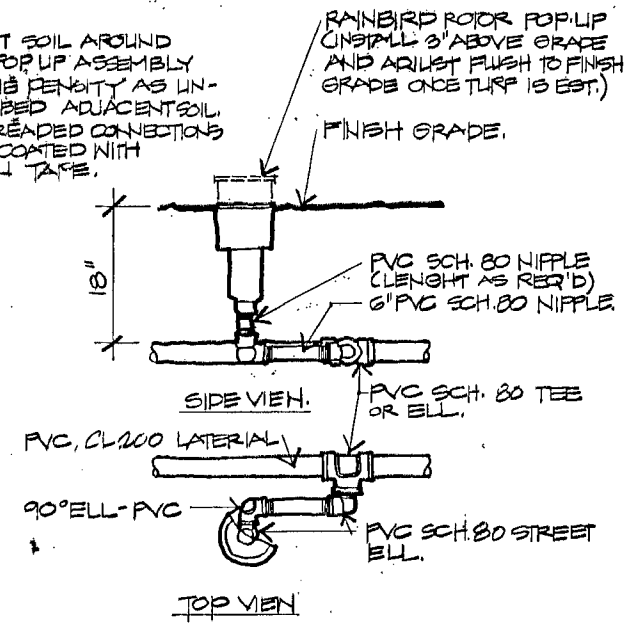


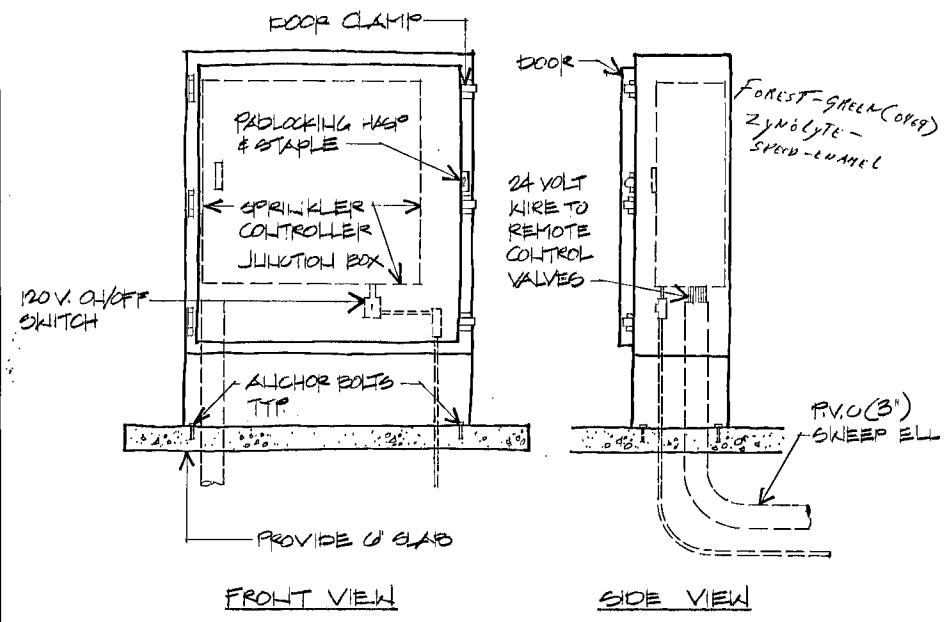
**NOTE:**

- COMPACT SOIL AROUND ROTOR POP UP ASSEMBLY TO SAME DENSITY AS UN-DISTURBED ADJACENT SOIL.
- ALL THREADED CONNECTIONS TO BE COATED WITH TEFLON TAPE.



**ROTOR POP-UP DETAIL**

NOT TO SCALE

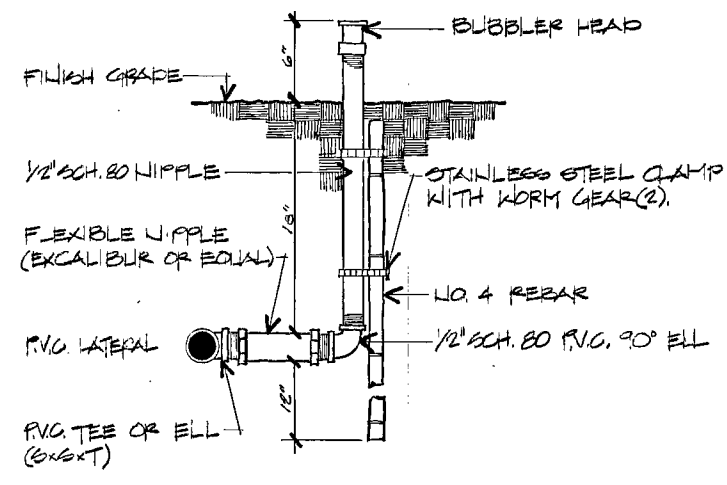


**NOTES:**

1. ENCLOSURE SHALL BE NEMA TYPE 4
2. INSTALL AS PER LOCAL CODE
3. SPRINKLER CONTROLLER TO BE POSITIONED TO ALLOW REMOVAL OF INTERNAL PANEL FOR MAINTENANCE
4. ENCLOSURE SHALL BE INSTALLED FLUSH
5. PAINT ENCLOSURE 1/2 COATS ENAMEL TO MATCH EXIST CONTROLLERS
6. CONCRETE SHALL BE FIVE(5) SACK MIX.
7. ENCLOSURE SHALL BE SINGLE DOOR, WALL MOUNT MANUFACTURED BY CIRCLE K W PRODUCTS. ADAPT 12" FLOOR MOUNT KIT (LEGS) TO CABINET TO CREATE FREE STANDING UNIT.

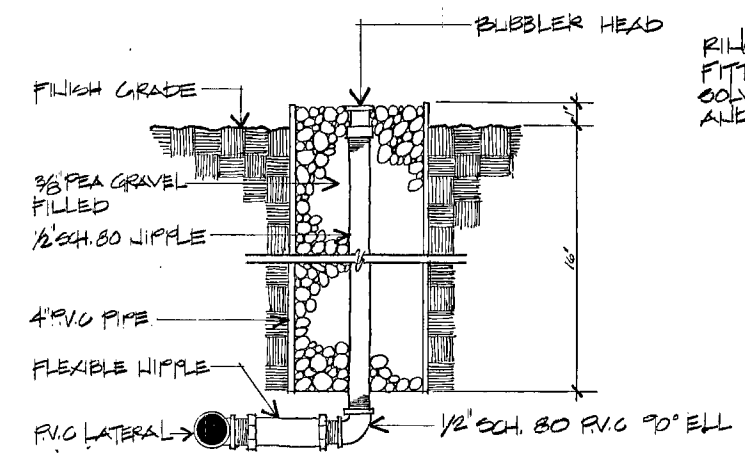
**AUTOMATIC CONTROLLER ENCLOSURE**

NOT TO SCALE



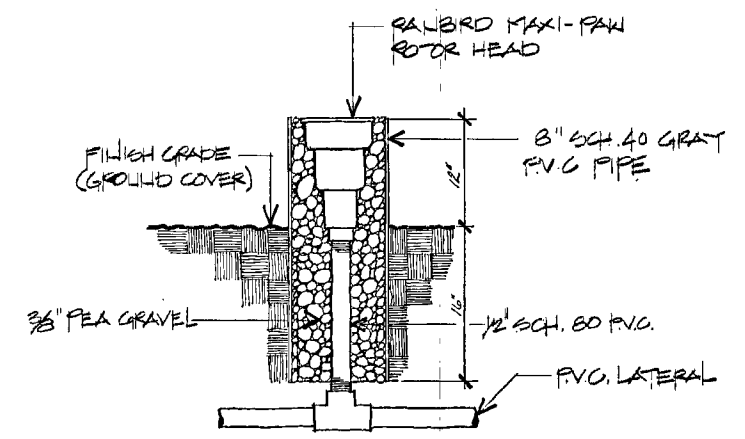
**SHRUB BUBBLER DETAIL**

NOT TO SCALE



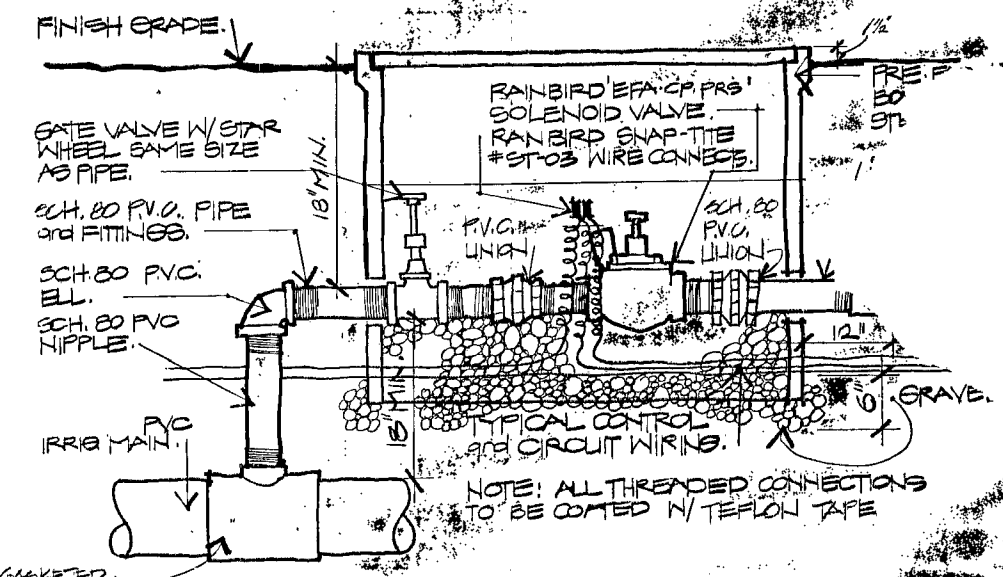
**TREE BUBBLER DETAIL**

NOT TO SCALE



**GROUND COVER ROTOR HEAD**

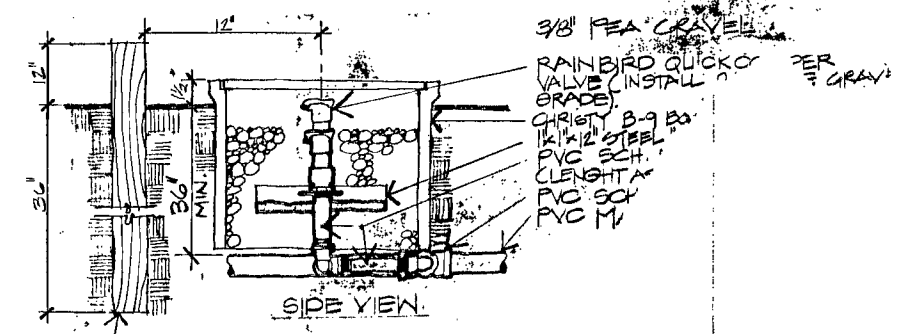
NOT TO SCALE



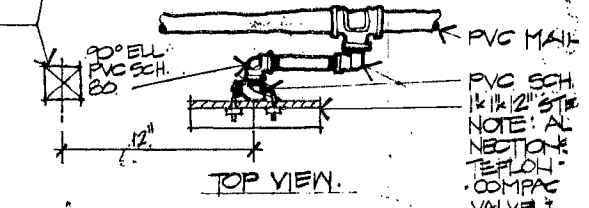
**TYPICAL LAWN & SHRUB VALVE DETAIL**

NOT TO SCALE

RIL-TITE GASKETED FITTINGS 2'-4" & COLVELT WELD 2" AND SMALLER

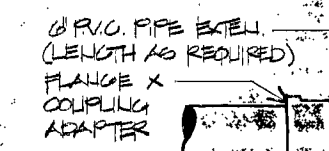
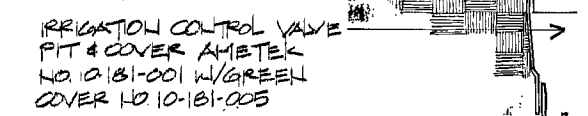


4x4x48 REDWOOD VALVE MARKER (TYPICAL)



**QUICK COUPLER VALVE**

NOT TO SCALE



**GATE**

NOT TO SCALE