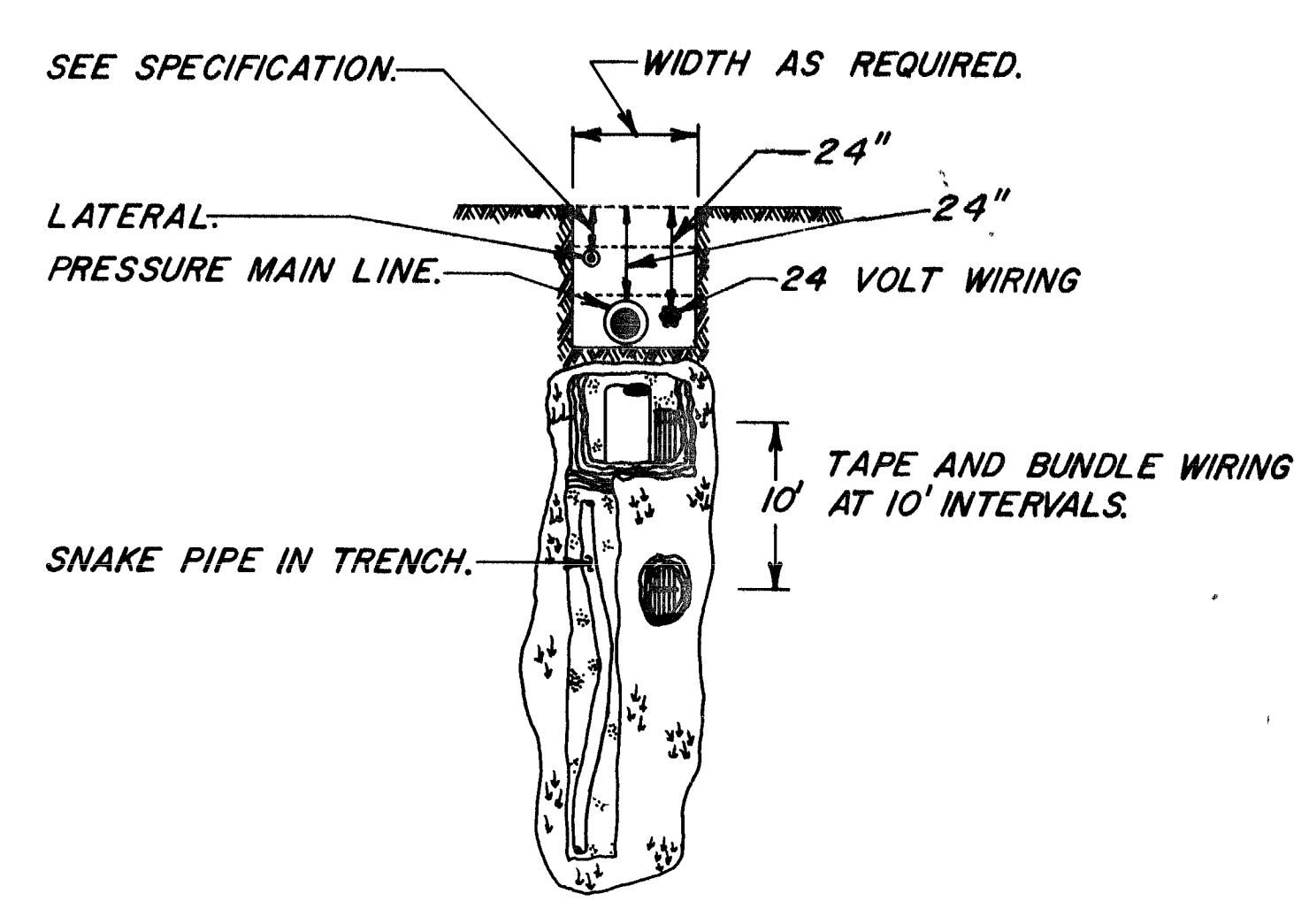
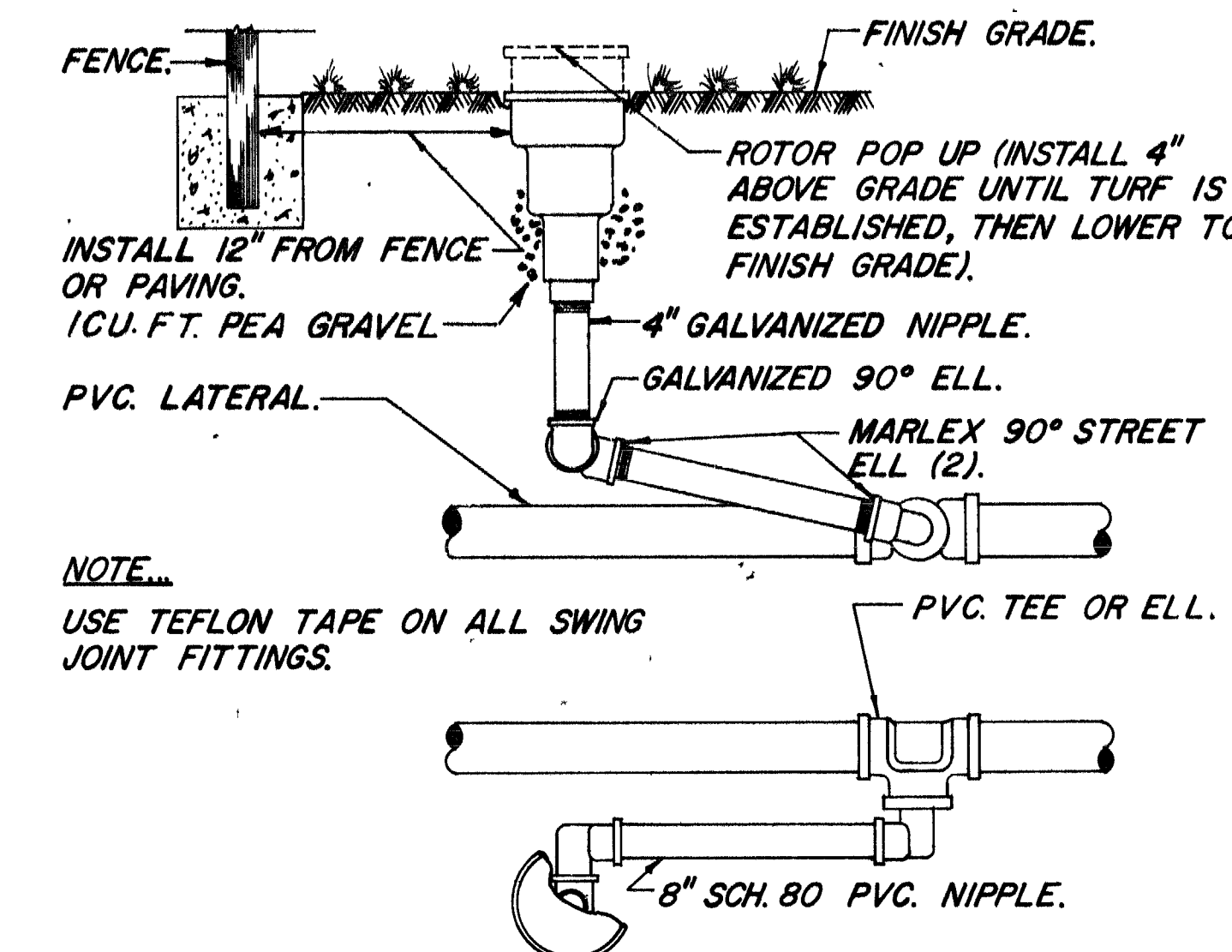


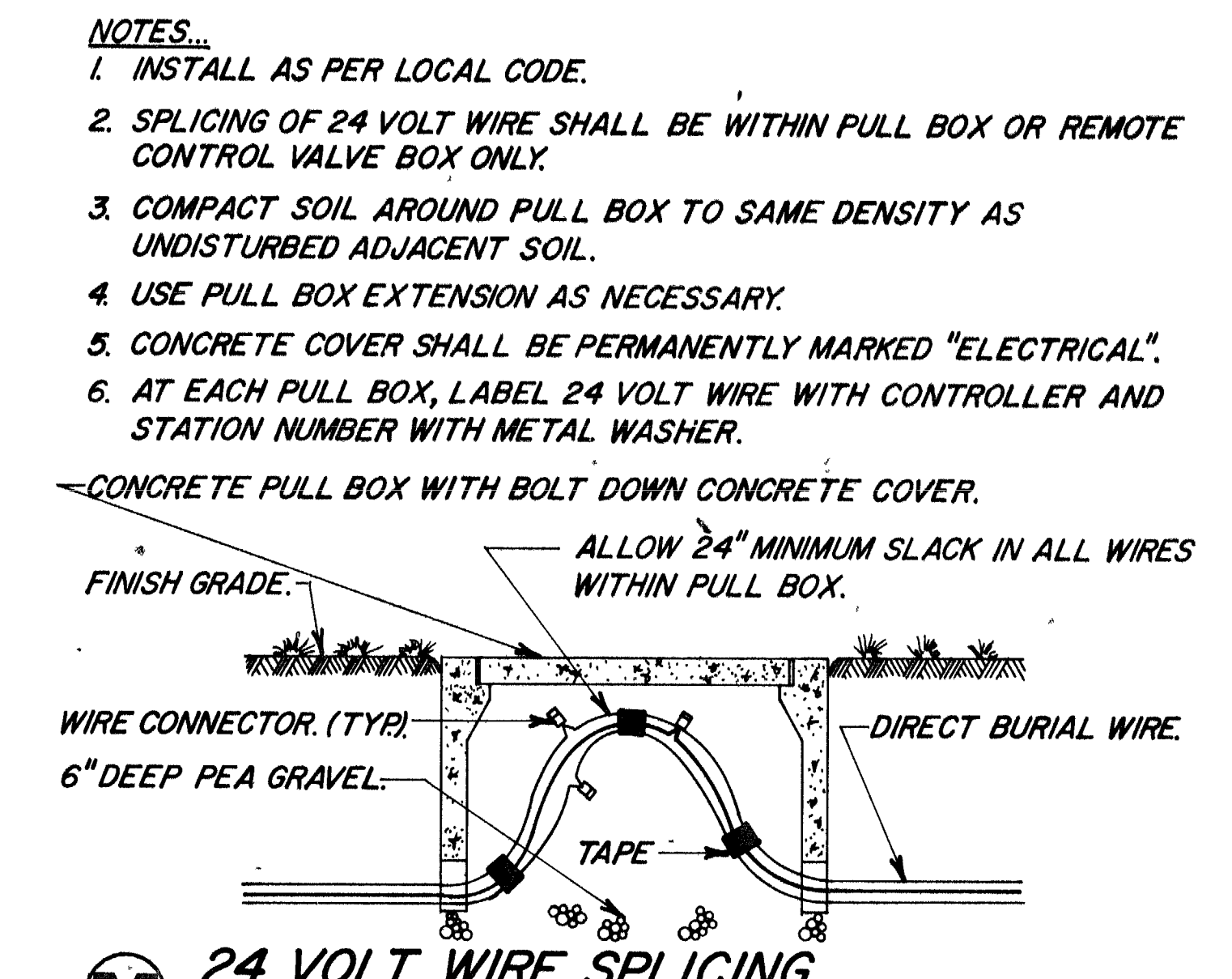
A AUTOMATIC CONTROLLER ENCLOSURE



E TRENCHING DETAIL



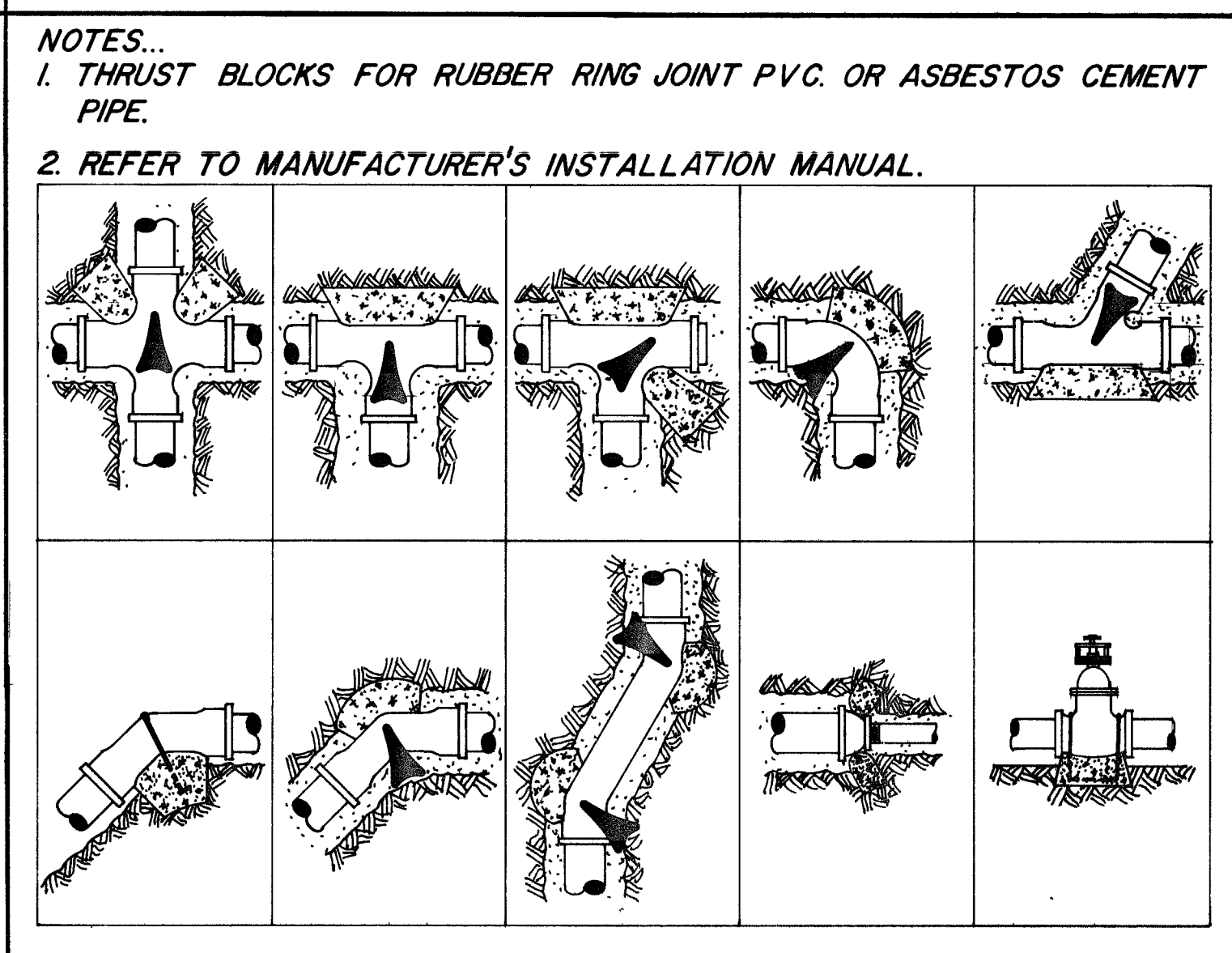
I SWING JOINT RISER



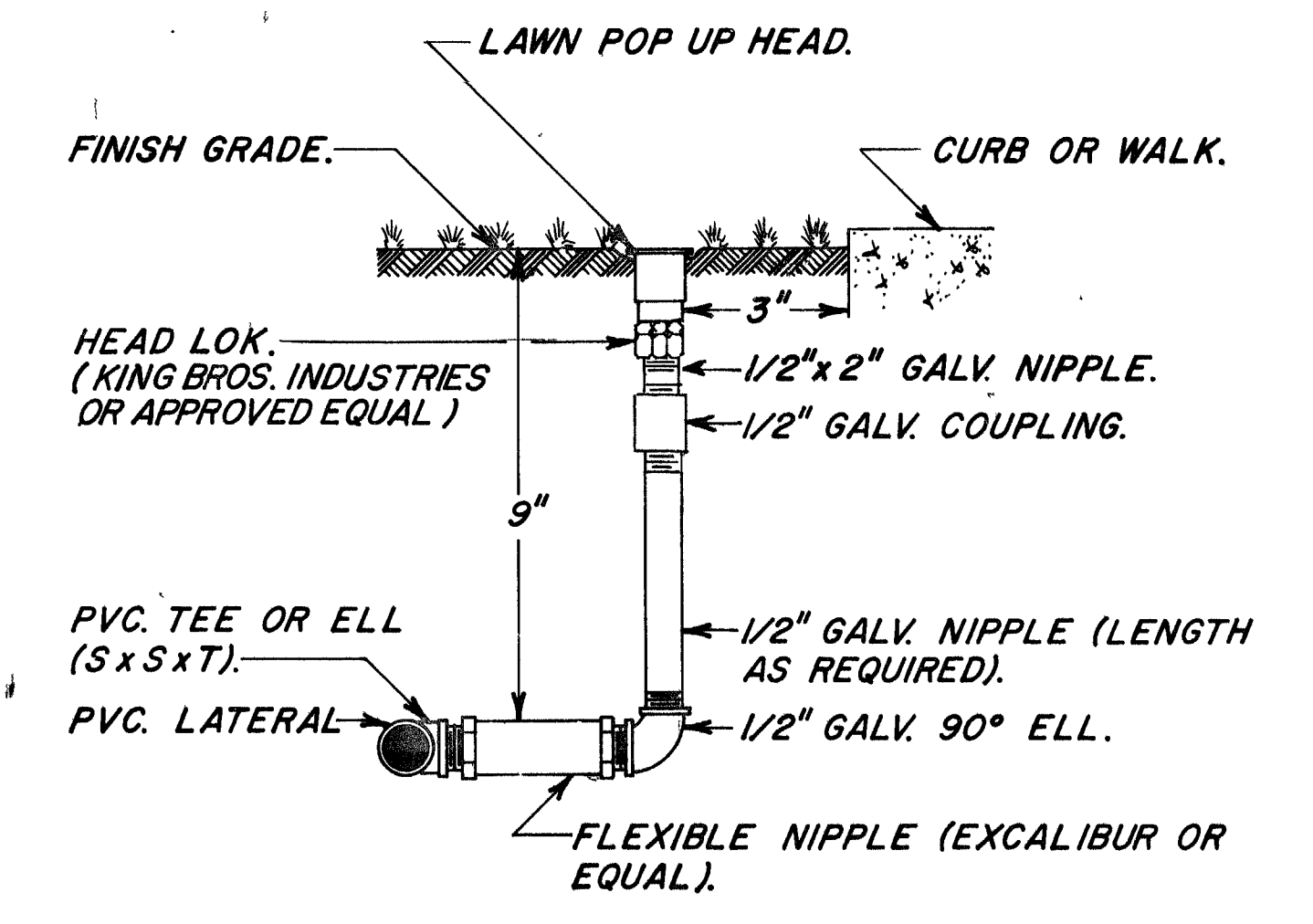
M 24 VOLT WIRE SPLICING

NOTES...
 1. ENCLOSURE SHALL BE NEMA TYPE 4
 2. INSTALL AS PER LOCAL CODE.
 3. SPRINKLER CONTROLLER TO BE POSITIONED TO ALLOW REMOVAL OF INTERNAL PANEL FOR MAINTENANCE.
 4. ENCLOSURE SHALL BE INSTALLED PLUMB.
 5. PAINT ENCLOSURE WITH TWO (2) COATS EXTERIOR ENAMEL, COLOR TO BE SELECTED BY OWNER.
 6. CONCRETE SHALL BE FIVE (5) SACK MIX.
 7. ENCLOSURE SHALL BE SINGLE DOOR, WALL MOUNT MANUFACTURED BY CIRCLE A.W. PRODUCTS. ADAPT 12" FLOOR MOUNT KIT (LEGS) TO CABINET TO CREATE FREE STANDING UNIT.

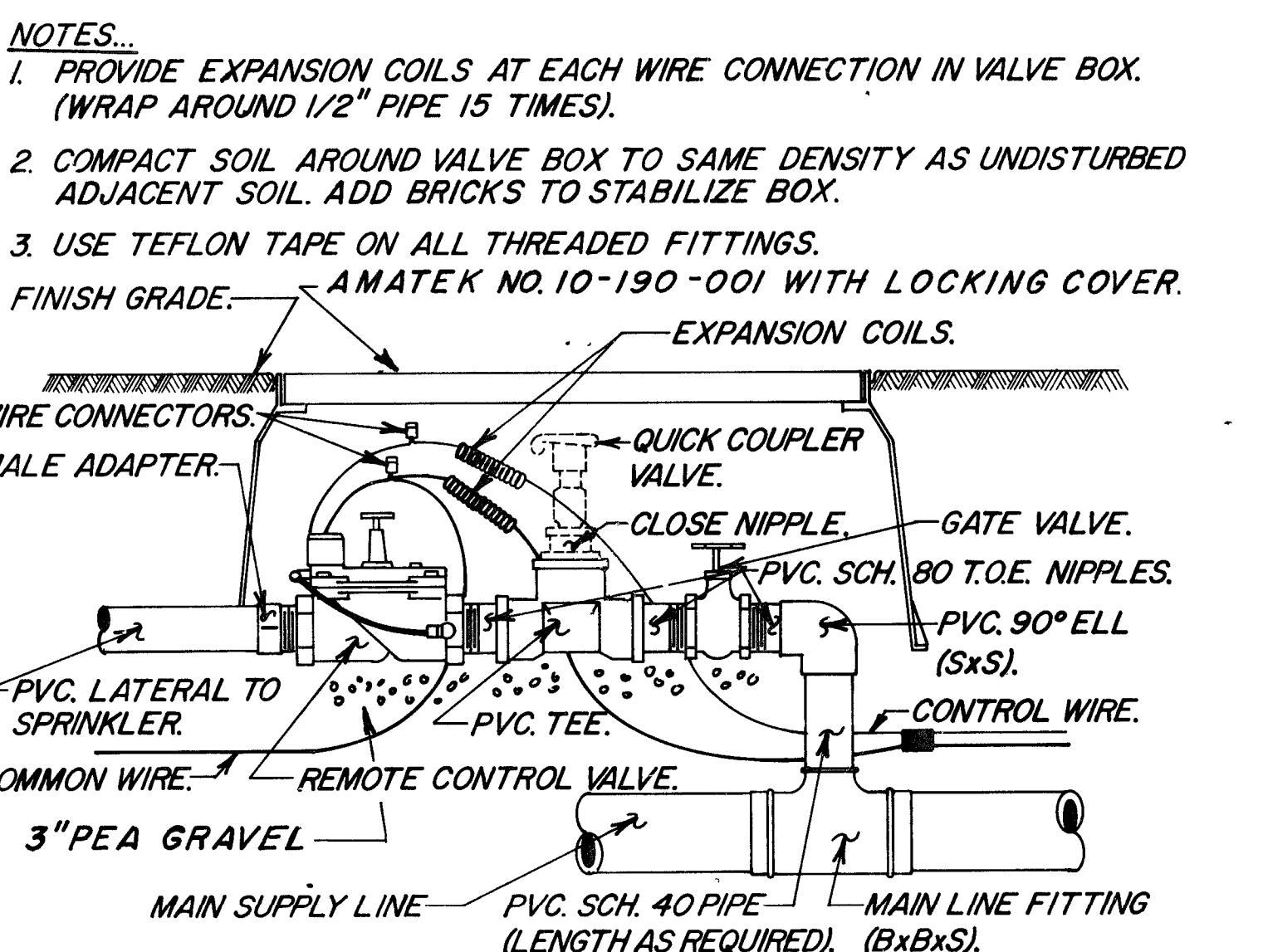
B AUTOMATIC CONTROLLER ENCLOSURE INSTALLATION & NOTES



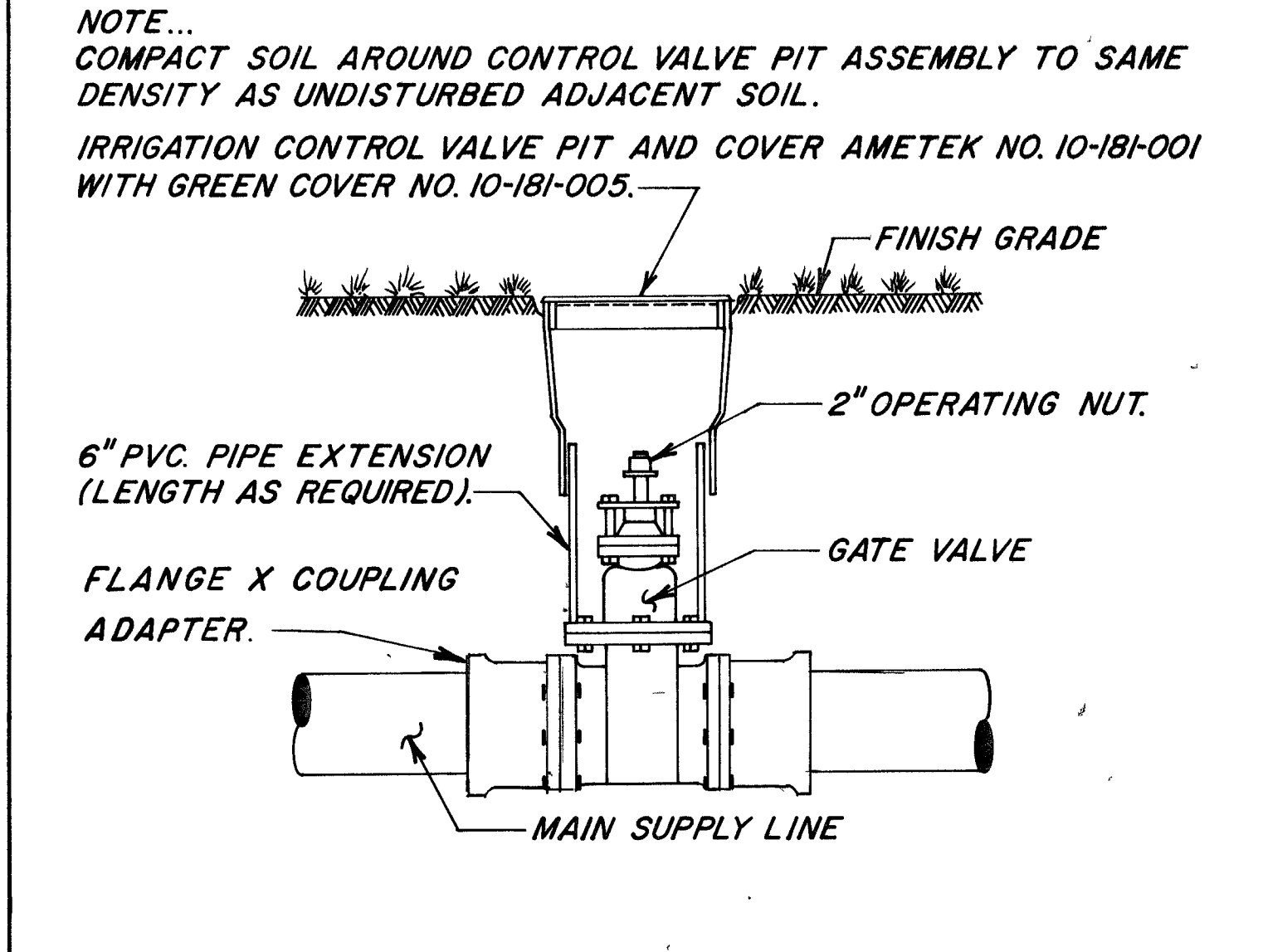
F THRUST BLOCKS FOR RUBBER RING JOINT PIPE



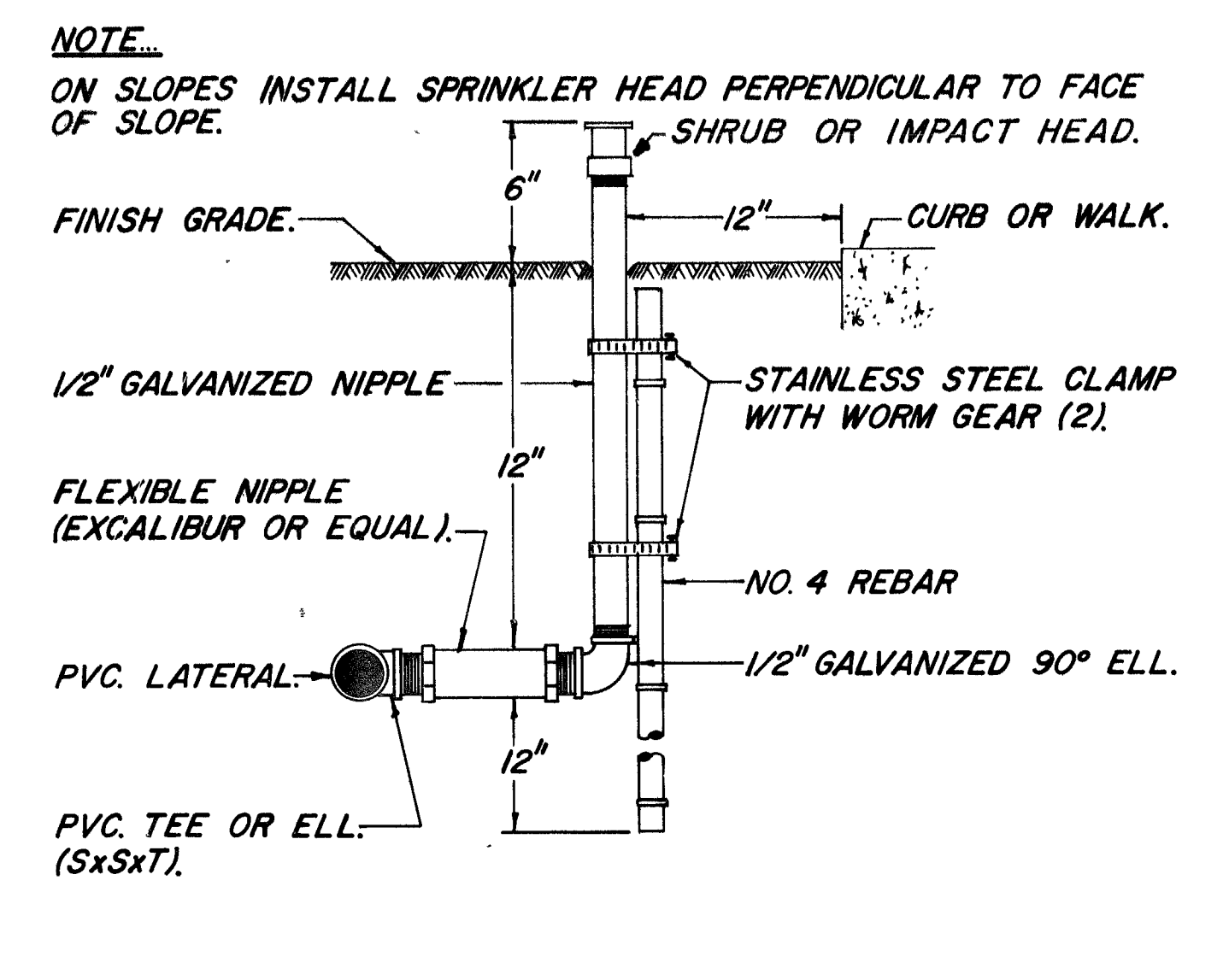
J LAWN POP UP RISER



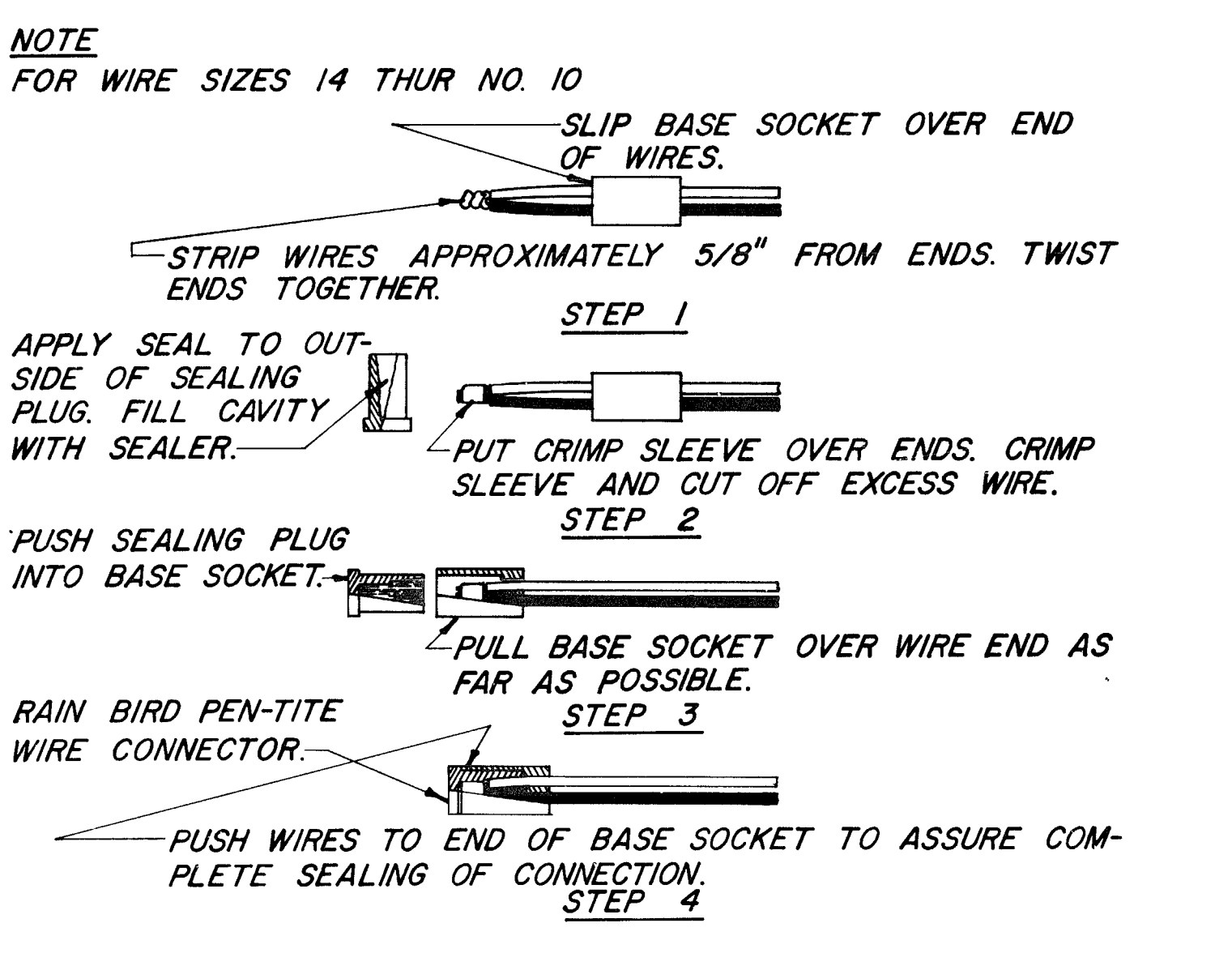
C REMOTE CONTROL VALVE



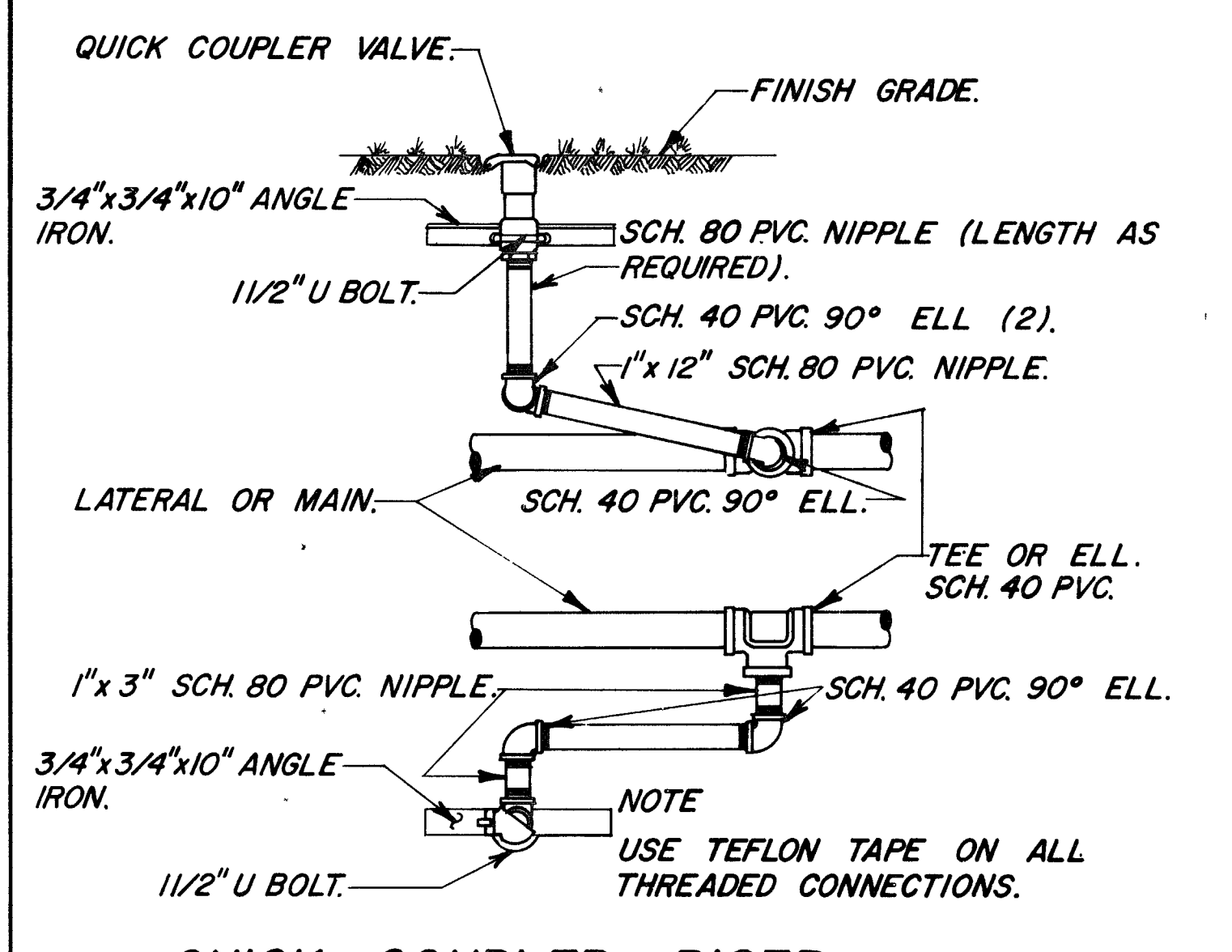
G MAIN LINE GATE VALVE



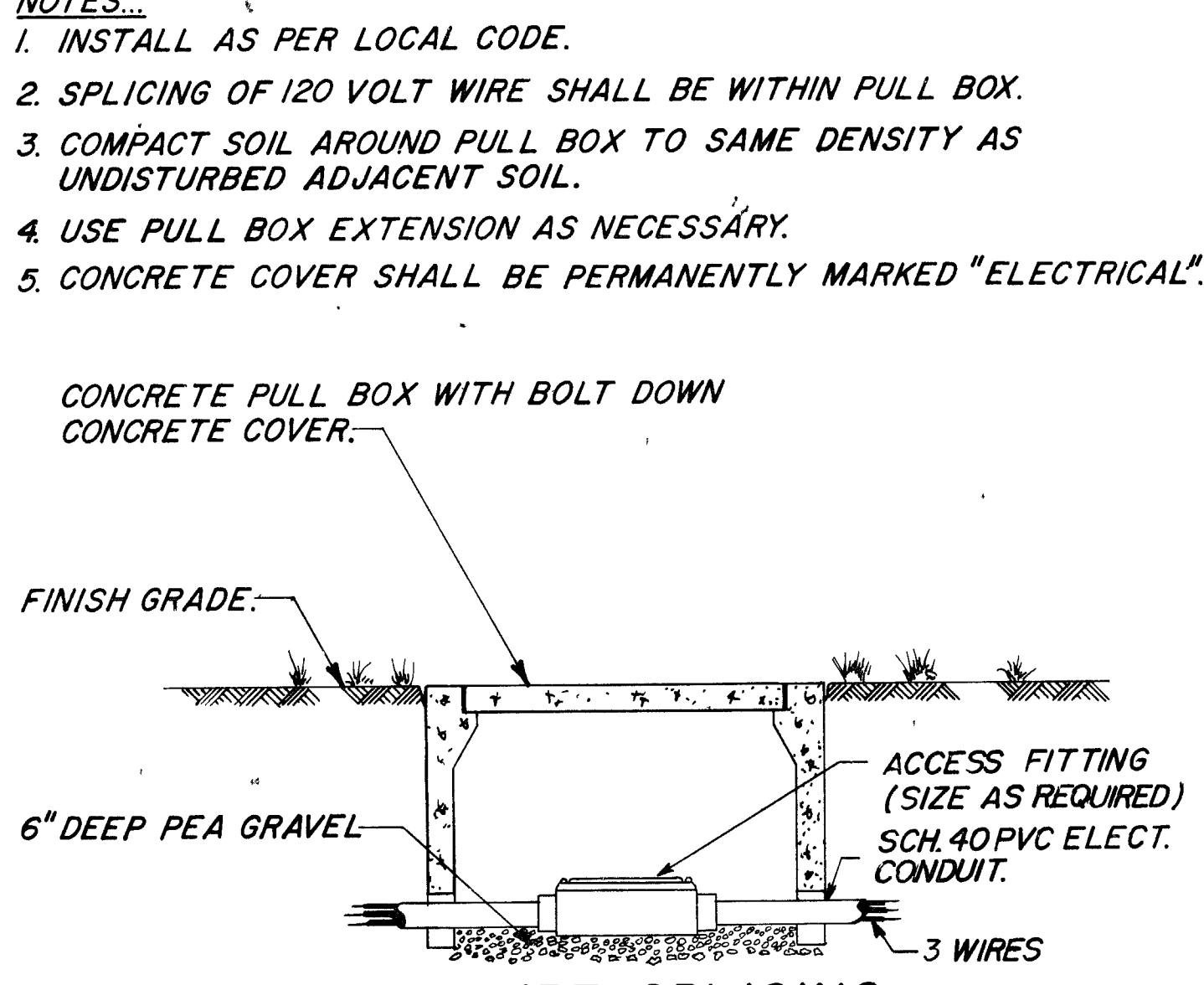
K SHRUB HEAD RISER (INCLUDING IMPACT HEAD - 3/4")



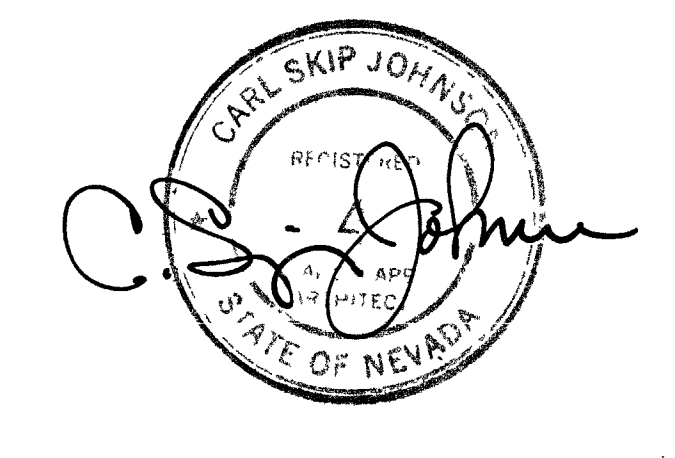
D WIRE CONNECTION



H QUICK COUPLER RISER



L 120 VOLT WIRE SPLICING



OCTOBER 1979
 sherman-johnson
 associates
 Irrigation consultants
 SJA JOB NO. 79-184-1B

IRRIGATION DETAILS

CHARLES SALADINO-LANDSCAPE ARCHITECT-ASLA-LTD
 FLOYD LAMB STATE PARK 31 TULE SPRINGS PHASE 1B & 2
 LAS VEGAS NEVADA
 1395 HASKELL ST.-SUITE C-RENO, NEVADA - 89509-702-786-2560