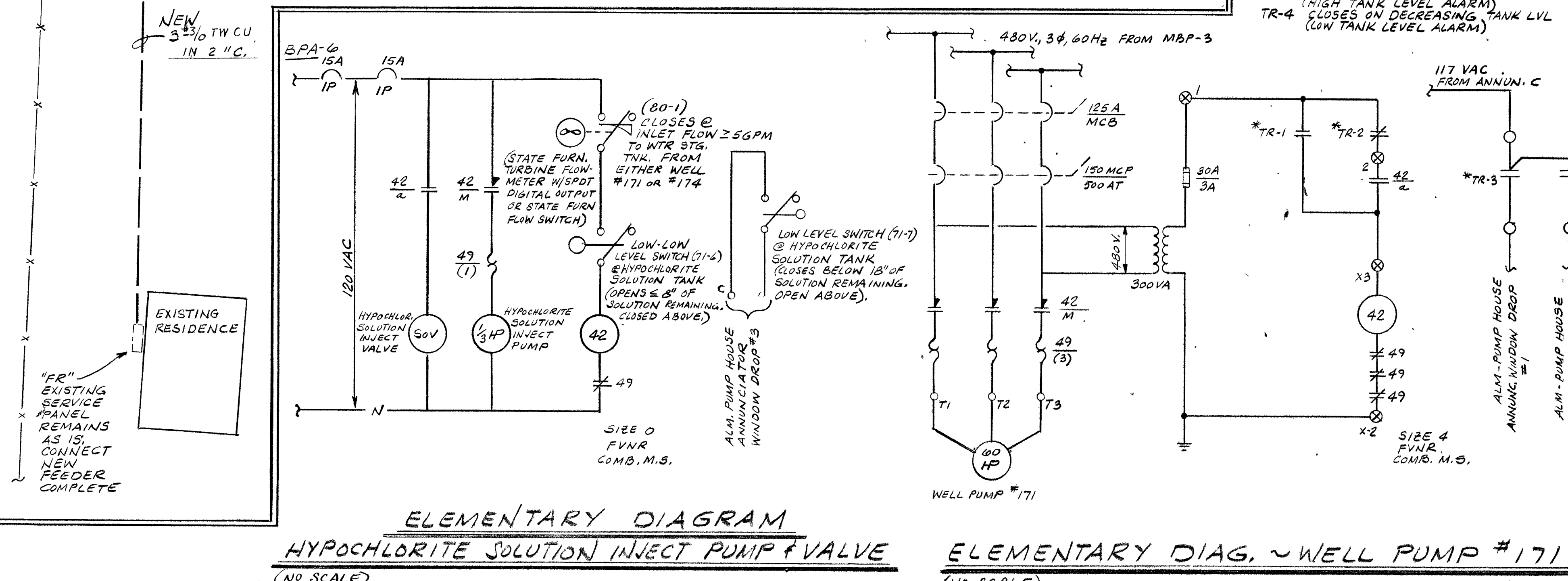
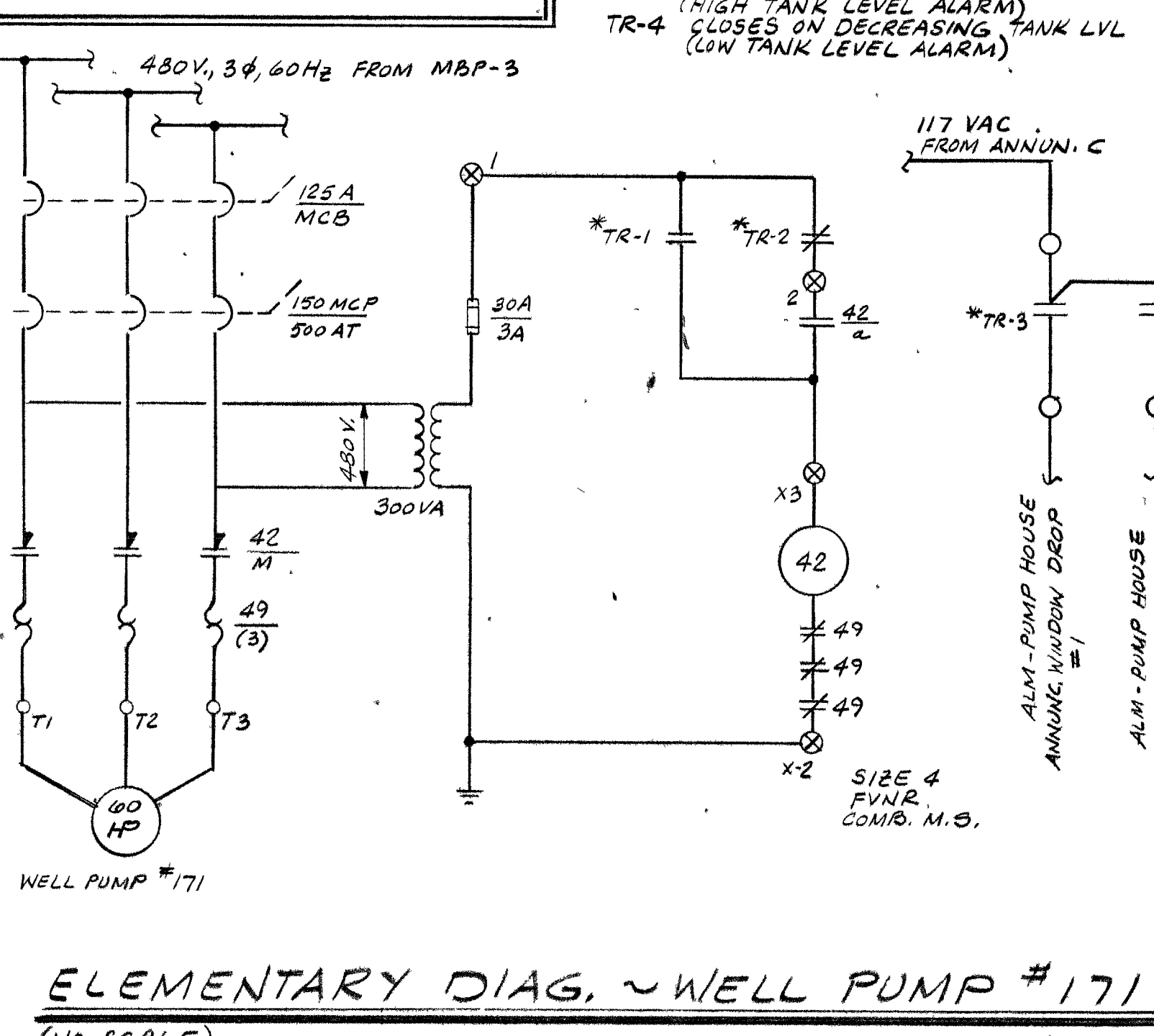


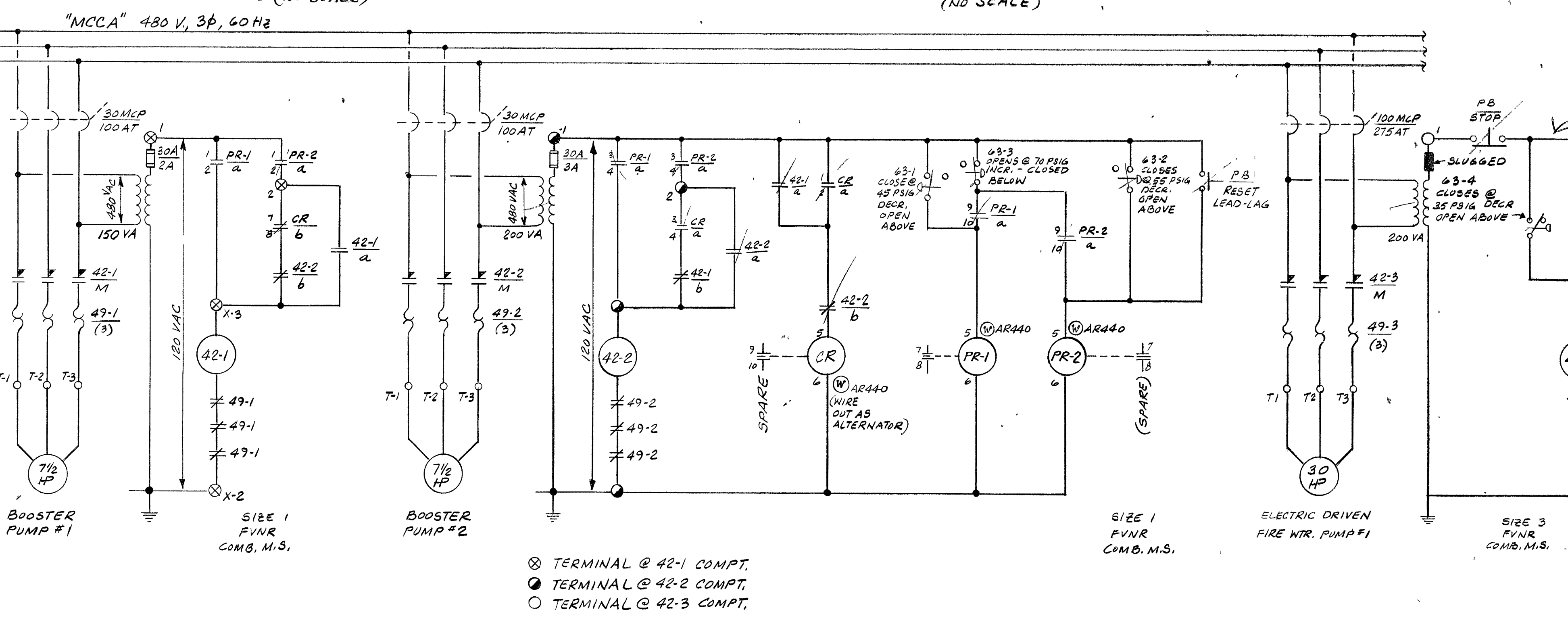
PARTIAL ELECTRICAL SITE PLAN
DIVISION OF FORESTRY
 SCALE: 1"=20'



ELEMENTARY DIAGRAM
HYPOCHLORITE SOLUTION INJECT PUMP & VALVE
 (NO SCALE)



ELEMENTARY DIAG. ~ WELL PUMP #171
 (NO SCALE)



ELEMENTARY DIAGRAM ~ BOOSTER PRESSURE MAINTENANCE PUMPS
 (NO SCALE) (REF.-SEE SH. U-12)

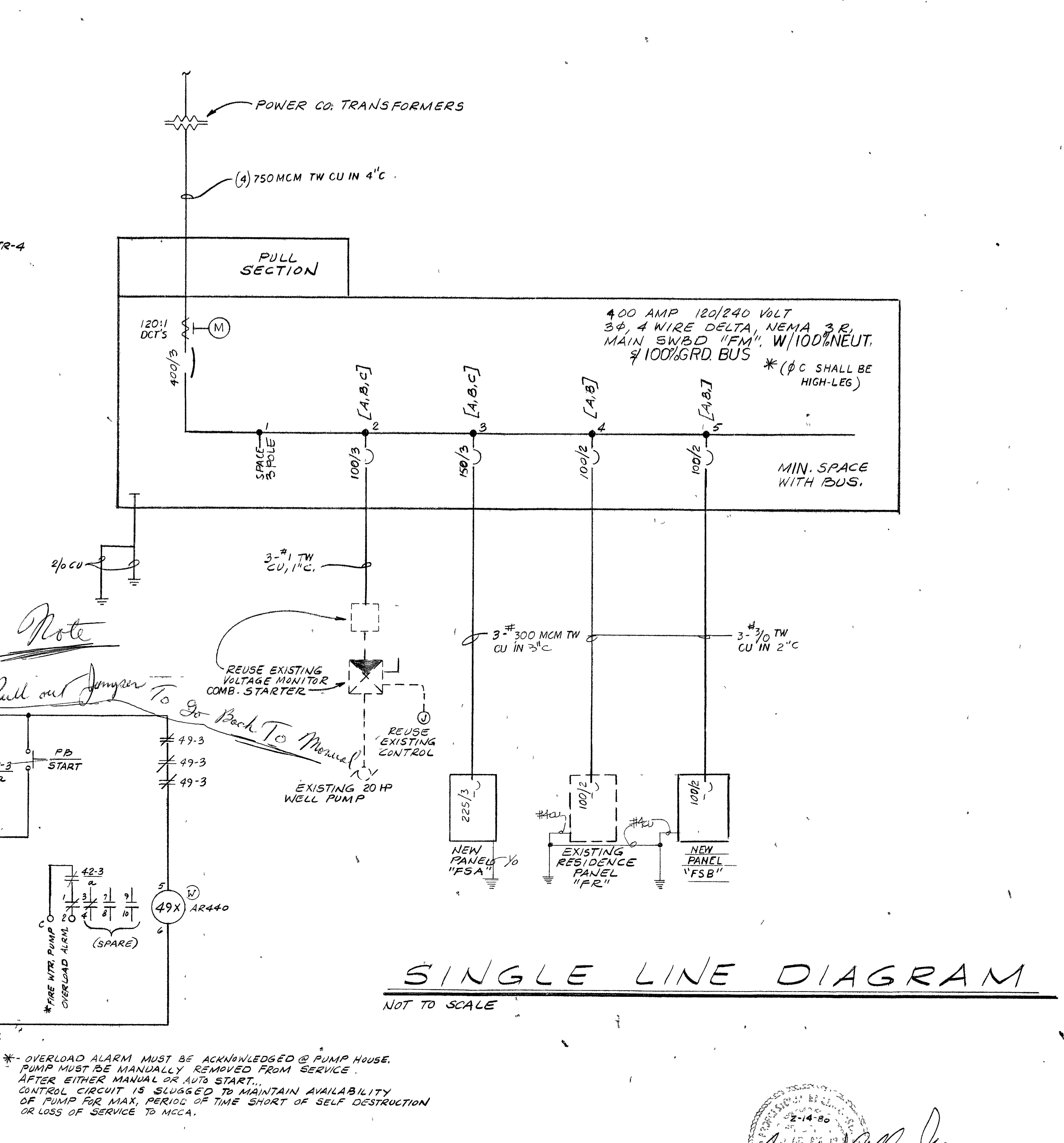
NOTE:
 FIELD MOUNT ALL AUXILIARY CONTROL INTERPOSING RELAYS @ APPLICABLE MCCA COMPARTMENTS & WIRE OUT TO PLOT DEVICES AS REQUIRED.

PANEL "FSA" SCHEDULE
 TYPE: CDP - NEMA 3R
 VOLTAGE: 120/240 V, 3Ø, 3W, 4W
 BRACING: 14K (MIN)
 MOUNTING: SURFACE
 MAINS: 100A + HCB
 TOTALS: 8A 18000, 8B 18000, 8C 18000 = 54000 VA
 AMP CALC: 54000 / (3Ø) = 135 x 1.25 = 170 AMPS

CIRCUIT DESCRIPTION	NO.	VA	ØA	ØB	ØC	ØW	ØN	CIRCUIT DESCRIPTION
SPACE W/BUS	1							SPACE W/BUS
	2							SPACE W/BUS
	3							SPACE W/BUS
	4							SPACE W/BUS
	5							SPACE W/BUS
	6							SPACE W/BUS
	7							SPACE W/BUS
	8							SPACE W/BUS
	9							SPACE W/BUS
	10							SPACE W/BUS
	11							SPACE W/BUS
	12							SPACE W/BUS
	13							SPACE W/BUS
	14							SPACE W/BUS
	15							SPACE W/BUS
	16							SPACE W/BUS
	17							SPACE W/BUS
	18							SPACE W/BUS
	19							SPACE W/BUS
	20							SPACE W/BUS
	21							SPACE W/BUS
	22							SPACE W/BUS
	23							SPACE W/BUS
	24							SPACE W/BUS
	25							SPACE W/BUS
	26							SPACE W/BUS
	27	6000						EXISTING LOAD
	28	2000						EXISTING LOAD
	29	2000						EXISTING LOAD
	30	2000						EXISTING LOAD
	31	4000						EXISTING LOAD
	32	2000						EXISTING LOAD
	33	2000						EXISTING LOAD
	34	2000						EXISTING LOAD
	35	2000						EXISTING LOAD
	36	2000						EXISTING LOAD
	37	2000						EXISTING LOAD
	38	2000						EXISTING LOAD
	39	2000						EXISTING LOAD
	40	2000						EXISTING LOAD
	41	2000						EXISTING LOAD
	42	2000						EXISTING LOAD
	43							FUTURE A/C UNIT
	44							FUTURE A/C UNIT
	45							FUTURE A/C UNIT
	46							FUTURE A/C UNIT
	47							FUTURE A/C UNIT
	48							FUTURE A/C UNIT
	49							FUTURE A/C UNIT
	50							FUTURE A/C UNIT

PANEL "FSB" SCHEDULE
 TYPE: CDP - NEMA 3R
 VOLTAGE: 120/240 V, 1Ø, 3W
 BRACING: 14K (MIN)
 MOUNTING: SURFACE
 MAINS: 100A + HCB
 TOTALS: 8A 6000, 8B 6000 = 12000 VA
 AMP CALC: 12000 / 240 = 50 x 1.25 = 63 AMPS

CIRCUIT DESCRIPTION	NO.	VA	ØA	ØB	ØC	ØW	ØN	CIRCUIT DESCRIPTION
LIGHTING	1							RECEPTACLES
	2							RECEPTACLES
	3							RECEPTACLES
	4							RECEPTACLES
	5							RECEPTACLES
	6							RECEPTACLES
	7							RECEPTACLES
	8							RECEPTACLES
	9							RECEPTACLES
	10							RECEPTACLES
	11							RECEPTACLES
	12							RECEPTACLES
	13							RECEPTACLES
	14							RECEPTACLES
	15							RECEPTACLES
	16							RECEPTACLES
	17							RECEPTACLES
	18							RECEPTACLES
	19							RECEPTACLES
	20							RECEPTACLES
	21							RECEPTACLES
	22							RECEPTACLES
	23							RECEPTACLES
	24							RECEPTACLES
	25							RECEPTACLES
	26							RECEPTACLES
	27							RECEPTACLES
	28							RECEPTACLES
	29							RECEPTACLES
	30							RECEPTACLES
	31							RECEPTACLES
	32							RECEPTACLES
	33							RECEPTACLES
	34							RECEPTACLES
	35							RECEPTACLES
	36							RECEPTACLES
	37							RECEPTACLES
	38							RECEPTACLES
	39							RECEPTACLES
	40							RECEPTACLES
	41							RECEPTACLES
	42							RECEPTACLES
	43							RECEPTACLES
	44							RECEPTACLES
	45							RECEPTACLES
	46							RECEPTACLES
	47							RECEPTACLES
	48							RECEPTACLES
	49							RECEPTACLES
	50							RECEPTACLES



SINGLE LINE DIAGRAM
 NOT TO SCALE

ELEMENTARY DIAGRAM ~ FIRE WATER PUMP
 (NO SCALE) (REF.-SEE SH. U-12)

CHARLES SALADINO-LANDSCAPE ARCHITECT-ASLA-LTD
 JAMES H. GLOVER CONSULTING ENGINEER
 4000 W. PIONEER AVENUE SUITE 201
 LAS VEGAS, NEVADA 89102
 FLOYD LAMB STATE PARK "TULE SPRINGS" PHASE 1-B & 2
 LAS VEGAS, NEVADA 89109-7027
 1395 HASKELL ST. SUITE C-RENO, NEVADA-89509-2550
 AS SHOWN

Signature
 2-14-80