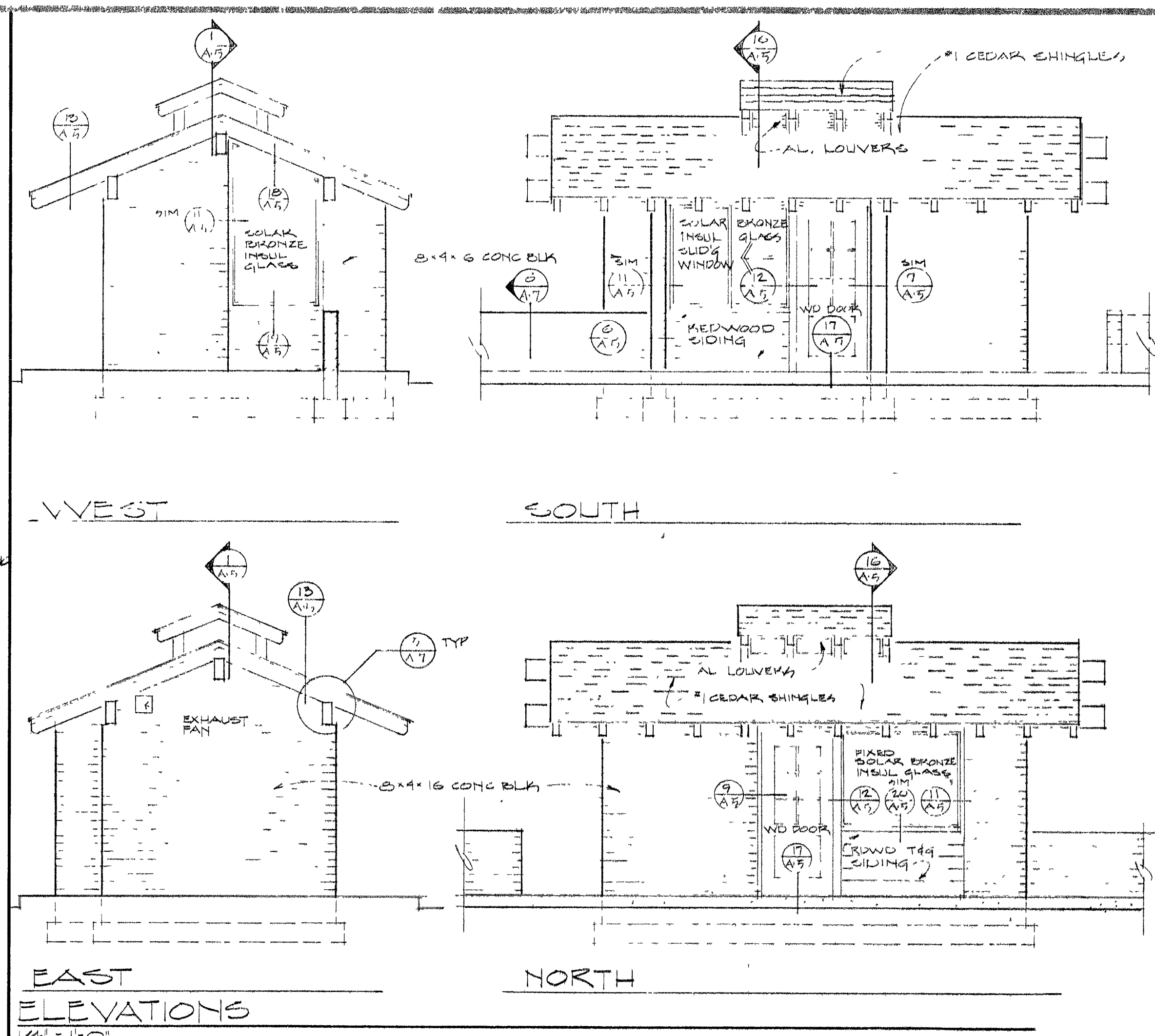
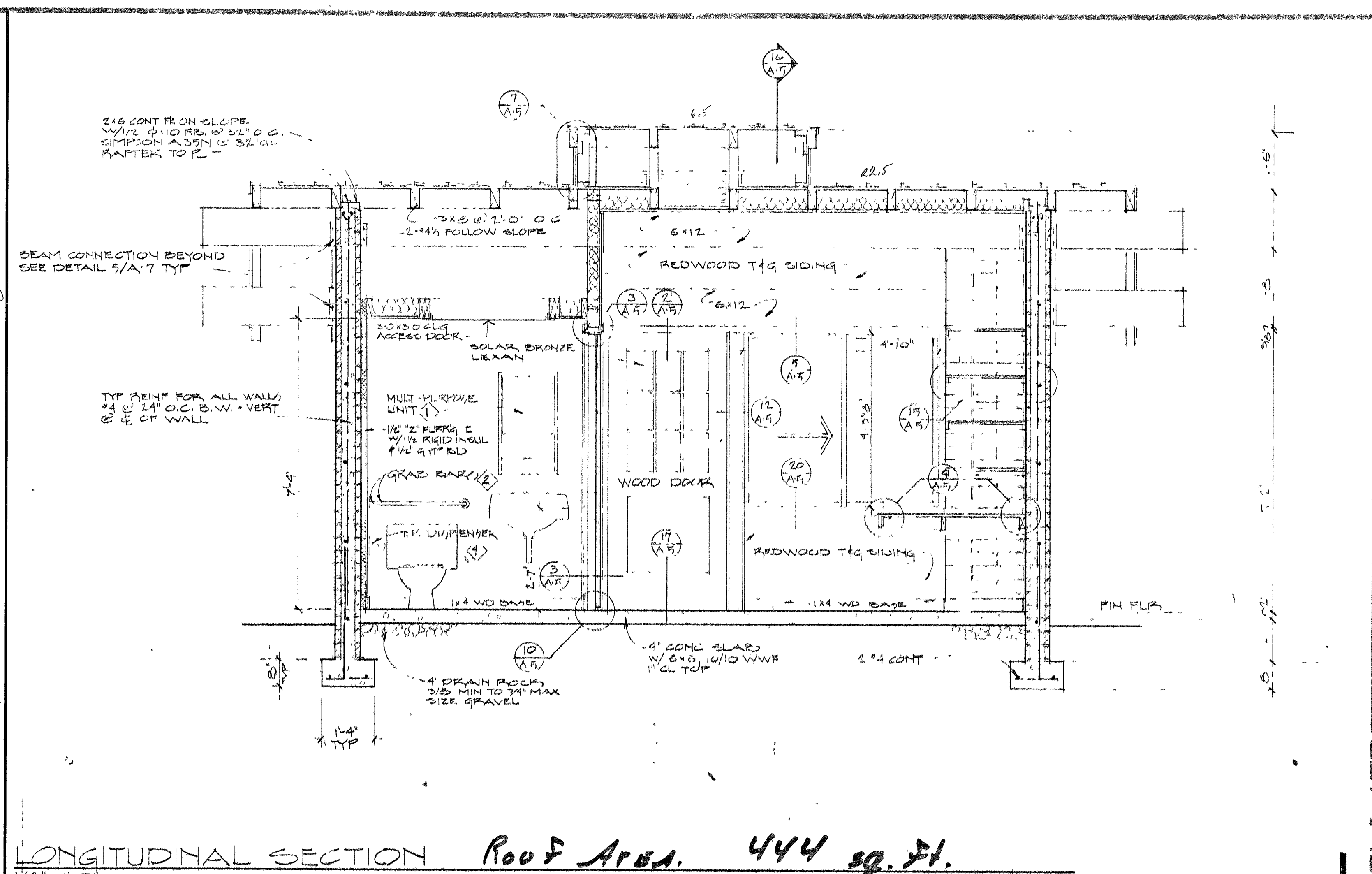


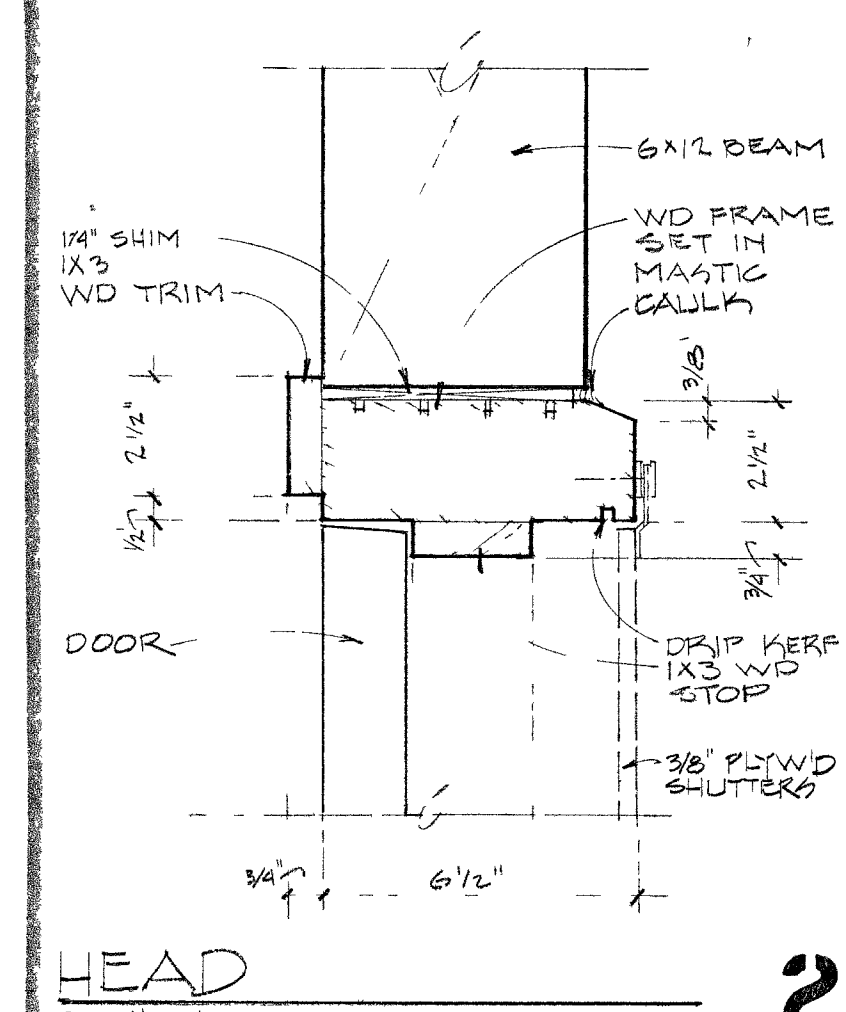
FLOOR PLAN  
1/4" = 1'-0"



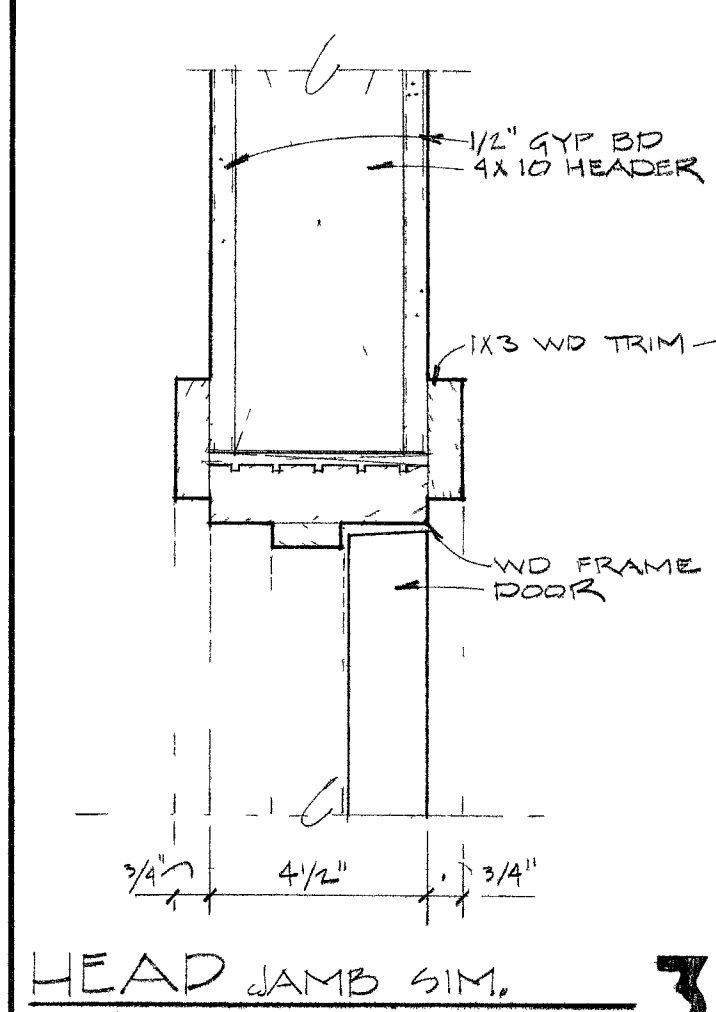
EAST ELEVATIONS  
1/2" = 1'-0"



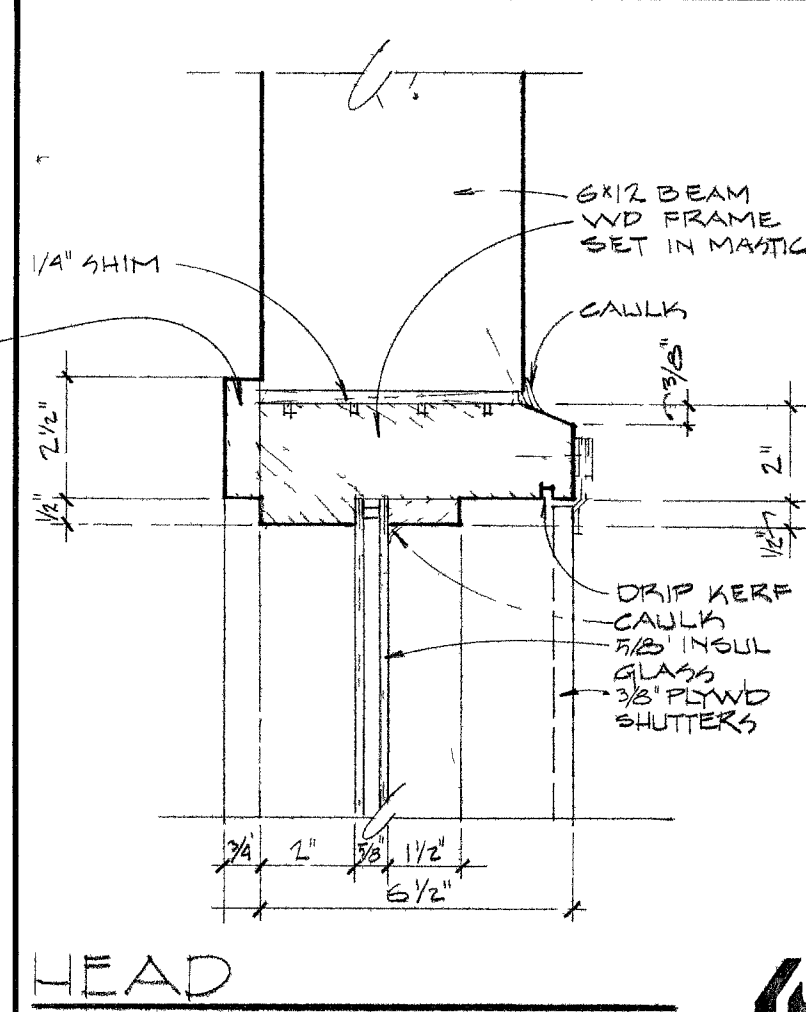
LONGITUDINAL SECTION  
1/2" = 1'-0" Roof Area. 444 sq. ft.



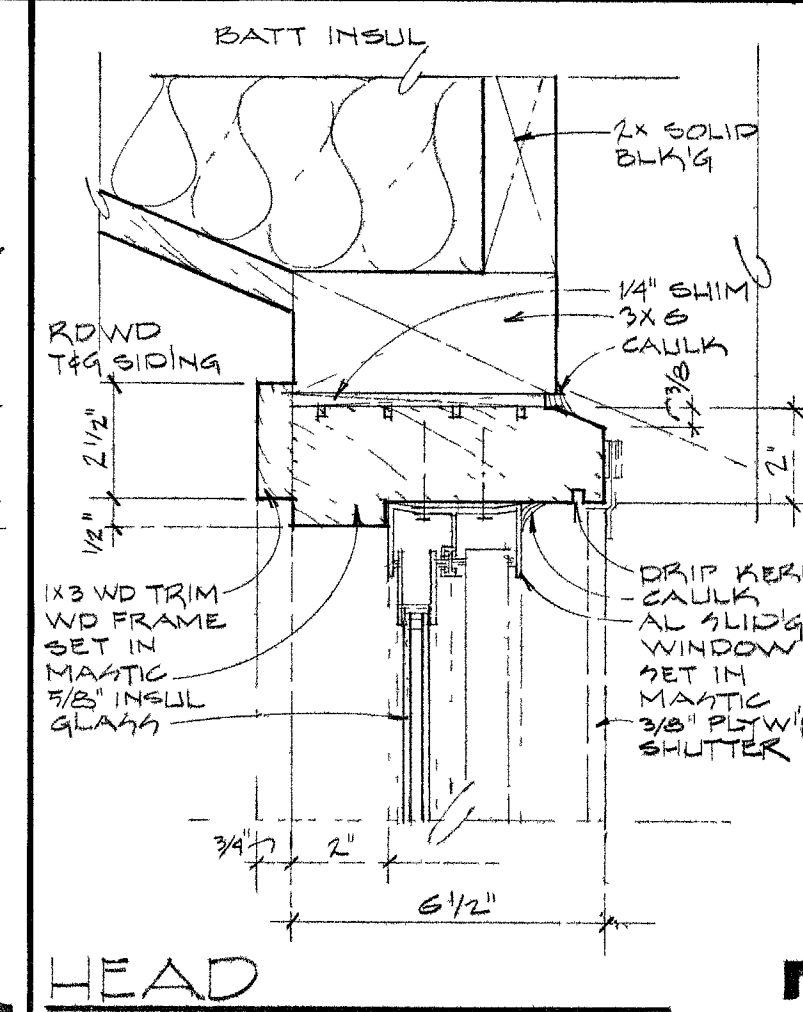
1 HEAD  
3/4" = 1'-0"



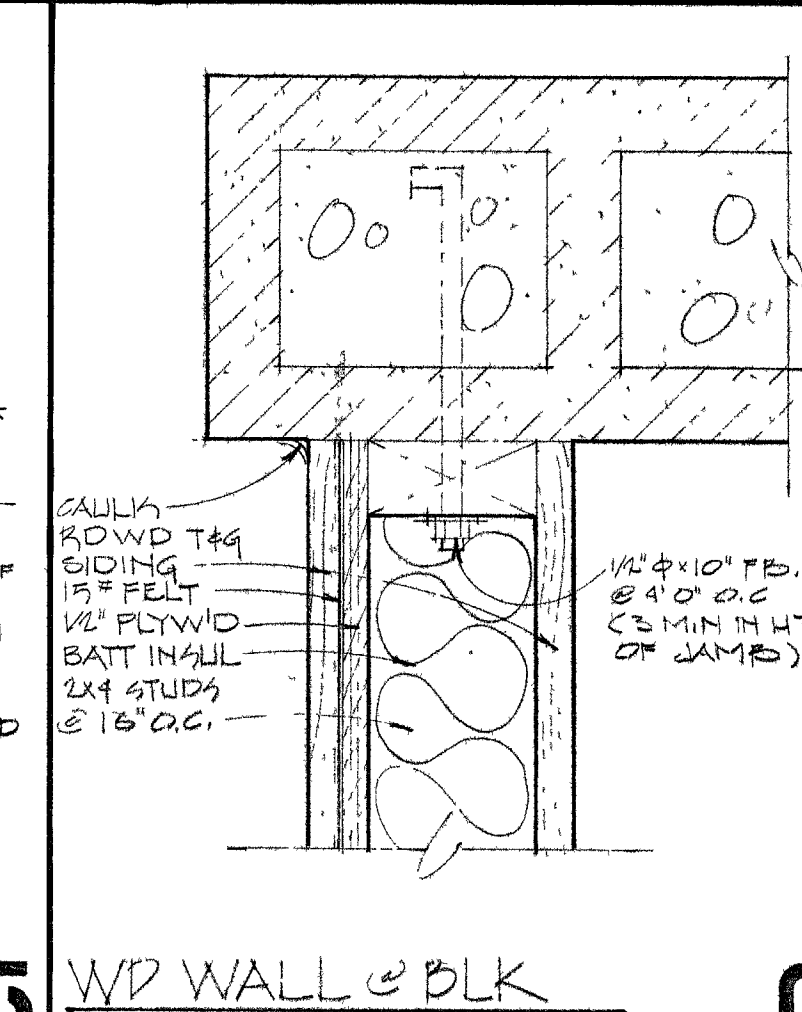
2 HEAD JAMB SIM.  
3/4" = 1'-0"



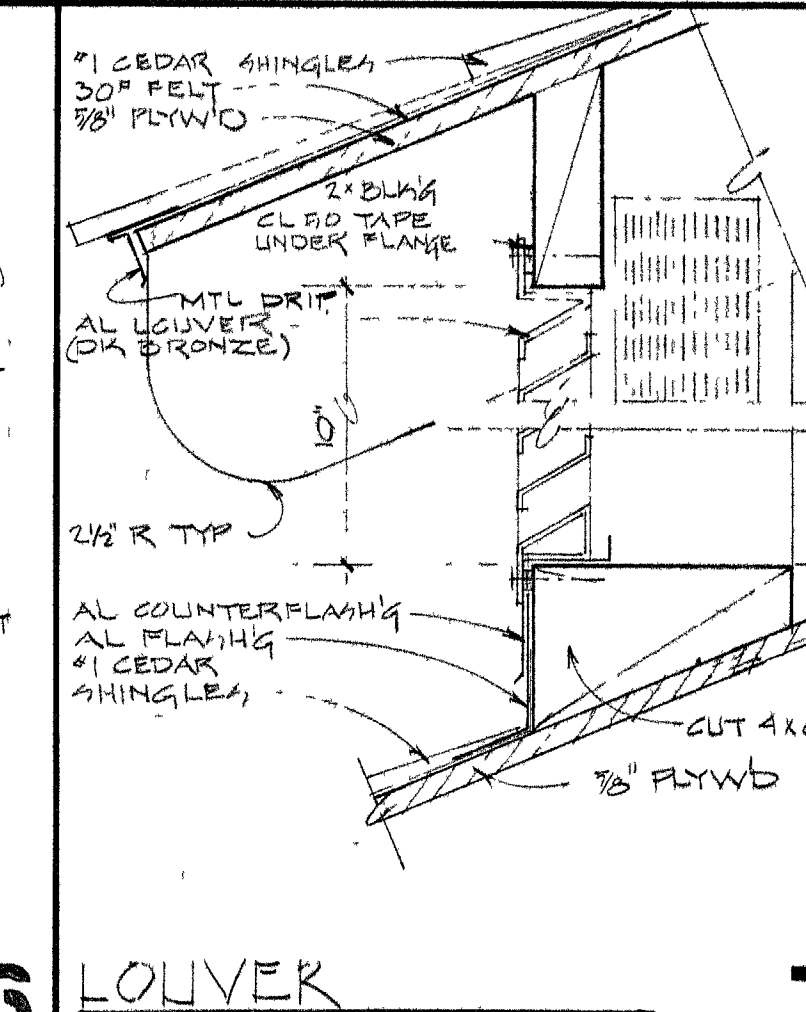
3 HEAD  
3/4" = 1'-0"



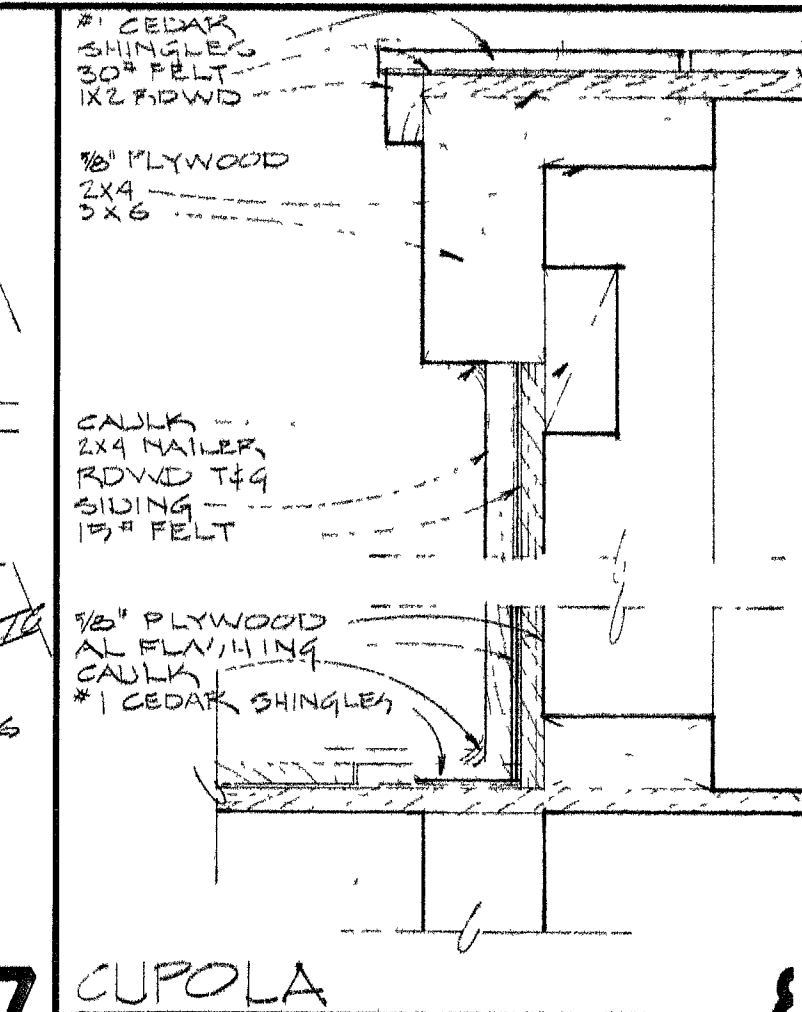
4 HEAD  
3/4" = 1'-0"



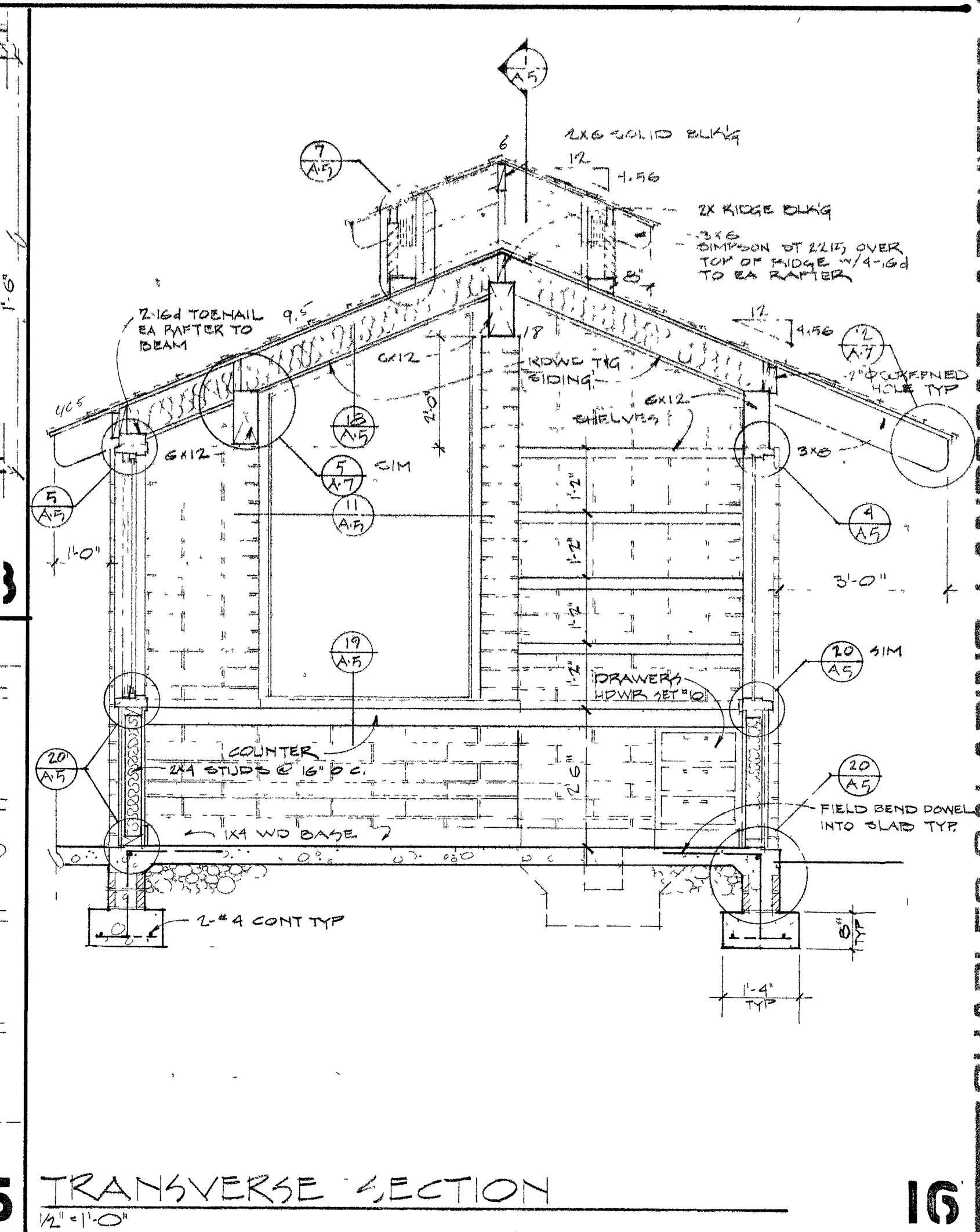
5 W/D WALL & BLK  
3/4" = 1'-0"



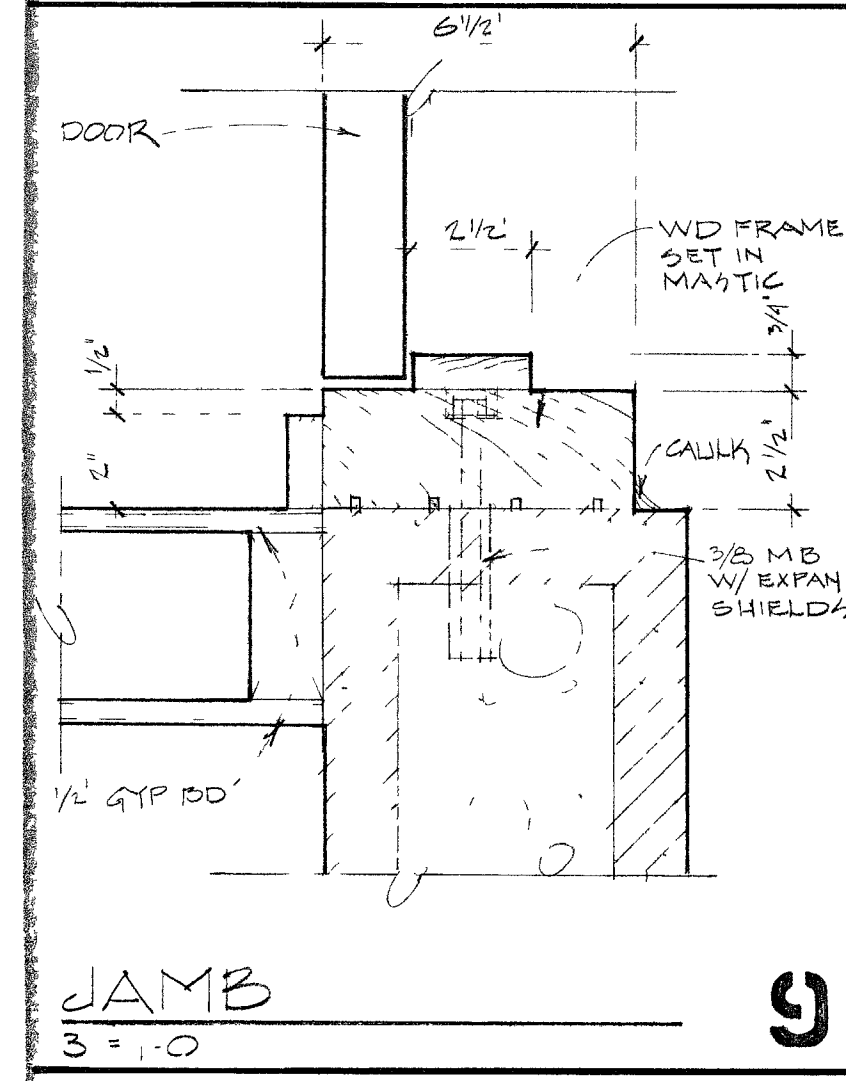
6 LOUVER  
3/4" = 1'-0"



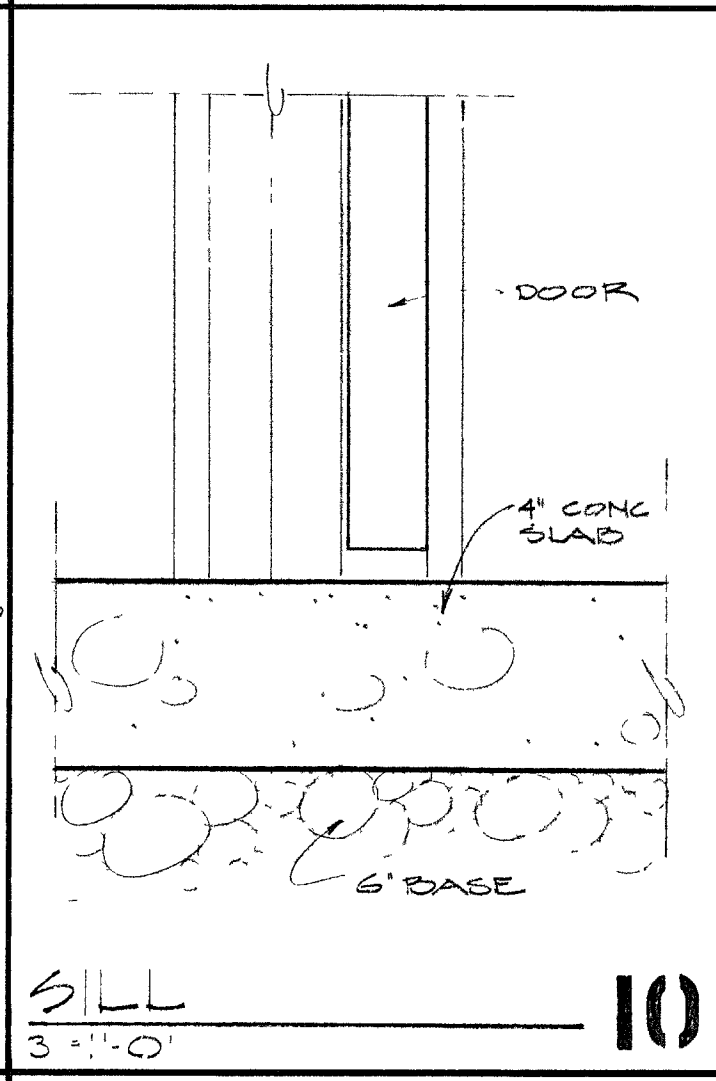
7 CUPOLA  
3/4" = 1'-0"



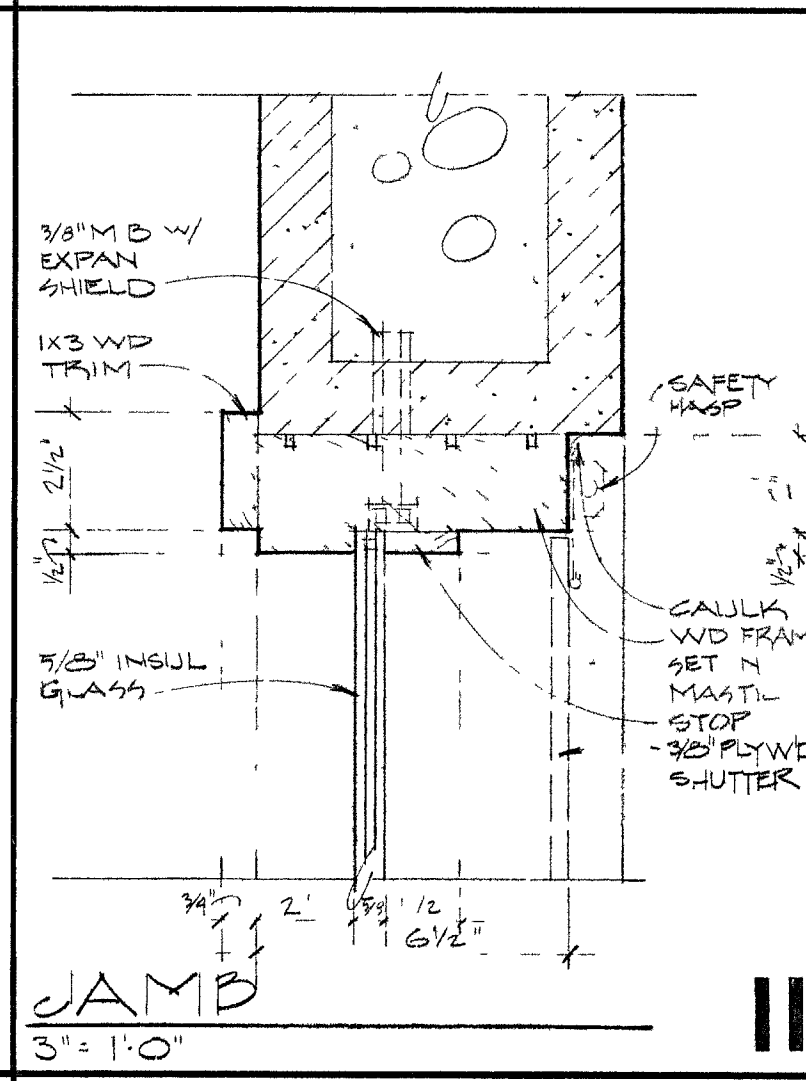
8 TRANSVERSE SECTION  
1/2" = 1'-0"



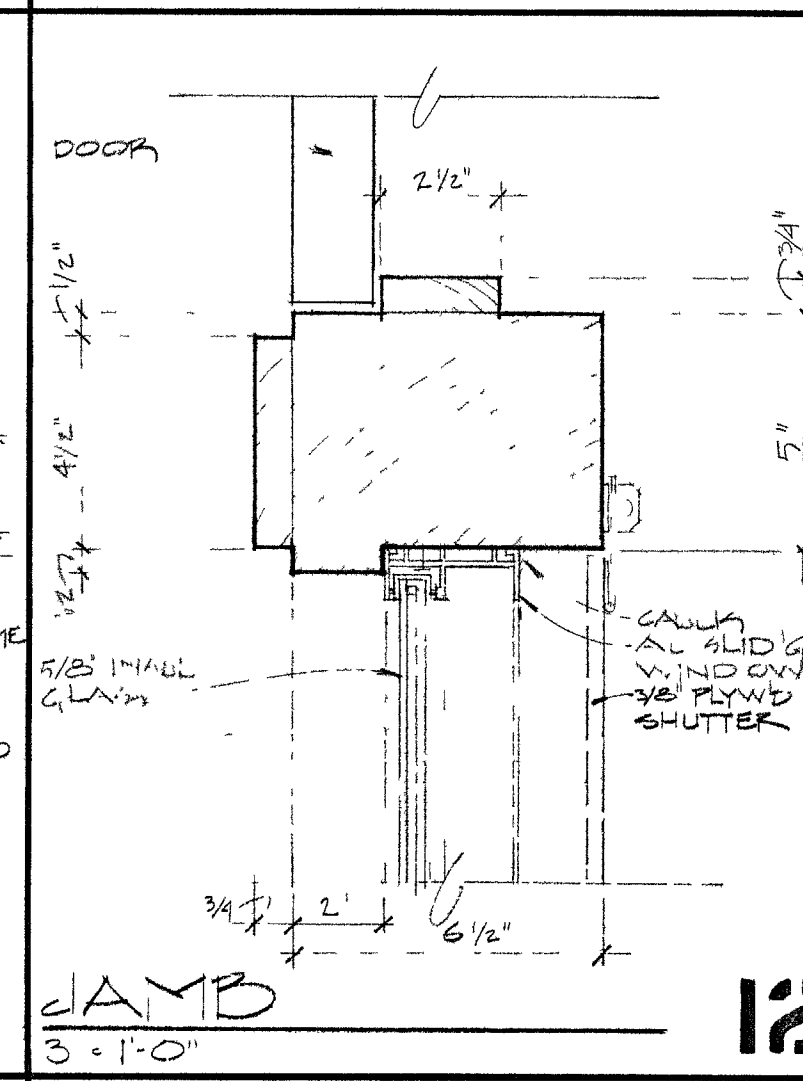
9 JAMB  
3/4" = 1'-0"



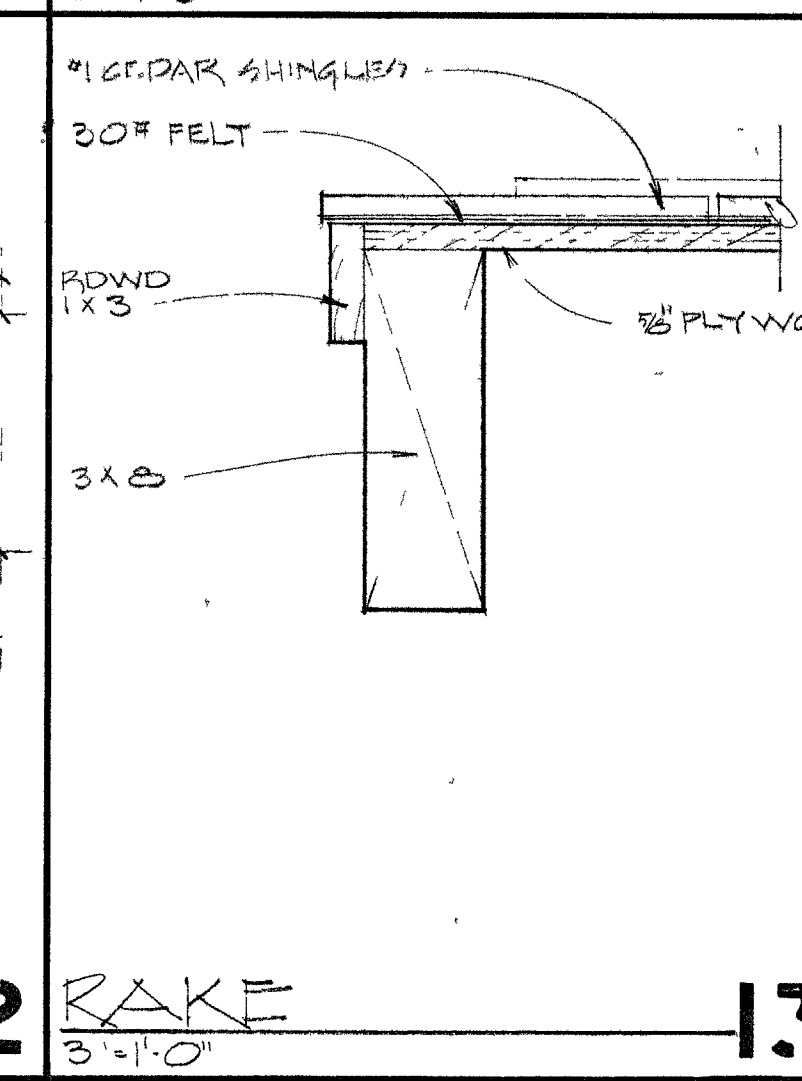
10 SILL  
3/4" = 1'-0"



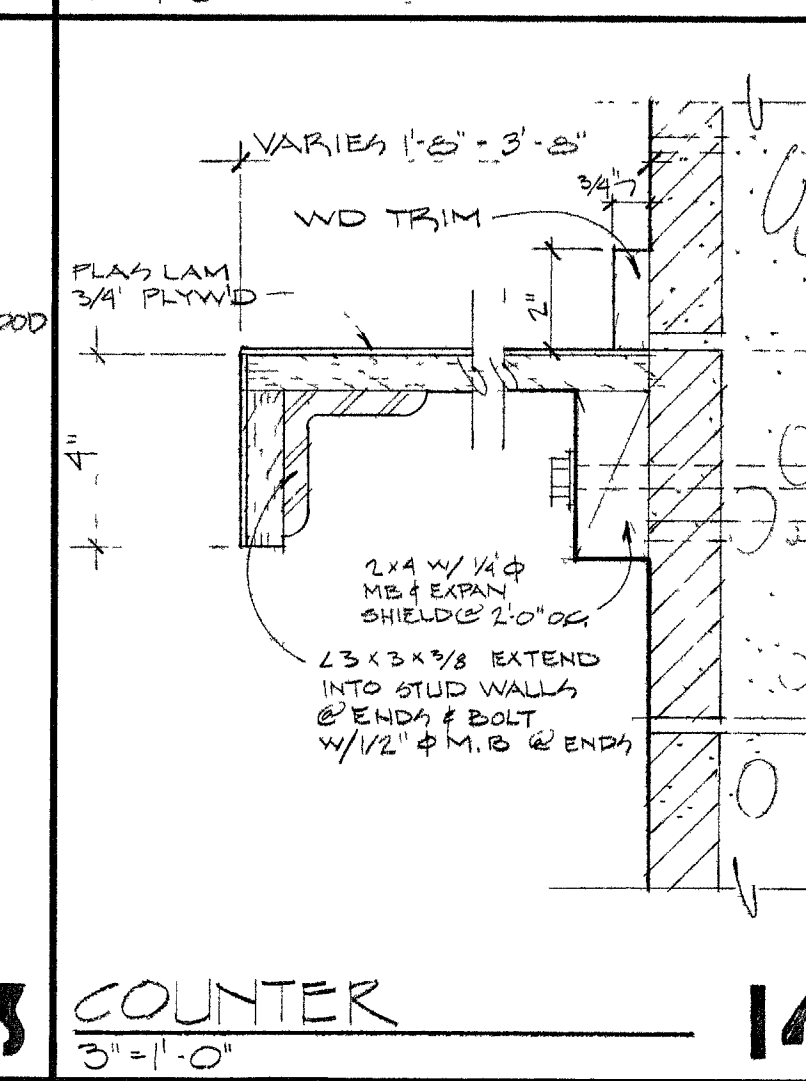
11 JAMB  
3/4" = 1'-0"



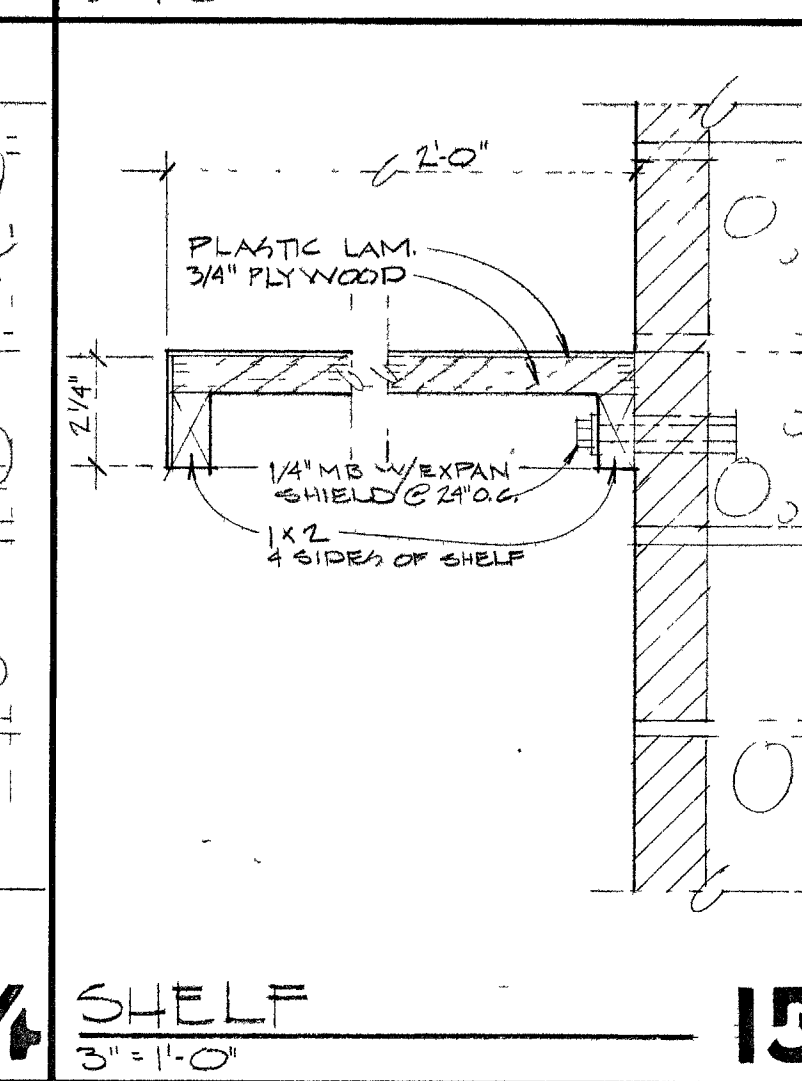
12 JAMB  
3/4" = 1'-0"



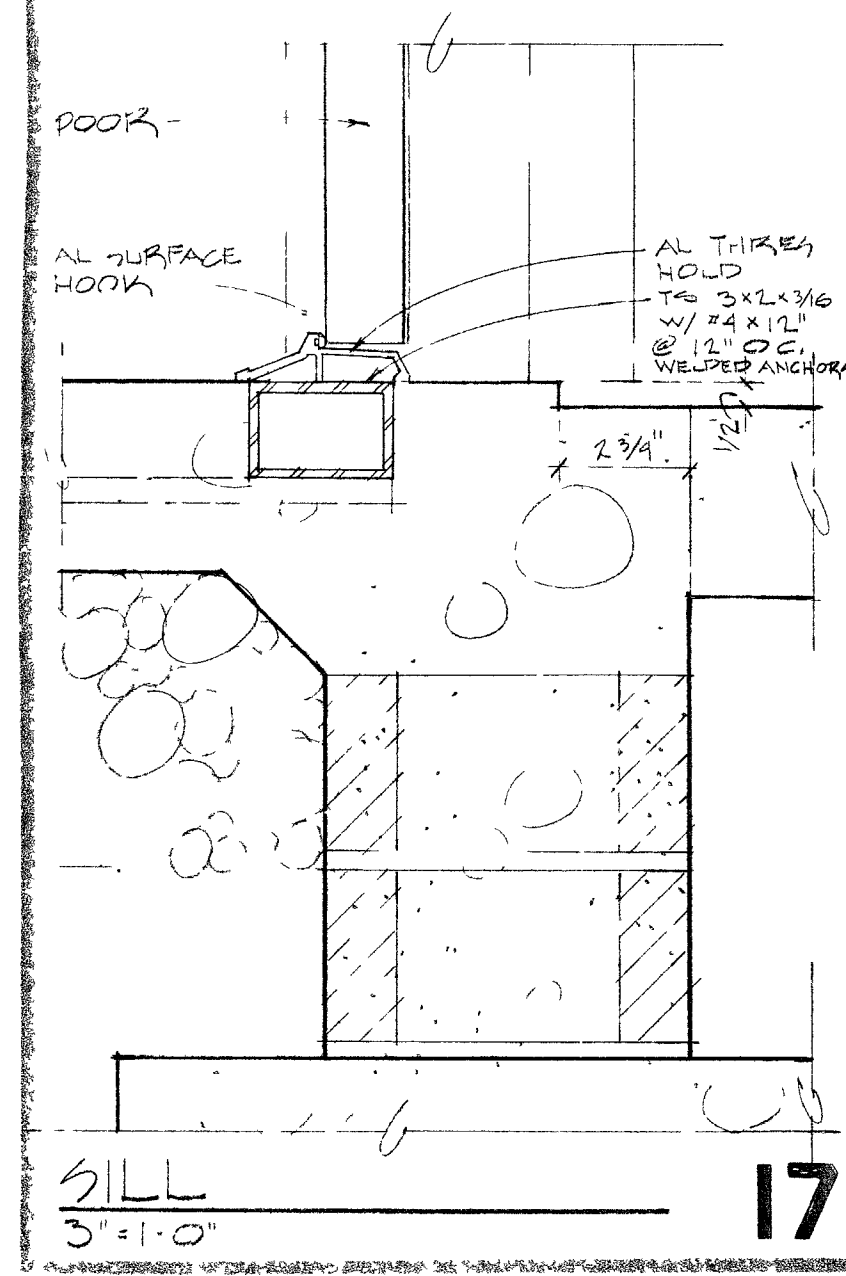
13 RAKE  
3/4" = 1'-0"



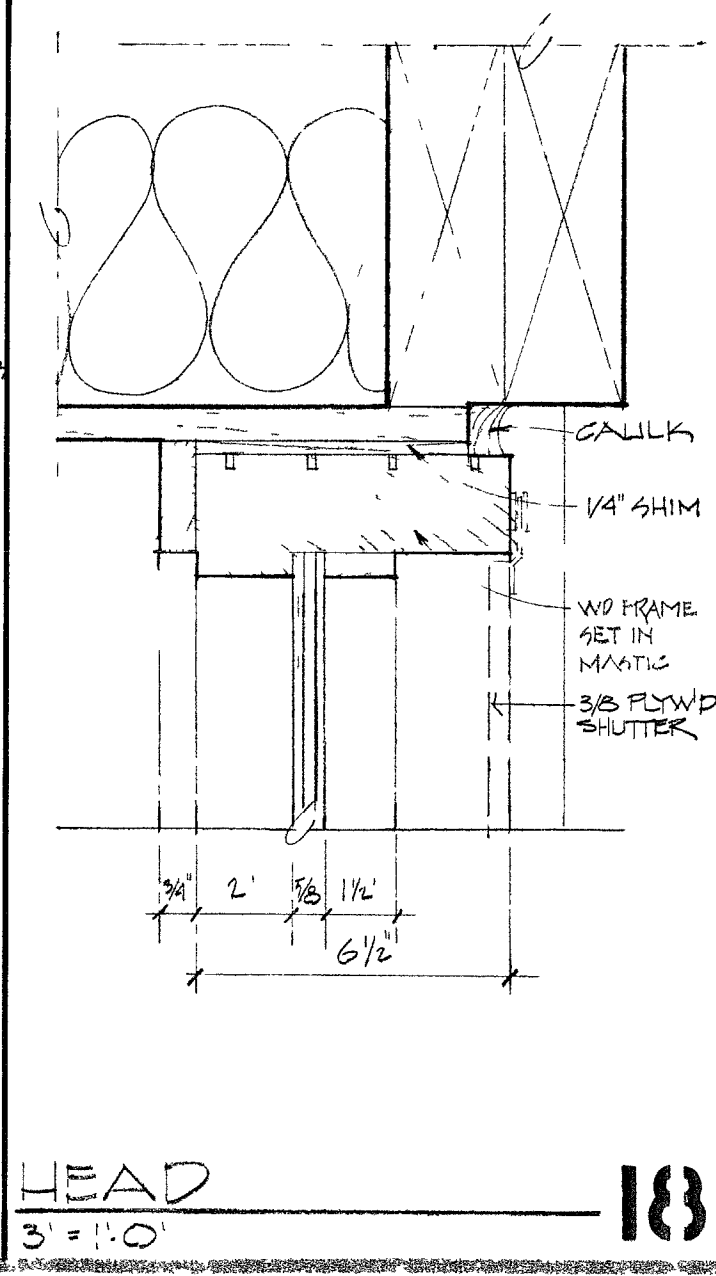
14 COUNTER  
3/4" = 1'-0"



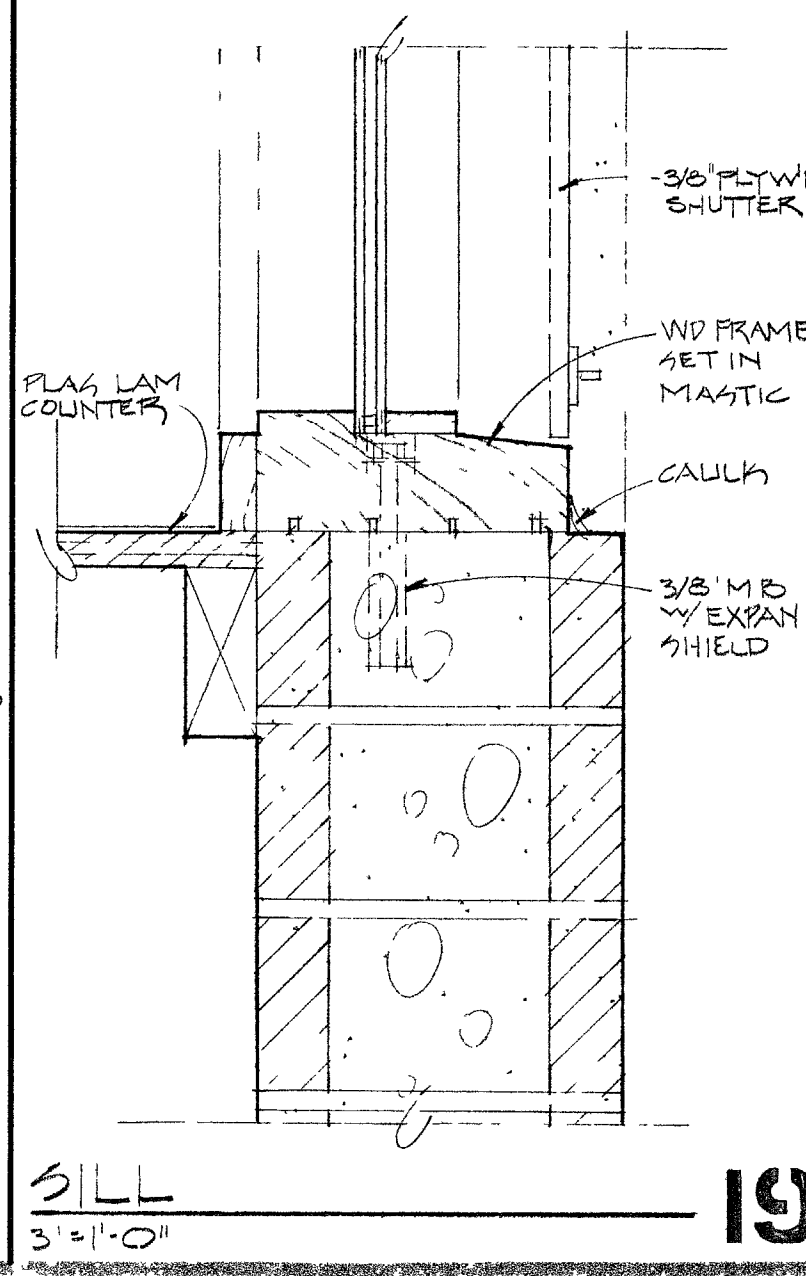
15 SHELF  
3/4" = 1'-0"



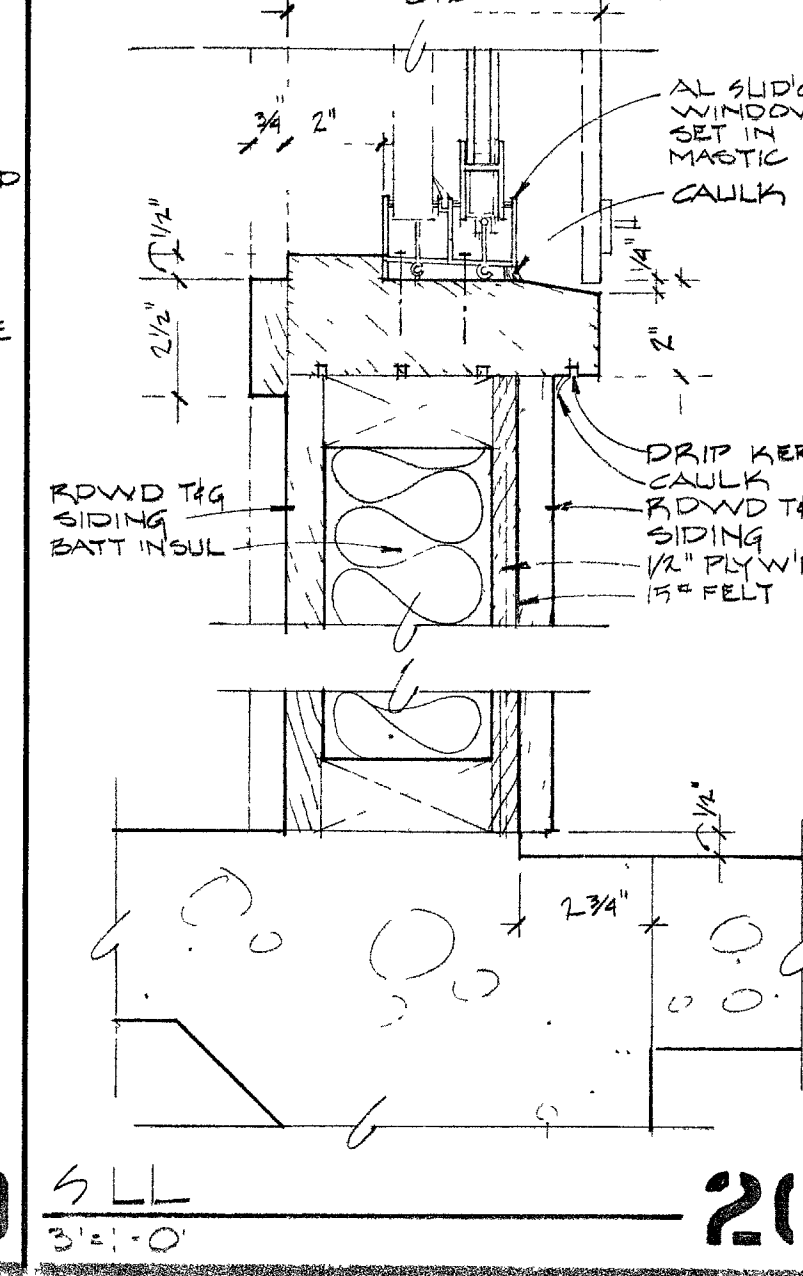
17 SILL  
3/4" = 1'-0"



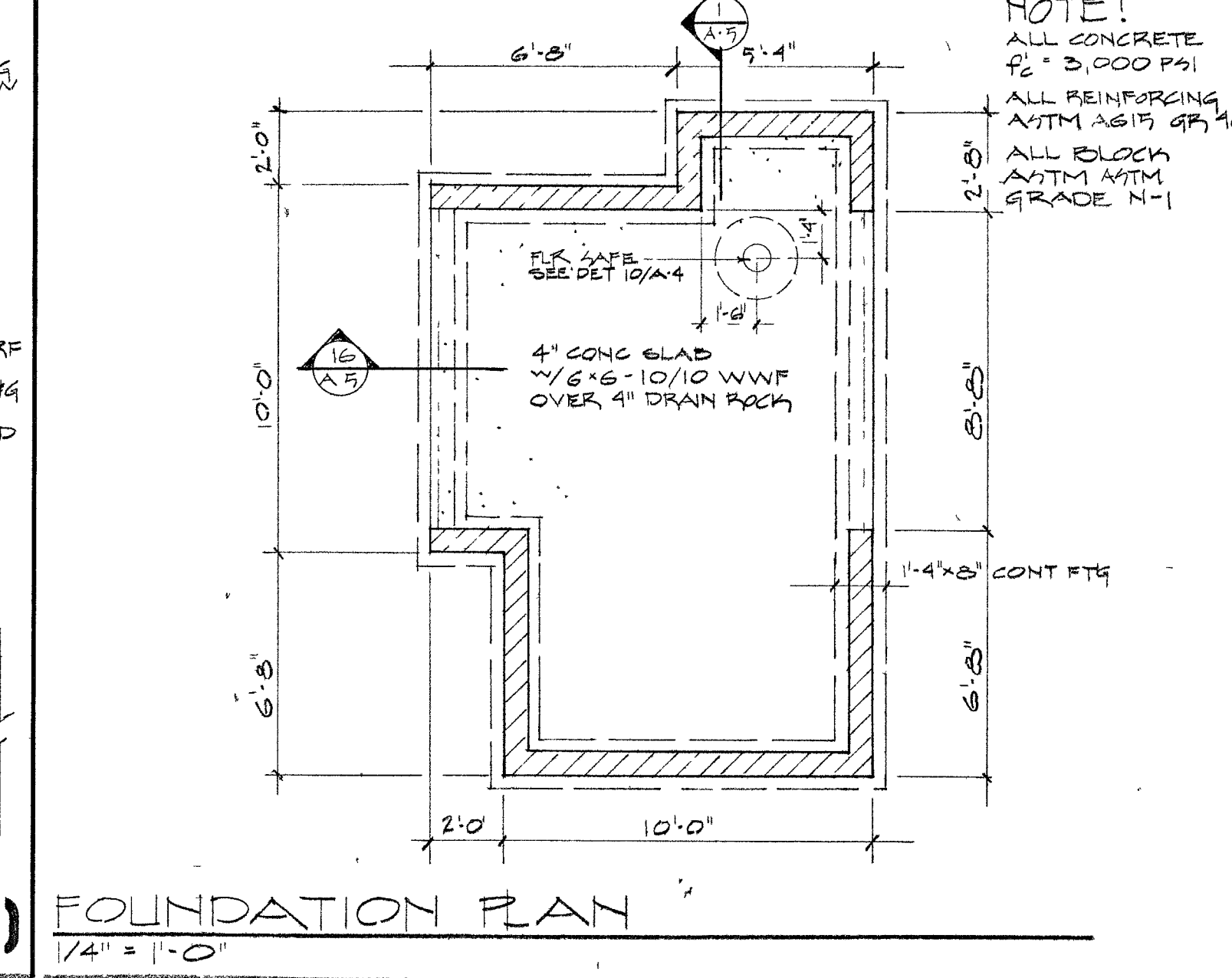
18 HEAD  
3/4" = 1'-0"



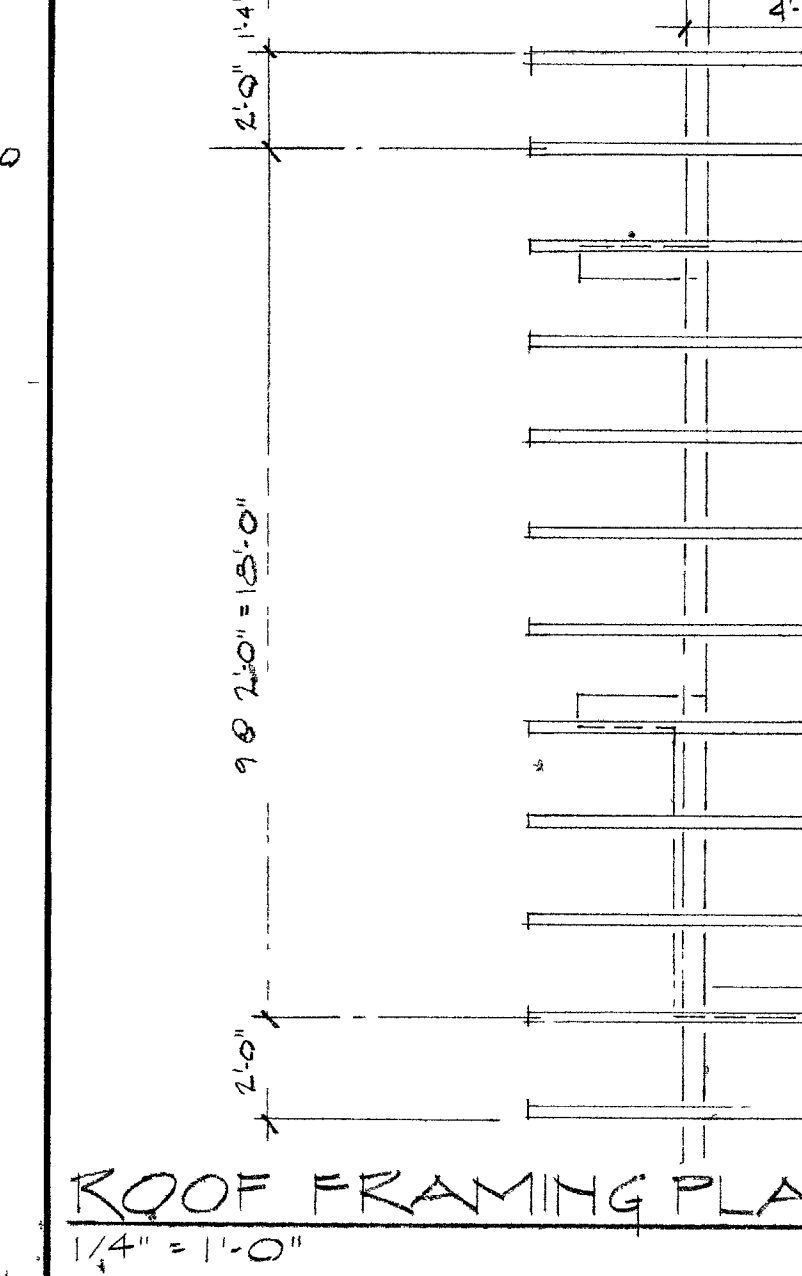
19 SILL  
3/4" = 1'-0"



20 SILL  
3/4" = 1'-0"



20 FOUNDATION PLAN  
1/4" = 1'-0"



20 ROOF FRAMING PLAN  
1/4" = 1'-0"

| FINISH NOTES       |            |
|--------------------|------------|
| SURFACE            | FINISH NR. |
| INTERIOR           | 1-7-8      |
| CONC. BLK.         | 1-7-8      |
| WOOD SIDING & TRIM | 1-7-8      |
| GYP. BO.           | 1-7-8      |
| METAL              | 1-7-8      |
| DOORS              | 1-7-8      |
| CONC.              | 1-7-8      |
| EXTERIOR           | 1-7-8      |
| CONC. BLK.         | 1-7-8      |
| WOOD SIDING & TRIM | 1-7-8      |
| METAL              | 1-7-8      |
| DOORS              | 1-7-8      |
| SHINGLES           | 1-7-8      |

CHARLES SALADINO-LANDSCAPE ARCHITECT-ASLA-LTD  
 CONTACT STATION  
 FLOYD LAMB STATE PARK "TULE SPRINGS"  
 NEVADA DIVISION OF STATE PARKS  
 1395 HASKELL ST. SUITE C-PENO, NEVADA-89509-702-786-2660  
 PHASE 1-B & 2  
 LAS VEGAS, NEVADA  
 VYAT & FERRARI LTD.  
 1000 HARBOR BLVD., SUITE 100  
 LOS ANGELES, CALIF. 90015  
 101370