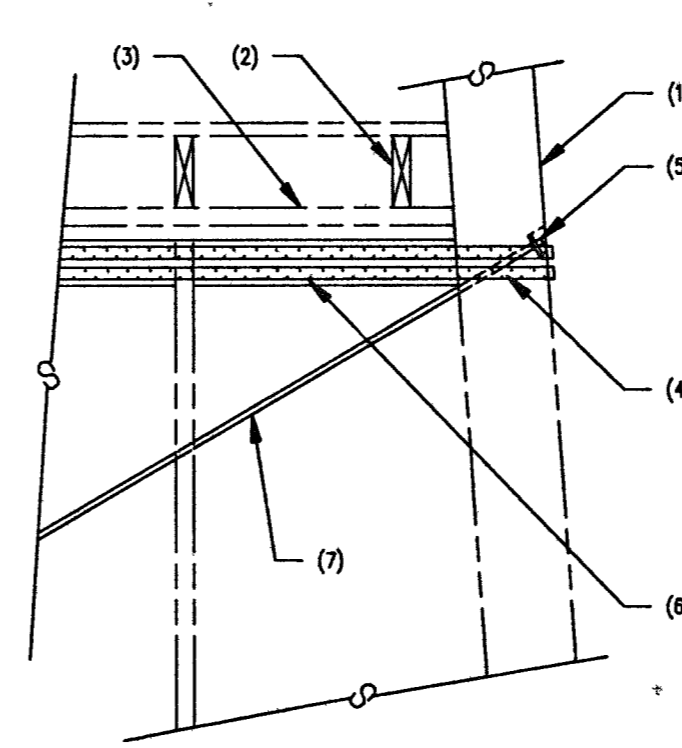


- NOTES:
- EXISTING WOOD STUD WALL.
  - REMOVE EXISTING PLANKS FLUSH WITH WALL.
  - NEW 2 x 12 PLANKING WITH 3 - 16d PER PLANK INTO SUPPORTS.
  - NEW DOUBLE 2 x 4 VERTICALS TO REPLACE EXISTING - FOR GUARD RAIL FRAMING SEE DETAIL 106.
  - 4 - 1/4" DIA. x 6" LONG LAG BOLTS.
  - EXISTING 6 x 8 PURLIN TO REMAIN.
  - NEW 2 x 6 LEDGER WITH 16d AT 12" O.C. - STAGGERED.
  - EXISTING FLOOR PLANKS - STRUCTURAL INTEGRITY TO BE FIELD VERIFIED DURING CONSTRUCTION.
- NOTE: CONTRACTOR SHALL REPLACE EXISTING INTERIOR FLOOR PLANKS IF DEEMED NECESSARY BY THE STRUCTURAL ENGINEER.

108 FRAMING AT EXISTING BALCONIES

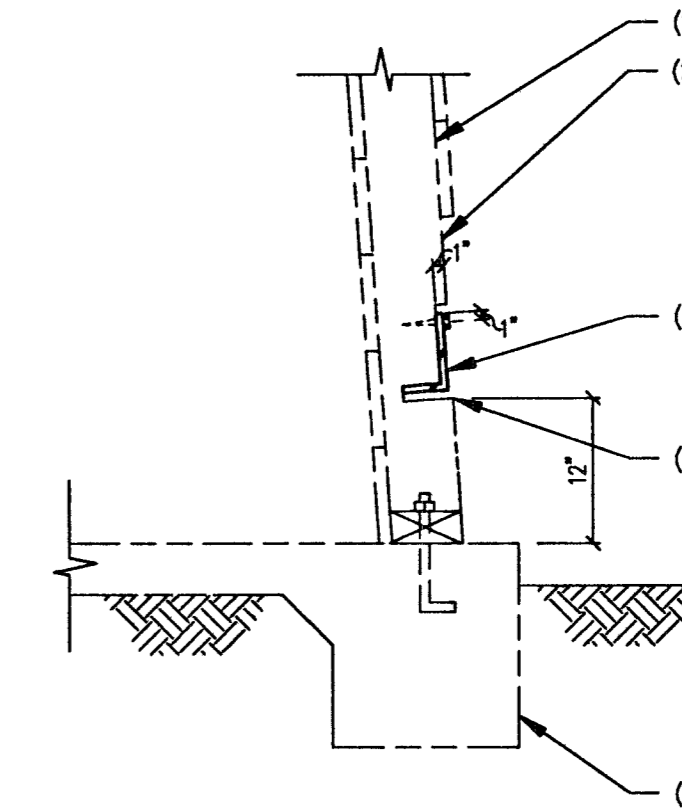
NO SCALE



- NOTES:
- EXISTING CORNER POST.
  - EXISTING FLOOR FRAMING.
  - DOUBLE TOP PLATE.
  - 2 - SIMPSON CS150 CONTINUOUS STRAPS WITH 13 - 10d NAILS INTO EACH BLOCK AND INTO CORNER POSTS.
  - DOUBLE STUDS - DING THREADS.
  - NEW 4 x 6 BLOCKING BETWEEN STUDS AT STRAPS.
  - CROSS BRACE - SEE ELEVATIONS.

104 CROSS BRACE ROD AT CORNER POST

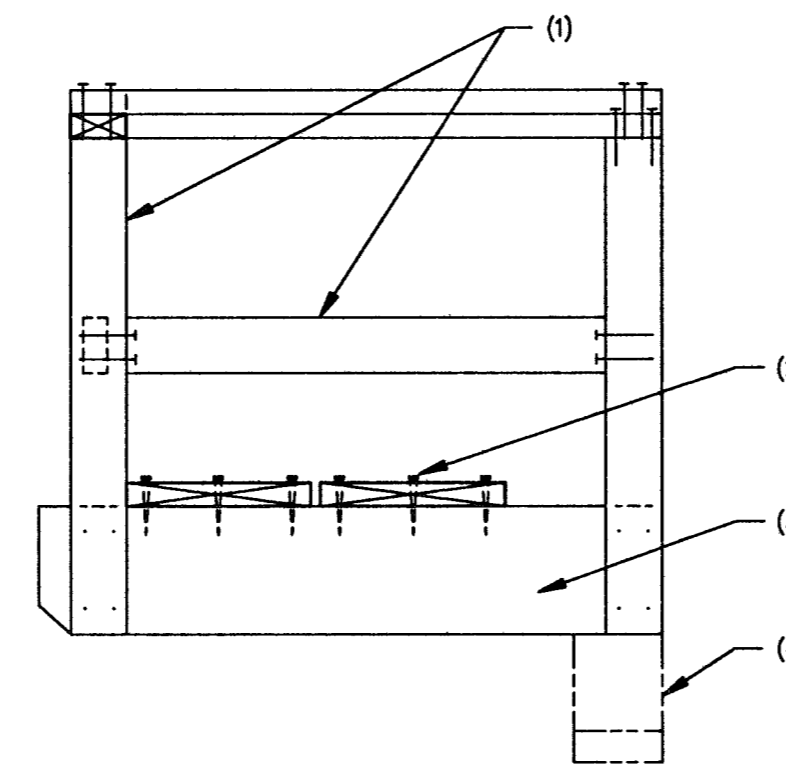
NO SCALE



- NOTES:
- EXISTING WOOD STUD WALL.
  - CAREFULLY REMOVE EXISTING EXTERIOR SIDING - SIDING SHALL BE PRESERVED FOR RE-USE - SEE PLAN NOTES AND ARCHITECTURAL SPECIFICATIONS.
  - NEW 6" x 3 1/2" x 5/16" (L.V.) STEEL ANGLE WITH #10 x 2" LONG WOOD SCREWS INTO EACH STUD.
  - SAWCUT AND NOTCH.
  - EXISTING FOOTING.

101 NEW STEEL ANGLE AT EXISTING WOOD STUD WALL

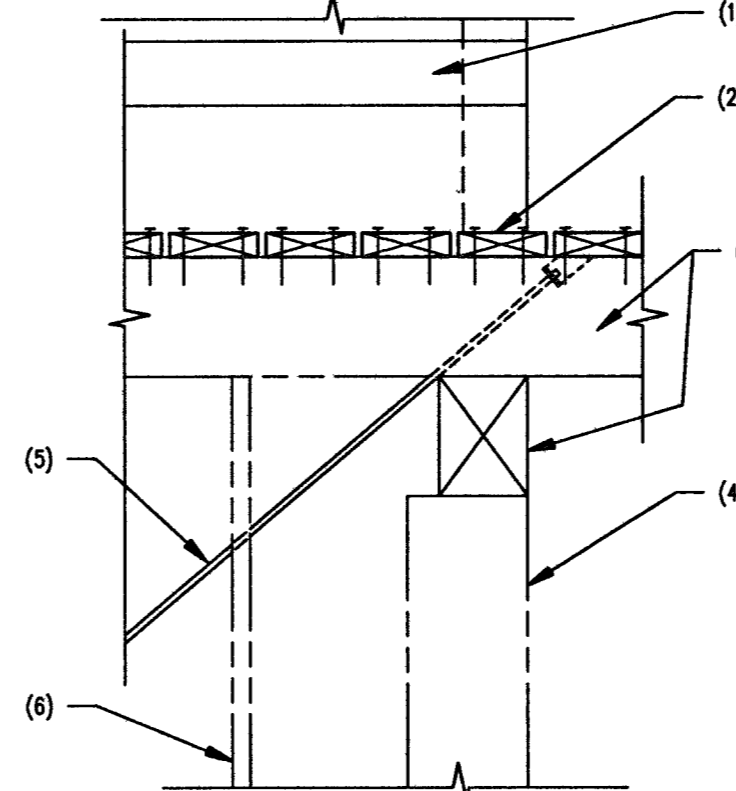
NO SCALE



- NOTES:
- NEW HANDRAIL FRAMING PER DETAILS 107 AND 108.
  - 3 - 1/4" DIA. x 4" LONG LAG BOLTS AT END PURLIN ONLY.
  - NEW WOOD PURLIN TO MATCH EXISTING.
  - EXISTING WOOD BEAM.

109 NEW FRAMING AT EXISTING BALCONY

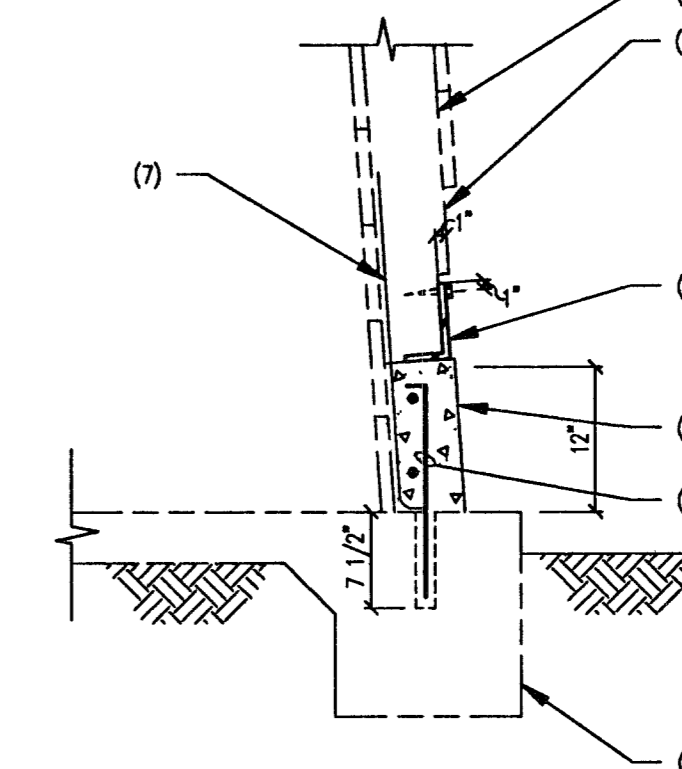
NO SCALE



- NOTES:
- THIRD LEVEL WALL.
  - NEW WALKWAY DECKING - SEE ELEVATION.
  - EXISTING 6 x 8 PURLINS.
  - EXISTING CORNER POST.
  - NEW 1/2" DIA. CROSS BRACE ROD.
  - EXISTING WOOD STUD.

105 CROSS BRACE ROD AT EXISTING WOOD PURLIN

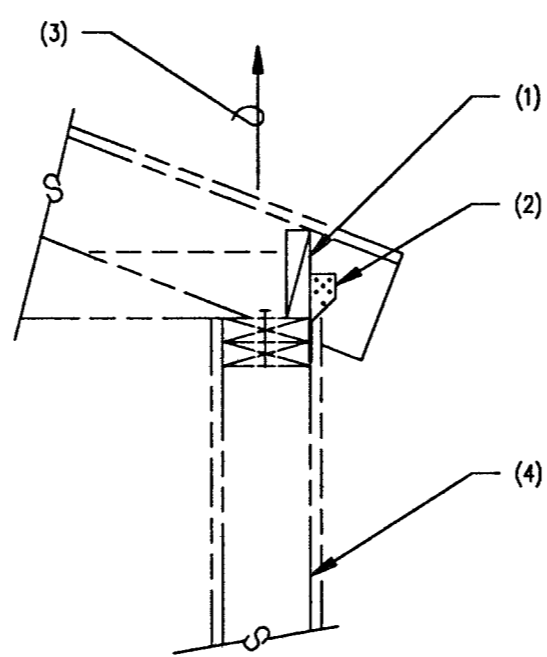
NO SCALE



- NOTES:
- EXISTING WOOD STUD WALL.
  - CAREFULLY REMOVE EXISTING EXTERIOR SIDING - SIDING SHALL BE PRESERVED FOR RE-USE - SEE PLAN NOTES AND ARCHITECTURAL SPECIFICATIONS.
  - NEW 6" x 3 1/2" x 5/16" (L.V.) STEEL ANGLE WITH #10 x 2" LONG WOOD SCREWS INTO EACH STUD.
  - NEW CONCRETE CURB - SEE ELEVATIONS.
  - DOWELS EMBEDDED IN ADHESIVE CARTRIDGE - SEE ELEVATIONS.
  - EXISTING FOOTING.
  - NEW VISQUEEN MEMBRANE TO PROTECT EXISTING STUDS AND INTERIOR SIDING.

102 NEW STEEL ANGLE AT CONCRETE CURB

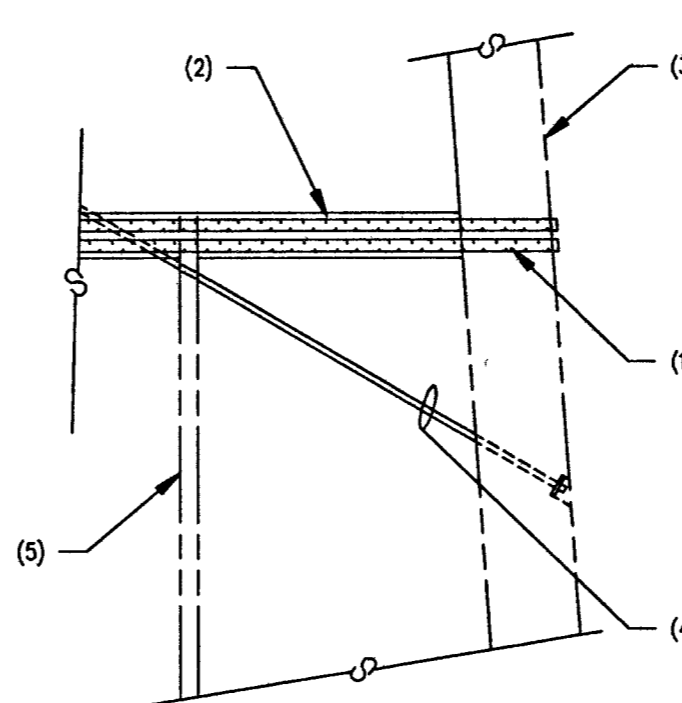
NO SCALE



- NOTES:
- NEW 2x BLOCKING WITH 3 - 16d TOENAILED.
  - NEW SIMPSON H5 ANCHOR AT RAFTERS.
  - EXISTING ROOF ASSEMBLY TO BE REMOVED AND REPLACED AFTER WATER TANK AND PIGEON DROPPINGS ARE REMOVED.
  - EXISTING WOOD STUD WALL TO REMAIN.

110 RE-ATTACHMENT CONNECTION AT EXISTING POST

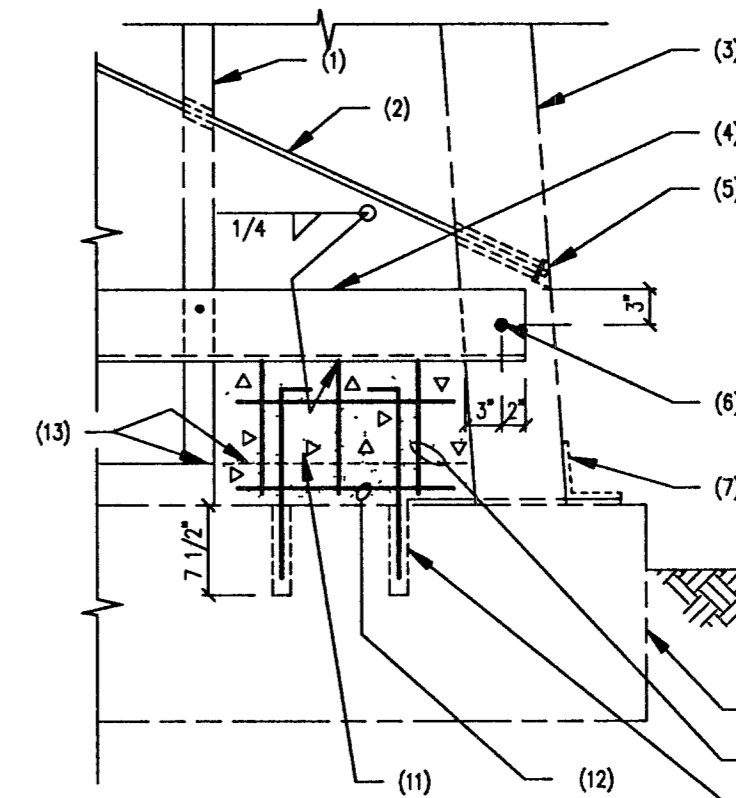
NO SCALE



- NOTES:
- 2 - SIMPSON CS150 CONTINUOUS STRAPS WITH 13 - 10d NAILS INTO EACH BLOCK AND INTO CORNER POSTS.
  - 4 x 6 BLOCKING AT STRAPS.
  - CORNER POST.
  - CROSS BRACE ROD - SEE ELEVATIONS.
  - EXISTING WOOD STUD.

106 CROSS BRACE ROD AT CORNER POST

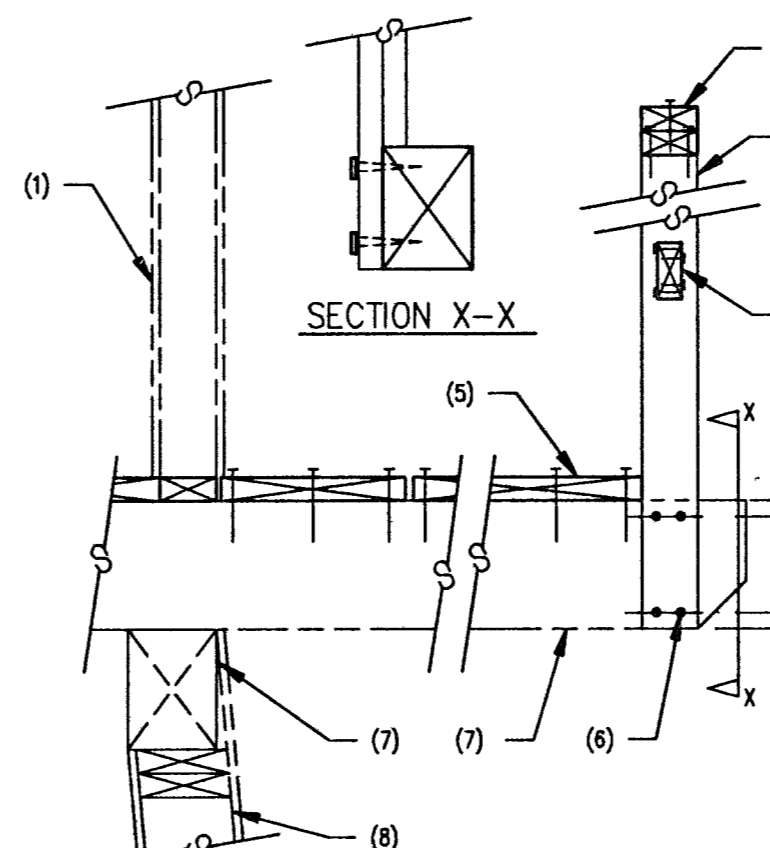
NO SCALE



- NOTES:
- EXISTING WOOD STUD.
  - ROD CROSS BRACE.
  - EXISTING 8 x 8 POST.
  - STEEL ANGLE.
  - DOUBLE NUTS - DING THREADS.
  - 1" THRU BOLT.
  - REMOVE EXISTING ANGLES EACH SIDE OF POST.
  - EXISTING CONCRETE FOUNDATION.
  - 3 - #4 x 11" DOWELS AT 4" O.C.
  - 2 - #5 DOWELS - SEE ELEVATION.
  - NEW CONCRETE CURB - SEE ELEVATIONS.
  - 2 - #6 TOP AND BOTTOM.
  - SAWCUT AND REMOVE BOTTOM PLATE BELOW CONCRETE.

103 CROSS BRACE AND STEEL ANGLE AT CONCRETE CURB

NO SCALE



- NOTES:
- EXISTING WOOD STUD WALL TO REMAIN.
  - NEW DOUBLE 2 x 4 TOP RAIL WITH 16d AT 24" O.C. AND 2 - 16d INTO DOUBLE STUDS.
  - NEW DOUBLE 2 x 4 VERTICAL SUPPORTS TO REPLACE EXISTING.
  - NEW 2 x 4 RAIL WITH 4 - 16d INTO EACH PURLIN.
  - NEW 2 x 12 PLANKS WITH 3 - 16d INTO EACH PURLIN.
  - 4 - 1/4" x 5" LONG LAG BOLTS.
  - EXISTING 6 x 8 PURLINS TO REMAIN.
  - EXISTING WOOD STUD WALL.

107 NEW FRAMING AT EXISTING BALCONY

NO SCALE

DETAILS 101 THRU 110

FOR ADDITIONAL INFORMATION SHOWN BUT NOT NOTED, SEE INTERPRETATION OF DRAWINGS, SHEET S1

**JAS ENGINEERS**

844 EAST SAHARA  
LAS VEGAS, NEVADA 89104  
(702) 735-7895

Patrick J. Klank AIA  
Wayne P. Schreiner AIA  
Thomas M. Silva AIA

**HSA Architects, Inc.**  
ARCHITECTURE PLANNING INTERIORS  
1531 West Oakey Boulevard, Las Vegas, Nevada 89102  
(702) 383-0077 FAX (702) 383-0077

Foundation Details  
FLOYD LAMB STATE PARK  
Verify all Dimensions and Conditions at the Site

Sheet Title  
Job Title  
Job No. 10902.0  
Date 7/1/94  
Drawn By ELB.  
Check K.M.B.  
Sheet S3  
of 3

16:305