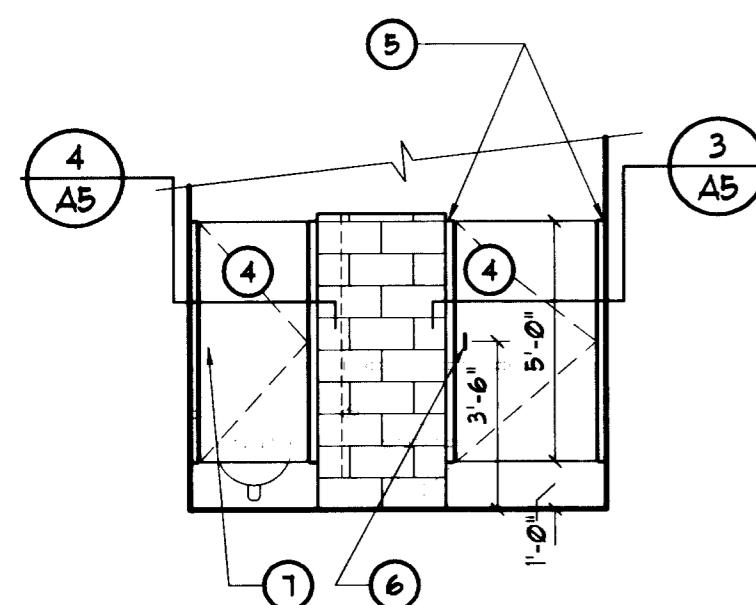
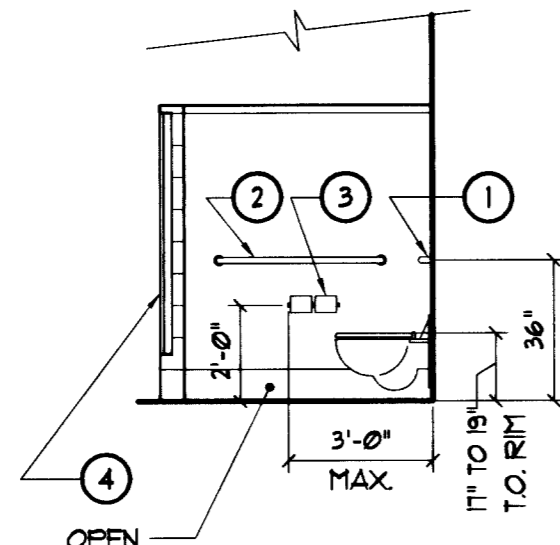


**Keynotes:** (MANUFACTURER'S FOR REFERENCE ONLY - SEE SPECIFICATIONS)

- 1 GRAB BAR "BOBRICK" B-6206 X 36" (MOUNT • 36" AFF.)
- 2 GRAB BAR "BOBRICK" B-6206 X 42" (MOUNT • 36" AFF.)
- 3 TOILET PAPER DISPENSER "ROYCE ROLLS RINGER COMPANY" TP-2 (2 ROLL) (MOUNT • 2'-0" AFF.)
- 4 STEEL DOORS - SEE DOOR TYPES.
- 5 PROVIDE STEEL CAP AT TOP AND BOTTOM OF TUBE STL. JAMBS. PROVIDE FULL WELD. GRIND SMOOTH AND ROUND EDGES. TYP. • ALL WELDS.
- 6 PROVIDE STEEL PULL ON EACH SIDE OF DOOR (TYP. UNO.) SEE DETAIL 1/A5 TYP.
- 1 PROVIDE STEEL PULL ON INSIDE OF DOOR ONLY - REF. DETAIL 1/A5 TYP.



1 **Womens 101**  
Scale: 1/4" = 1'-0"



2 **Womens 101**  
Scale: 1/4" = 1'-0"

NOTE: MENS RM. 102 OPPOSITE HAND OF WOMENS RM. 101 - 511.

**Room Finish Schedule**

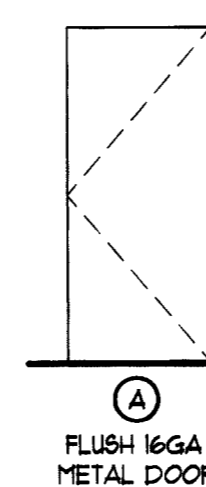
| Room No. | Room Name      | Floor | Base | Walls    |          |          |          | Ceiling        | Cig. Hgt.       | Finishes & Materials  |
|----------|----------------|-------|------|----------|----------|----------|----------|----------------|-----------------|---|
|          |                |       |      | North    | East     | South    | West     |                |                 |   |
| 101      | Womens         | CC-1  |      | Color #1 | Color #1 | Color #1 | Color #1 | Color #1       | OPEN TO STRUCT. | CC-1 = CONCRETE SEALER - SEE SPECS<br>GUB = GYPSUM WALL BOARD<br>COLOR #1 - ICI #129 SEED PEARL<br>COLOR #2 - ICI #14 ROUGH HELIX<br>COLOR #3 - ICI #10 SILK<br>COLOR #4 - ICI #129 SEED PEARL<br>SEE SPECIFICATIONS FOR ADDITIONAL APPROVED PAINT MANUFACTURER'S |
| 102      | Mens           | CC-1  |      | Color #1 | Color #1 | Color #1 | Color #1 | Color #1       | OPEN TO STRUCT. |   |
| 103      | Plumbing Chase | CC-1  |      | Color #1 | Color #1 | Color #1 | Color #1 | GUB / Color #1 | 8'-0" AFF.      |   |

**Sign Schedule**

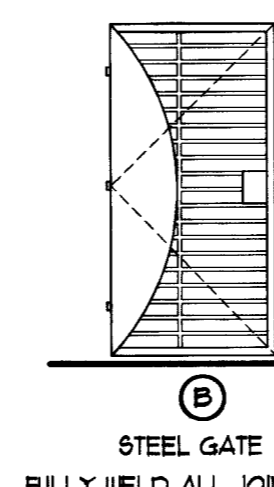
| No. | Building | Location        | Text  | Braille Text | Pictogram Symbol of Access | Pictogram Men | Pictogram Women | Pictogram Men and Women | Type |           | Colors |           | Comments & Notes  |
|-----|----------|-----------------|-------|--------------|----------------------------|---------------|-----------------|-------------------------|------|-----------|--------|-----------|---|
|     |          |                 |       |              |                            |               |                 |                         | Sign | Mtg. Fore | Back   | Back      |   |
| 1   |          | Outside DR-101A | WOMEN | X            | X                          |               | X               |                         | 2/A6 | 3/A6      | ALUM.  | SEE NOTES | BACKGROUND COLOR TO BE SELECTED BY ARCHITECT PER MANUFACTURER'S STANDARD COLOR PALETTE. |
| 2   |          | Outside DR-102A | MEN   | X            | X                          | X             |                 |                         | 2/A6 | 3/A6      | ALUM.  | SEE NOTES | BACKGROUND COLOR TO BE SELECTED BY ARCHITECT PER MANUFACTURER'S STANDARD COLOR PALETTE. |

**Door Schedule**

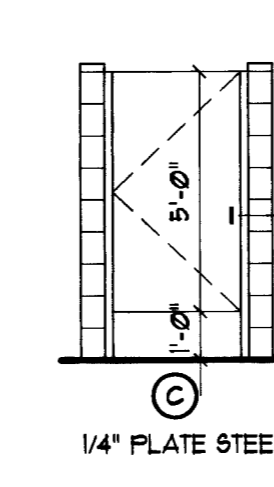
| Door No. | Size                         | Rating | Type | Material   | Finish   | Hardware |                  | Frame | Details |          |          |      |      |      |      |
|----------|------------------------------|--------|------|------------|----------|----------|------------------|-------|---------|----------|----------|------|------|------|------|
|          |                              |        |      |            |          | No.      | Additional Notes |       | Rating  | Material | Finish   | Head | Jamb | Jamb | Sill |
| 101A     | 3'-5" X 6'-10" X 2" F.V.     |        | B    | TUBE STEEL | Color #2 |          | 2                |       |         | STL      | Color #2 | 1/A5 | 2/A5 | 5/A5 | 4/A4 |
| 101B     | 2'-11" X 5'-0" X 1 3/4" F.V. |        | C    | STL        | Color #2 |          | 3                |       |         | STL      | Color #2 |      | 3/A5 | 3/A5 |      |
| 101C     | 2'-3" X 5'-0" X 1 3/4" F.V.  |        | C    | STL        | Color #2 |          | 3                |       |         | STL      | Color #2 |      | 4/A5 | 4/A5 |      |
| 102A     | 3'-5" X 6'-10" X 2" F.V.     |        | B    | TUBE STEEL | Color #2 |          | 2                |       |         | STL      | Color #2 | 1/A5 | 2/A5 | 5/A5 | 4/A4 |
| 102B     | 2'-11" X 5'-0" X 1 3/4" F.V. |        | C    | STL        | Color #2 |          | 3                |       |         | STL      | Color #2 |      | 3/A5 | 3/A5 |      |
| 103A     | 3'-0" X 1'-0" X 1 3/4"       |        | A    | H#1        | Color #2 |          | 1                |       |         | H#1      | Color #2 | 6/A5 | 6/A5 | 511  | 3/A4 |



A FLUSH 16GA METAL DOOR



B STEEL GATE  
FULLY WELD ALL JOINTS, MITER CORNERS OF 2" X 2" T.B. GROUND ALL WELDS SMOOTH. PRIME AND PAINT. SEE DETAIL 8/A5

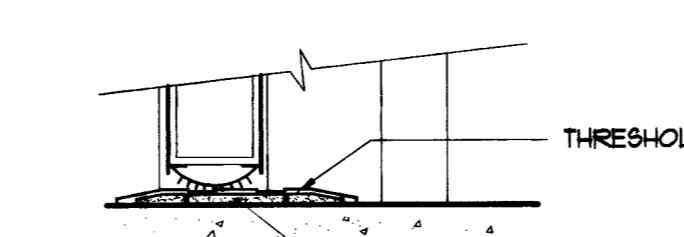


C 1/4" PLATE STEEL  
EDGES TO BE RADIUS 1/16" AND GROUND SMOOTH

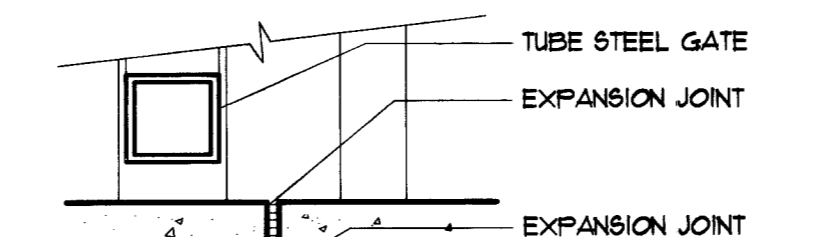
| HDWR SET # | ITEM  | FINISH                           | MFR   |
|------------|---|----------------------------------|---|
| 1          | (3) 1-1/2" PAIR BUTTS, 1219BB, 4-1/2" X 4-1/2"<br>(1) DEADBOLT - 83TKSTK<br>(1) LATCHGUARD - 1LG-1029F<br>(1) PULL - MIT-1<br>(1) THRESHOLD - 211A<br>(1) DOOR BOTTOM - 2344V | 626<br>626<br>9F<br>ALUM<br>---- | HAGER<br>BEST<br>LATCHGUARD<br>TRIMCO<br>PEMCO<br>PEMCO |
| 2          | (3) HD. STEEL HINGES W/ NRP, BB168<br>(1) DEADBOLT - 83TKSTK  | 600<br>626                       | HAGER<br>BEST   |
| 3          | (2) HD. STEEL HINGES W/ NRP, BB168  | 600                              | HAGER   |

**Door Types**

Scale: 1/8" = 1'-0"



3 Conc. / Conc.



4 Conc. / Conc. @ Gates into Toilet Rms.

- ALL THRESHOLDS TO MEET ADA AND ANSI STANDARDS
- ALL THRESHOLDS TO HAVE A MAX RISE OF 1/2" W/ A MAX SLOPE OF 1:2 (RISE TO RUN)
- ALL THRESHOLDS WITH A RISE OF 1/4" OR LESS MAY BE AT A RIGHT ANGLE TO A FLAT SURFACE

**Floor Transition Details**

Scale: 3" = 1'-0"



REVISIONS  
\_\_\_\_\_  
\_\_\_\_\_  
\_\_\_\_\_  
CONSULTANT

**DEPARTMENT OF PUBLIC WORKS**

Gilmore Cliff Shadows Park & Trailhead  
Two Fixture Restroom  
Interior Elevations,  
Schedules, Miscellaneous Details

STAMP  
RECORD DRAWINGS  
NOT FOR CONSTRUCTION

1. TO ALTER THESE DOCUMENTS FOR ANOTHER PROJECT BY ANYONE OTHER THAN THE ORIGINAL ARCHITECT IS A VIOLATION OF NRS 633.

2. THIS RECORD DRAWING HAS BEEN PREPARED IN PART, BASED UPON INFORMATION FURNISHED BY THE OWNER/CONTRACTOR. WHILE THIS INFORMATION IS BELIEVED TO BE ACCURATE, THE DESIGN PROFESSIONAL CANNOT ASSURE THE ACCURACY OF THIS RECORD DRAWING OR FOR ANY ERRORS OR OMISSIONS WHICH MAY HAVE BEEN INCORPORATED INTO IT AS A RESULT. THE DESIGN PROFESSIONAL CANNOT AND DOES NOT WARRANT THEM ACCURATE.

3. INFORMATION THAT MAY BE INCLUDED WOULD BE SIGNIFICANT CHANGES TO PLANNING OR IRRIGATION LAYOUT PLANS AND ASSOCIATED DRAWINGS, MEASUREMENTS OR CONSTRUCTION DETAIL CHANGES MAY NOT BE INCLUDED.

OWNER: CITY OF LAS VEGAS  
DEPARTMENT OF PUBLIC WORKS  
ARCHITECTURAL SERVICES

400 EAST STEWART AVENUE  
LAS VEGAS, NEVADA 89101  
PHONE: (702) 229-6535  
FAX: (702) 386-4846  
TDD: (702) 386-9108

DRAWN: map  
FILE: p20504  
DATE: 12/18/07  
SCALE: as noted  
BID NO: 04.1534138  
DRAWING NO: 65083

SHEET NO: RR-A4

10/26/19