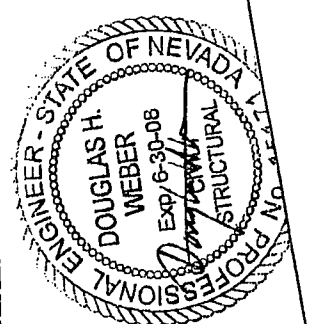
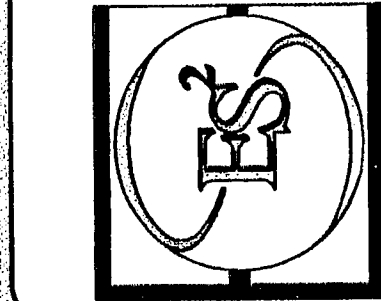


* DIMENSIONS SHOWN ARE APPROXIMATED BASED ON THE CIVIL DRAWINGS. REFERENCE CIVIL DRAWINGS FOR EXACT DIMENSIONS AND STATIONS.

SEAL: 

DESIGNED: J.W.
 DRAWN: J.W.
 S.P.
 CHECKED: J.W.
 APPROVED: J.W.

ENGINEERING SYSTEM SOLUTIONS
 4945 NORTH 29TH EAST, STE A
 IDAHO FALLS, IDAHO 83401
 Phone: (208) 552-9874
 Fax: (208) 552-9902

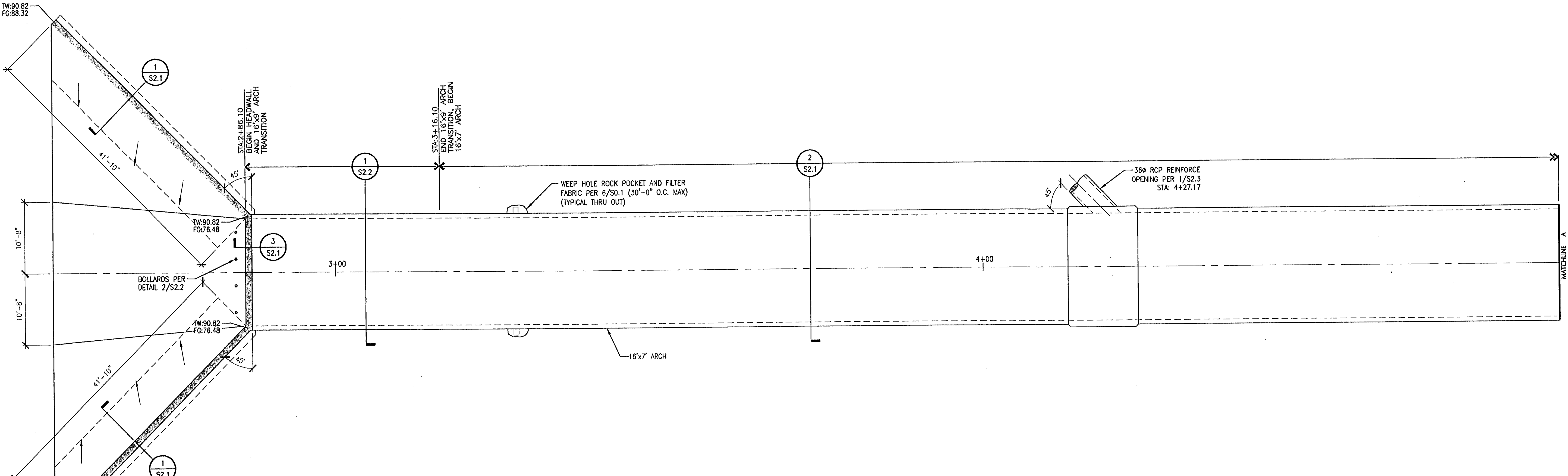


HYDRO-ARCH
 980 MARY CREST ROAD, UNIT B
 HENDERSON, NV 89014

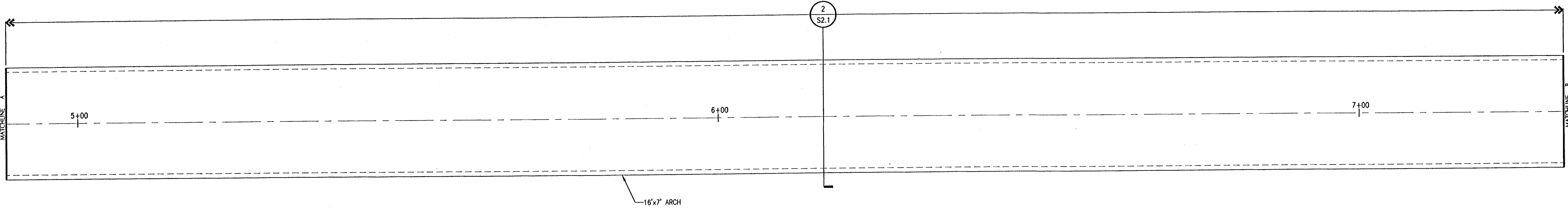
PROJECT: LA MADRE LAS VEGAS, NV FOR HYDRO-ARCH
 SHEET TITLE: PLAN VIEW

REV.	DESCRIPTION	DATE

DATE: December 13, 2007
 PROJECT NUMBER: 2-7 07455
 SHEET NUMBER: **S1.1**



PLAN VIEW SCALE: 1/8" = 1'-0"



PLAN VIEW SCALE: 1/8" = 1'-0"

RECORD COPY

116857

THESE PLANS, DRAWINGS AND DESIGN ARE THE EXCLUSIVE PROPERTY OF ENGINEERING SYSTEM SOLUTIONS, INC. AND SHALL NOT BE REPRODUCED IN ANY FORM WITHOUT WRITTEN CONSENT. ALL RIGHTS ARE RESERVED. COPYRIGHT 2006 ENGINEERING SYSTEM SOLUTIONS, INC.