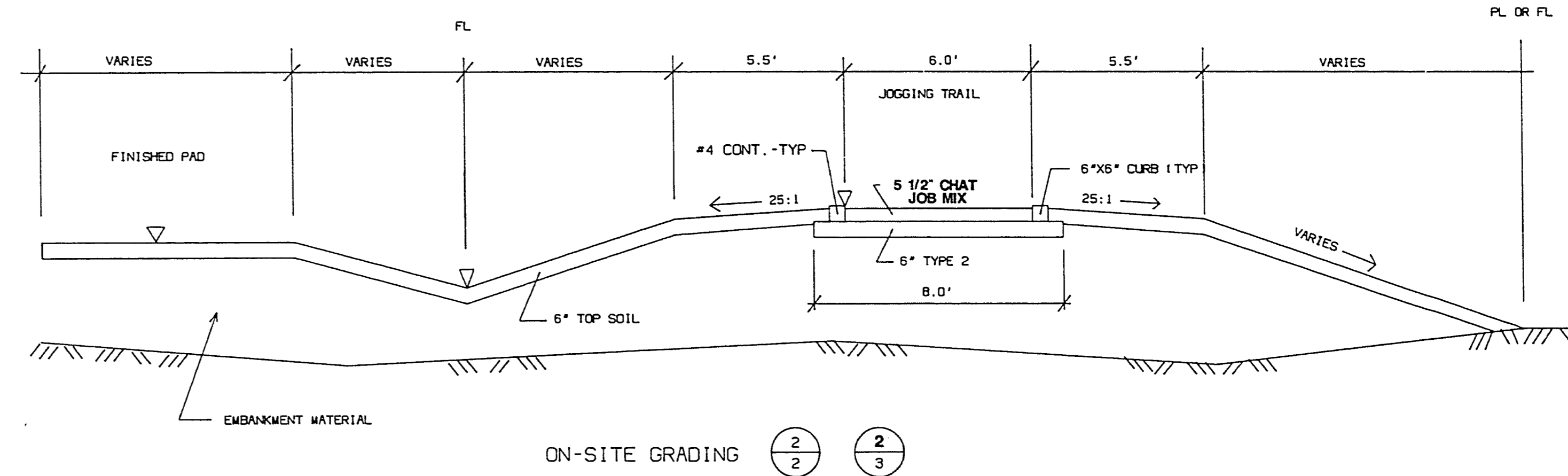
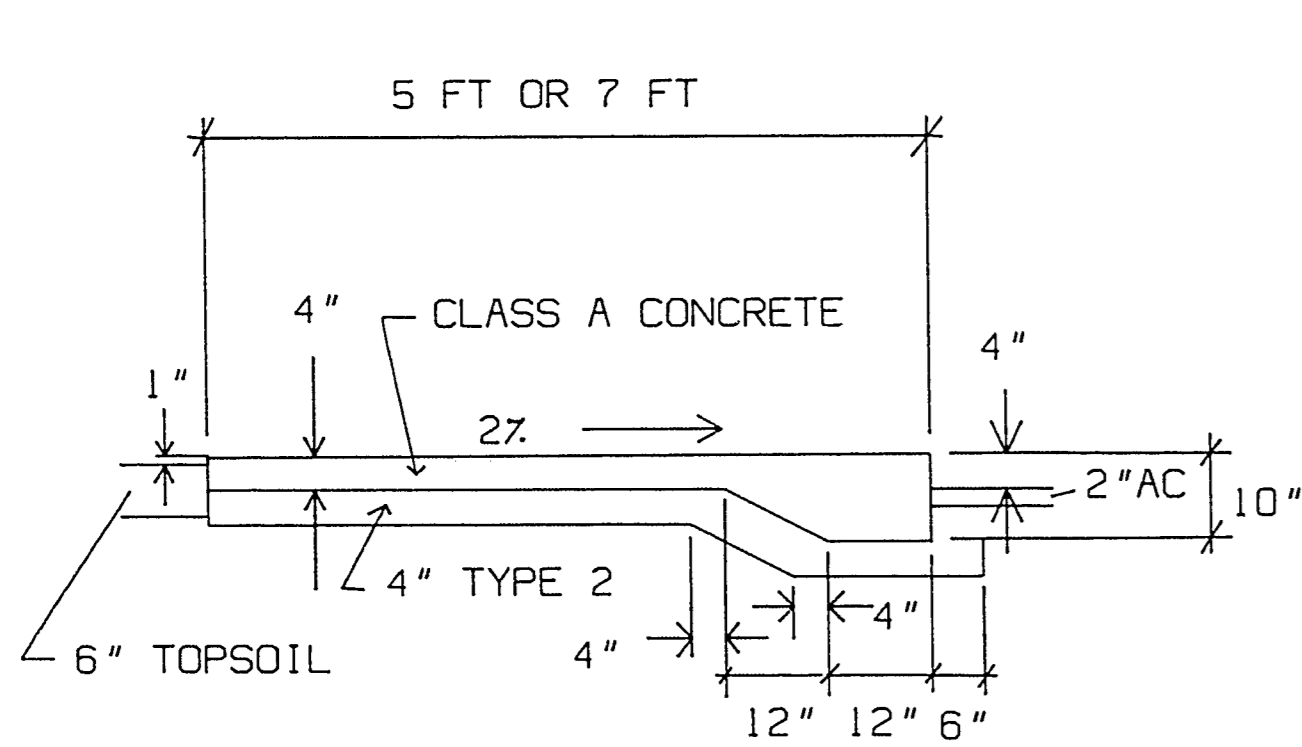


PARKING LOT IMPROVEMENTS (1/2)

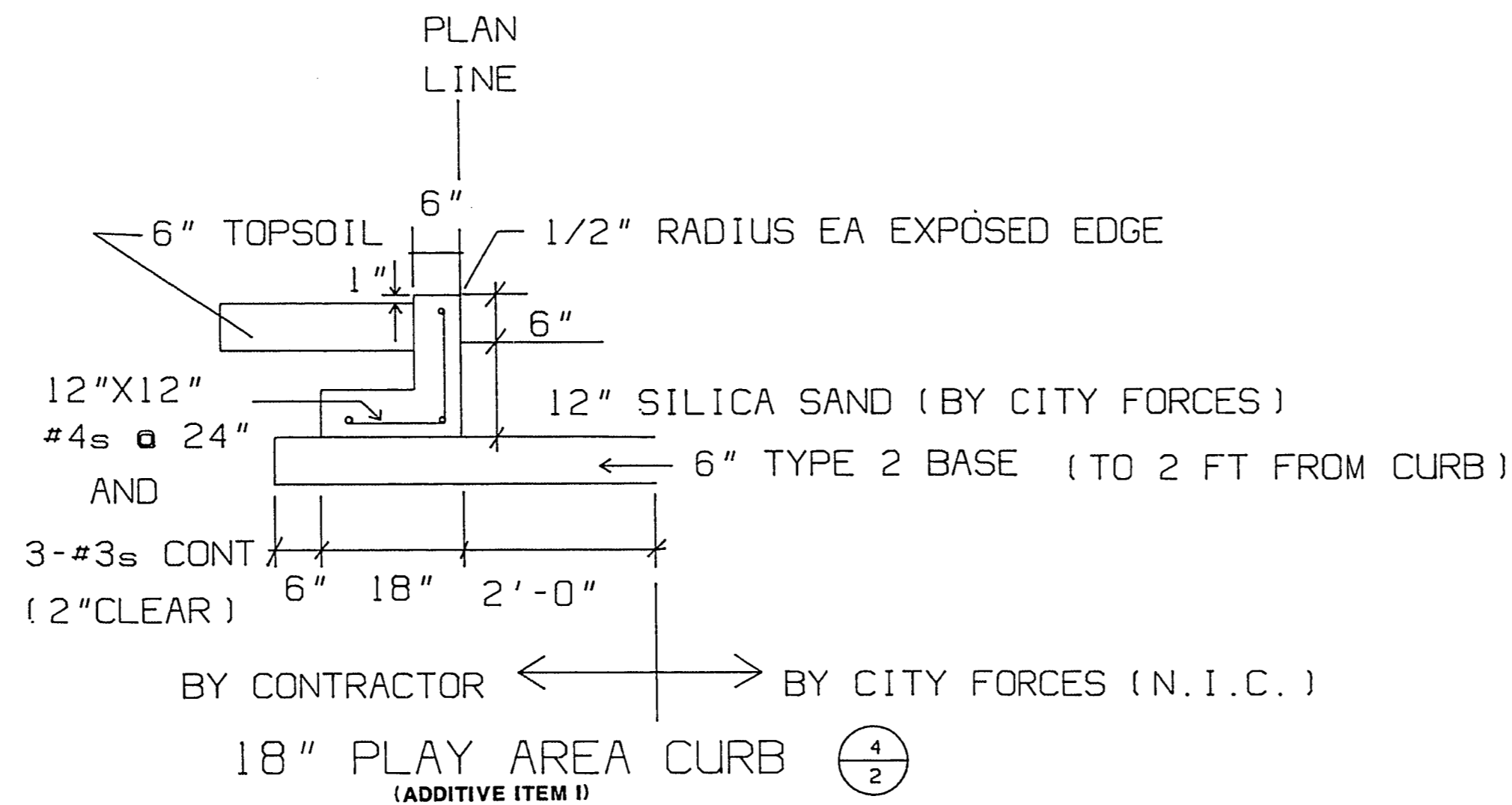


ON-SITE GRADING (2/2, 2/3)

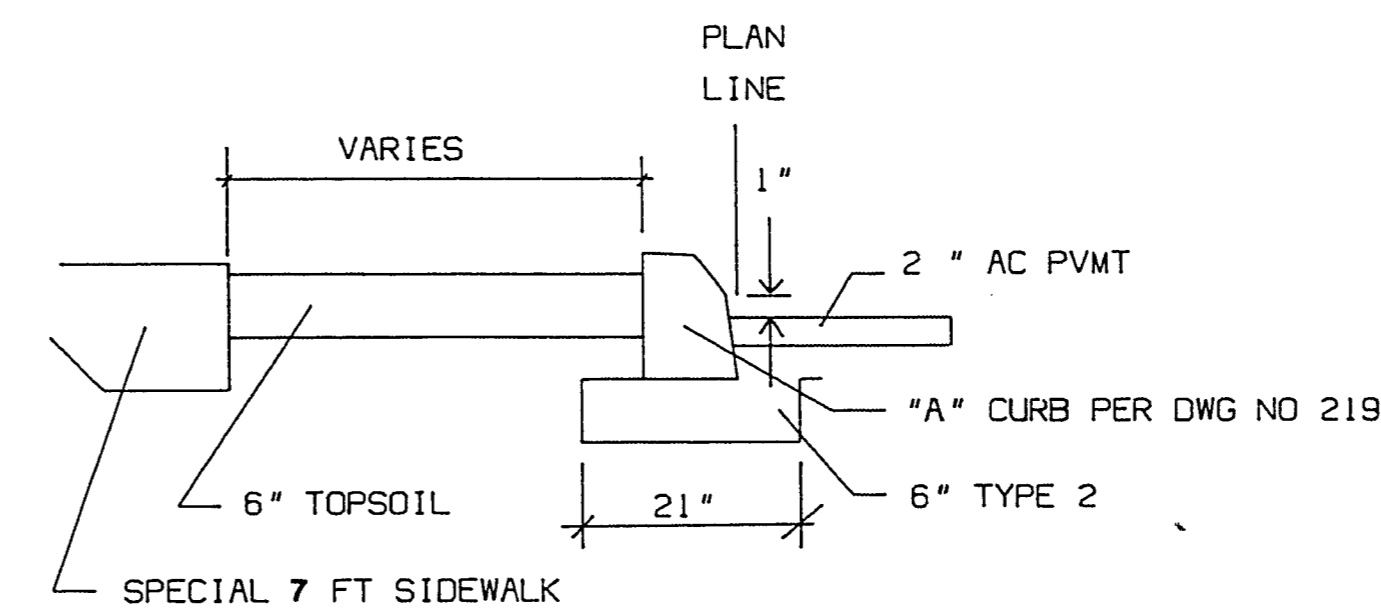


SPECIAL 5 AND 7 FT SIDEWALK (ADDITIVE ITEM I) (3/2)

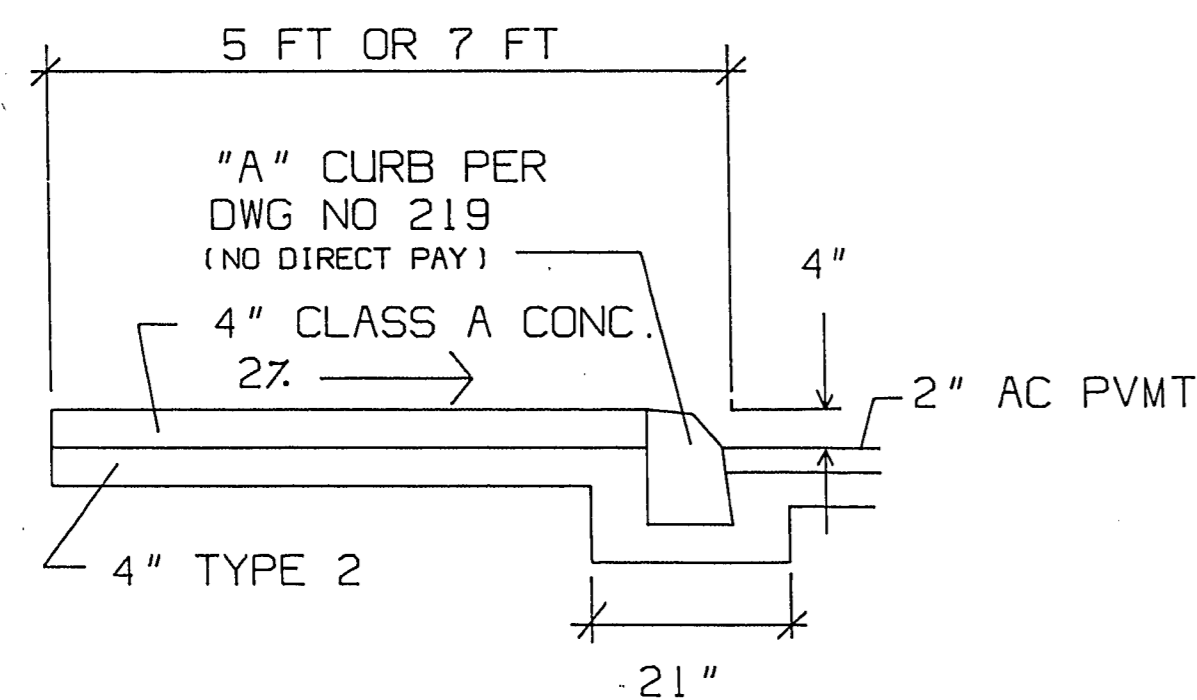
NOTE: THE CONTRACTOR, AT HIS OPTION, MAY CONSTRUCT ALTERNATE 5 OR 7 FT SIDEWALK AT NO ADDITIONAL EXPENSE TO THE CITY. SEE DETAIL 7/2 BELOW.



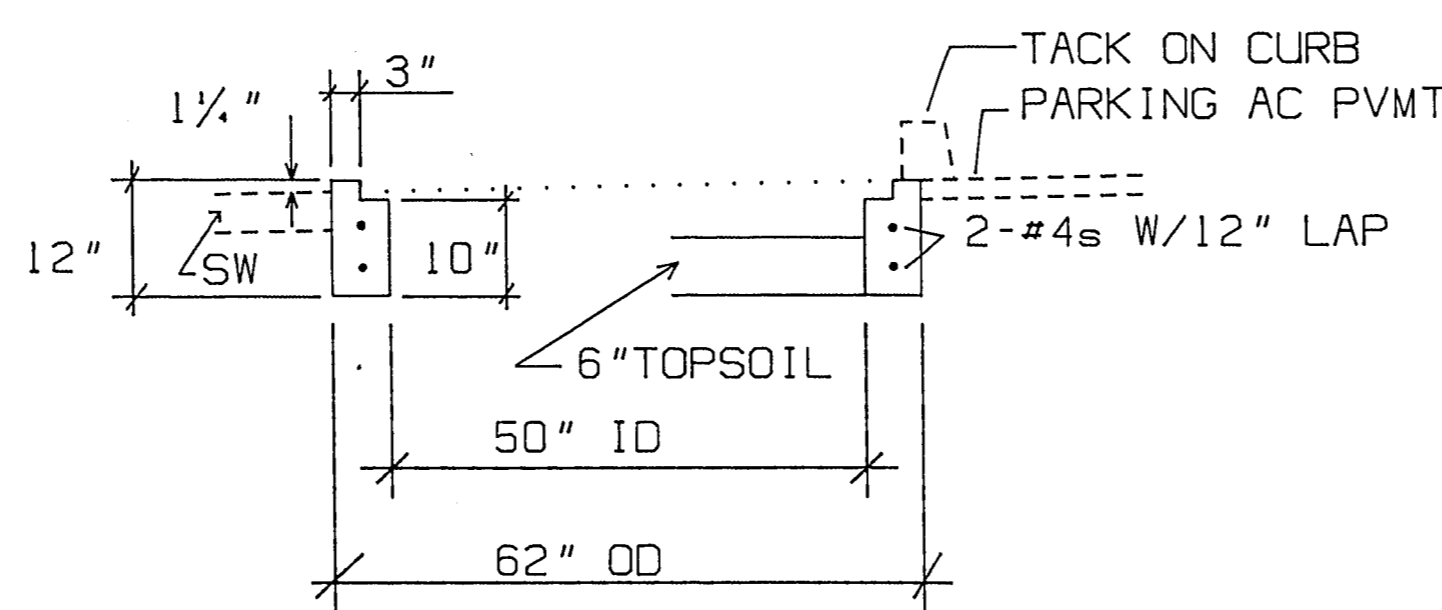
18" PLAY AREA CURB (ADDITIVE ITEM II) (4/2)



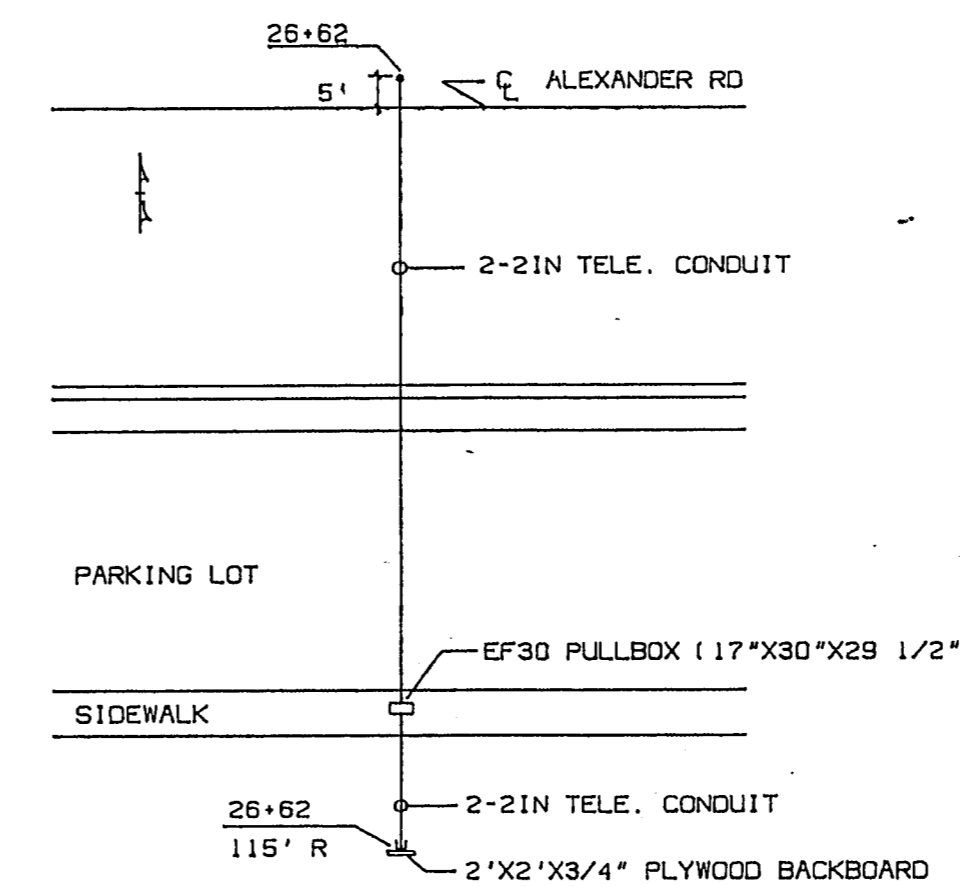
PLANTER AREAS NEAR ENTRANCE & EXIT (ADDITIVE ITEM I) (5/2)



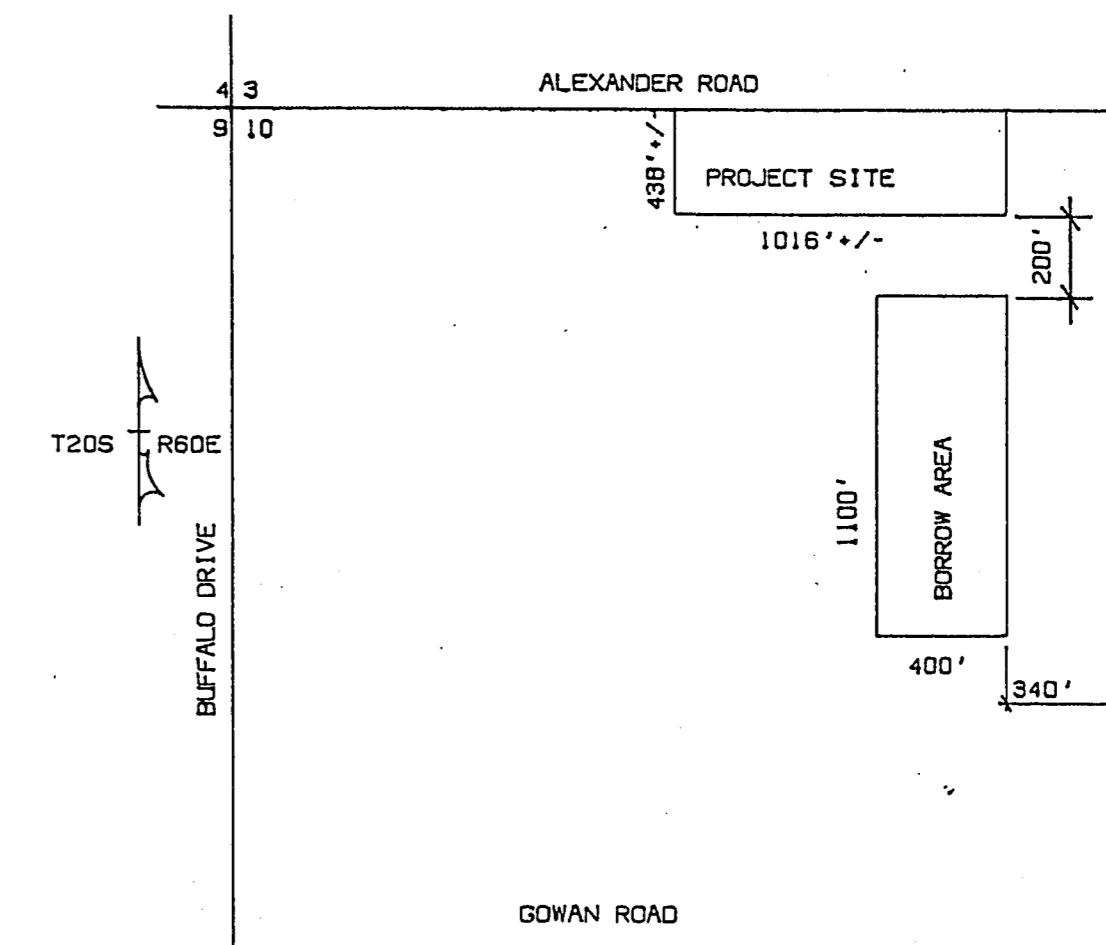
ALTERNATE 5 AND 7 FT SIDEWALK (7/2)



TREE WELL CURB (ADDITIVE ITEM I) (8/2)

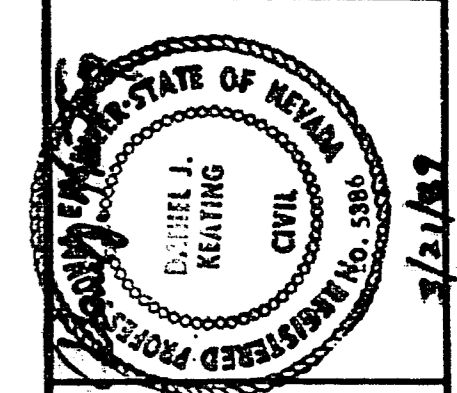


TELEPHONE PLAN (9/2)



BORROW AREA LOCATION MAP (10/2)

Scale (h)	Scale (v)	Scale (w)
Fid. bk. no.	Date	Date
Design by	Drawn by	Date
Approved by		



Department of Public Works
GOWAN PARK
 DETAILS
 INITIAL CONSTRUCTION

PHASE I SITE



CONTRACT DRAWING
 APR 3 1989

Drawing no. 650.29-1

BID NO. 89.1715.25