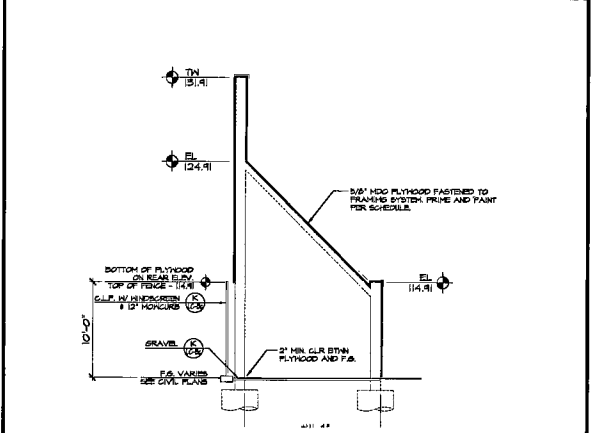
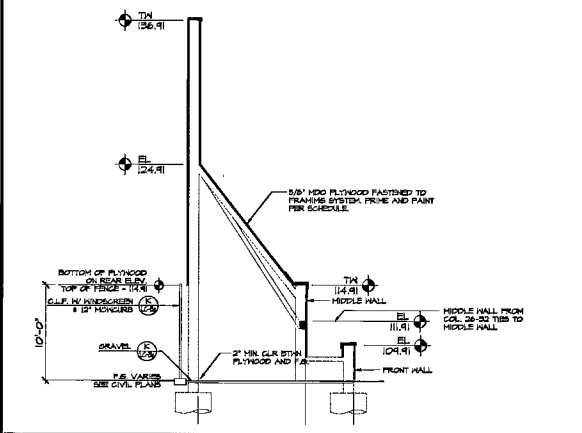
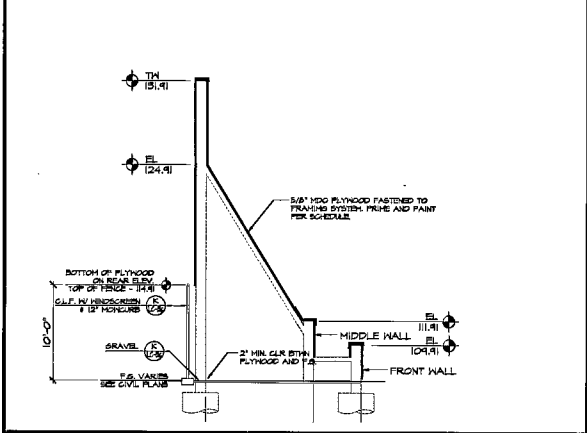


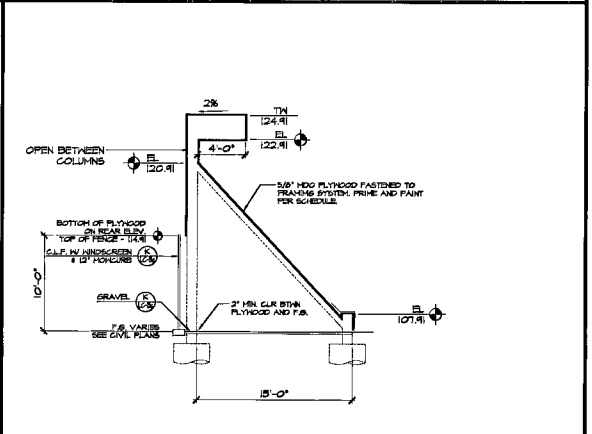
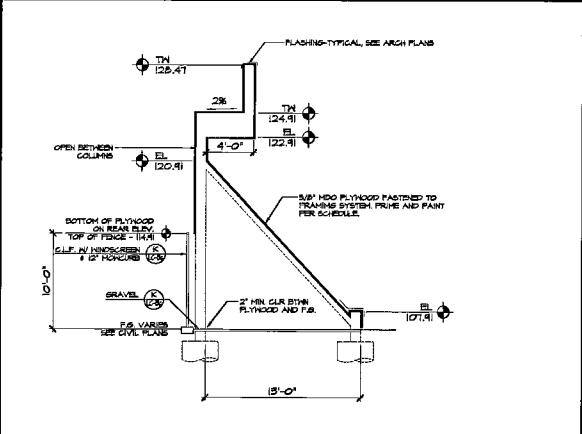
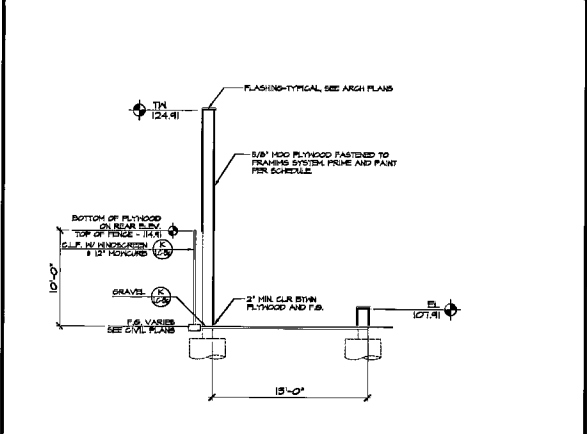
A FENWAY PARK - SECTION A COLUMN 118/18 SCALE: 3/16" = 1'-0"
B FENWAY PARK - SECTION B COLUMN 14 SCALE: 3/16" = 1'-0"
C FENWAY PARK - SECTION C COLUMN 15 SCALE: 3/16" = 1'-0"
D FENWAY PARK - SECTION E COLUMN 25 SCALE: 3/16" = 1'-0"



E FENWAY PARK - SECTION G COLUMN 21/19 SCALE: 3/16" = 1'-0"

F FENWAY PARK - SECTION F COLUMN 22 SCALE: 3/16" = 1'-0"

G FENWAY PARK - SECTION D COLUMN 17/18 SCALE: 3/16" = 1'-0"



H FENWAY PARK - SECTION H COLUMN 17/18

I FENWAY PARK - SECTION I COLUMN 18 THROUGH

J FENWAY PARK - SECTION J COLUMN 18 THROUGH

6133343
 613437
 613438
 11/24/19
Dekker Perich Sabatini
 6180 American Road, Ste. 200
 Las Vegas, Nevada 89119
 702.481.1008
 fax 702.481.1000
 info@dekper.com

PBSJ
 ARCHITECTURAL PLANNING & DESIGN
 CONSULTANTS INCORPORATED
 1775 Corporate Center
 Suite 1000
 Las Vegas, NV 89102
 702.733.7339

CITY OF LAS VEGAS
 FREEDOM PARK RENOVATION
 880 NORTH INDIAN LANE, LAS VEGAS, NEVADA 89101
 BIG LEAGUE DREAMS - FENWAY PARK - DETAILS & SECTIONS

100%
 OWNER REVIEW

OWNER: CITY OF LAS VEGAS
 DEPARTMENT OF PUBLIC WORKS
 ARCHITECTURAL SERVICES

3006 L-D-4
 FEBRUARY 15, 2008
 AS NOTED
 01234
 800-22-18

LC-4I

121291