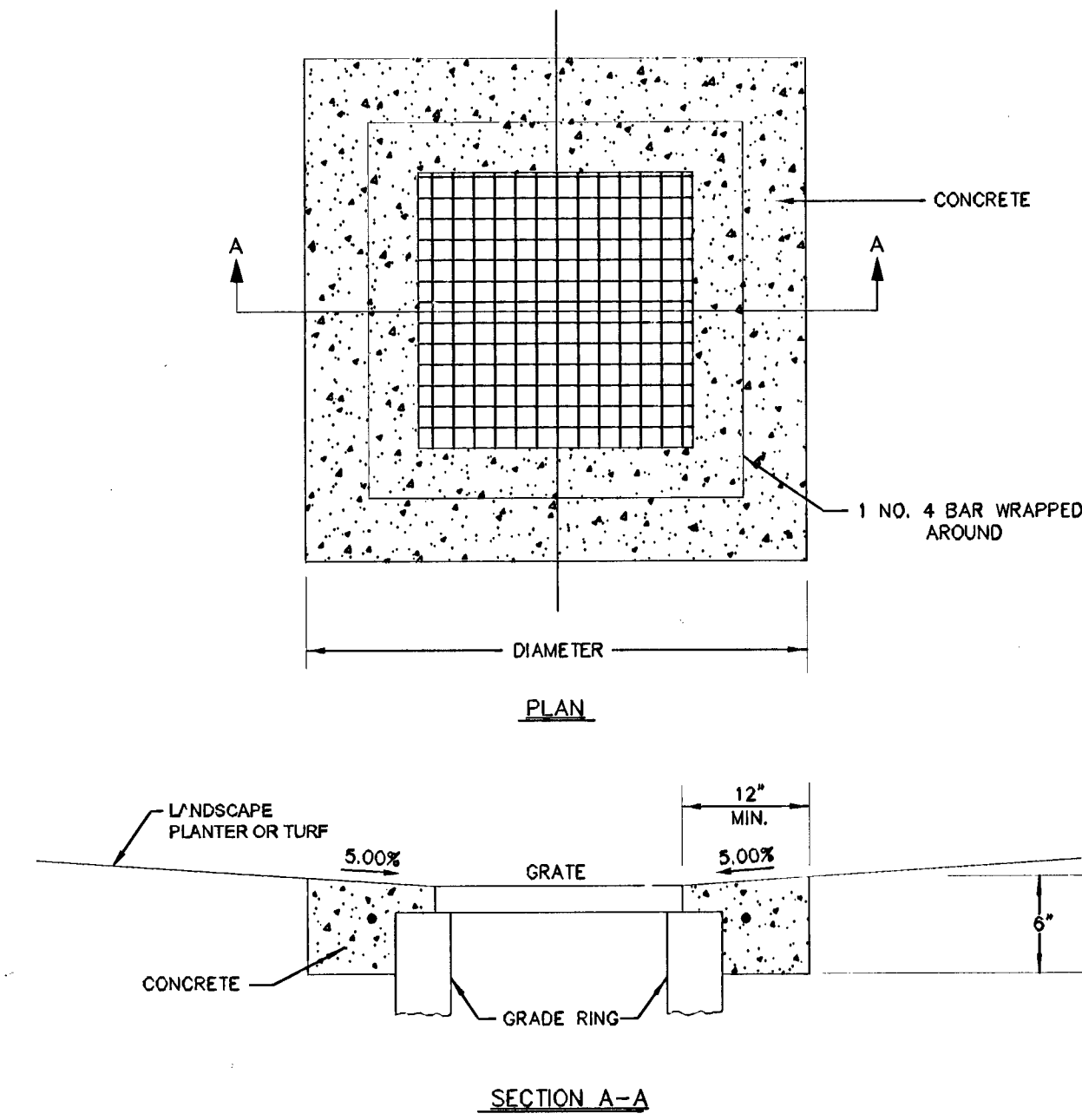
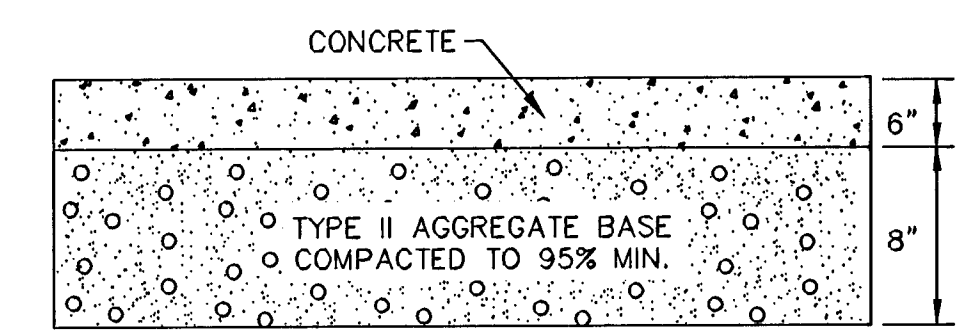


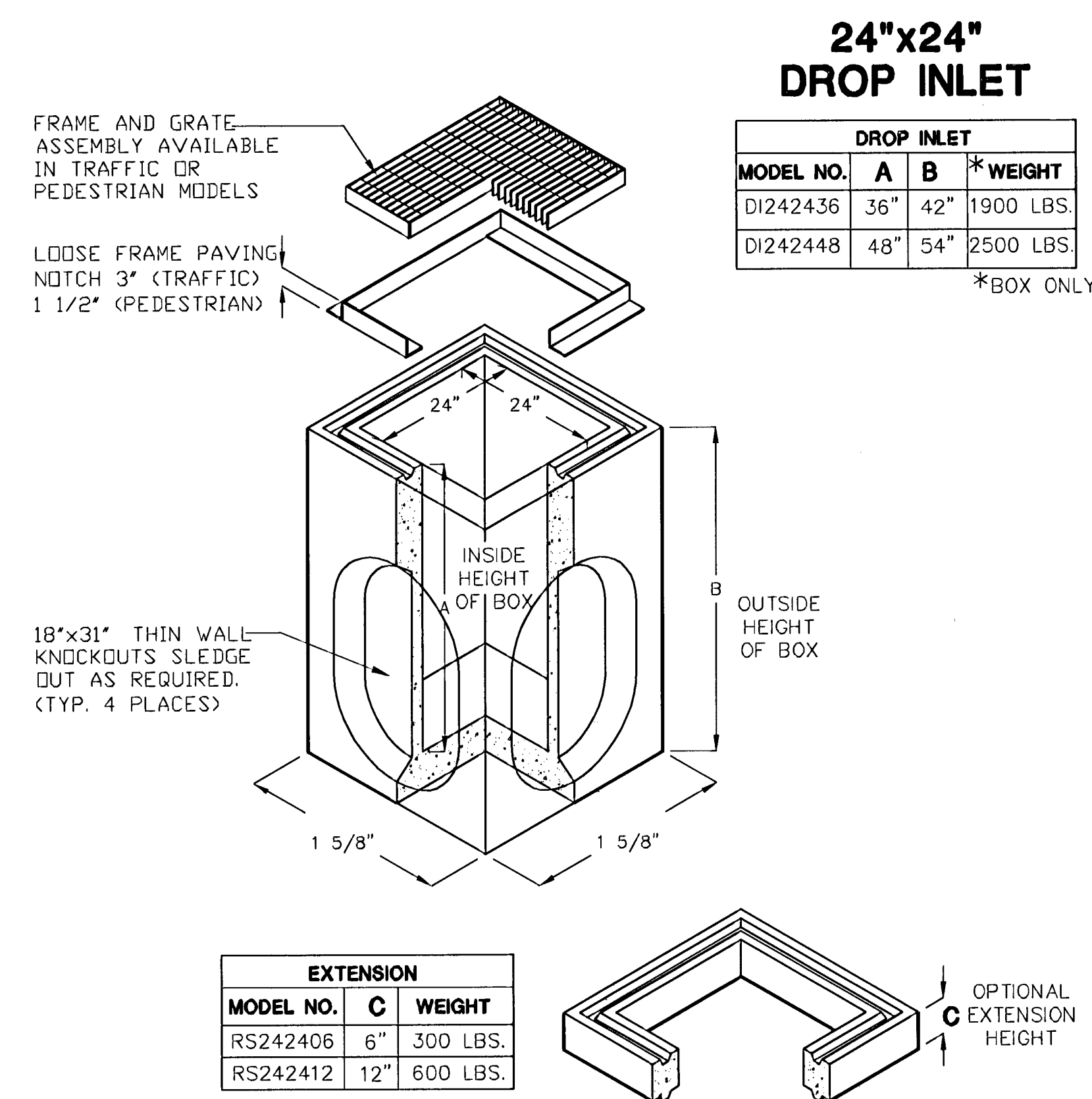
16 CONCRETE COLLAR AROUND MANHOLES WITH GRATED COVERS
C2.03 N.T.S.



17 CONCRETE APRON AROUND DROP INLET
C2.03 N.T.S.



21 6\"/>CONCRETE SECTION
C2.03 N.T.S.



DROP INLET			
MODEL NO.	A	B	*WEIGHT
DI242436	36"	42"	1900 LBS.
DI242448	48"	54"	2500 LBS.

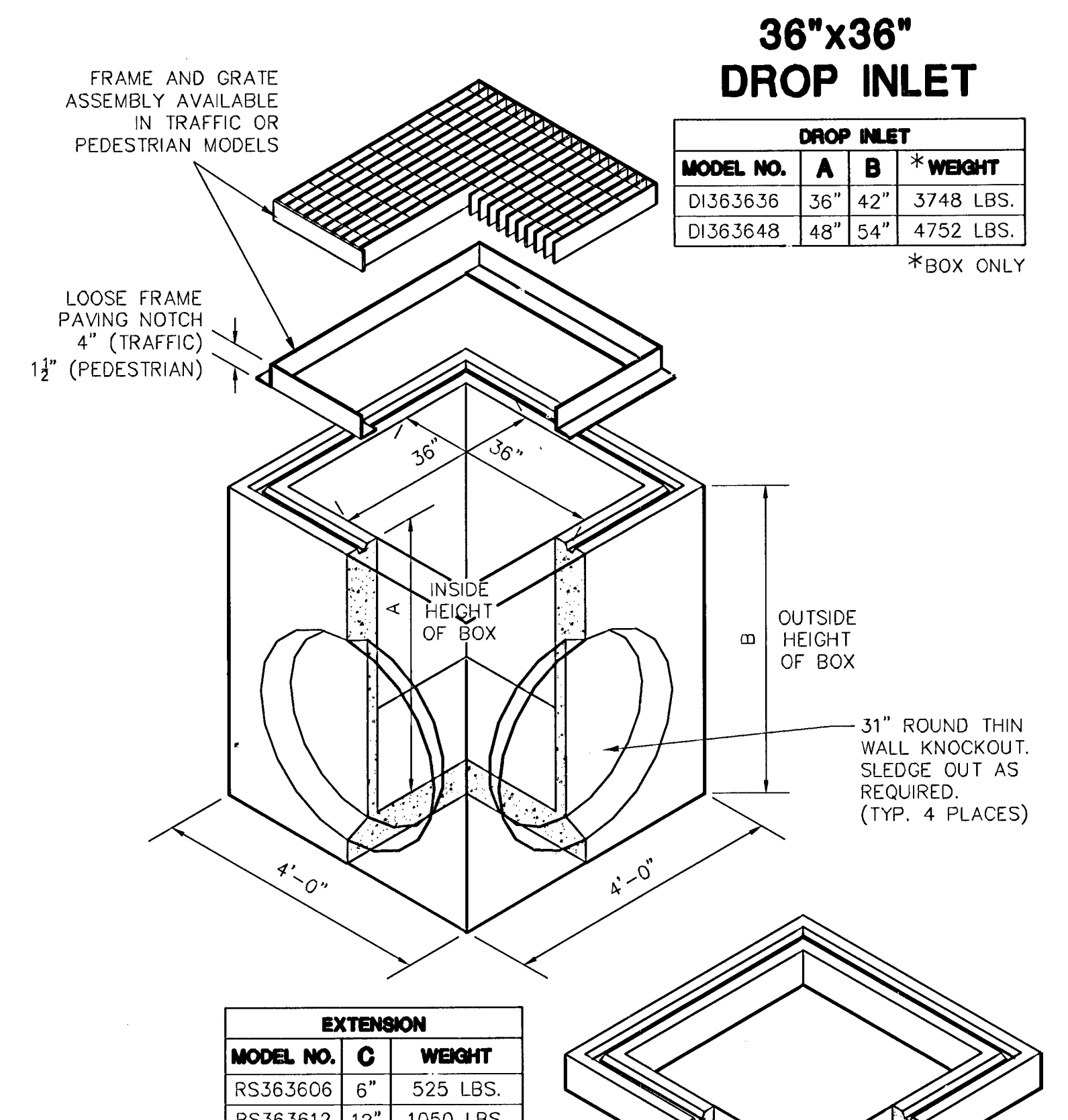
*BOX ONLY

EXTENSION		
MODEL NO.	C	WEIGHT
RS242406	6"	300 LBS.
RS242412	12"	600 LBS.

BOX DESIGN LOAD:
H-20 TRAFFIC

FOR COMPLETE DESIGN
AND PRODUCT INFORMATION,
CONTACT JENSEN PRECAST.

9/23/02
DI2424.dwg
© 2002 Jensen Precast



DROP INLET			
MODEL NO.	A	B	*WEIGHT
DI363636	36"	42"	3748 LBS.
DI363648	48"	54"	4752 LBS.

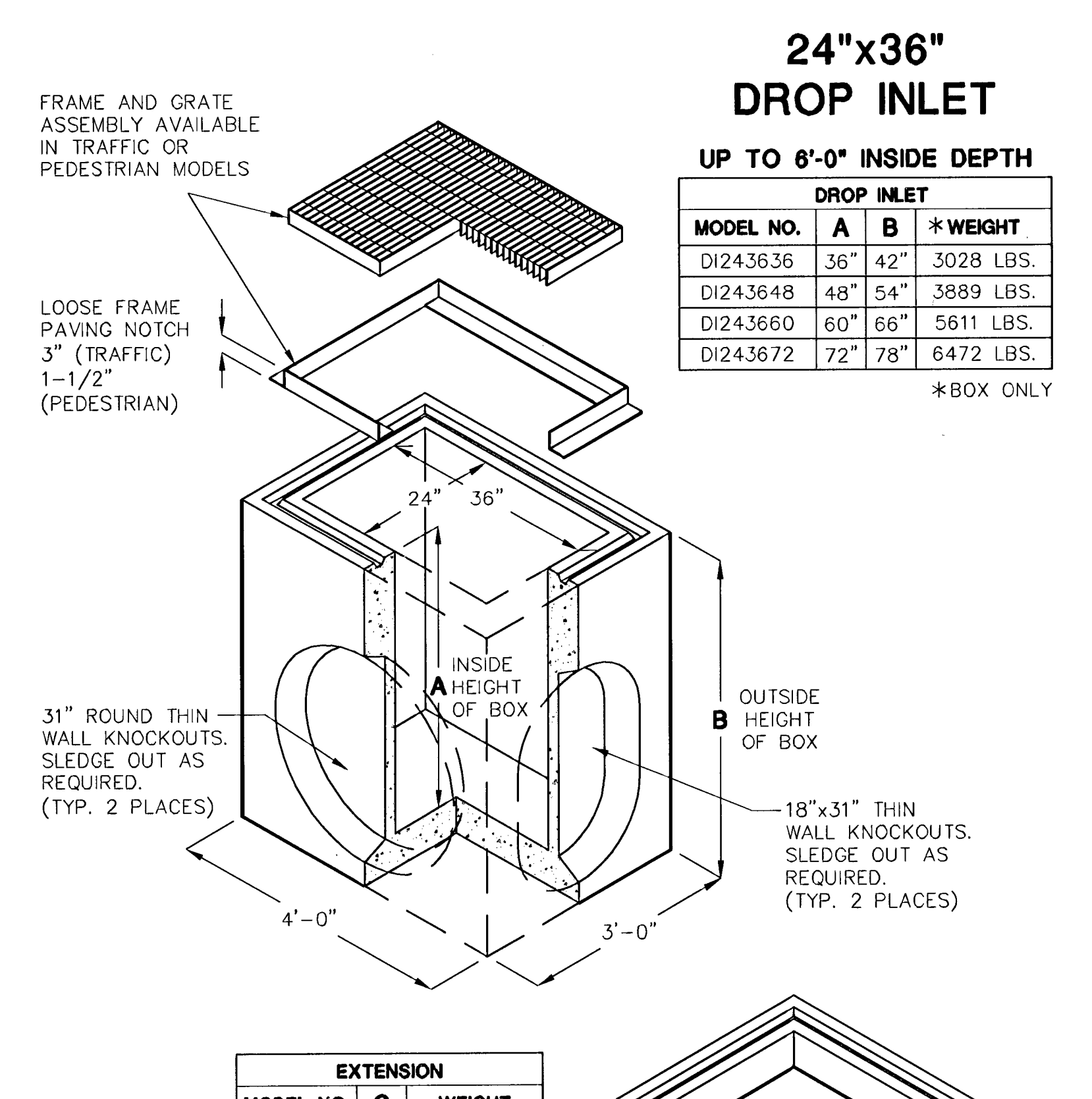
*BOX ONLY

EXTENSION		
MODEL NO.	C	WEIGHT
RS363606	6"	525 LBS.
RS363612	12"	1050 LBS.

BOX DESIGN LOAD:
H-20 TRAFFIC

FOR COMPLETE DESIGN
AND PRODUCT INFORMATION,
CONTACT JENSEN PRECAST.

8/17/03
DI3636.dwg
© 1999 Jensen Precast



DROP INLET			
MODEL NO.	A	B	*WEIGHT
DI243636	36"	42"	3028 LBS.
DI243648	48"	54"	3889 LBS.
DI243660	60"	66"	5611 LBS.
DI243672	72"	78"	6472 LBS.

*BOX ONLY

EXTENSION		
MODEL NO.	C	WEIGHT
RS243606	6"	450 LBS.
RS243612	12"	900 LBS.

BOX DESIGN LOAD:
H-20 TRAFFIC

FOR COMPLETE DESIGN
AND PRODUCT INFORMATION,
CONTACT JENSEN PRECAST.

9/23/02
DI2436.dwg
© 2002 Jensen Precast



18 24\"/>JENSEN PRE-CAST INLET
C2.03 N.T.S. (OR EQUIVALENT)

19 36\"/>JENSEN PRE-CAST INLET
C2.03 N.T.S. (OR EQUIVALENT)

20 24\"/>JENSEN PRE-CAST INLET
C2.03 N.T.S. (OR EQUIVALENT)

Call before you Undergo
1-702-455-7511
1-702-455-5300
1-702-455-5300

Call before you Overhead
1-702-227-2829
1-702-455-7511

Call before you Dig
1-800-227-2800
1-702-455-7511

REVISIONS

architecture
interiors
planning
engineering

Dekker Perich Sabatini
6860 Bermuda Road, Ste. 100
Las Vegas, Nevada 89119
702.438.1008
fax 438.1050
info@dpsdesign.org

PBS&J
ENGINEERING PLANNING SURVEYING
CONSTRUCTION SERVICES

2270 Corporate Circle
Suite 100
Henderson, Nevada 89074
Telephone: 702/263-7275
Fax: 702/263-7200

CITY OF LAS VEGAS
FREEDOM PARK RENOVATION
850 NORTH MOJAVE, LAS VEGAS, NEVADA 89101
GENERAL DETAILS

STAMP
Professional Engineer
Civil
No. 015875
12-1-08

OWNER: CITY OF LAS VEGAS
DEPARTMENT OF PUBLIC WORKS
ARCHITECTURAL SERVICES

400 EAST STEWART AVENUE
LAS VEGAS, NEVADA 89101
PHONE: (702) 229-6535
FAX: (702) 384-4846
TDD: (702) 386-9108

DATE: 3008-C2.03d
SCALE: N.T.S.
DATE: DECEMBER 1, 2008
SHEET NO: 070354
CLY DWG NO: 650.22-18
H30306
SHEET NO: SHEET 5 OF 78
C2.03