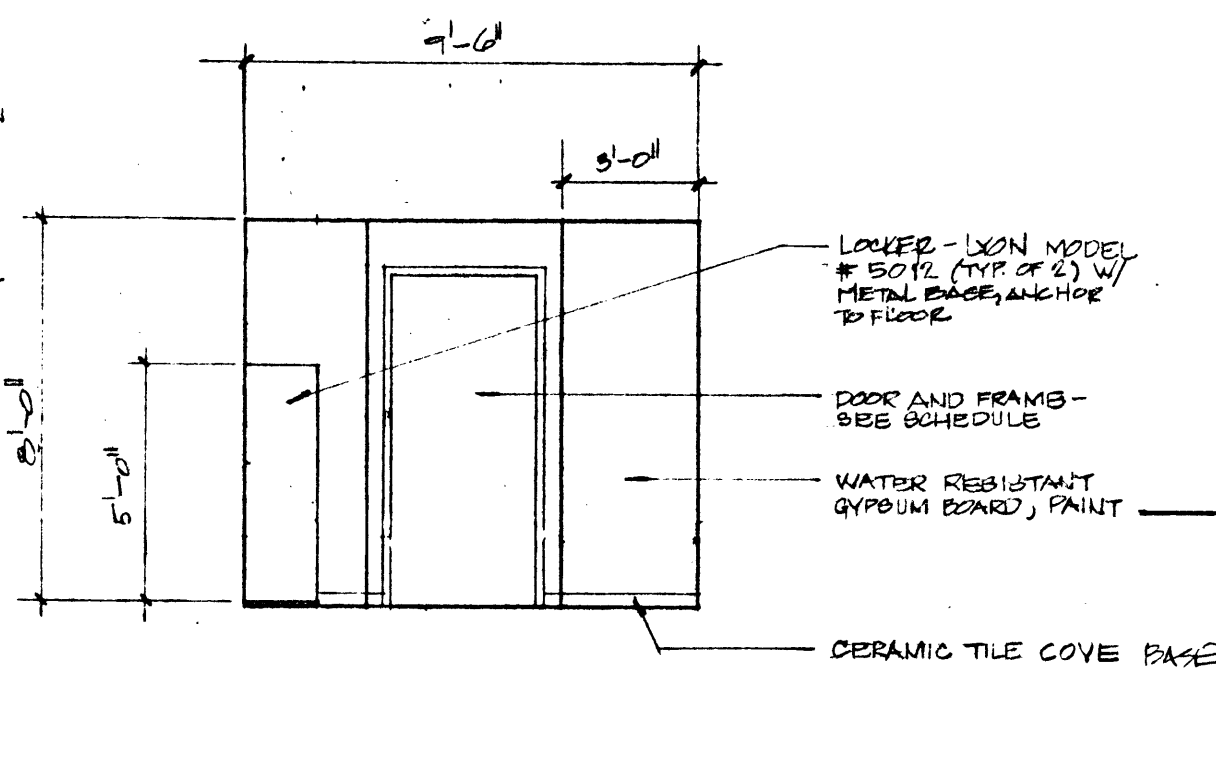
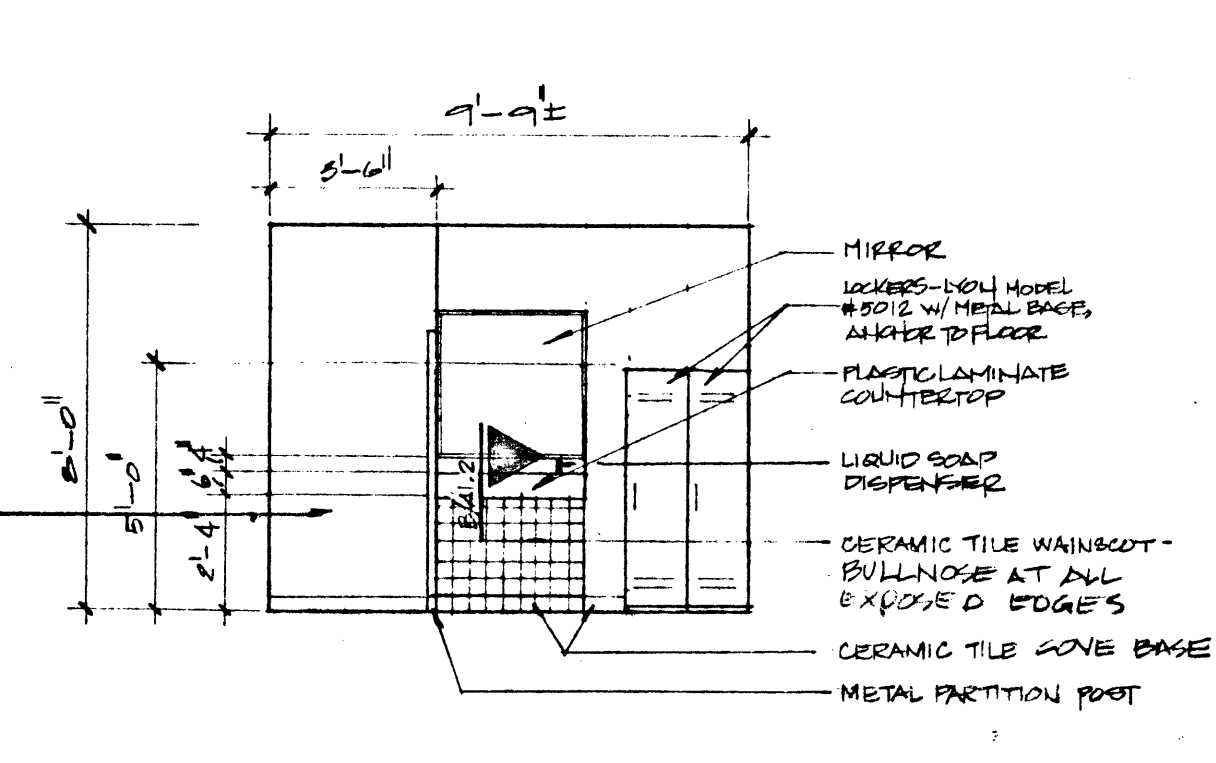


INTERIOR ELEVATION 4
WALL 4
A1.2

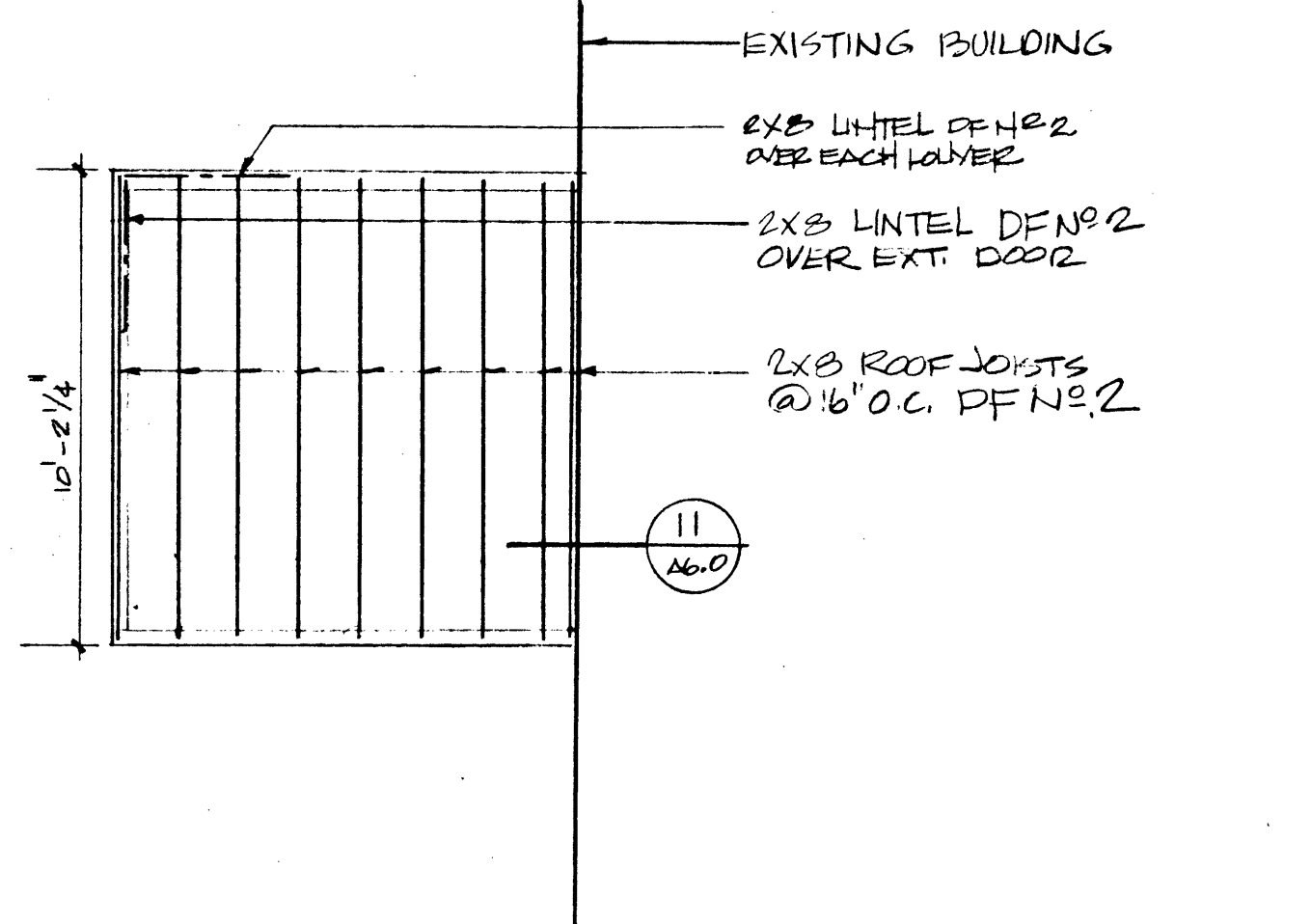
INTERIOR ELEVATION 3
WALL 3
A1.2



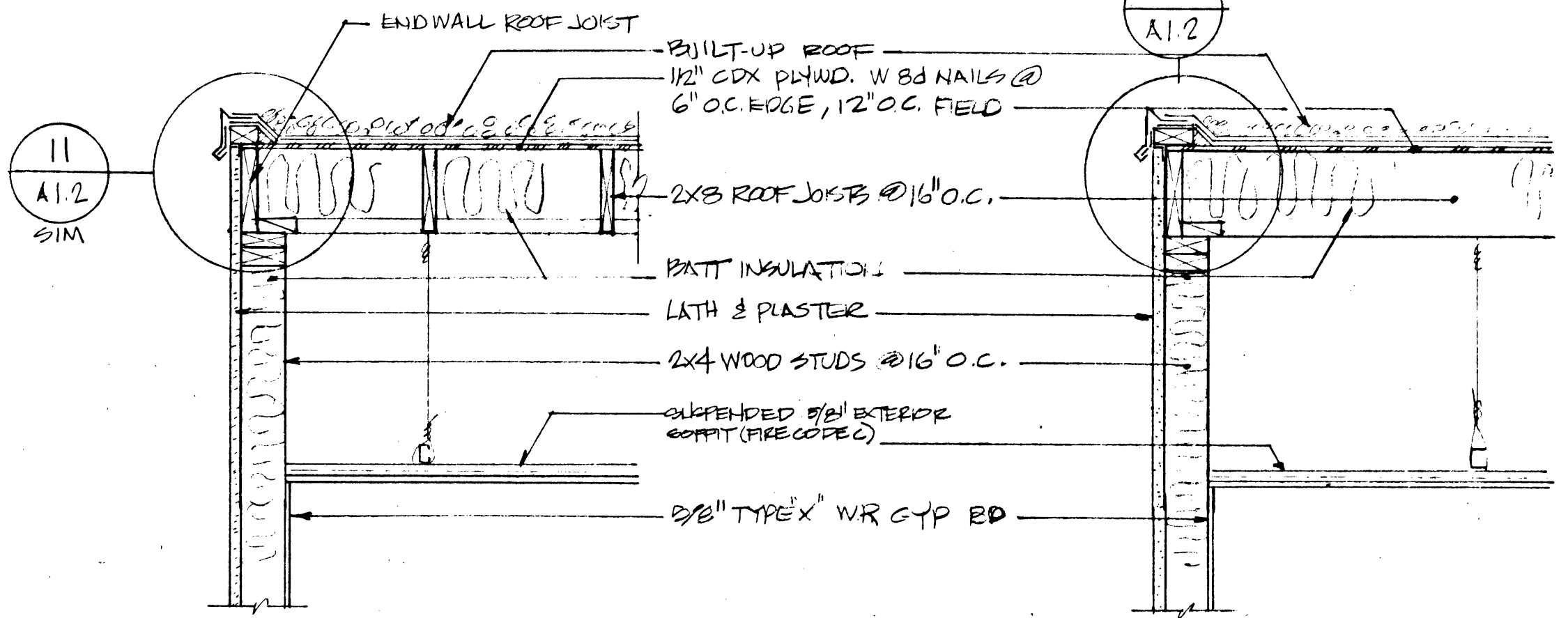
INTERIOR ELEVATION 2
WALL 2
A1.2



INTERIOR ELEVATION 1
WALL 1
A1.2

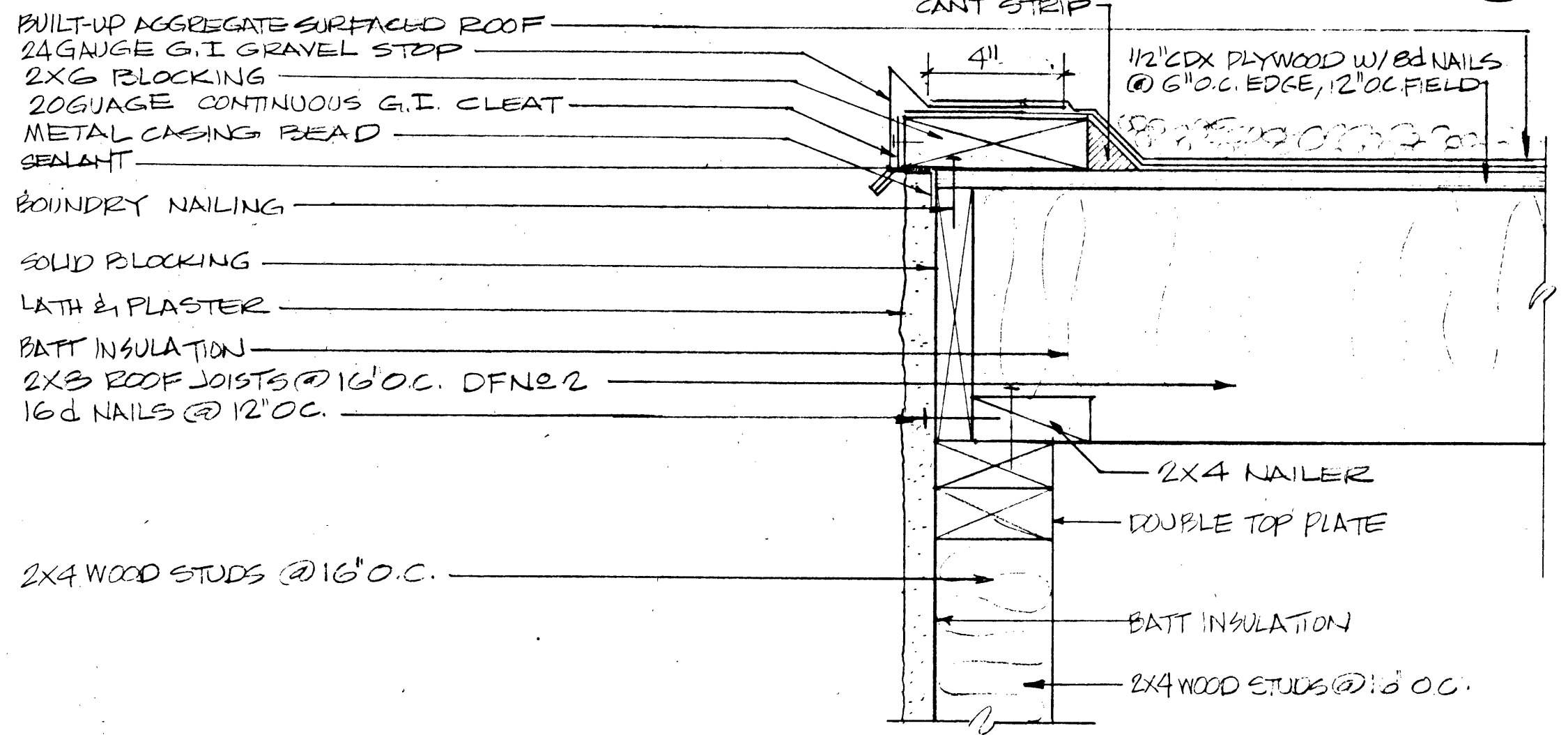


ROOF FRAMING PLAN A
SCALE 1/4" = 1'-0"
A1.2

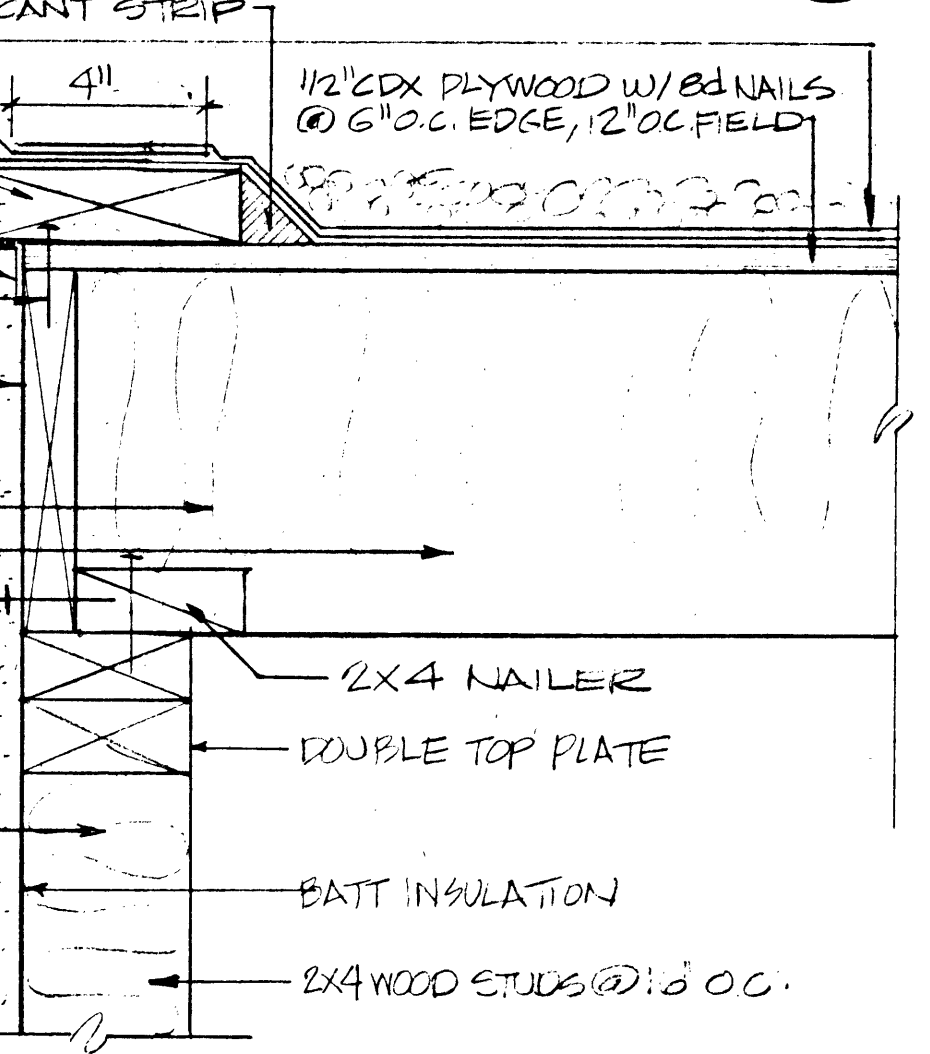


DETAIL 8
SCALE 1" = 1'-0"
A1.2

DETAIL 7
SCALE 1" = 1'-0"
A1.2

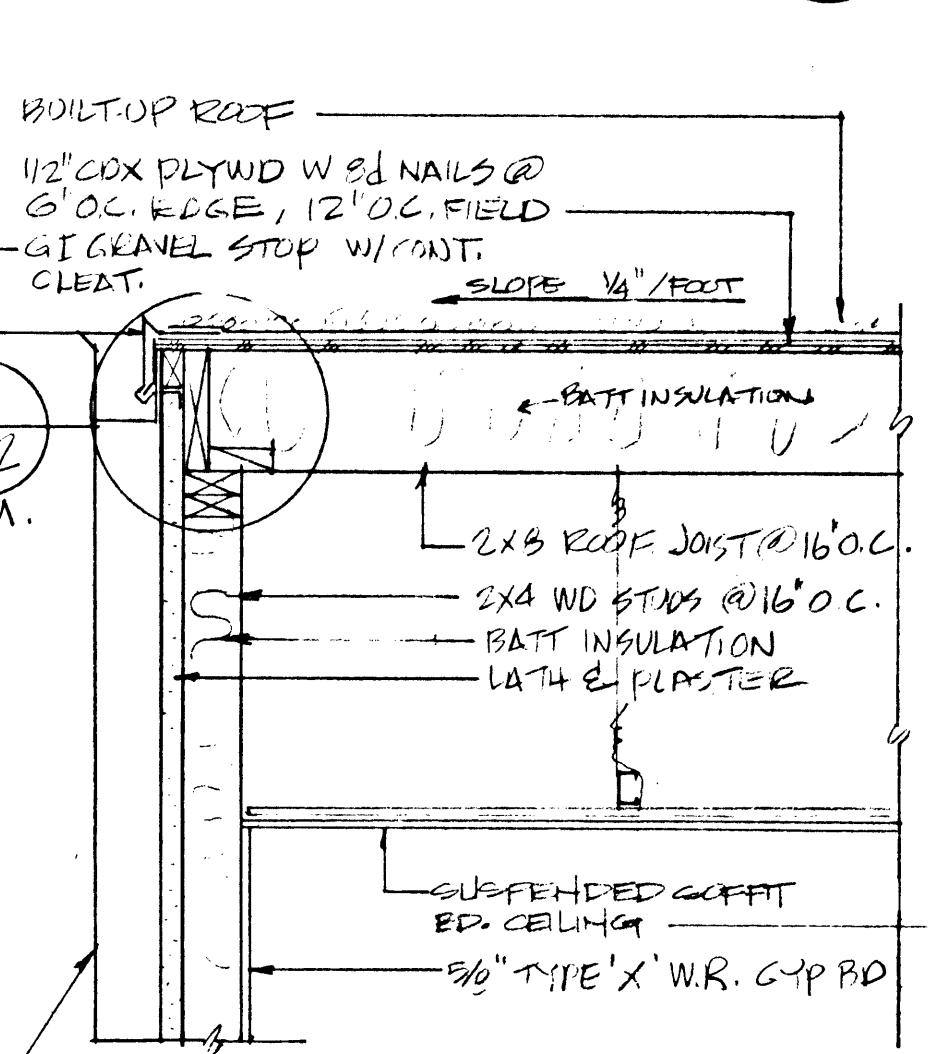


DETAIL 11
SCALE 3/8" = 1'-0"
A1.2

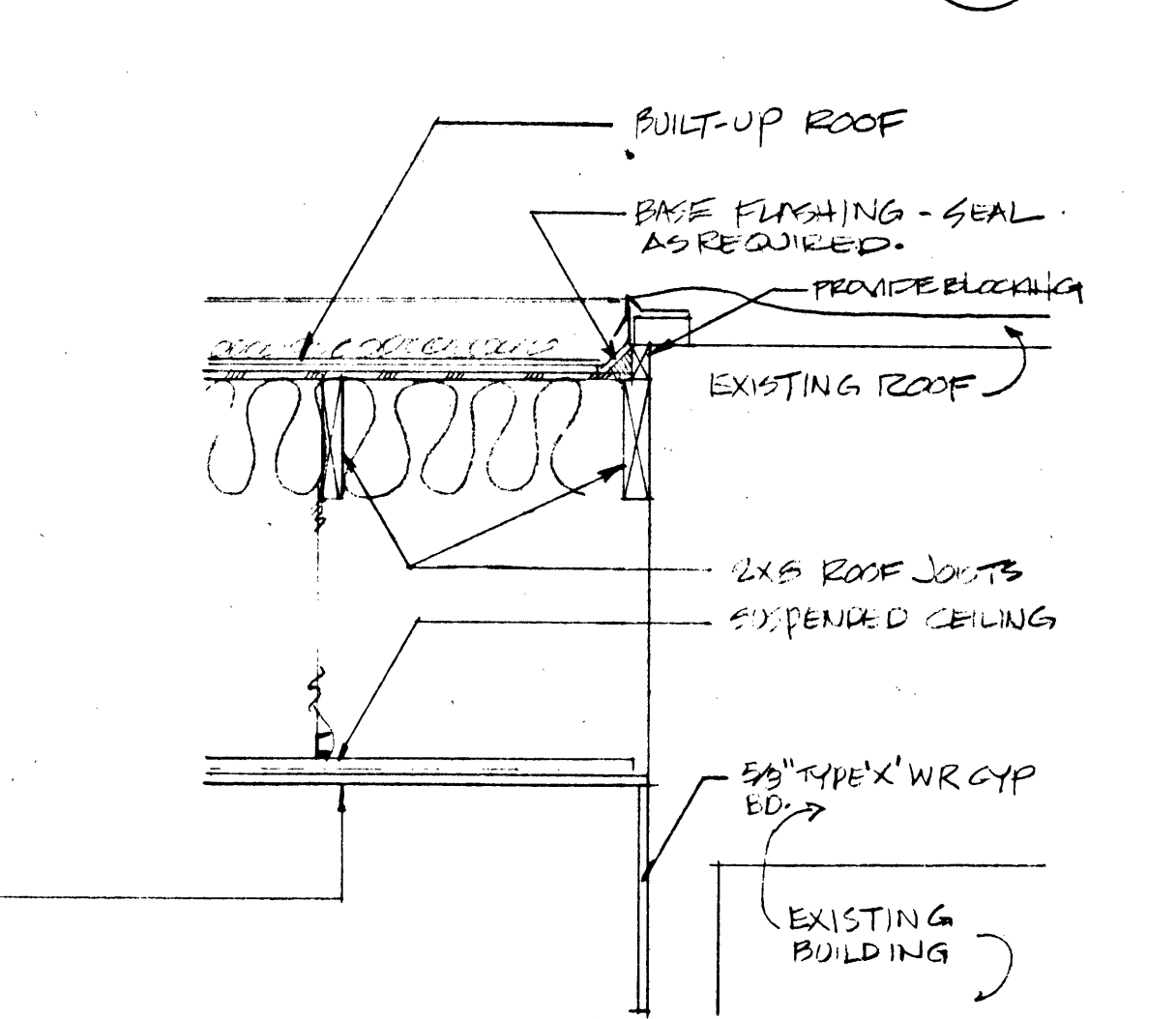


DETAIL 6
SCALE 1" = 1'-0"
A1.2

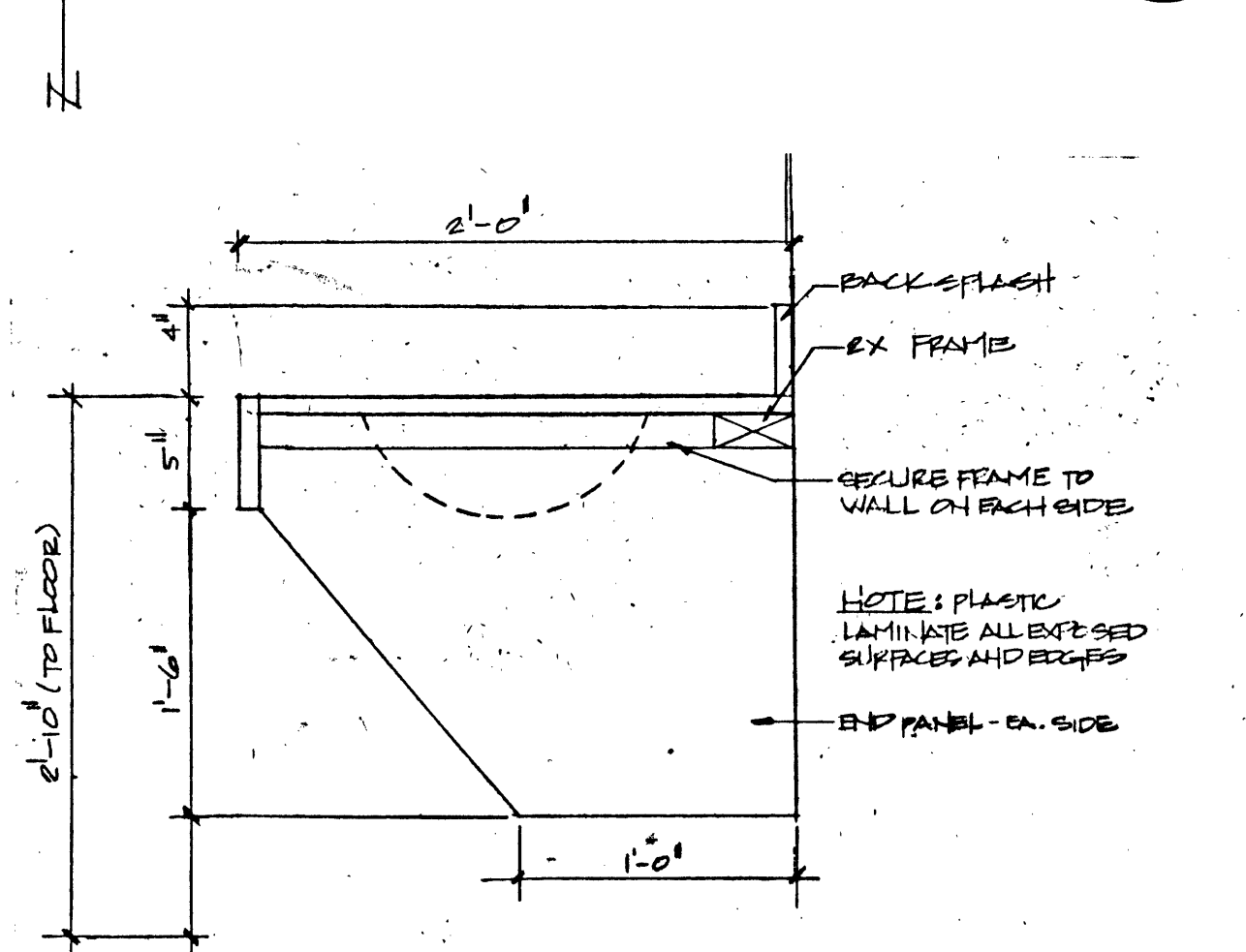
DETAIL 5
SCALE 1" = 1'-0"
A1.2



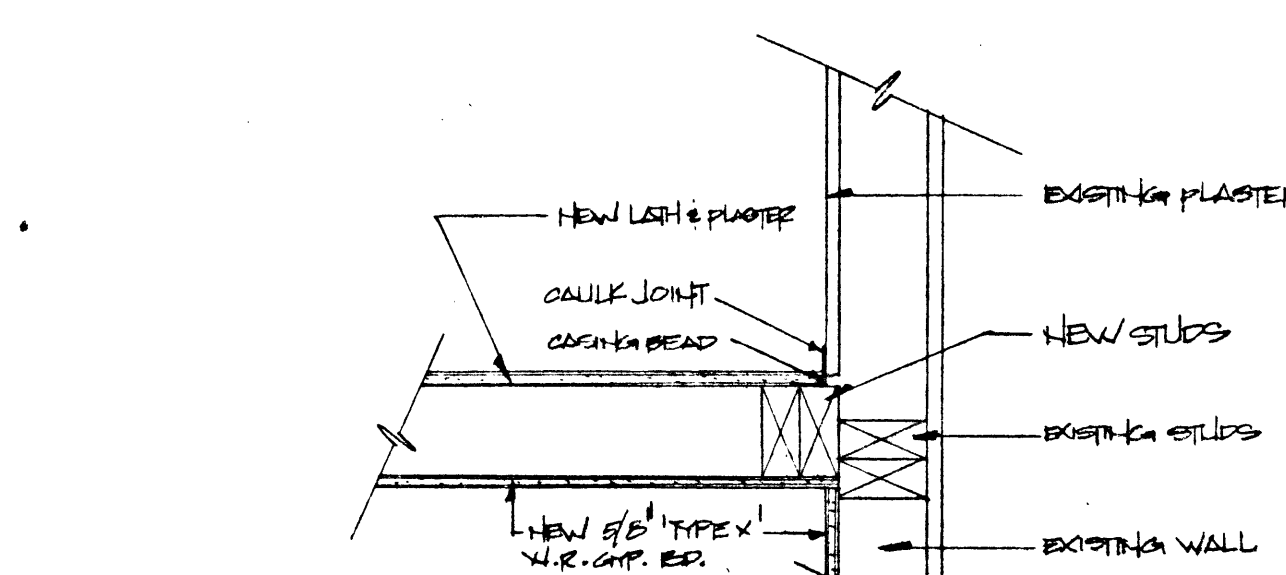
DETAIL 10
SCALE 1" = 1'-0"
A1.2



DETAIL 9
SCALE 1" = 1'-0"
A1.2



VANITY DETAIL B
SCALE 1 1/2" = 1'-0"
A1.2



DETAIL @ NEW/EXISTING WALL C
SCALE 1 1/2" = 1'-0"
A1.2

HSA ARCHITECTS, Inc.
Architecture Interiors
1531 West Ashley Boulevard, Las Vegas, Nevada 89102
(702) 383-0077

FIRE STATION #3 - INTERIOR ELEVATIONS
FEMALE FIRE FIGHTERS
BATHROOM FACILITY ADDITIONS

901002.0
29 JAN 1991
TRM
TMS
A1.2
12
630-83