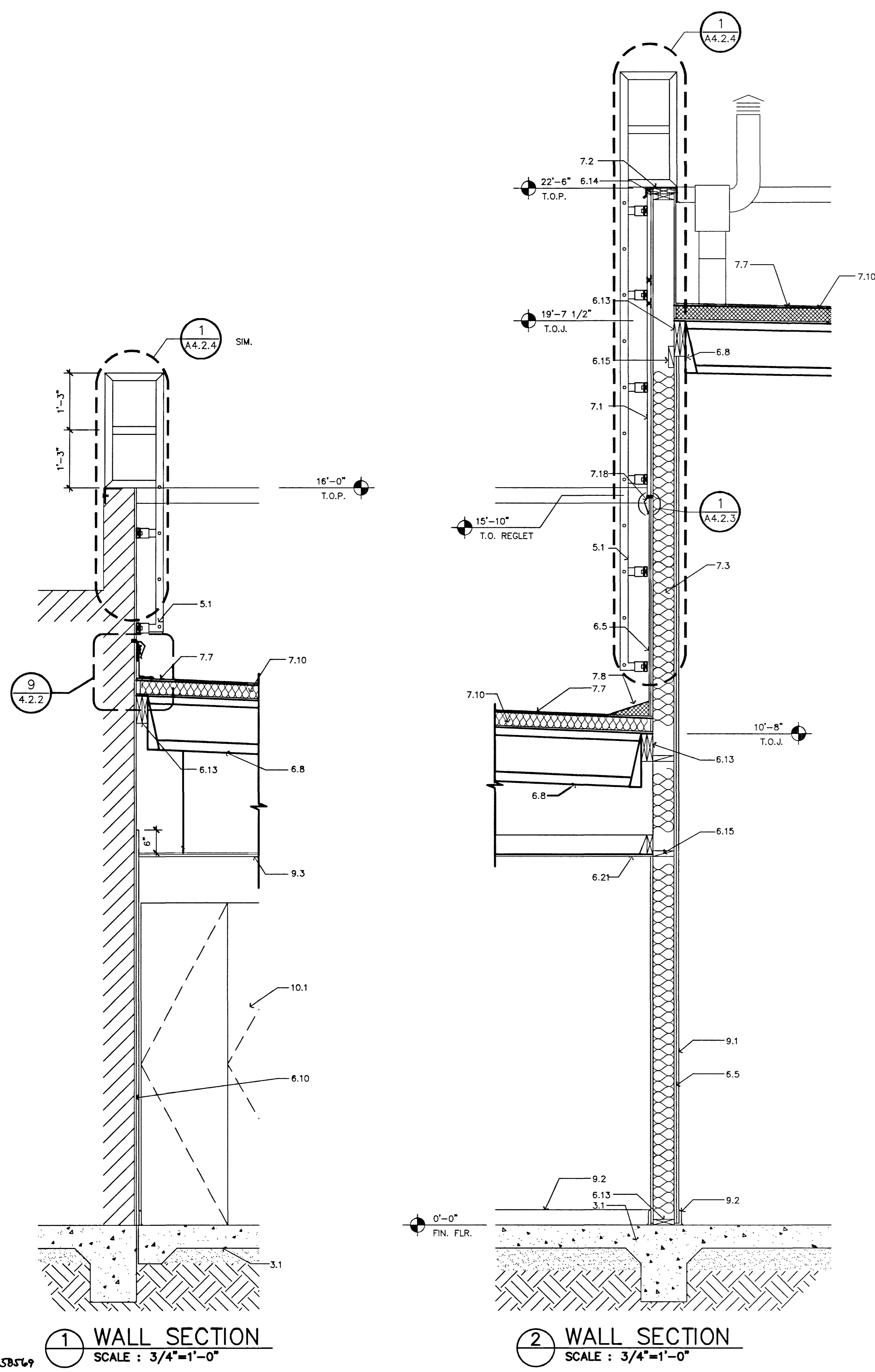
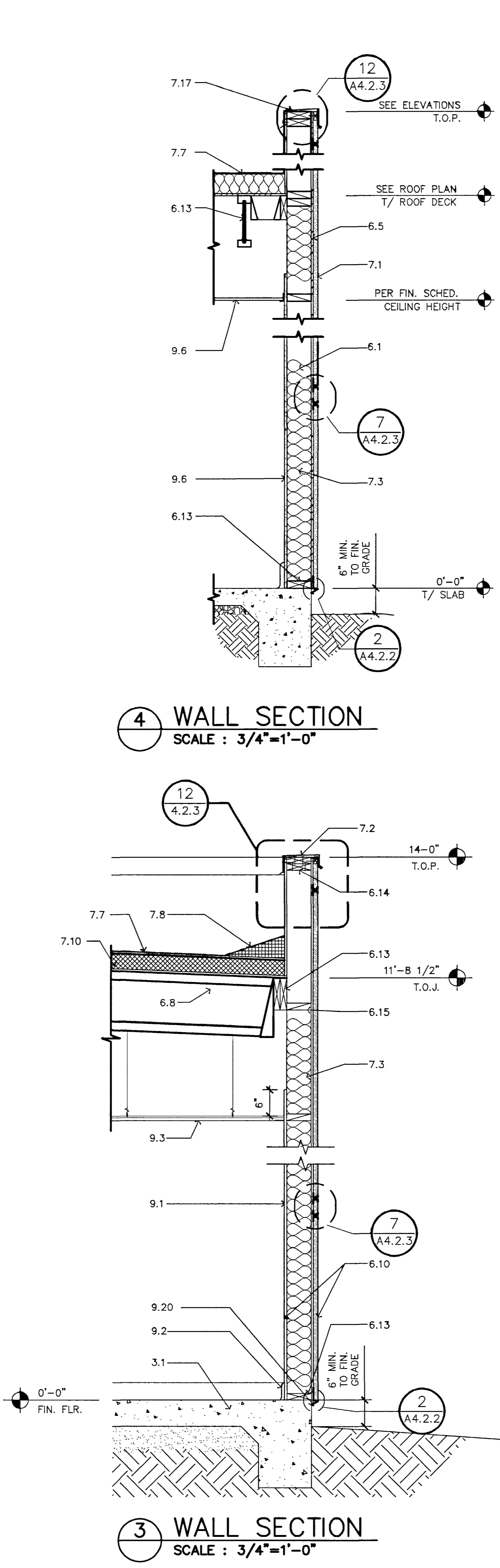


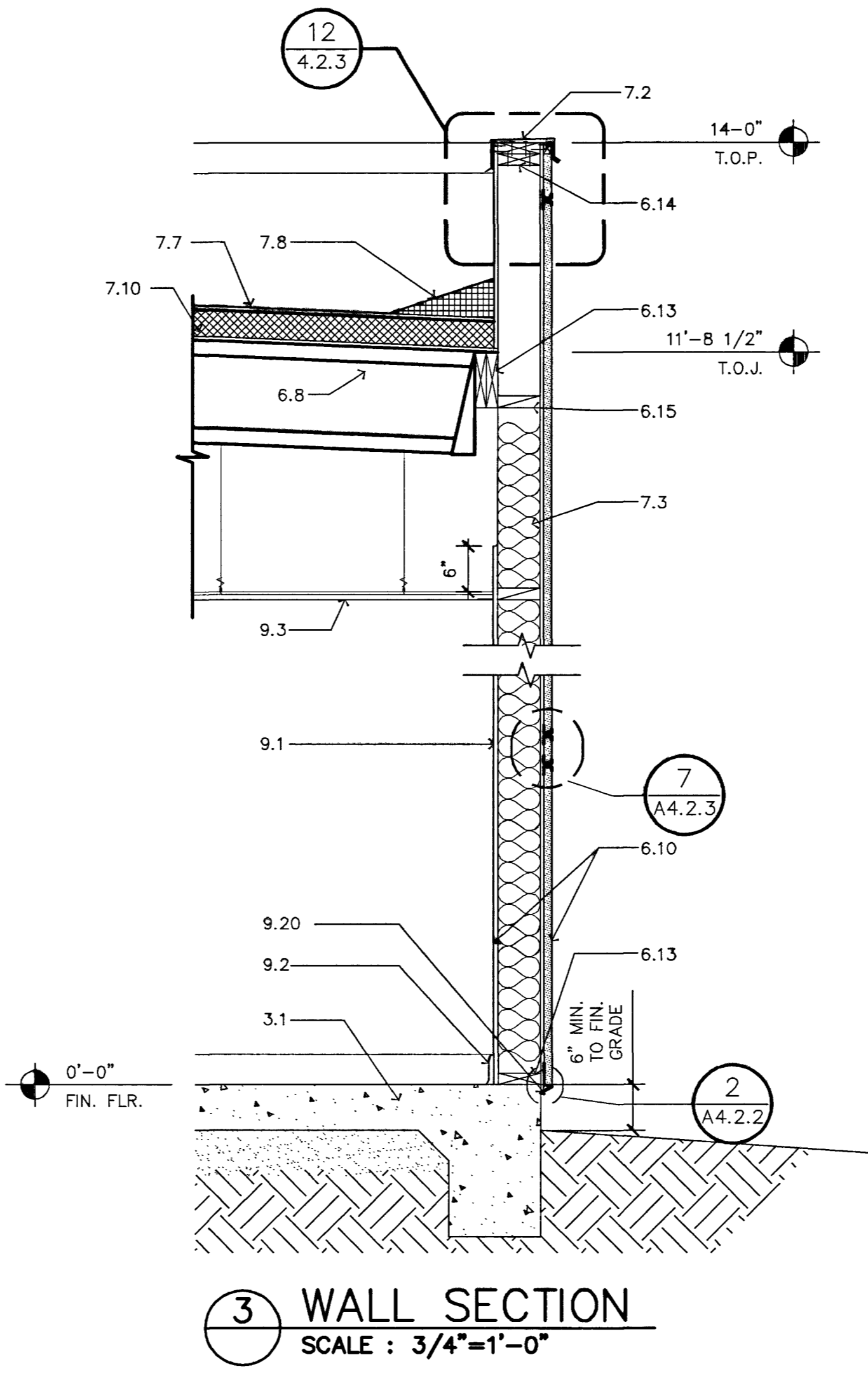
This document, including the ideas and designs it contains, is an instrument of professional services rendered by the Architect / Engineer. This document may not be used or copied in whole, or in part, for any purpose other than this specific project without the expressed written consent of Westar Architectural Group, Inc.



1 WALL SECTION
 SCALE : 3/4"=1'-0"



2 WALL SECTION
 SCALE : 3/4"=1'-0"



3 WALL SECTION
 SCALE : 3/4"=1'-0"

RECORD DRAWINGS
 AS BUILT INFORMATION WAS PROVIDED BY THE CONTRACTOR. WESTAR ARCHITECTURAL ASSUMES NO LIABILITY FOR ACCURACY OF ITS CONTENTS.

- KEYNOTES:**
- SITE**
 - 1 GRANULAR CUSHION
 - 2 CONCRETE APRON
 - 3 FLAG POLE LIGHT SENSOR & ELEC. UNDERGROUND CONDUIT OUTLET (F.S. #2 ONLY)
 - 4 6" DIA. CONCRETE FILLED STEEL PIPE BOLLARD
 - CONCRETE**
 - 1 CONCRETE SLAB - REFER TO STRUCTURAL
 - 2 FASTEN TO CONCRETE WITH SHOT PINS @ 24" o.c.
 - 3 EXISTING CONCRETE SLAB
 - 4 PROVIDE LEVEL LANDING AT DOOR, STATION #2 & #7, SEE CIVIL DWGS.
 - MASONRY**
 - 1 4" SPLIT FACE CMU VENEER - RUNNING BOND
 - 2 EXISTING CMU
 - 3 SMOOTH FACED CMU VENEER
 - 4 SPLIT FACED CMU VENEER
 - 5 SPLIT FACED- SINGLE SCORED CMU VENEER
 - 6 THINSET MORTAR BED
 - METALS**
 - 1 STEEL LADDER ASSEMBLY
 - 2 W-MOLD
 - 3 G1 HANGER AT EACH END.
 - 4 SIMPSON Z - CLIPS TO TRUSS CHORDS - 2 X FLAT BLOCKING @ 24" o.c.
 - 5 SIMPSON STC CLIP TO BLOCKING
 - 6 FASTEN WITH SELF TAPPING SCREWS
 - 7 FASTEN WITH SHOT PINS @ 24" o.c.
 - 8 TERMINATION BAR FASTENER
 - 9 FASTENER & PLATE @ 12" o.c.
 - 10 EVAP. COOLER SCREEN ON STATION #7 ONLY
 - 11 PLYWOOD EDGE NAIL
 - 12 NAILING PER STRUCTURAL
 - 13 DROP ROD BRACKET BY MANUFACTURER, TYPICAL OF 3
 - 14 5/8"x5" SCREW HOOK, TYPICAL OF THREE
 - 15 3"x3"x1/4" METAL ANGLE, FILED OUT AS NECESSARY. SEE A3.2.2 FOR LOCATION.
 - 16 EXPANDED METAL FENCE, FILED CUT AS REQUIRED.
 - 17 SELF LATCHING, ELECTROPLATED ZINC.
 - 18 1/8"x5" GALVANIZED SCREWS
 - 19 1/2"x5" GALVANIZED NUT AND BOLTS, TYPICAL OF 6 ON EACH FACE.
 - 20 2"x2"x1/4" METAL ANGLE WELDED TO FRAME.
 - 21 2"x6"x1/4" METAL ANGLE, FASTEN TO WALL.
 - 22 3/4"x5" GALVANIZED SCREW, TYPICAL OF 36.
 - 23 2"x2"x1 1/8"x1/8 THK. CUBE WELDED TO FRAME FOR LATCH.
 - WOOD AND PLASTICS**
 - 1 2x6 WOOD STUDS @ 16" o.c.
 - 2 HEADER - REFER TO STRUCTURAL
 - 3 SHIM
 - 4 2x6 SILL PLATE
 - 5 PLYWOOD SHEATHING - REFER TO STRUCTURAL
 - 6 2x4 WOOD STUDS @ 16" o.c.
 - 7 CUSTOM CABINETS
 - 8 1" JOIST REFER TO STRUCTURAL
 - 9 PLYWOOD DECK - REFER TO STRUCTURAL
 - 10 WALL PARTITION - REFER TO SHEET A4.1
 - 11 EXISTING FRAMING
 - 12 2 X BLOCKING @ 48" o.c.
 - 13 REFER TO STRUCTURAL
 - 14 DOUBLE 2X TOP PLATE
 - 15 2 X BLOCKING CONT.
 - 16 REMOVE EXISTING WINDOW & FINISH EXISTING OPENING
 - 17 1x2 WOOD STUCCO STOP
 - 18 (5) SHELVES, 16" DEEP
 - 19 BUILT-IN CABINET
 - 20 MECHANICAL UNIT SCREENWIRE ASSEMBLY, STATION #7 ONLY.
 - 21 GYPSUM BOARD ON 2x6 WOOD JOIST @ 24" O.C.
 - 22 2x2 BLOCKING AT 24" O.C.
 - 23 PROVIDE WEB STIFFENERS @ BLOCKING.
 - 24 2x FURRING
 - THERMAL AND MOISTURE PROTECTION**
 - 1 COAT STUCCO ON METAL LATH OVER WATERPROOF BUILDING FELT
 - 2 CAP FLASHING - PAINT PER EXTERIOR COLOR LEGEND
 - 3 BATT INSULATION
 - 4 SEALANT - REFER SPECS
 - 5 SEALANT AND BACKER ROD - REFER SPECS
 - 6 SIL FLASHING
 - 7 SINGLE PLY ROOFING MEMBRANE
 - 8 RIGID INSULATION CRICKET
 - 9 WALKWAY PADS - 30" X 30"
 - 10 RIGID INSULATION - MIN. 4" THICK
 - 11 FLASHING SORBIES
 - 12 1/2" COMPRESSIVE FILL
 - 13 WATER CUTOFF MASTIC
 - 14 BONDING ADHESIVE
 - 15 REINFORCED MEMBRANE
 - 16 HOT AIR WELL
 - 17 CONTINUOUS COUNTER FLASHING
 - 18 FRY - REGLET
 - 19 REMOVE EXISTING STUCCO TO STUDS OR SHEAR WALLS TO TOP OF NEW ROOF DECK
 - 20 5/8" MOISTURE RESISTANT GYP. BD., FULL HEIGHT
 - 21 5/8" MOISTURE RESISTANT GYP. BD., UP TO 4'-0"
 - DOORS AND WINDOWS**
 - 1 OVERHEAD DOOR
 - 2 ALUMINUM STOREFRONT
 - 3 1" INSULATED GLASS
 - 4 HOLLOW METAL DOOR AND FRAME
 - 5 GARAGE DOOR OPERATOR ASSEMBLY
 - 6 EXISTING FRAME TO REMAIN
 - 7 REFER WINDOW SCHEDULE
 - 8 REFER DOOR SCHEDULE
 - 9 NOT USED
 - 10 NOT USED
 - 11 NOT USED
 - 12 NOT USED
 - 13 PROVIDE DOOR WITH CLASSROOM LOOKSET
 - 14 REMOVE EXISTING FIXED WINDOW ASSEMBLY AND PATCH OPENING AND FINISH TO MATCH ADJACENT WALL FINISH
 - FINISHES**
 - 1 5/8" GYPSUM BOARD
 - 2 BASE PER FINISH SCHEDULE
 - 3 SUSPENDED ACOUSTICAL CEILING
 - 4 NOT USED
 - 5 EXISTING CEILING
 - 6 REFER FINISH SCHEDULE A-5.1
 - 7 METAL CORNER BEAD
 - 8 TAPE, BED & TEXTURE
 - 9 METAL EDGE BEAD
 - 10 APPLY WITH ADHESIVE
 - 11 HEAVY DUTY COAT HOOKS (4) @ 72" A.F.F.
 - 12 3 STAINLESS STEEL OPEN WIRE WALL SHELVES
 - 13 WALL HUNG COUNTER WITH FRONT SKIRT
 - 14 60" X 36" BULLETIN BOARD WITH ANODIZED ALUMINUM FRAME
 - 15 4" X 4" X 4" HIGH X 8" DEEP (LAMINATE OVER 3/4" MDF) OPEN WALL RACKS FOR SMALL EMS SUPPLIES
 - 16 G.I. REVEAL
 - 17 G.I. DRIP EDGE FLASHING
 - 18 EXISTING PLYWOOD
 - 19 G.I. CONTROL JOINT
 - 20 CONTINUOUS G.I. WEEP SCREED, TYP.
 - 21 PROVIDE WHITE BLOCK LETTERING STYLE, TO MATCH EXISTING
 - SPECIALTIES**
 - 1 BUILT-IN LOCKER CABINETS
 - 2 SINGLE "WHITE" COAT HOOK
 - 3 WHITE LETTERING TO MATCH EXISTING
 - 4 WALL TO WALL HEAVY DUTY CHROME 1" DIAMETER CURTAIN ROD BY CONTRACTOR
 - EQUIPMENT**
 - 1 INSIDE MOUNTED DUETTE BLINDS - CONTRACTOR FURNISH & INSTALL - AS SELECTED BY FIRE DEPT.
 - 2 BULLETIN BOARD
 - 3 METAL LOCKERS - CONTRACTOR FURN. & INSTALL (6) 24"x22"x22" ON 4" WOOD CURB. BY BLUE RIBBON INDUSTRIES (220-4661) COLOR HEATHER.
 - 4 WHITE BOARD 24" X 36"
 - FURNISHINGS (NIC)**
 - 1 DESK (NIC)
 - 2 WALL MOUNTED T.V. RACK (NIC) PROVIDE WALL BLOCKING
 - 3 HEAD BOARD (NIC)
 - 4 NIGHT STAND (NIC)
 - 5 BED (NIC)
 - MECHANICAL - REFER TO MECHANICAL PLANS**
 - 1 ROOF DRAIN
 - 2 OVERFLOW DRAIN
 - 3 ROOF TOP UNIT
 - 4 VEHICLE EXHAUST SYSTEM
 - 5 FLOOR SINK
 - 6 TRENCH DRAIN
 - 7 MOR SINK
 - 8 HOSE BIB WITH PORTABLE HOSE REEL (ONE LOCATION ONLY)
 - 9 TOILET PAPER DISPENSER
 - 10 FLOOR DRAIN
 - 11 MIRROR
 - 12 TRASH/TOWEL DISPENSER RECESSED
 - 13 FIRE EXTINGUISHER 5lb 3-A-1 40-B-C WALL HUNG
 - 14 ROOF DRAINS - REROUTE @ FS #2 ONLY
 - 15 RELOCATE FIRE SPRINKLER TEST VALVE & SPLASH BLOCK (F.S. #7 & #9)
 - 16 UNIT HEATER - REF. MECH
 - 17 AIR HOSE REEL - REF. MECH
 - 18 EVAPORATIVE COOLER - REF. MECH
 - 19 Q.H. DOOR MOTOR - REF. MECH
 - 20 TYPE "B" VENT - REF. MECH
 - 21 DIESEL EXHAUST SYSTEM FAN/VENT
 - 22 EXHAUST FAN
 - 23 VENT THRU ROOF
 - ELECTRICAL**
 - 1 PROVIDE ELECTRIC LATCH
 - 2 EXISTING SIGN TO REMAIN - TYPICAL OF STATION 7 & 9
 - 3 NEW STATION SIGN PER LOCATION (STATION 2, 7 & 9)
 - 4 PROVIDE 3-BOX @ 48" CONNECTED TO J-BOX ABOVE CEILING OF DISPATCH FOR FUTURE CARD READER.

WESTAR
 ARCHITECTURAL GROUP, / NEVADA INC.
 LAS VEGAS * PHOENIX
 ARCHITECTURE * PLANNING * PROJECT MANAGEMENT
 3900 MEADOWS LANE SUITE 220 LAS VEGAS, NEVADA 89107
 TELEPHONE: (702) 870-0000 FAX: (702) 870-0430

WESTAR

FIRE STATION 2, 7, & 9
 LAS VEGAS, NEVADA

| DATE | REVISION DESCRIPTION | NUMBER | DATE |
|----------|-----------------------|--------|------|
| 03/17/03 | AS BUILTS CORRECTIONS | 1 | |
| | | 2 | |
| | | 3 | |
| | | 4 | |
| | | 5 | |
| | | 6 | |
| | | 7 | |

PROJECT NUMBER: 09633
 DRAWN BY: SANW
 CHECKED BY: GJ
 DATE: AUGUST 31, 2001
 SCALE: 1/4"=1'-0"

SHEET NUMBER: 630.99
A-4.11