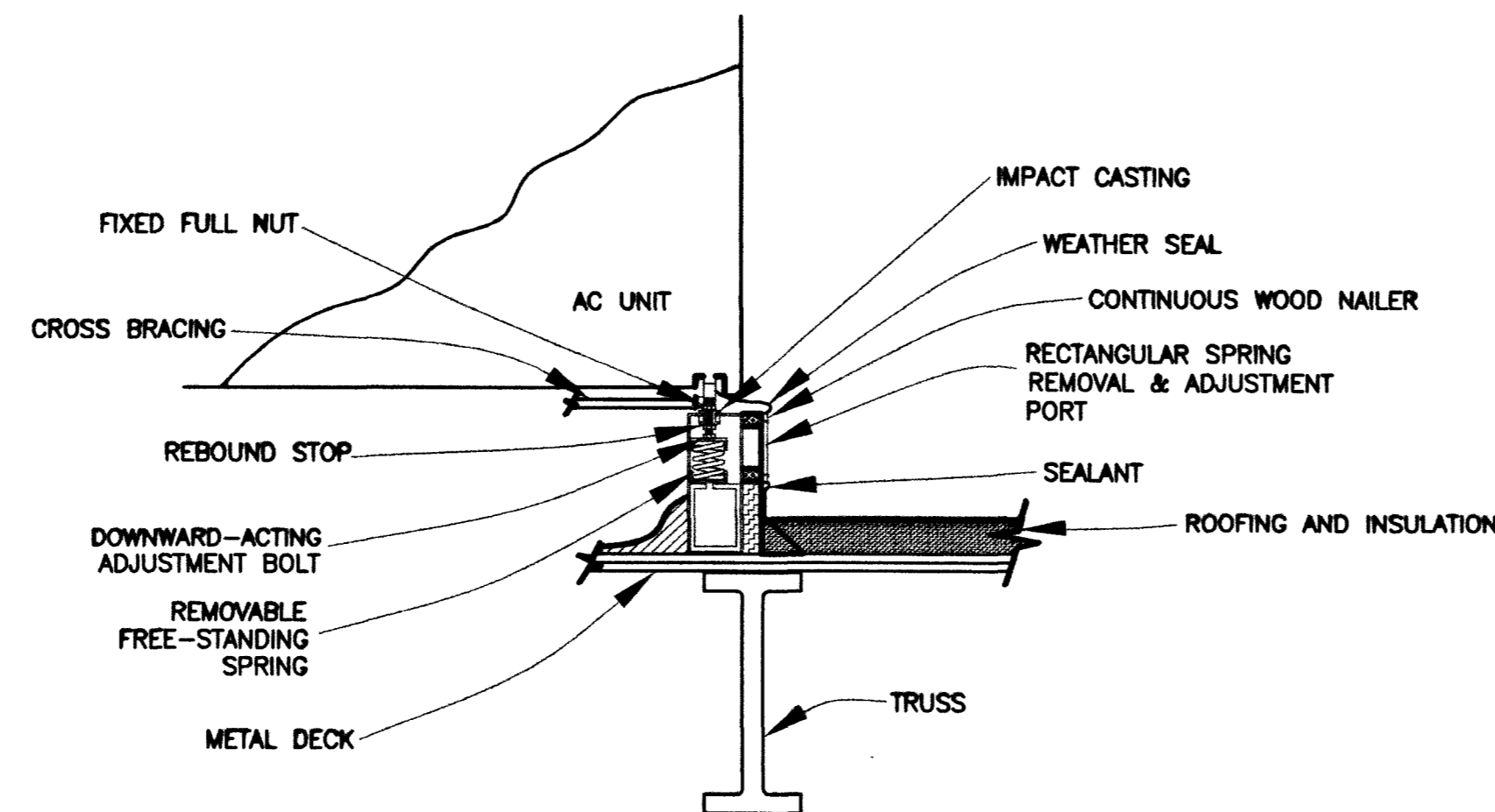
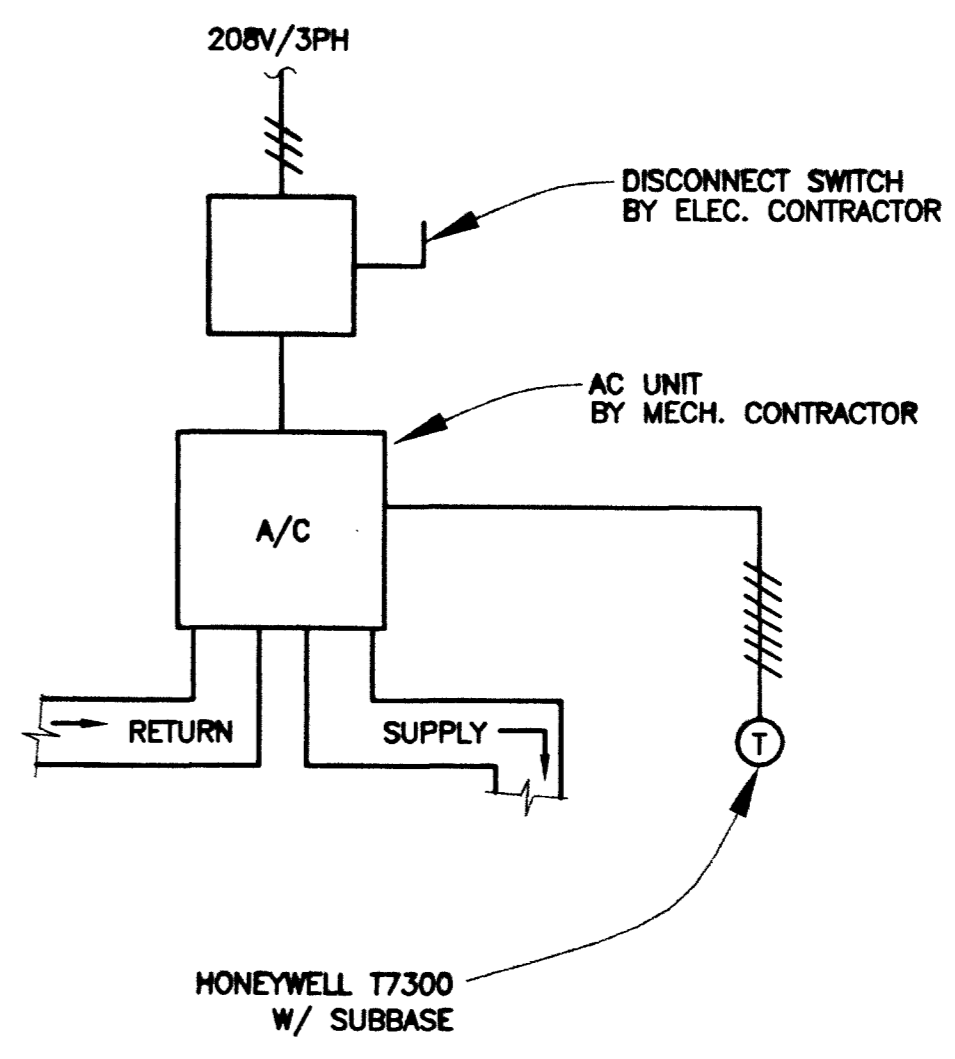


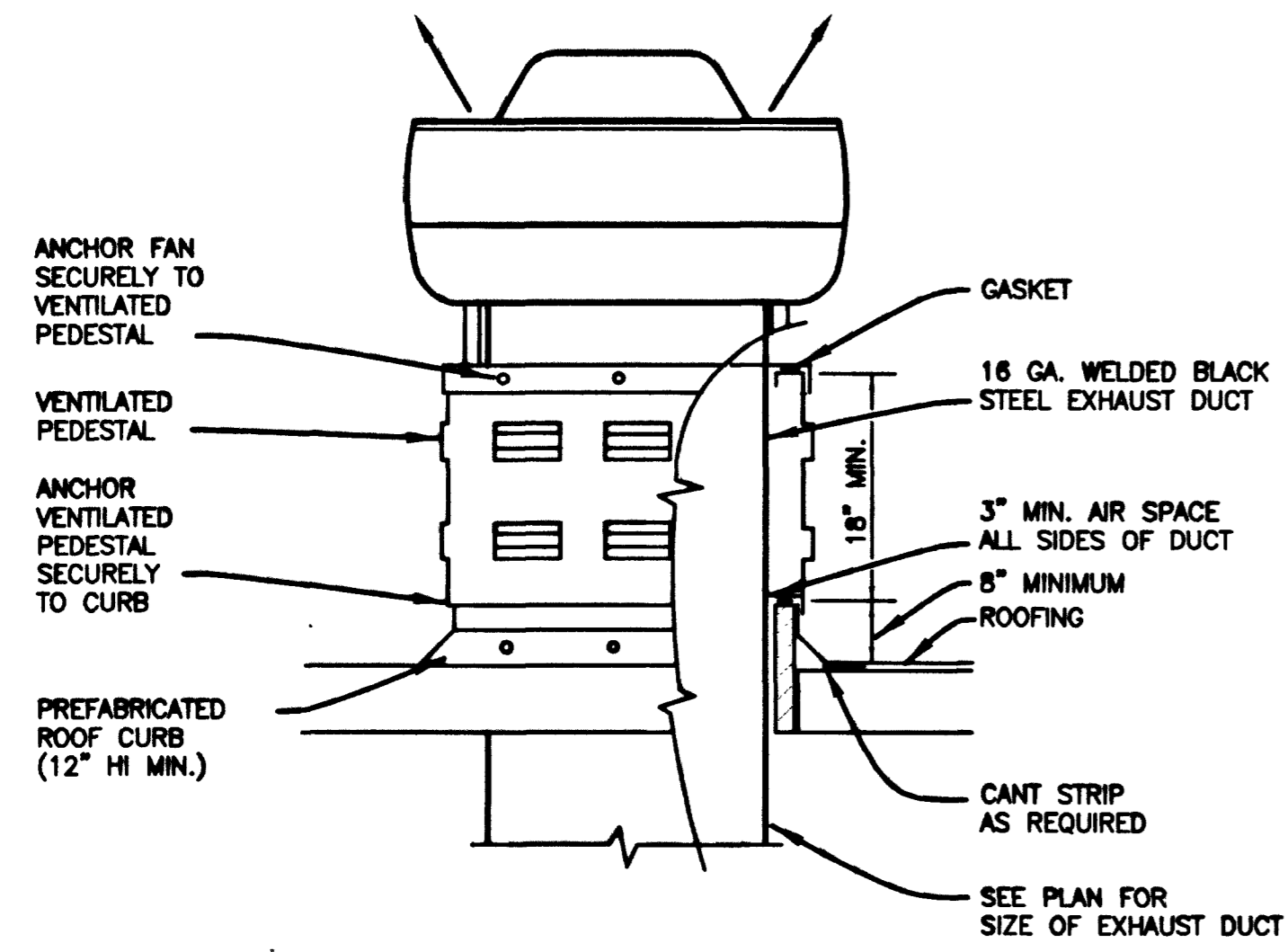
**7 DOWNBLAST EXHAUST FAN DETAIL**  
M-06 NO SCALE



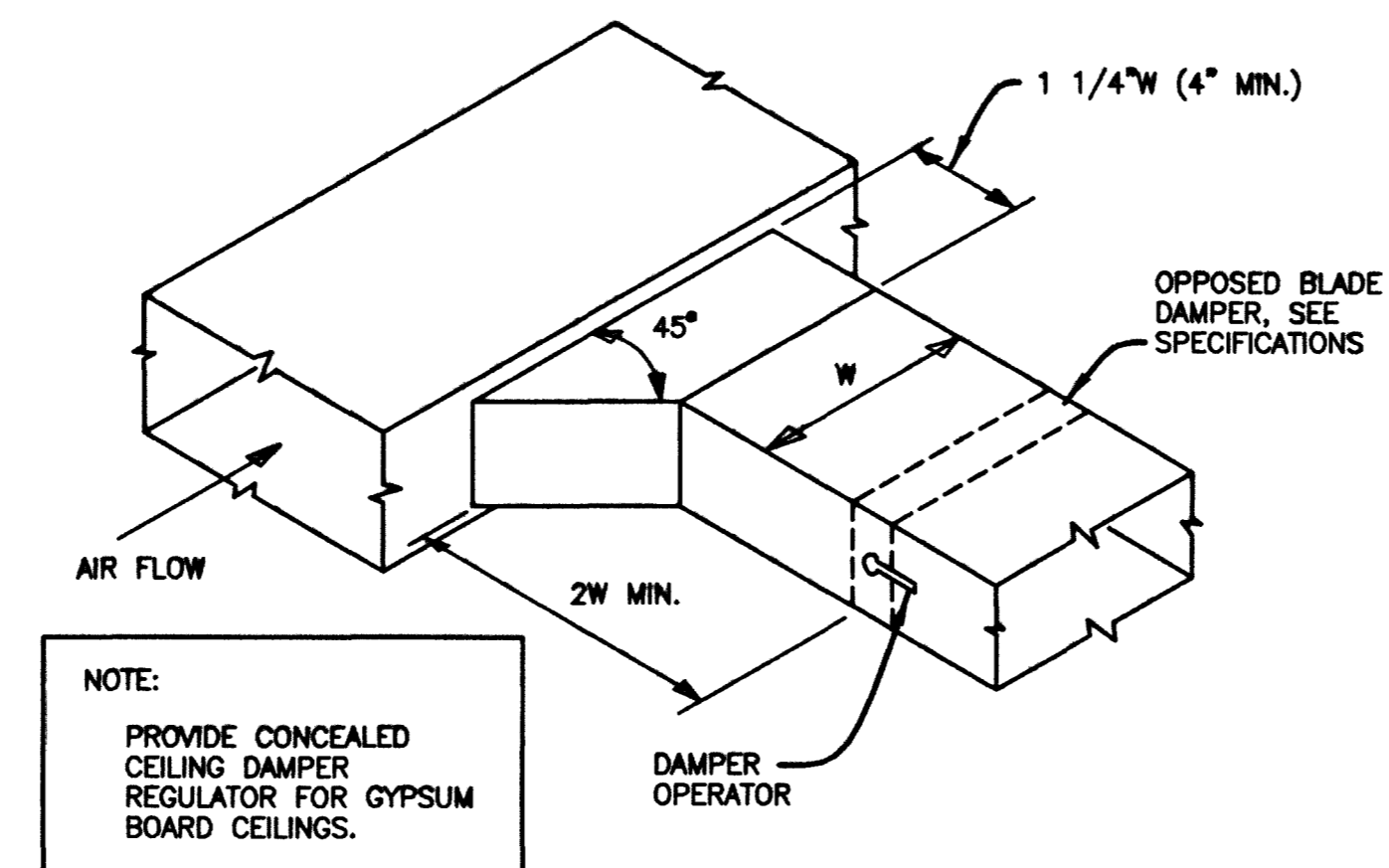
**4 ROOF CURB DETAIL**  
M-06 NO SCALE



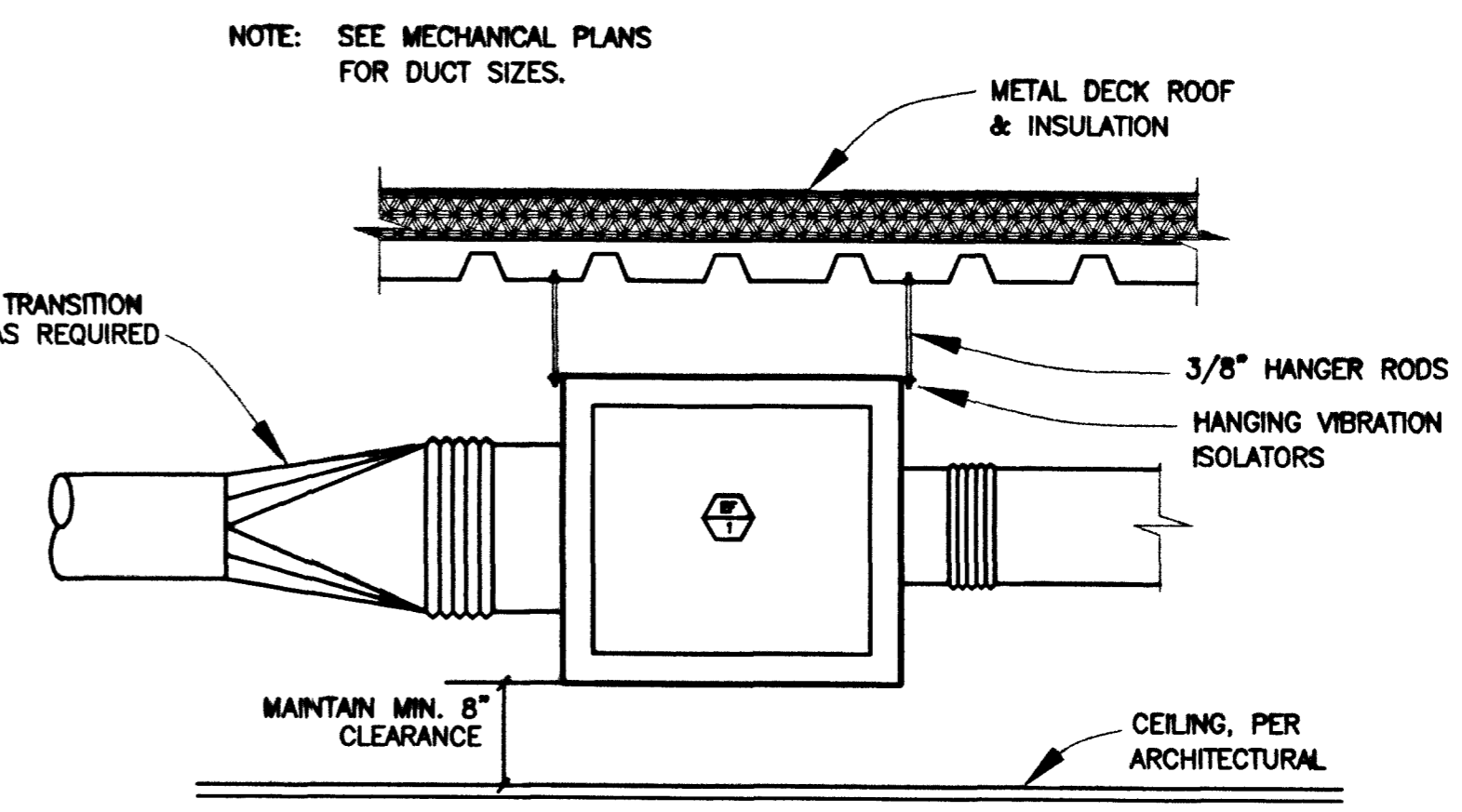
**1 AC CONTROLS DETAIL**  
M-06 NO SCALE



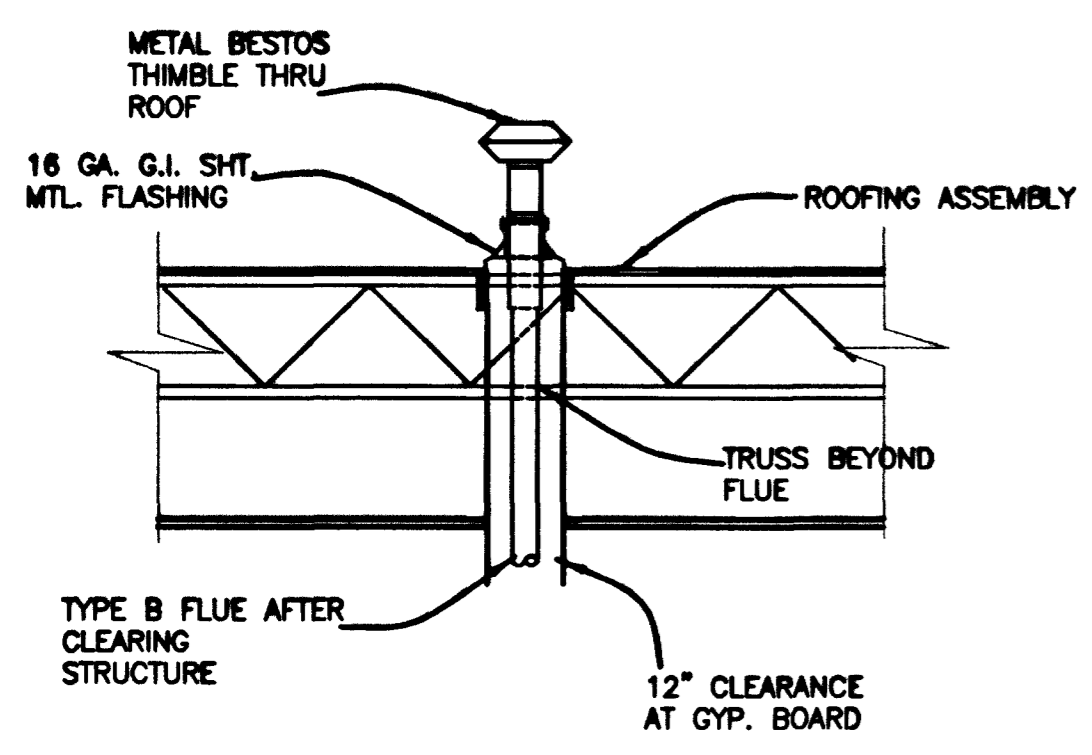
**8 ROOF MOUNTED KITCHEN EXHAUST FAN DETAIL**  
M-06 NO SCALE



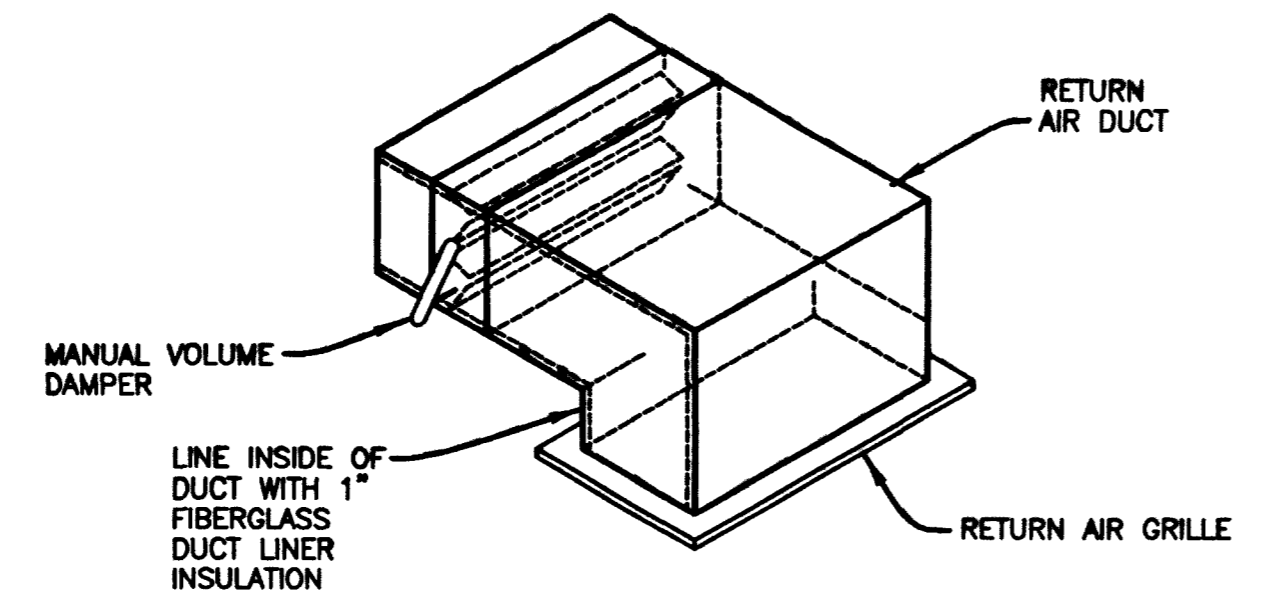
**5 BRANCH DUCT TAKE-OFF AND DAMPER DETAIL**  
M-06 NO SCALE



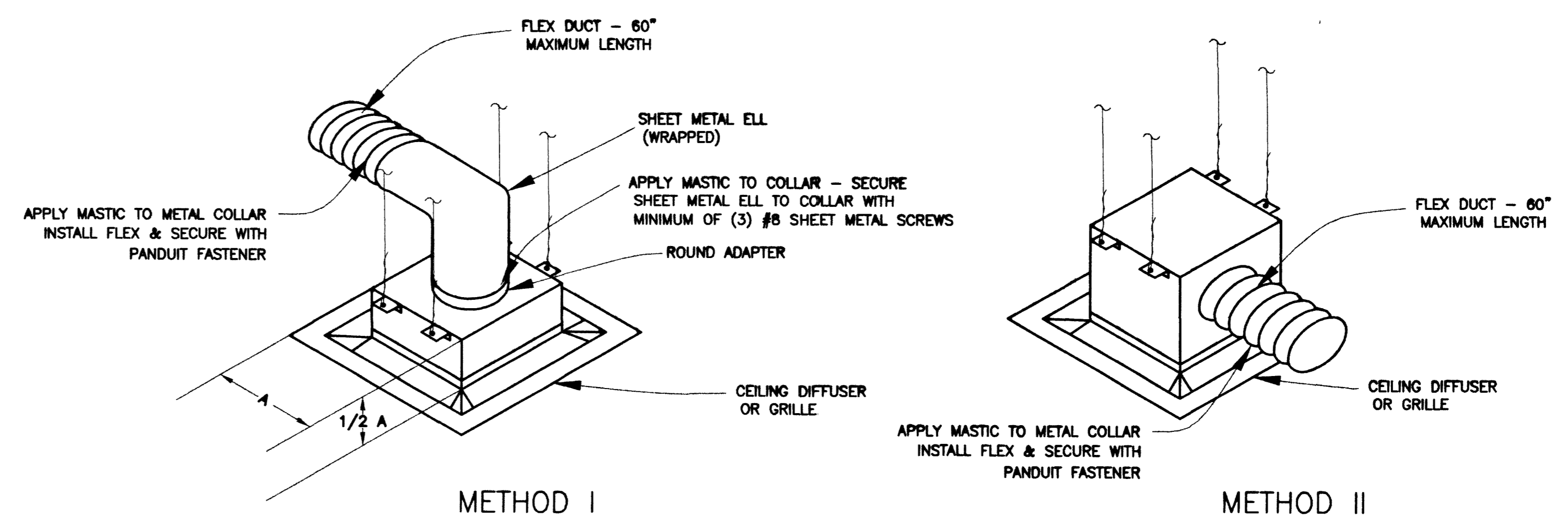
**2 INLINE EXHAUST FAN DETAIL**  
M-06 NO SCALE



**9 SECTION AT FLUE**  
M-06 NO SCALE 57302



**6 SOUND TRAP**  
M-06 NO SCALE



**3 DIFFUSER MOUNTING DETAIL**  
M-06 NO SCALE



REVISIONS  
CONSULTANT  
**DEC INC.**  
2800 36. RANCHO RD.  
LAS VEGAS, NEVADA 89108  
(702)871-6164

CITY OF LAS VEGAS, NEVADA  
FIRE STATION #44  
MECHANICAL DETAILS

DEPARTMENT OF PUBLIC WORKS  
ARCHITECTURAL SERVICES  
450 EAST STANWYD AVENUE  
LAS VEGAS, NEVADA 89101  
PHONE: (702) 229-8333  
FAX: (702) 892-2332  
TDD: (702) 896-2128

DESIGN ENGINEERING CONSULTANT  
DRAWN: JC  
FILE:  
DATE: 7/15/01  
SCALE: AS SHOWN  
PROJECT: 800F106  
SHEET NO: 800F106  
**M-06**

Q:\Projects\80000000241 FIRE STATION #44\MECH\06.dwg, 08/14/2003 03:59:16 PM, Administrator