



REVISIONS

| | | |
|-----|------|-------------|
| NO. | DATE | DESCRIPTION |
| 1 | | |

CONSULTANT

DEC INC.

2800 S. RANCHO RD.
LAS VEGAS, NEVADA 89102
(702) 871-6104

CITY OF LAS VEGAS, NEVADA
FIRE STATION #44

FRAMING DETAILS

DEPARTMENT OF PUBLIC WORKS
ARCHITECTURAL SERVICES

400 EAST STEWART AVENUE
LAS VEGAS, NEVADA 89101
PHONE: (702) 582-6333
FAX: (702) 582-6332
WWW: (702) 586-6106

DESIGN ENGINEERING CONSULTANTS

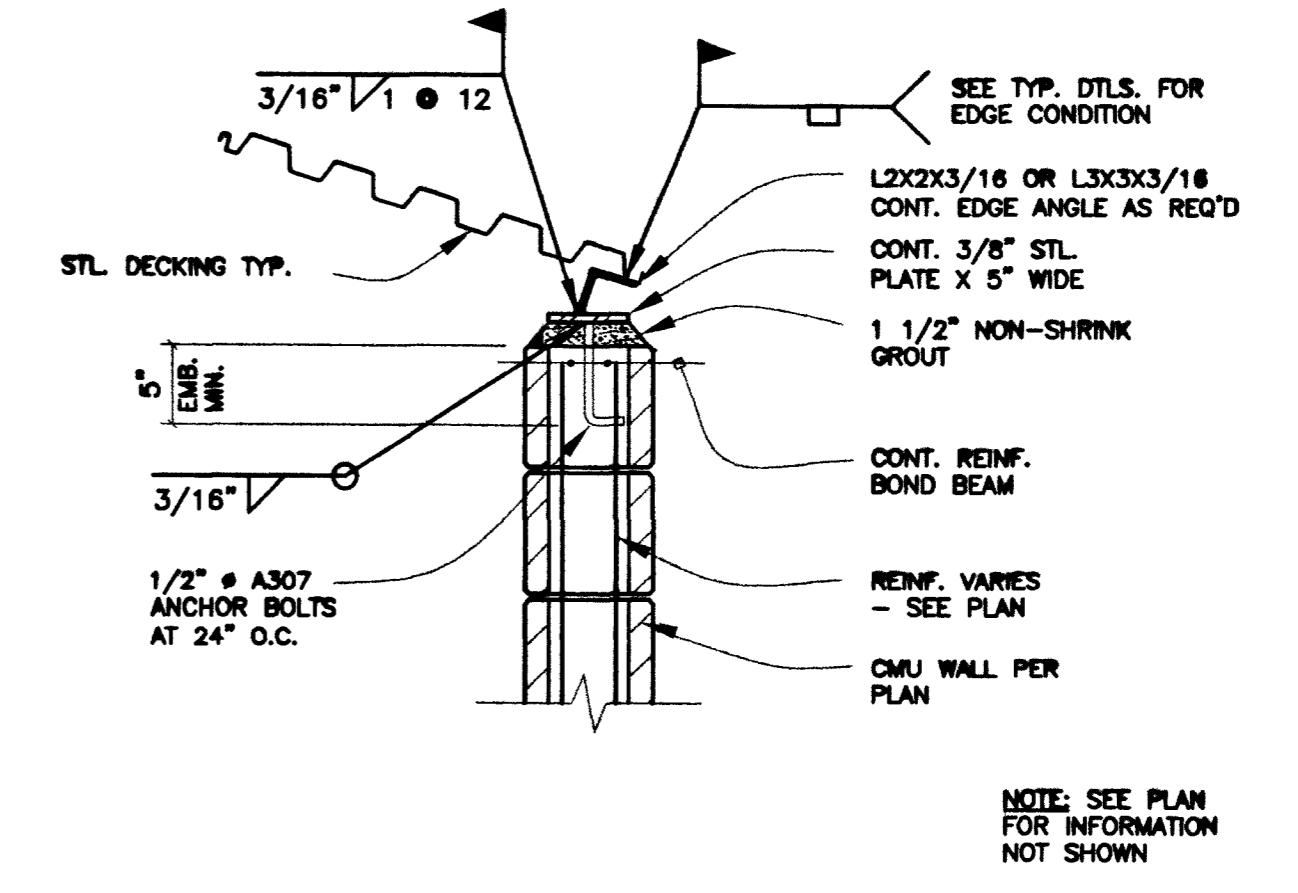
| | |
|------|------|
| DATE | FILE |
| DATE | FILE |

SCALE

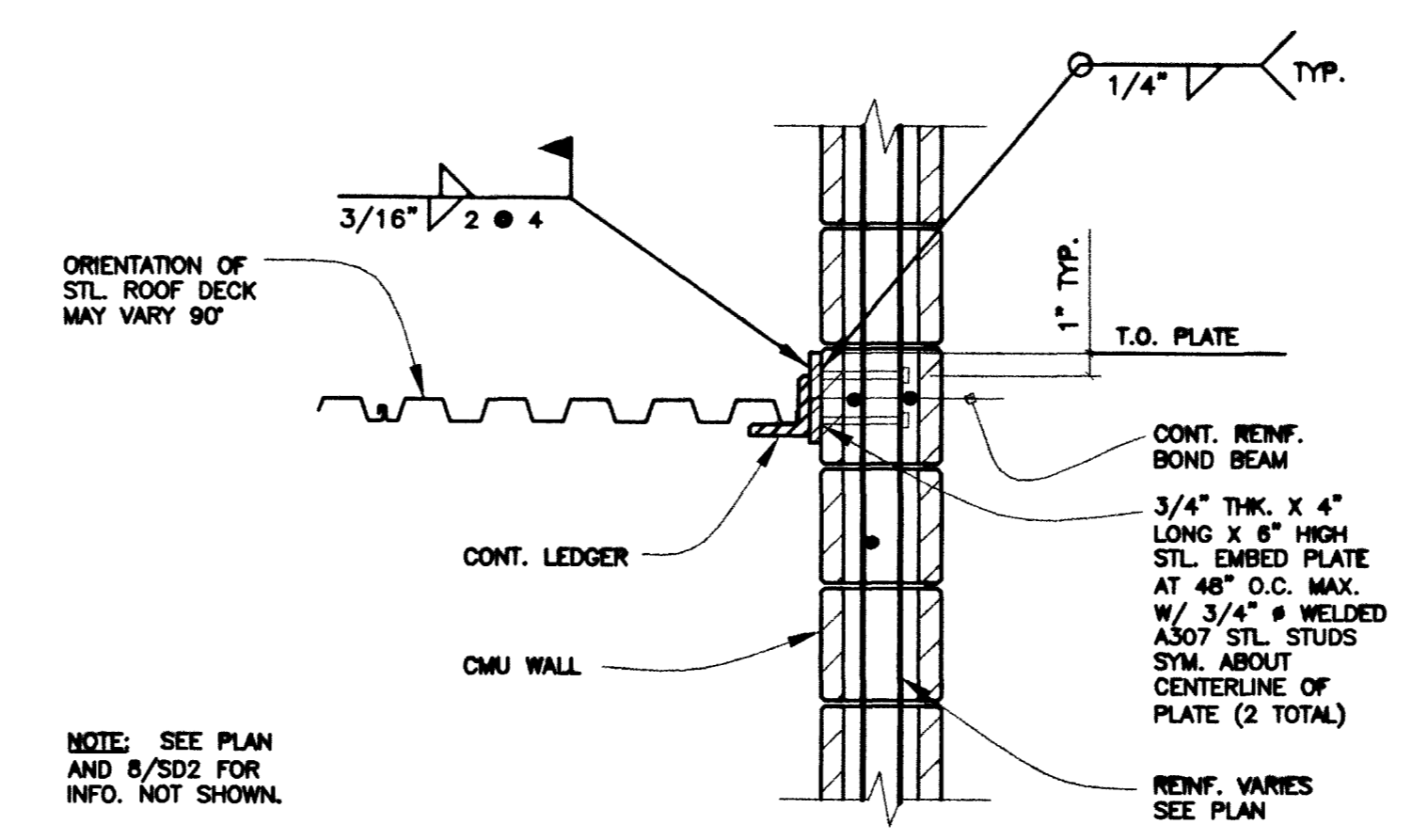
PROJECT 636.97

SHEET NO. 71 OF 06

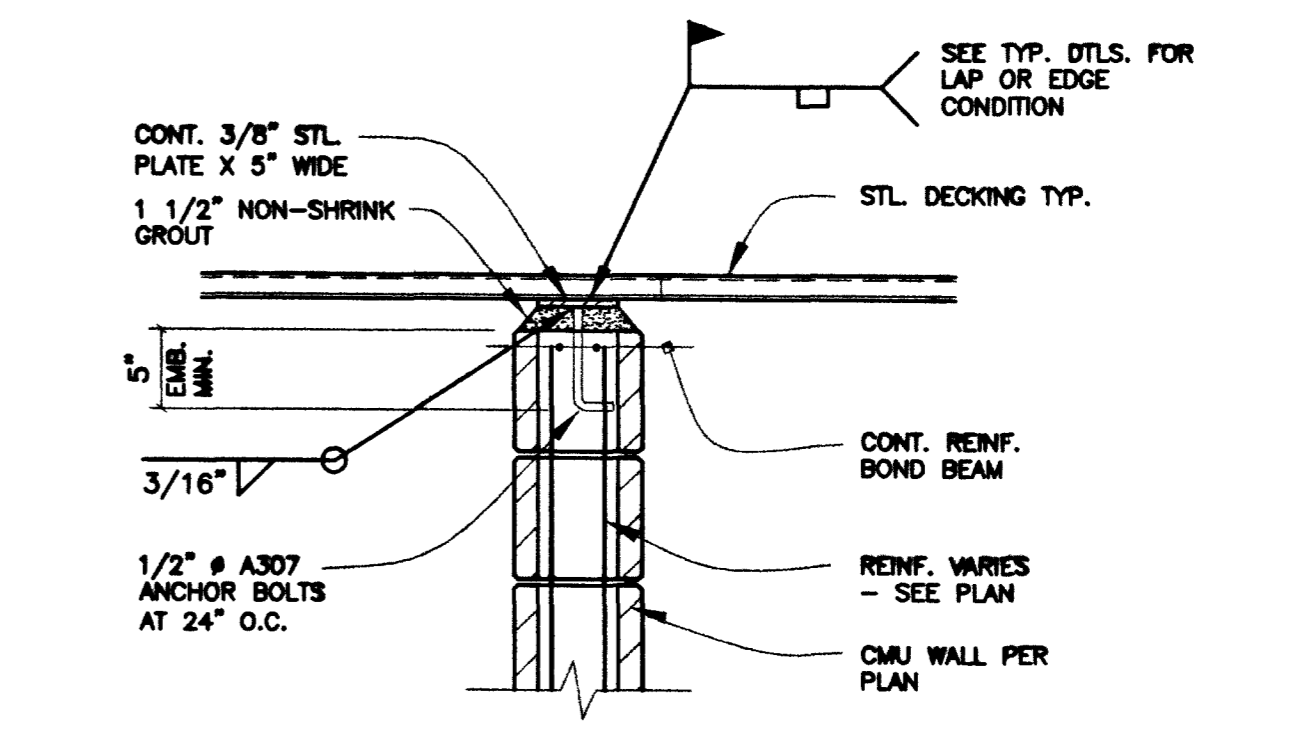
SD3



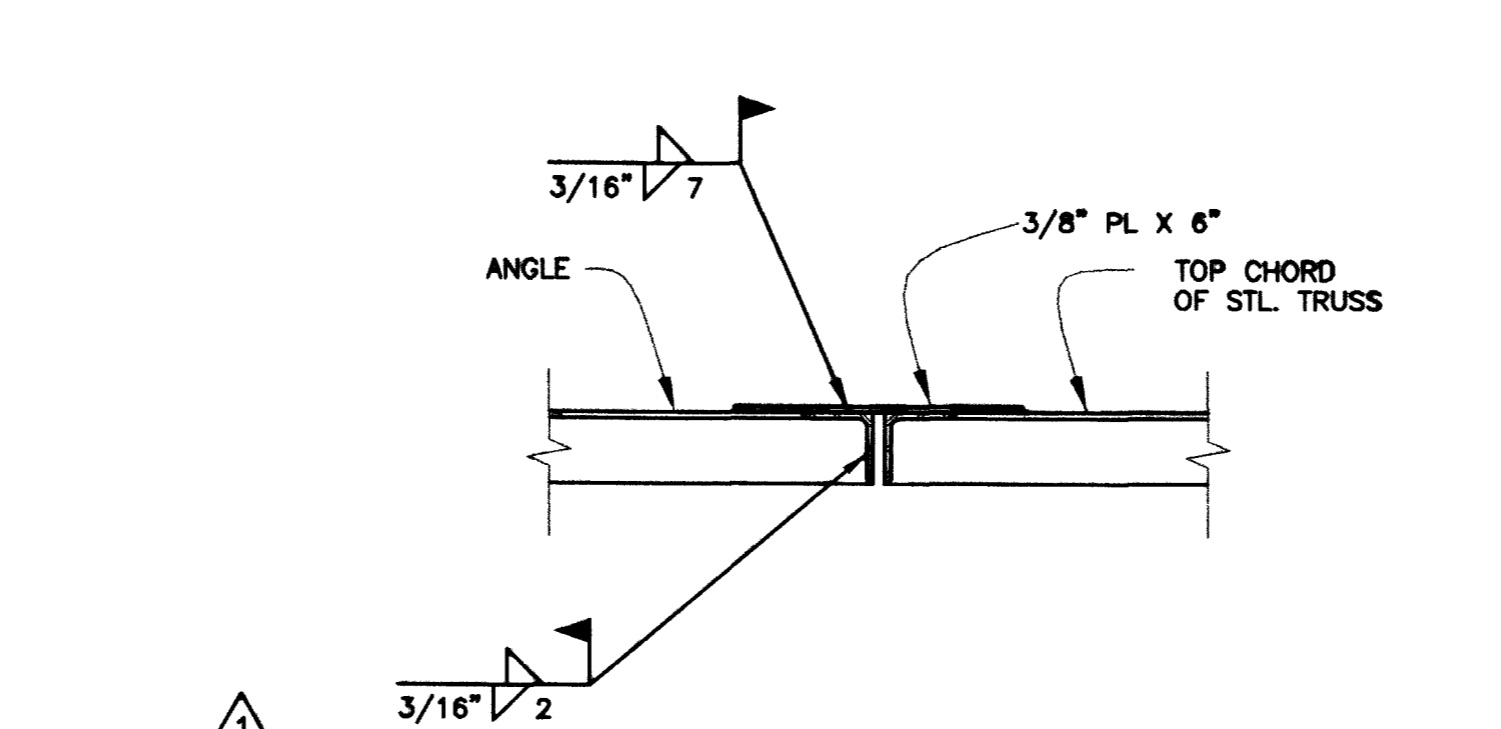
4 SECTION
1" = 1'-0"



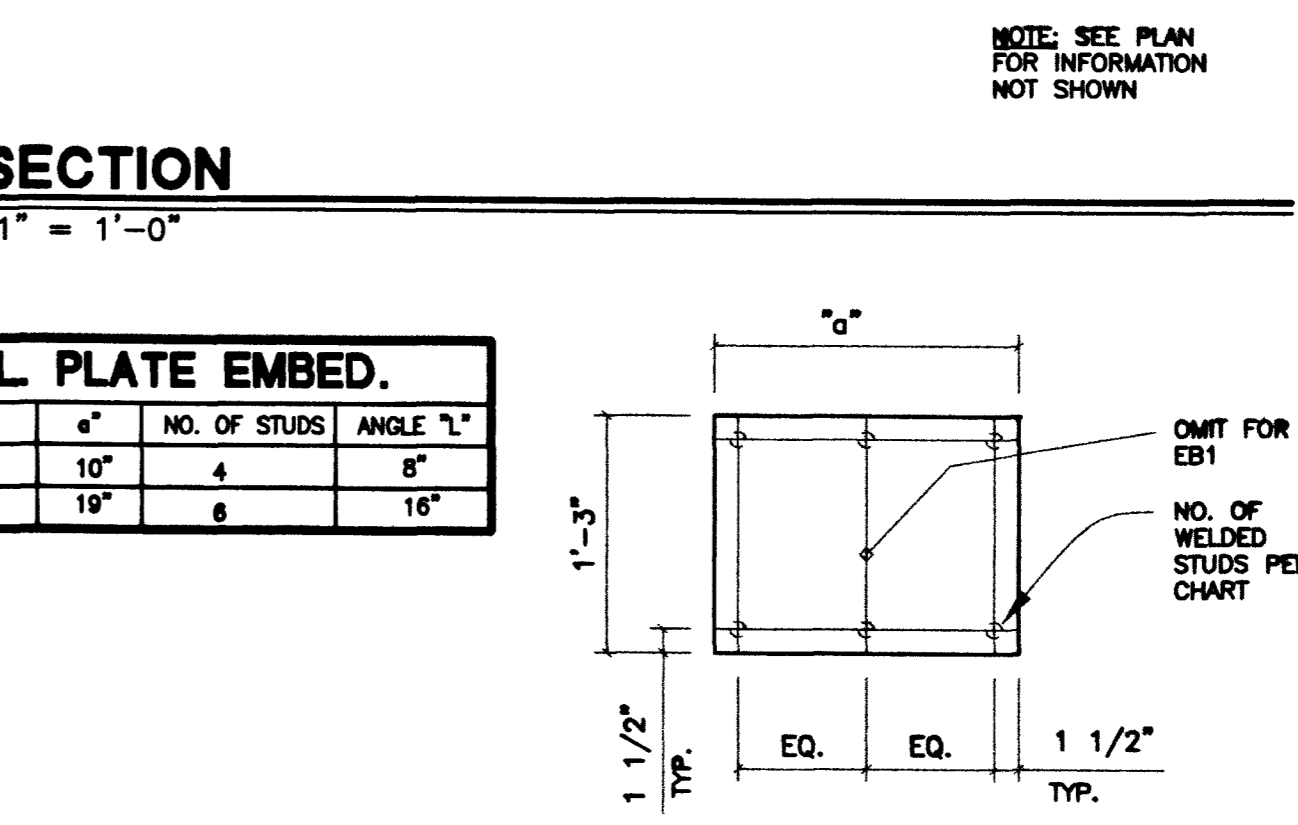
8 SECTION
1" = 1'-0"



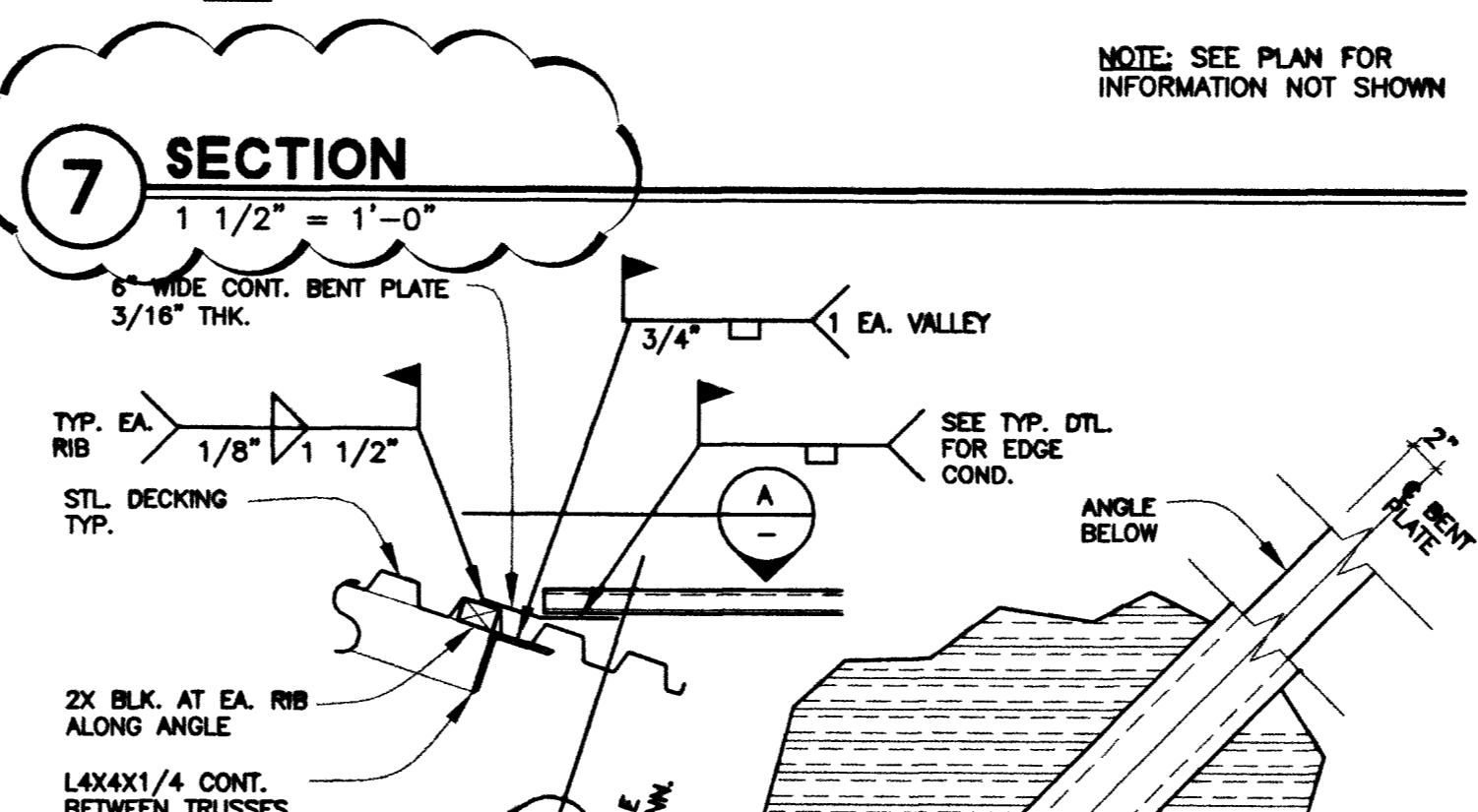
3 SECTION
1" = 1'-0"



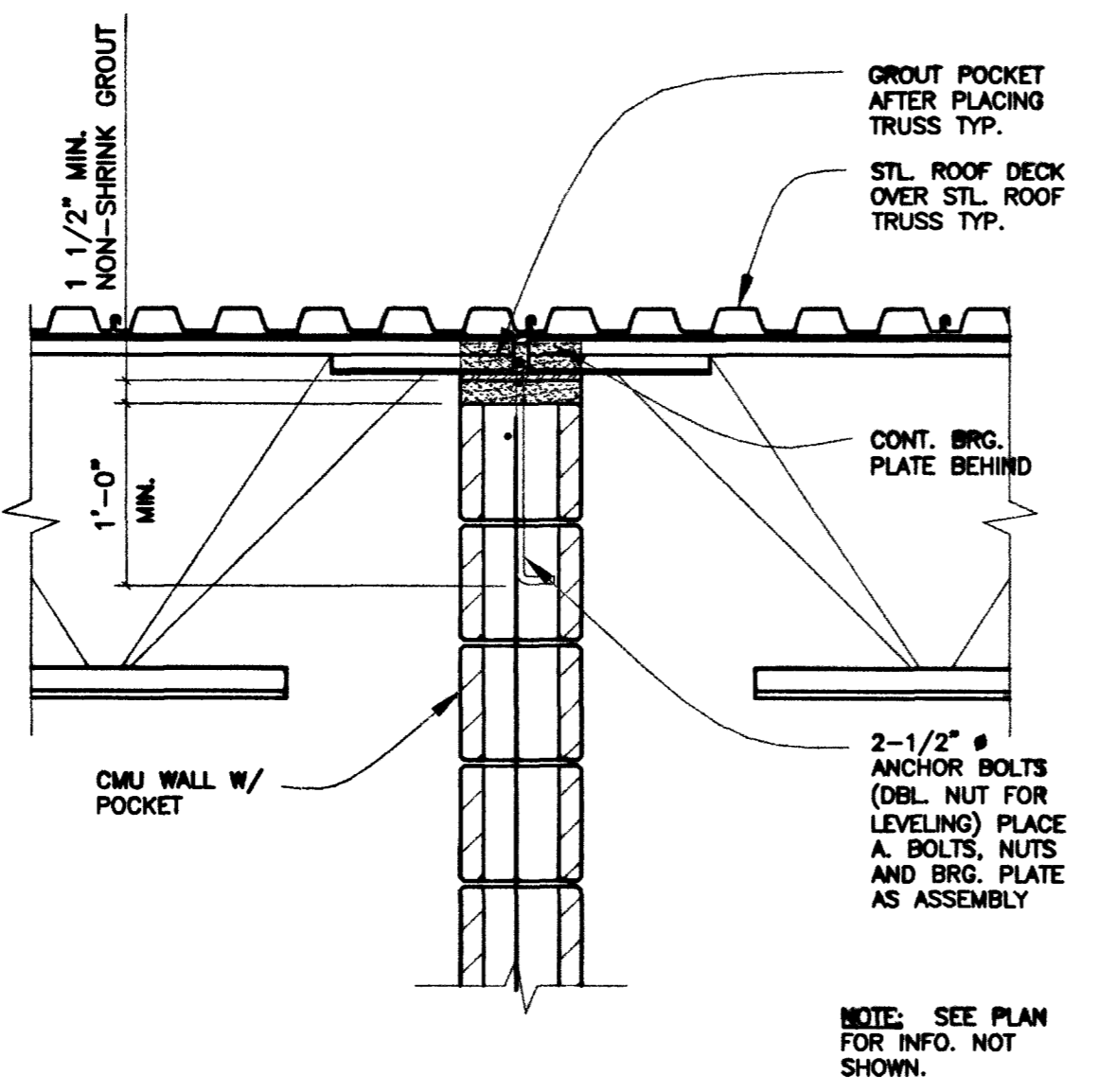
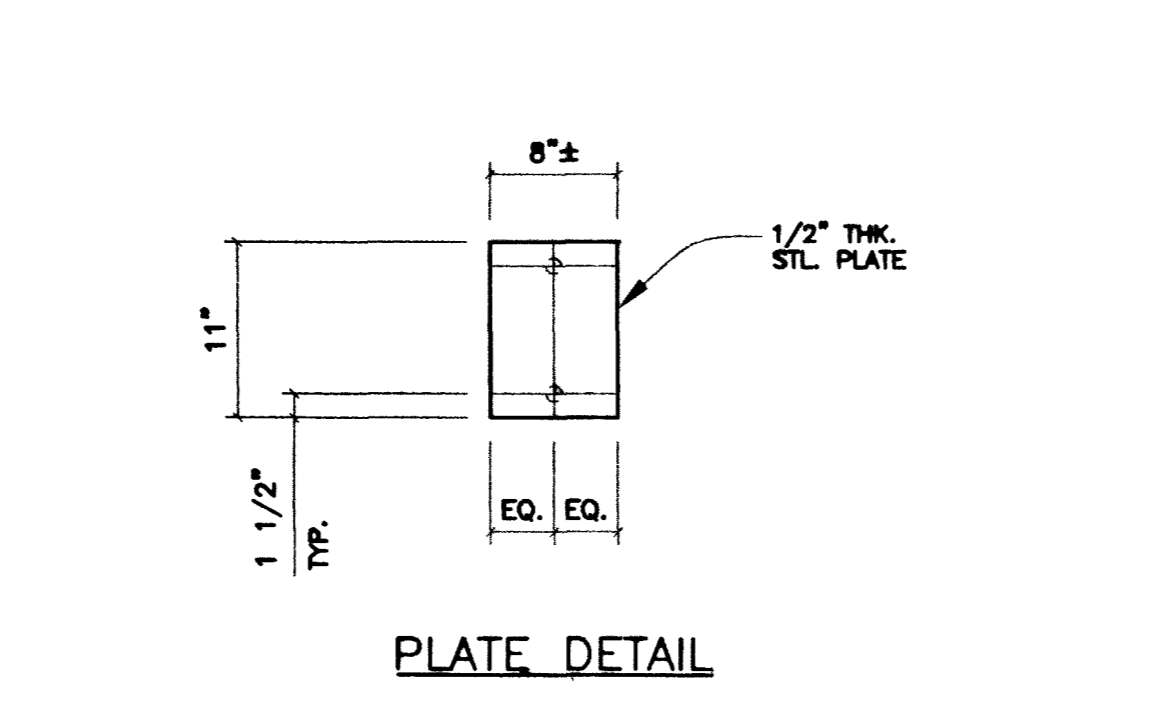
7 SECTION
1 1/2" = 1'-0"



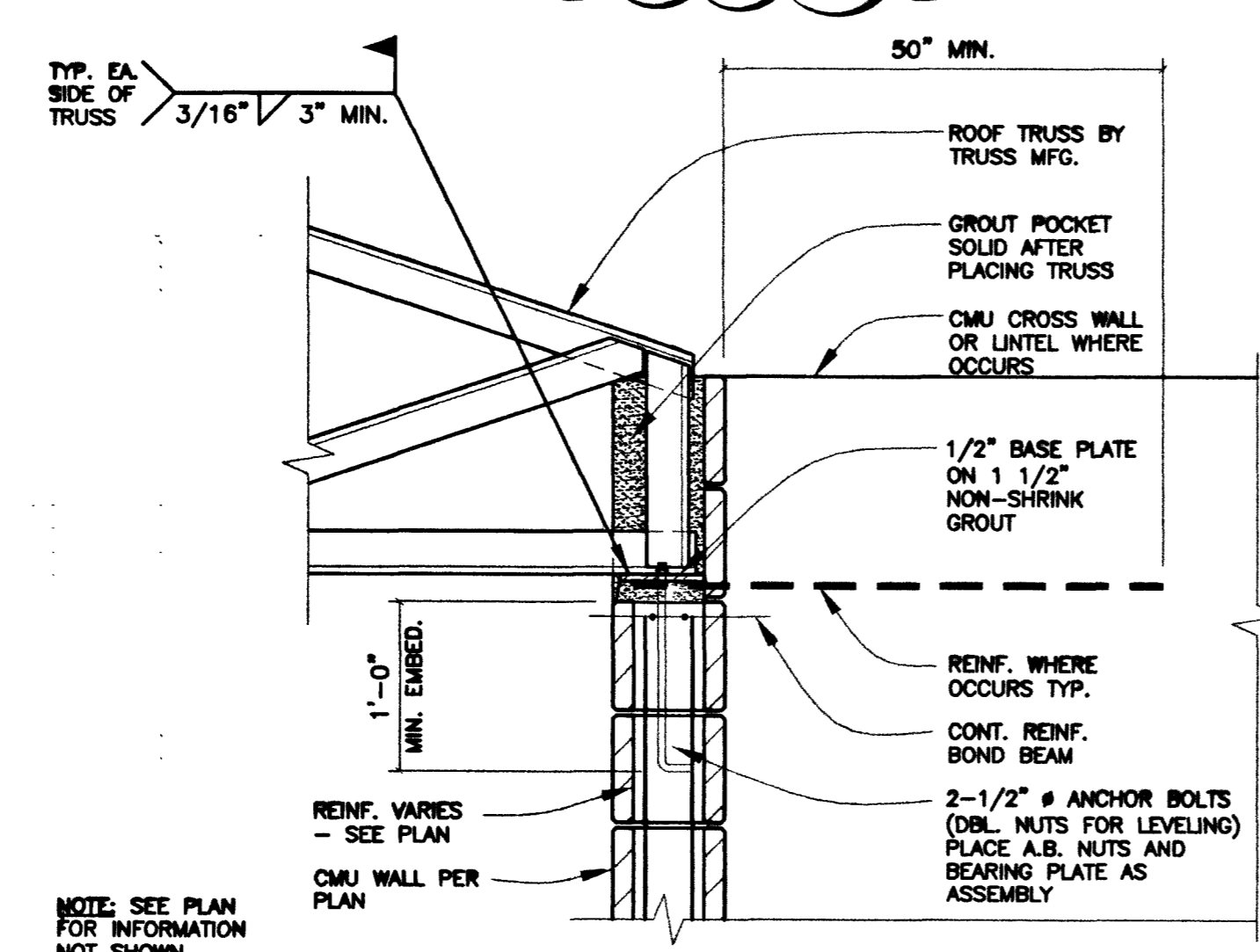
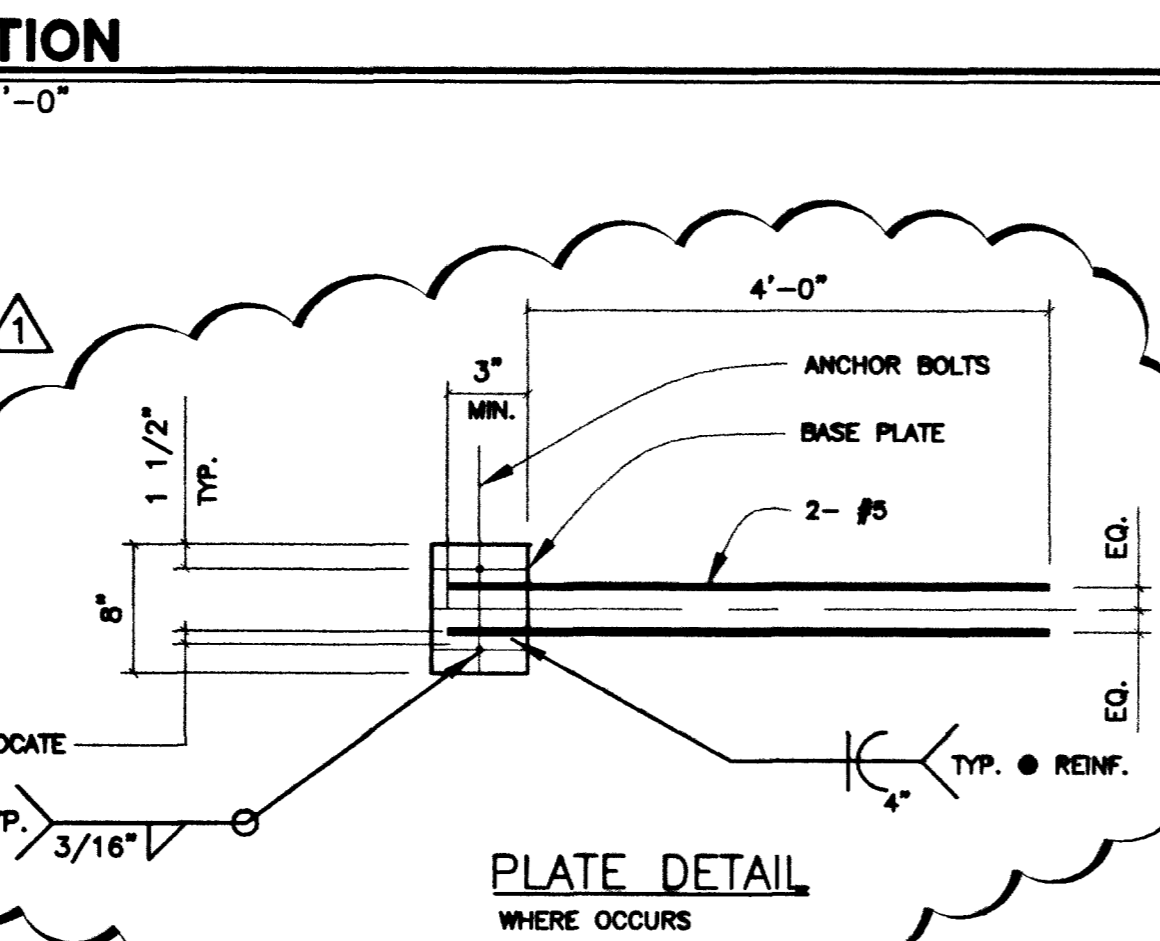
1 SECTION
1" = 1'-0"



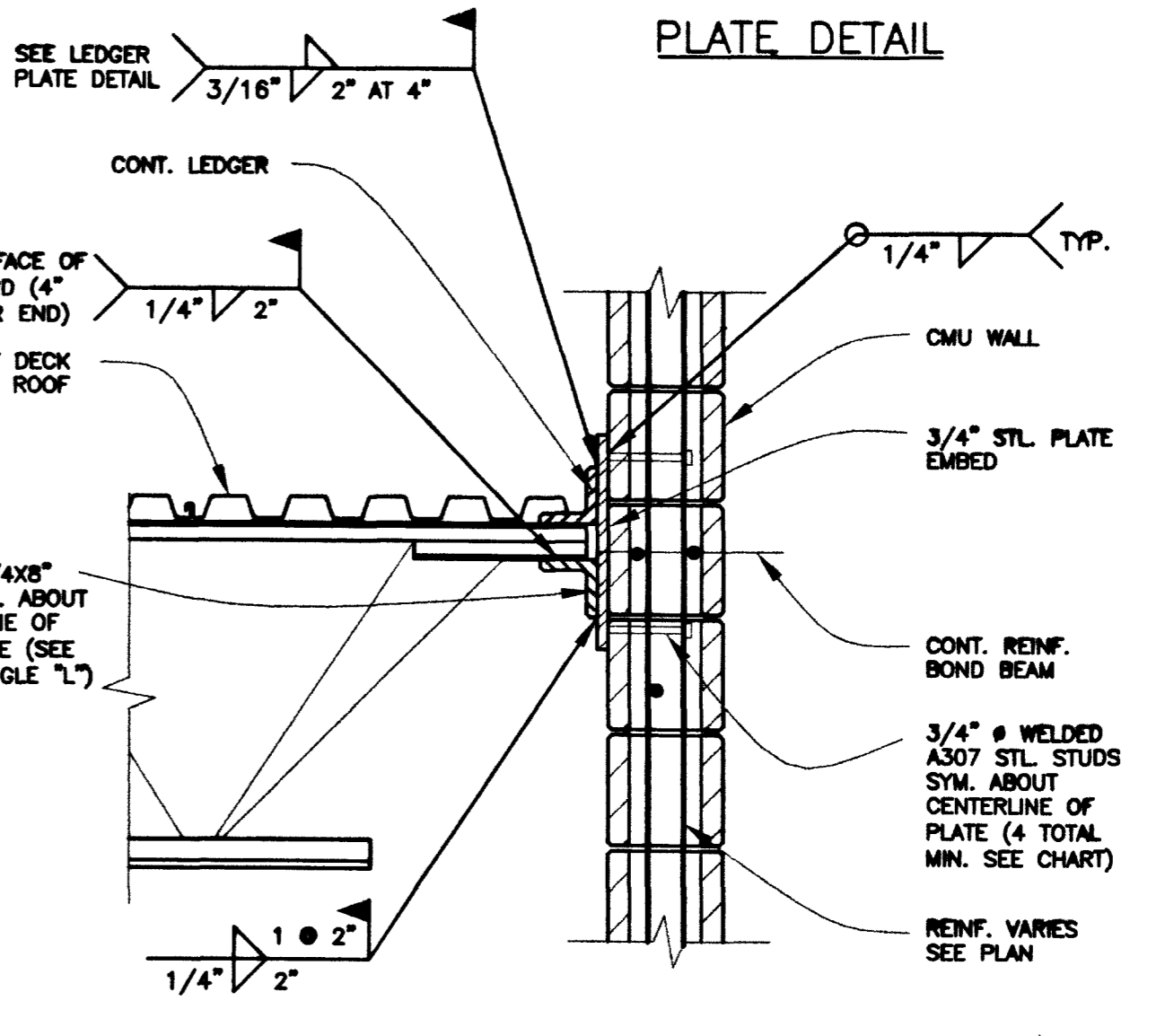
6 SECTION
1" = 1'-0"



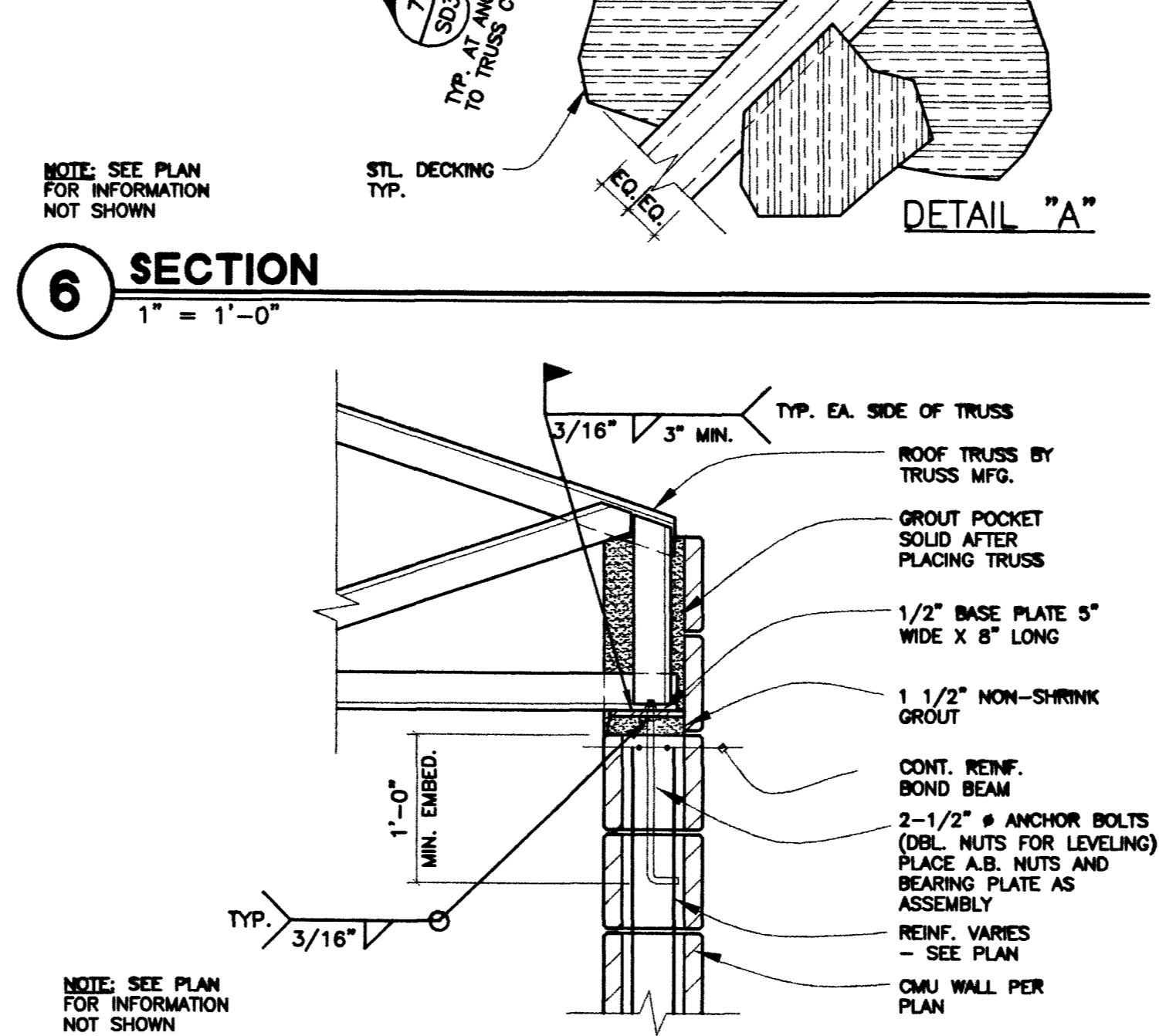
11 SECTION
1" = 1'-0"



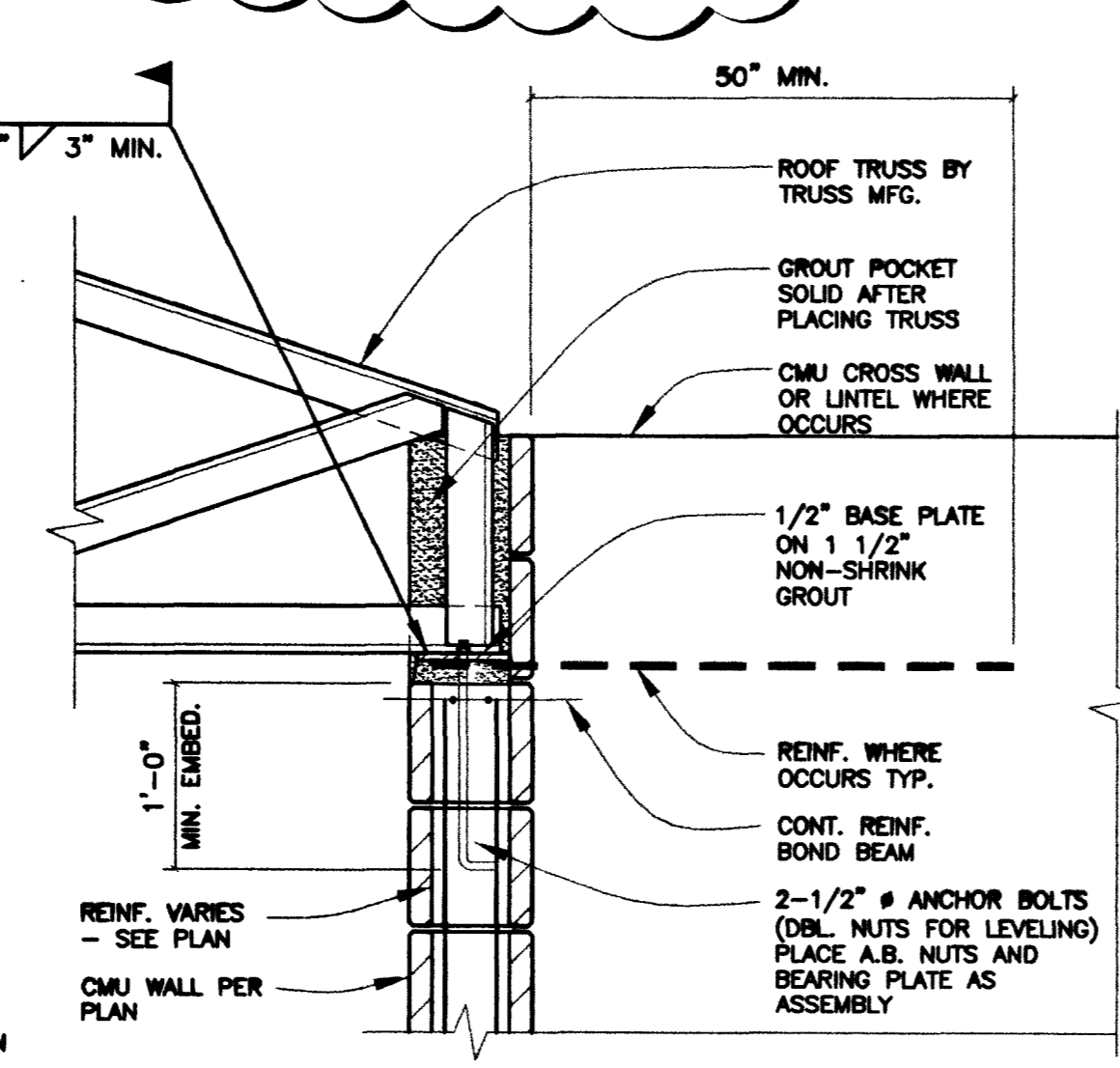
9 SECTION
1" = 1'-0"



13 SECTION
1" = 1'-0"



5 SECTION
1" = 1'-0"



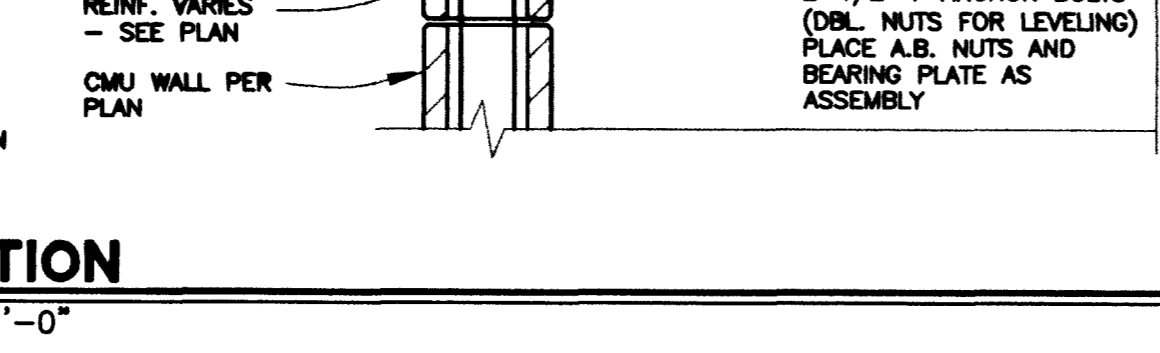
14 SECTION
1" = 1'-0"



1 SECTION
1" = 1'-0"



10 SECTION
1" = 1'-0"



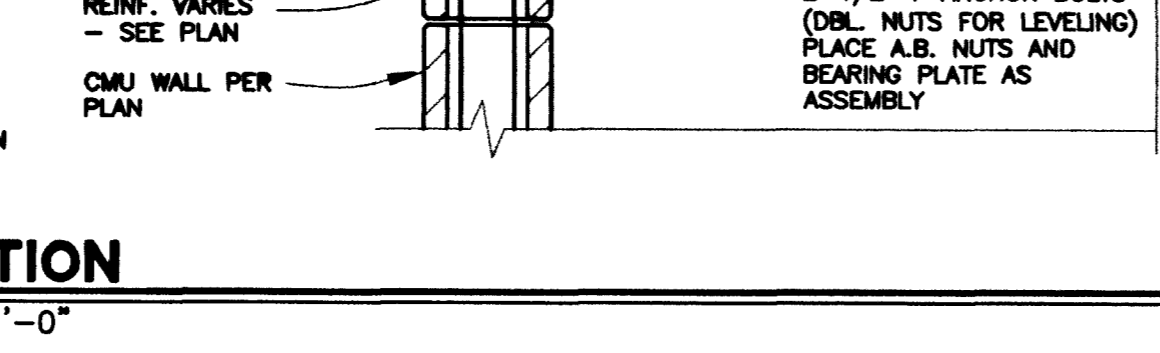
12 SECTION
1" = 1'-0"



2 SECTION
1" = 1'-0"



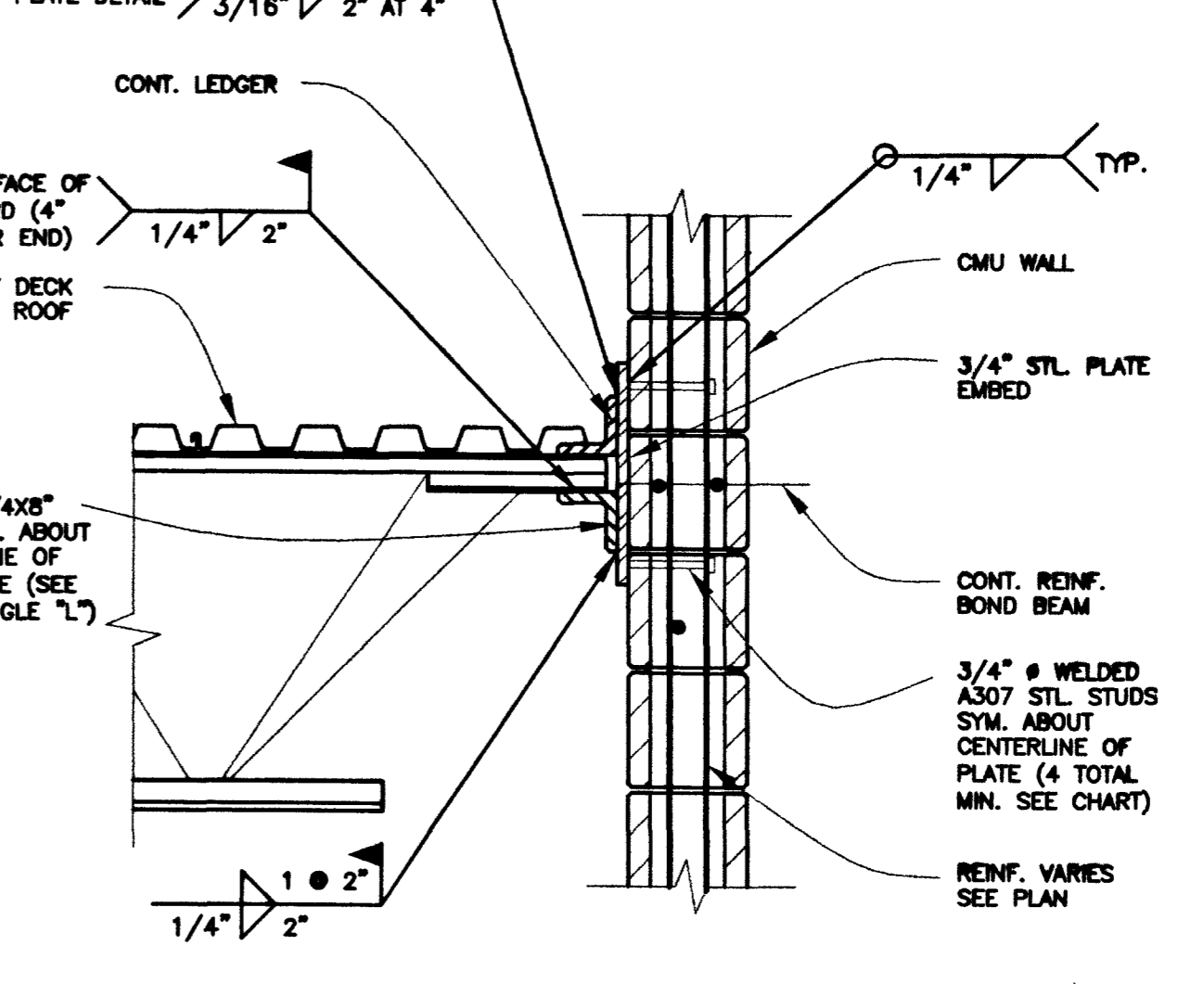
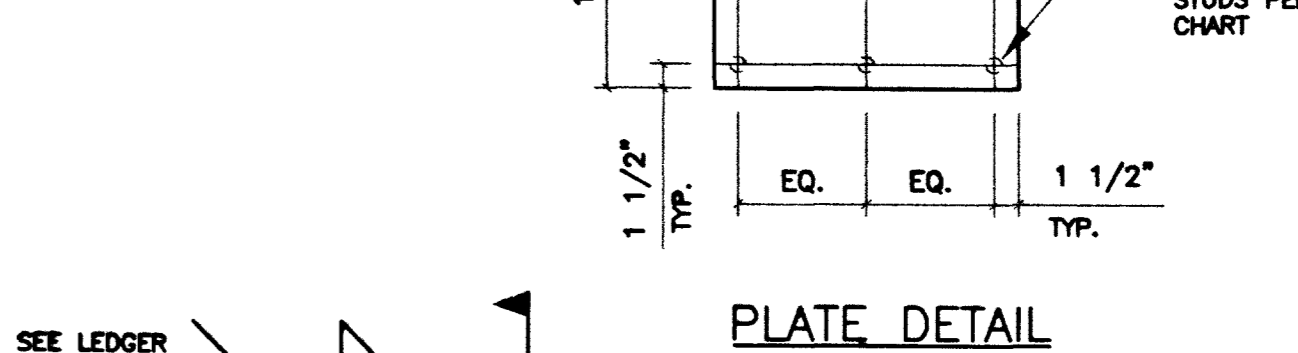
15 SECTION
1" = 1'-0"



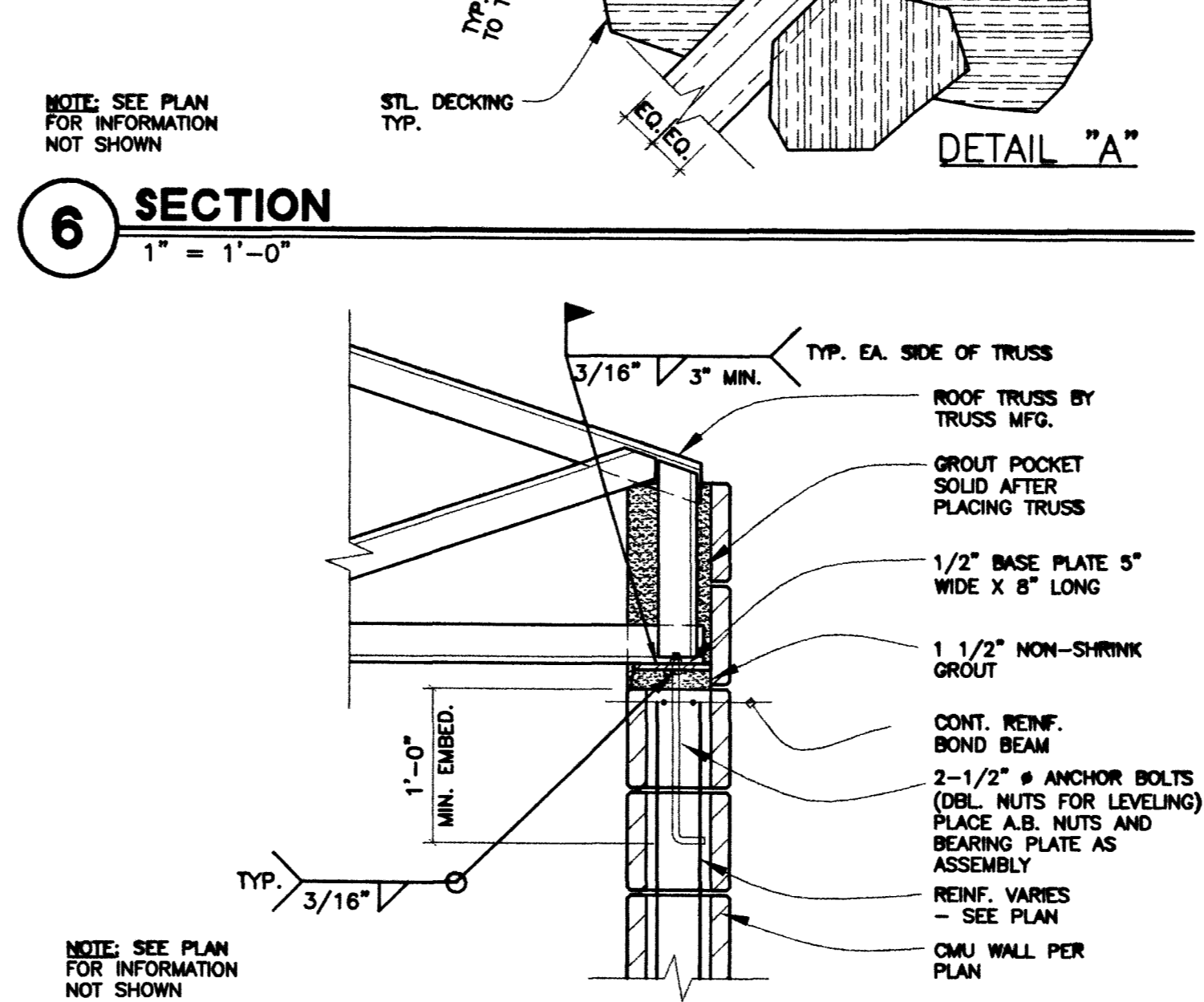
16 SECTION
3/4" = 1'-0"

STL. PLATE EMBED.

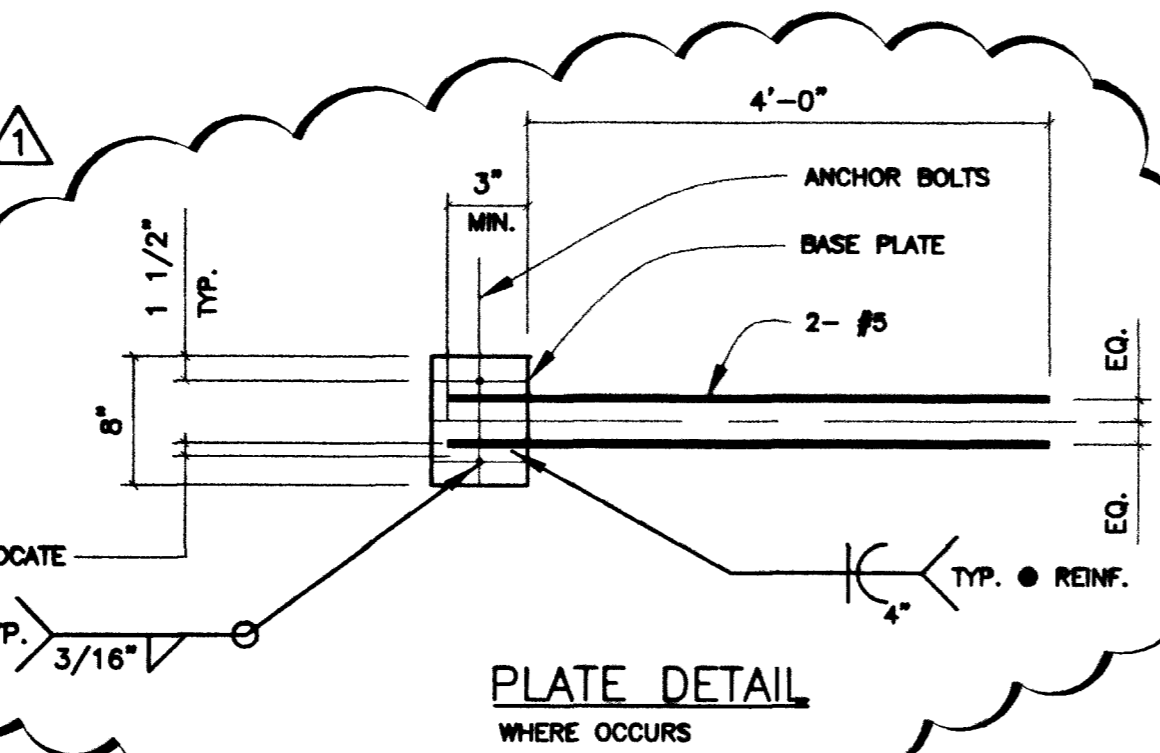
| TYPE | α° | NO. OF STUDS | ANGLE ° |
|------|-----|--------------|---------|
| EB1 | 10° | 4 | 8° |
| EB2 | 19° | 6 | 16° |



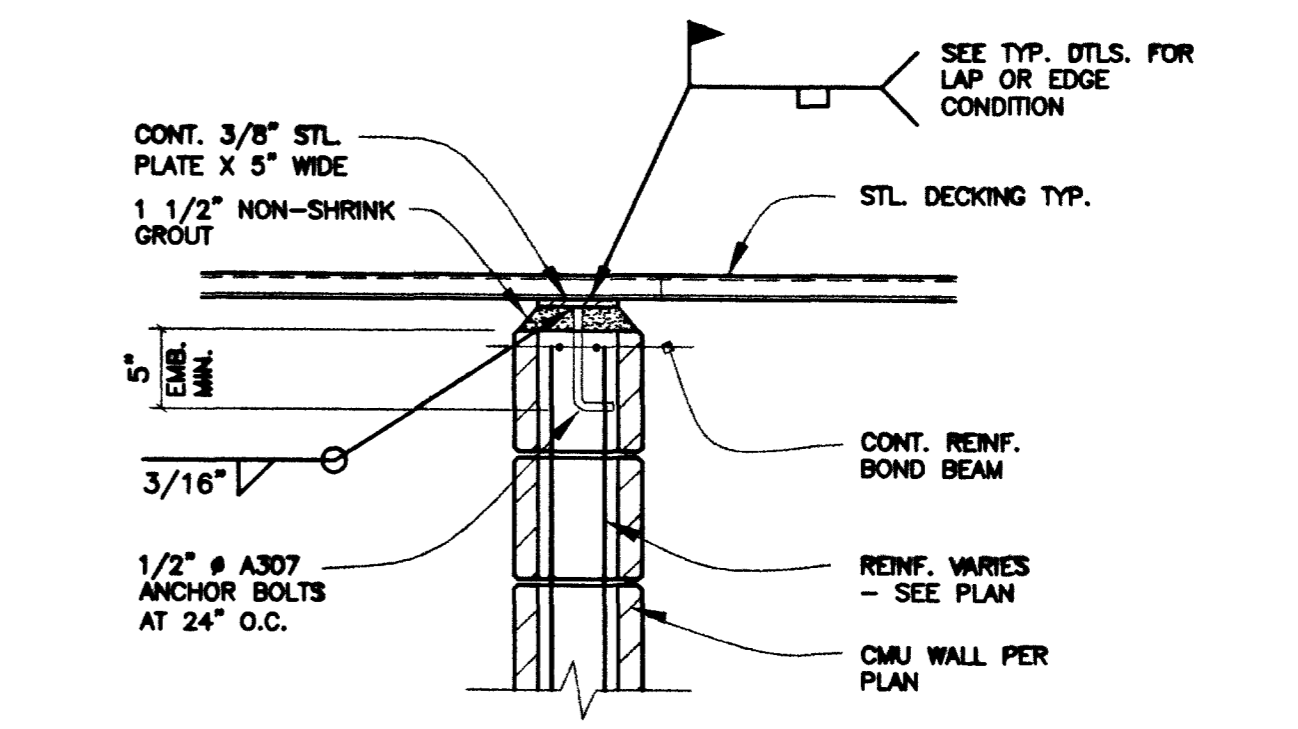
1 SECTION
1" = 1'-0"



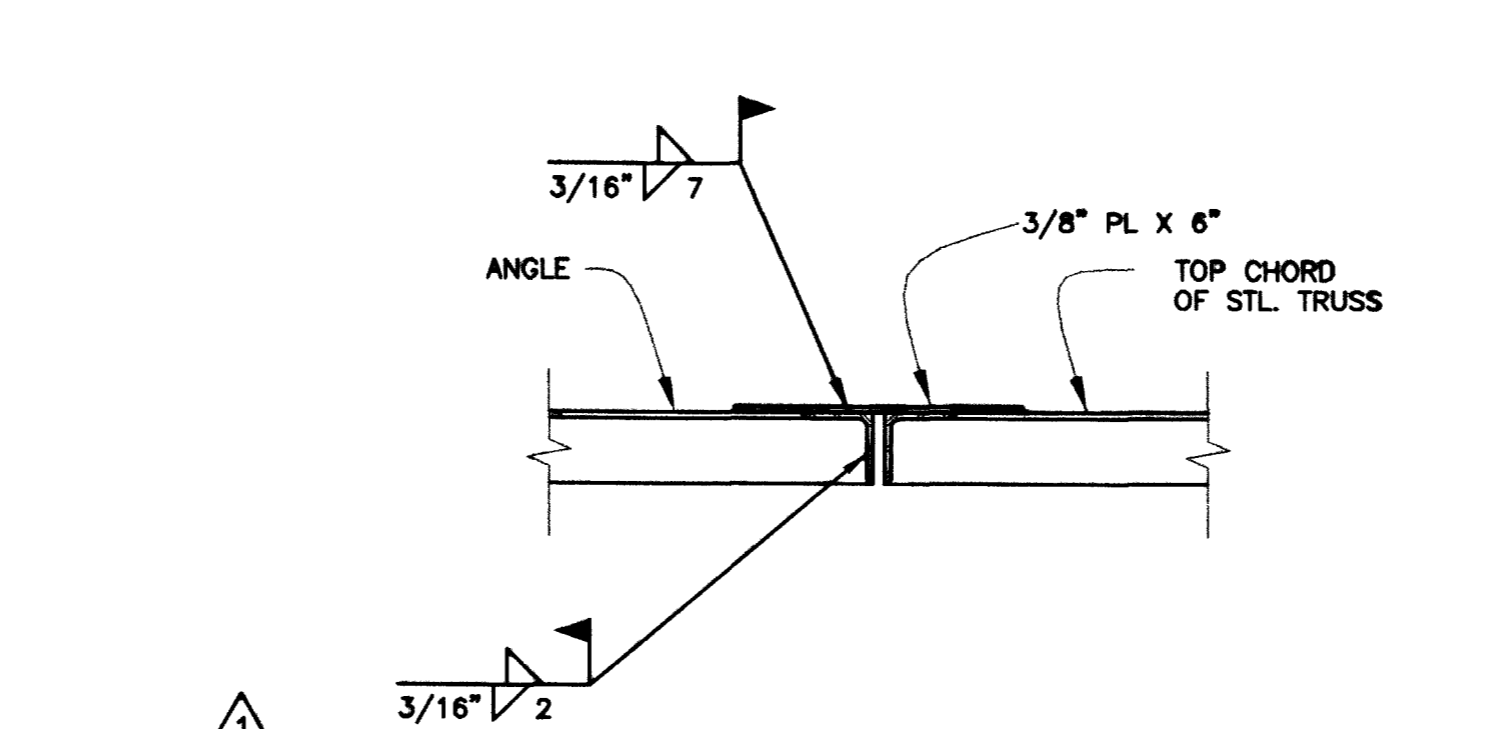
7 SECTION
1 1/2" = 1'-0"



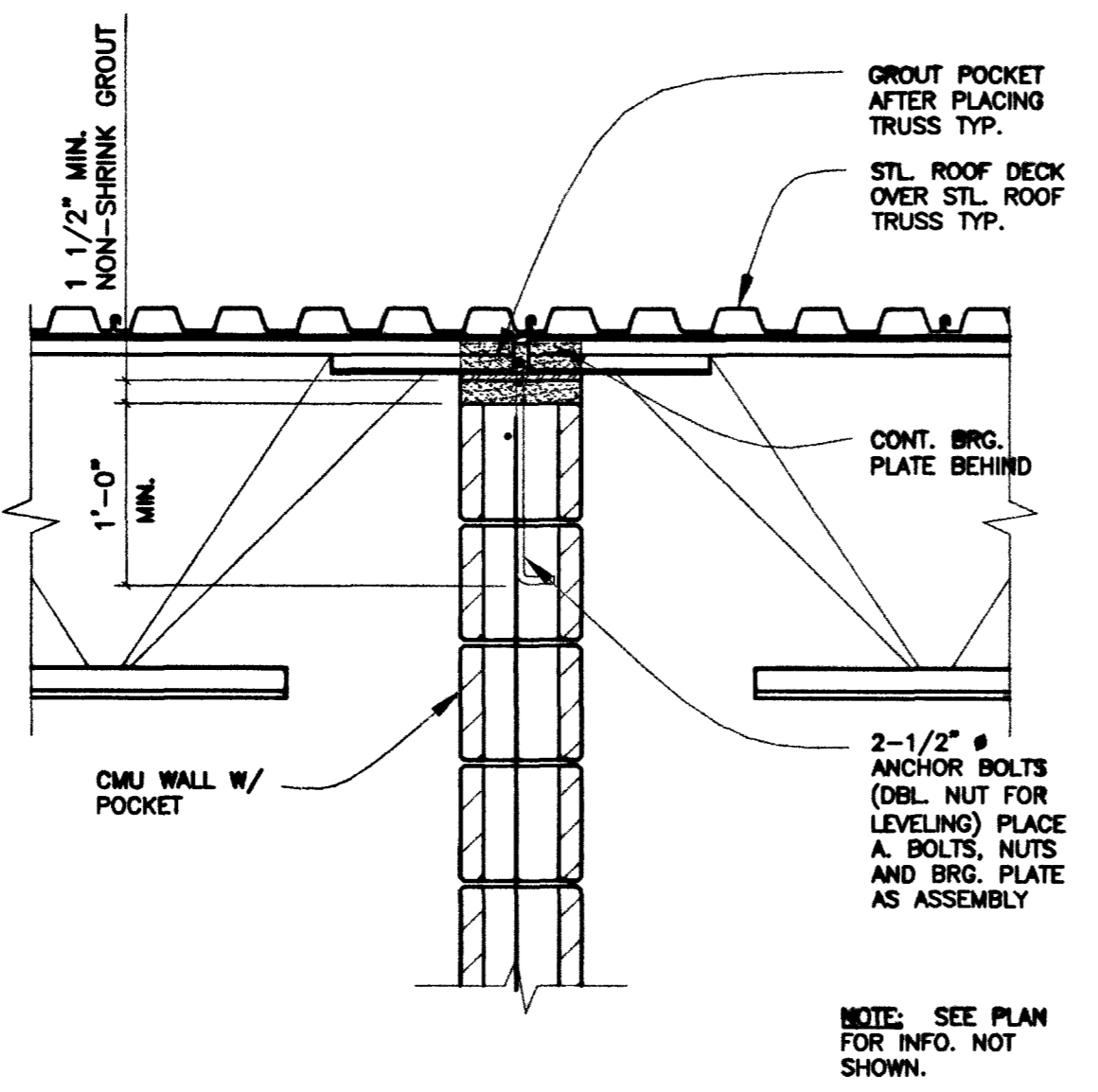
11 SECTION
1" = 1'-0"



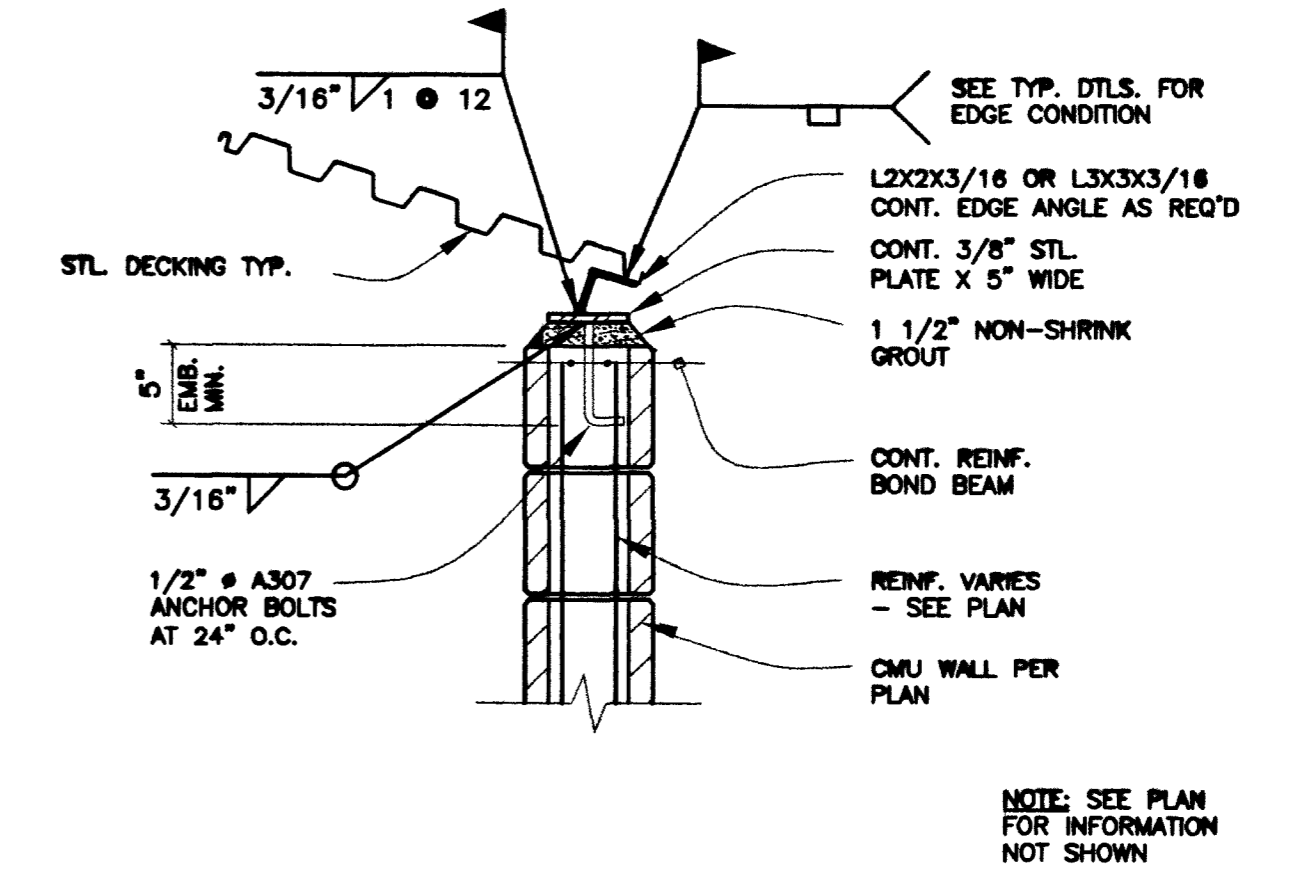
3 SECTION
1" = 1'-0"



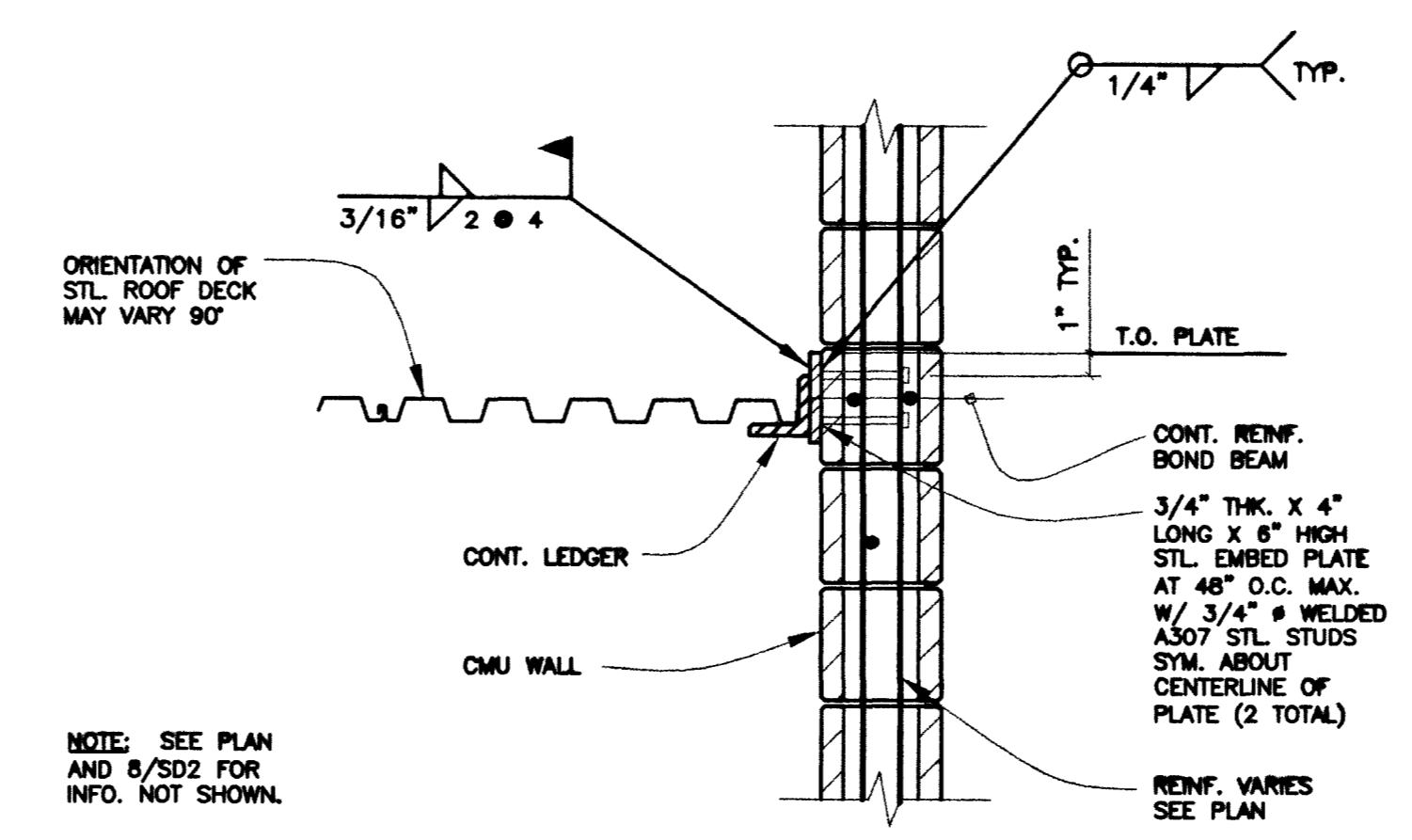
7 SECTION
1 1/2" = 1'-0"



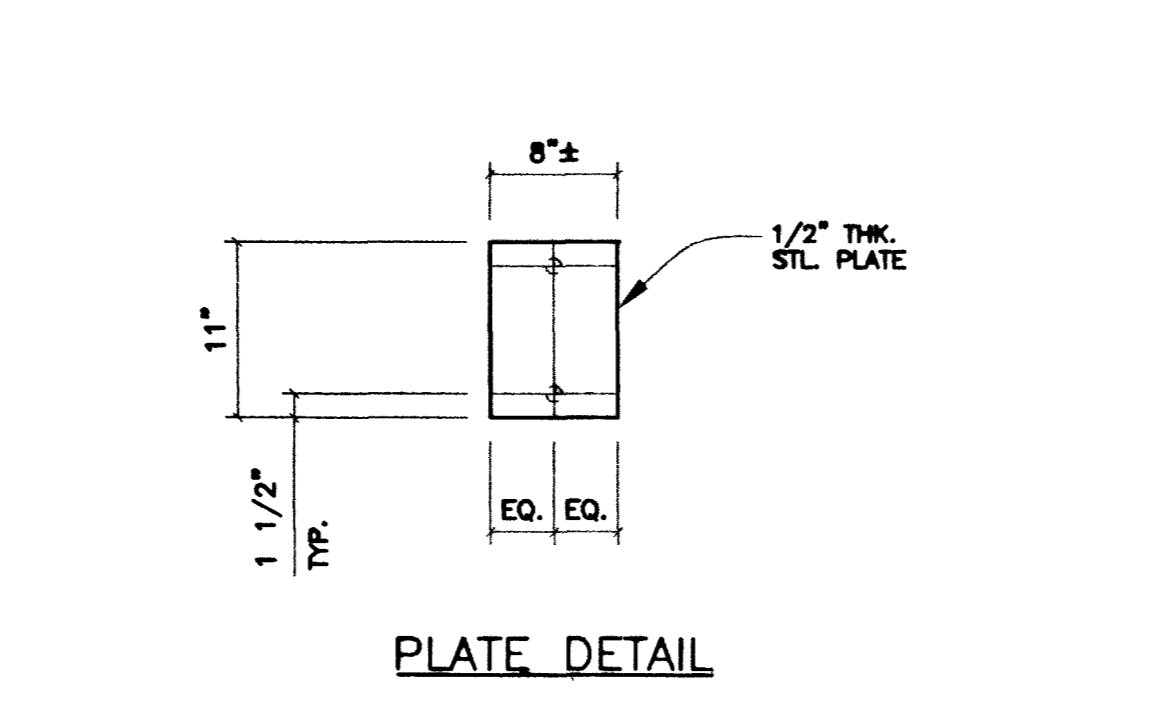
11 SECTION
1" = 1'-0"



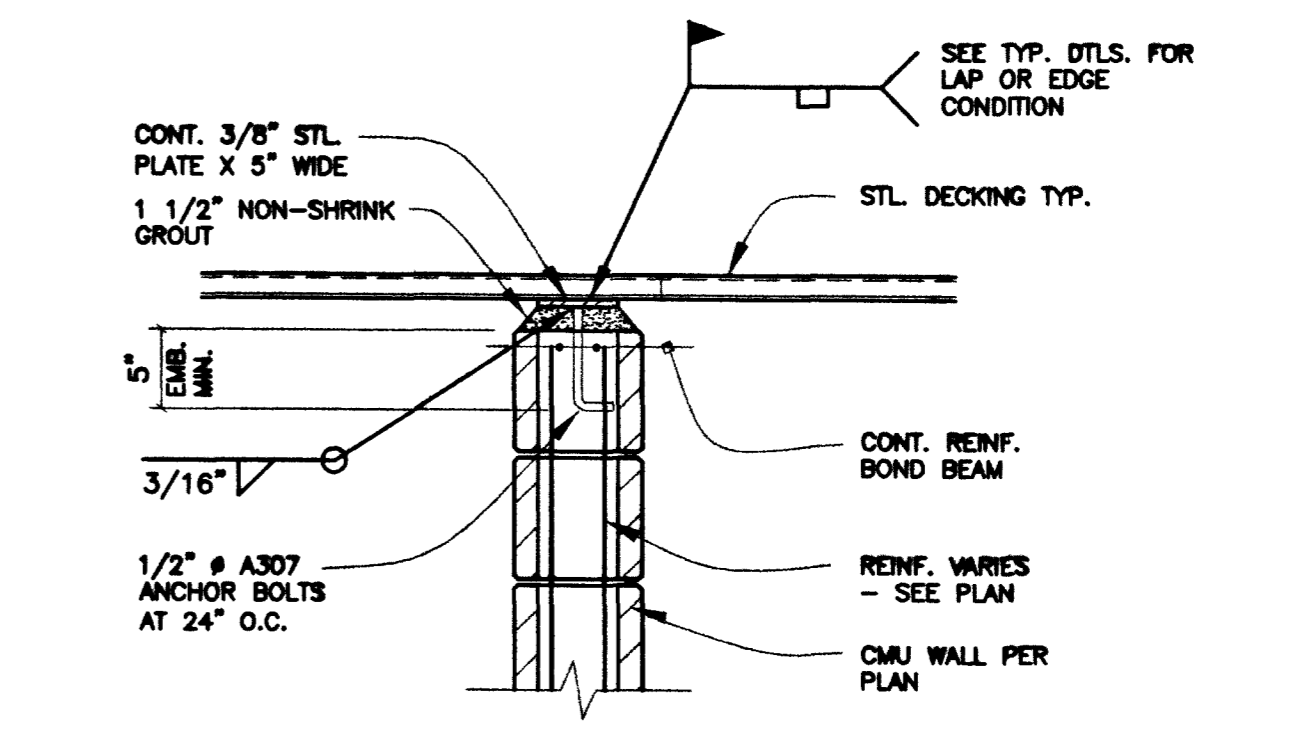
4 SECTION
1" = 1'-0"



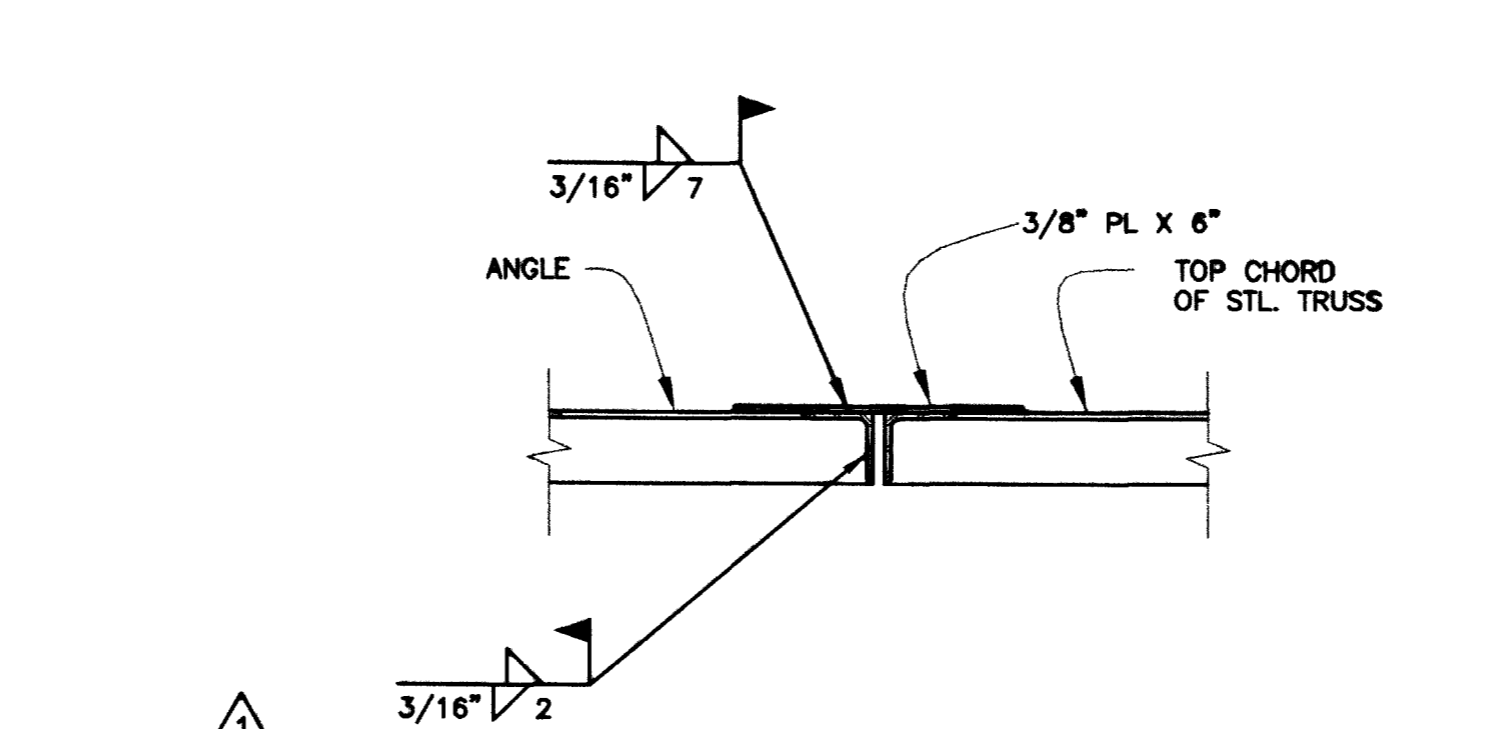
8 SECTION
1" = 1'-0"



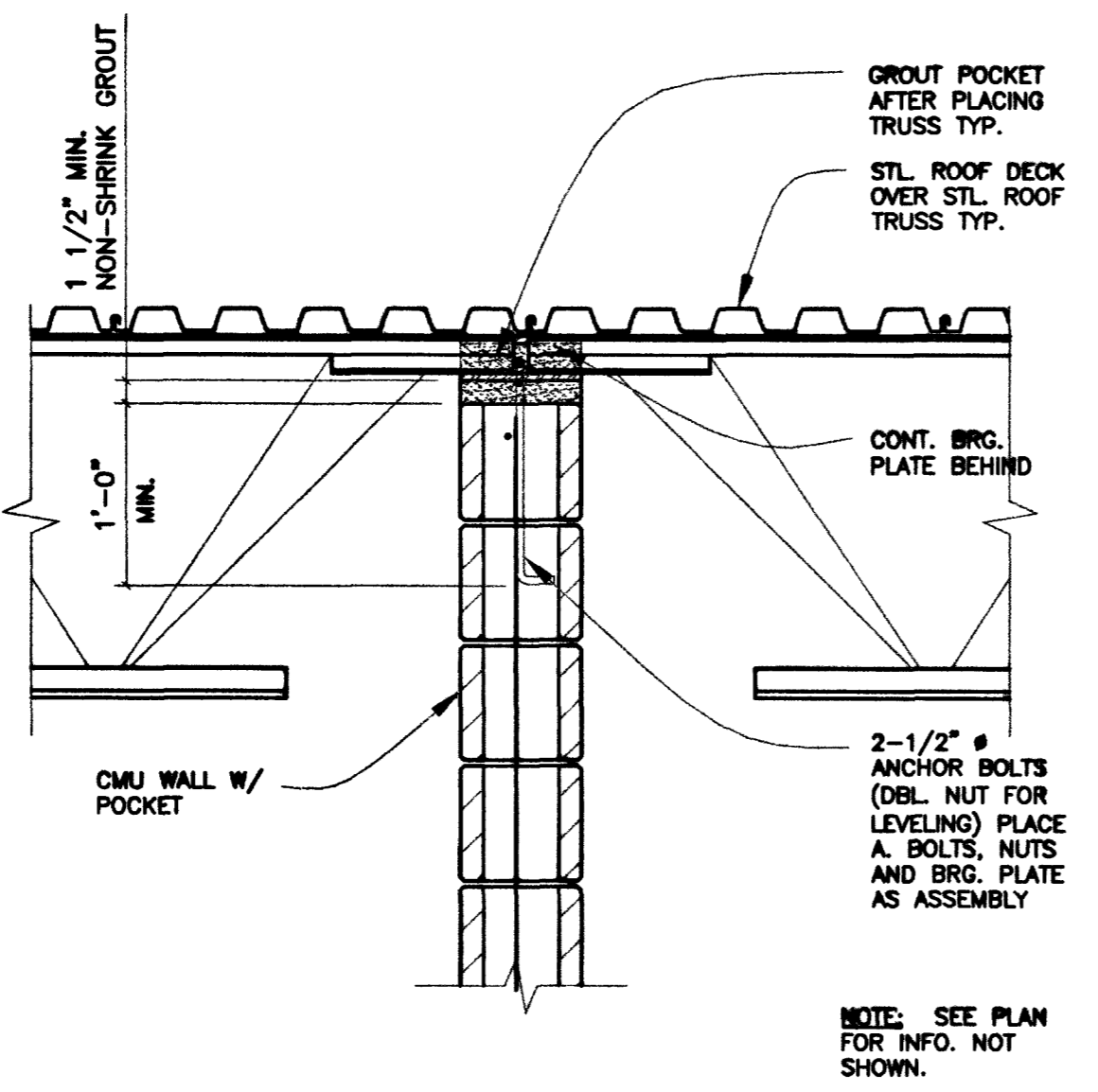
11 SECTION
1" = 1'-0"



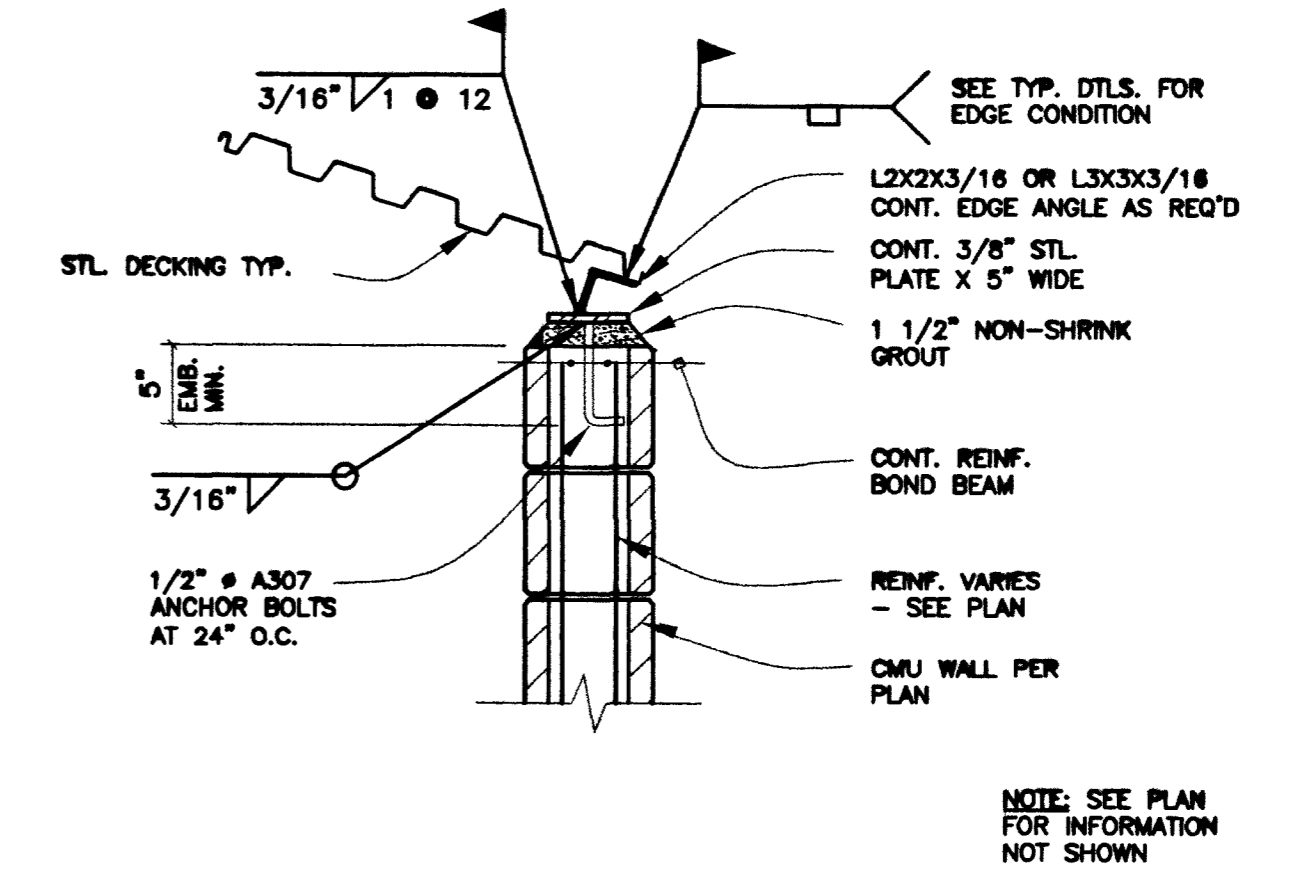
3 SECTION
1" = 1'-0"



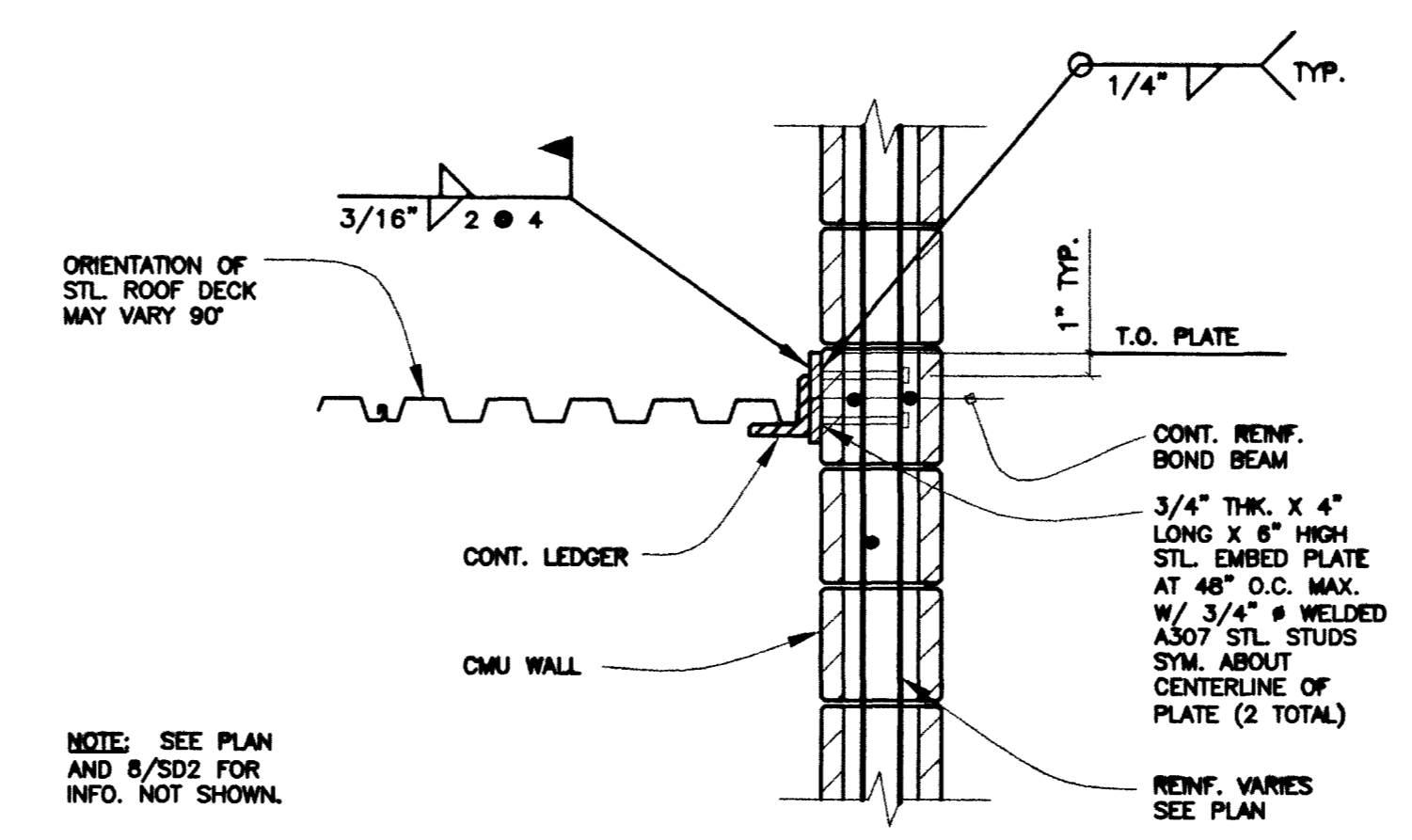
7 SECTION
1 1/2" = 1'-0"



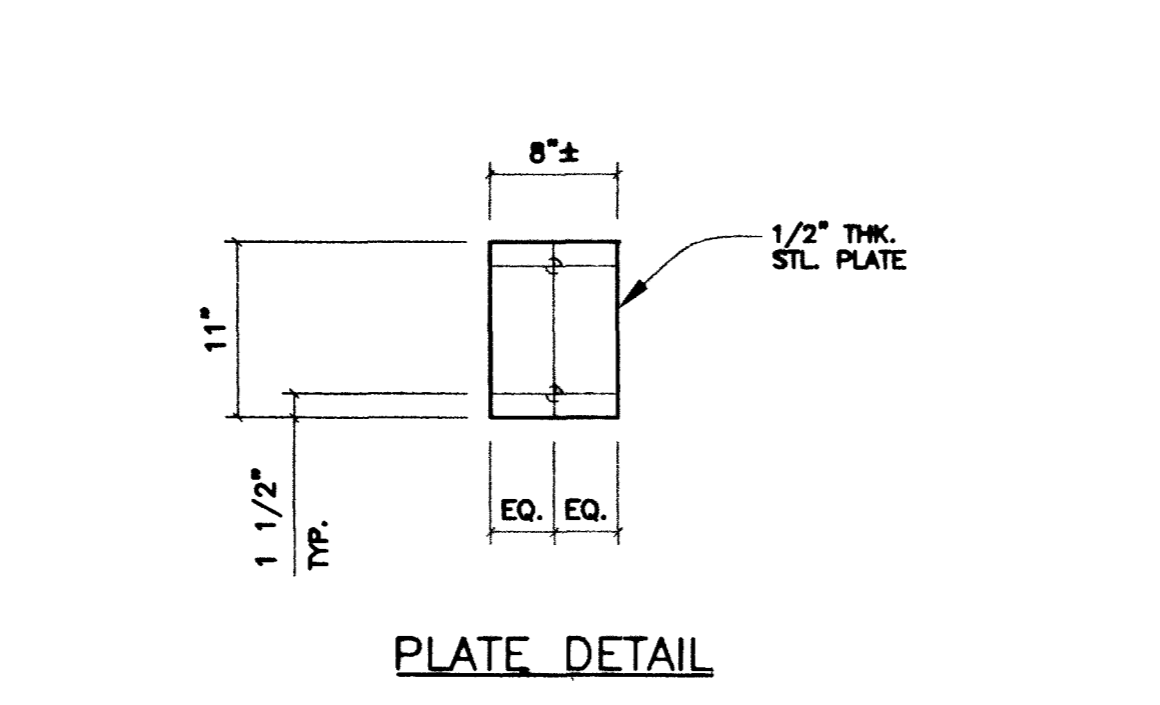
11 SECTION
1" = 1'-0"



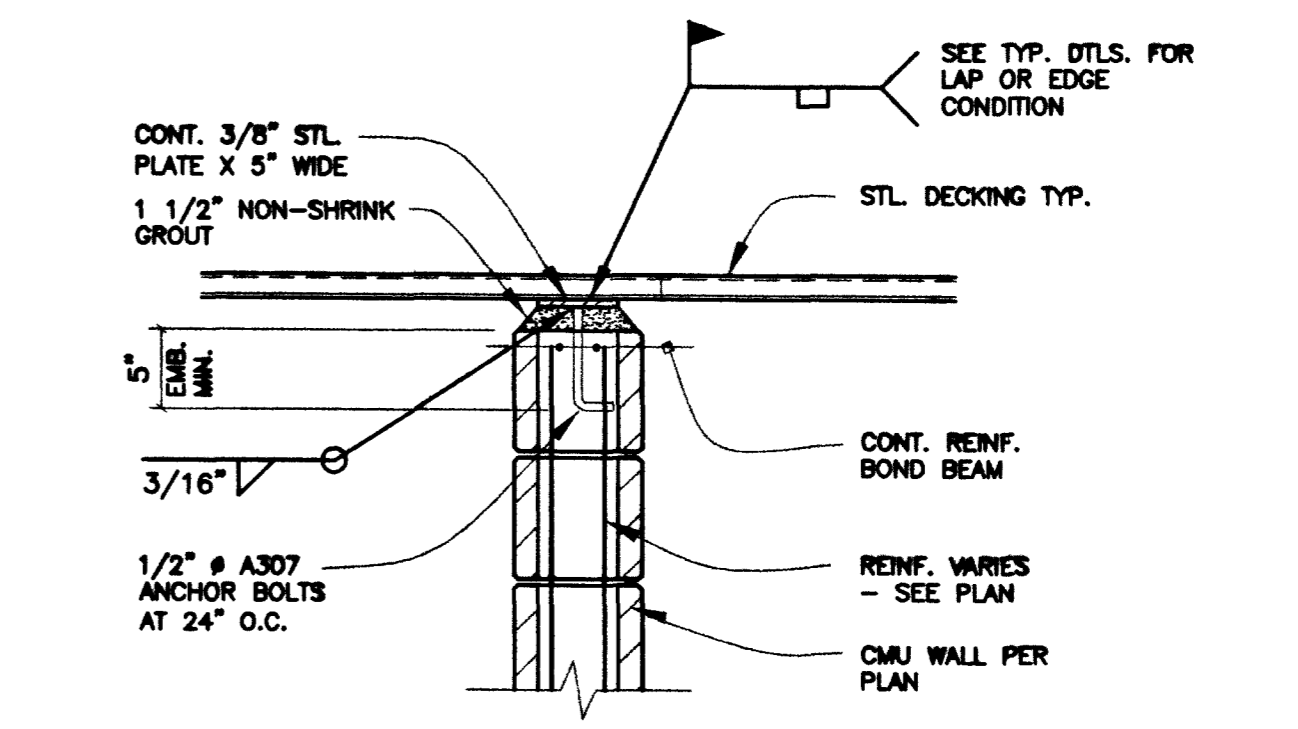
4 SECTION
1" = 1'-0"



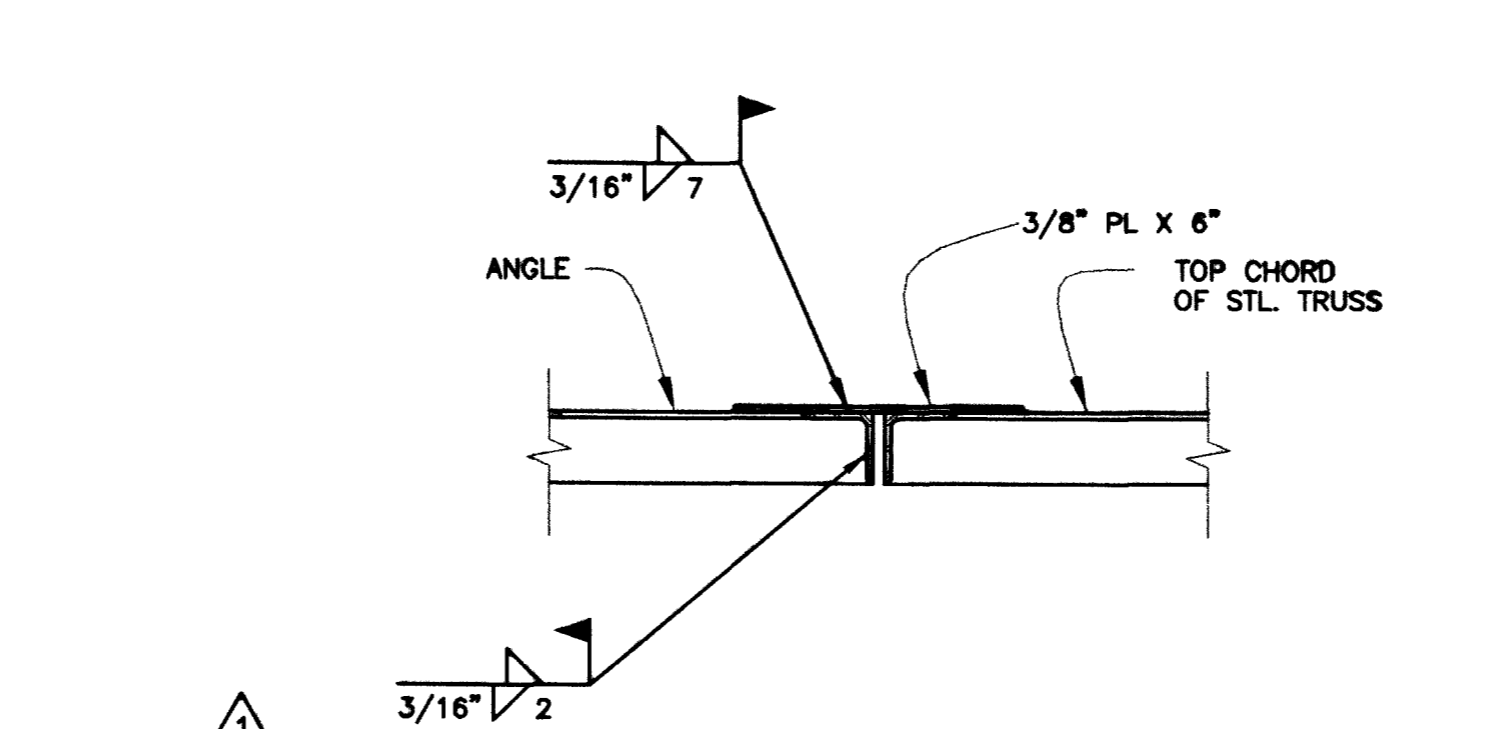
8 SECTION
1" = 1'-0"



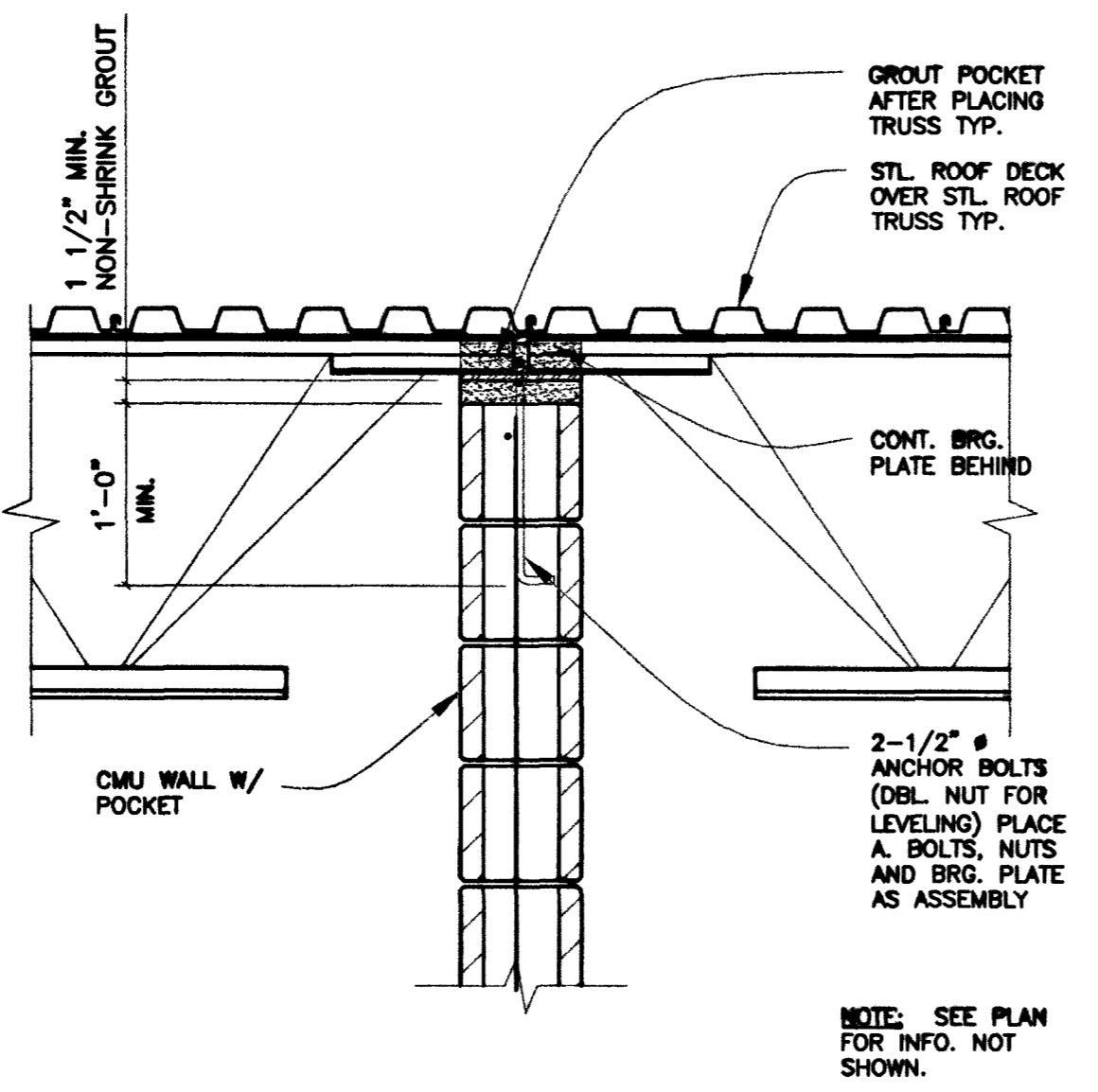
11 SECTION
1" = 1'-0"



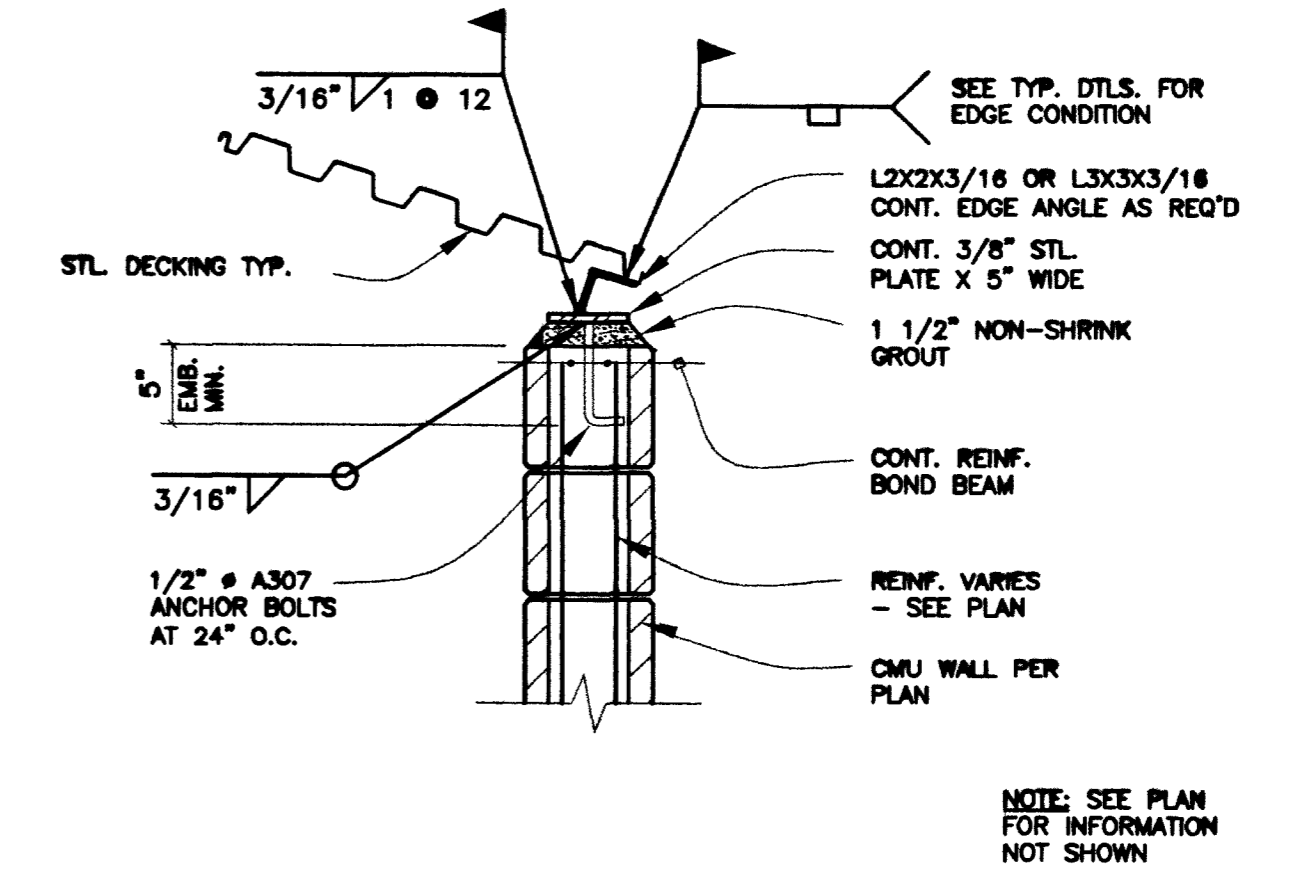
3 SECTION
1" = 1'-0"



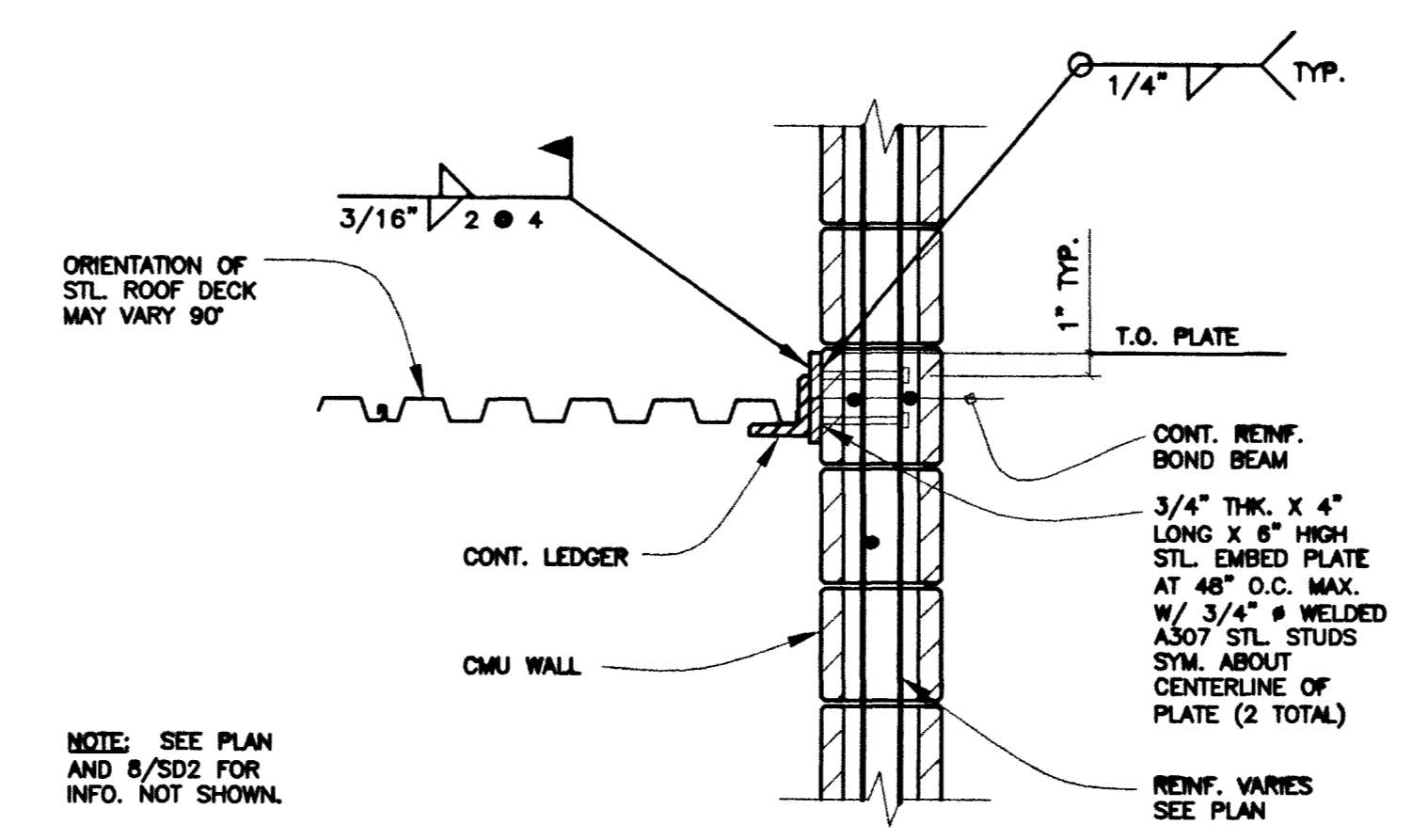
7 SECTION
1 1/2" = 1'-0"



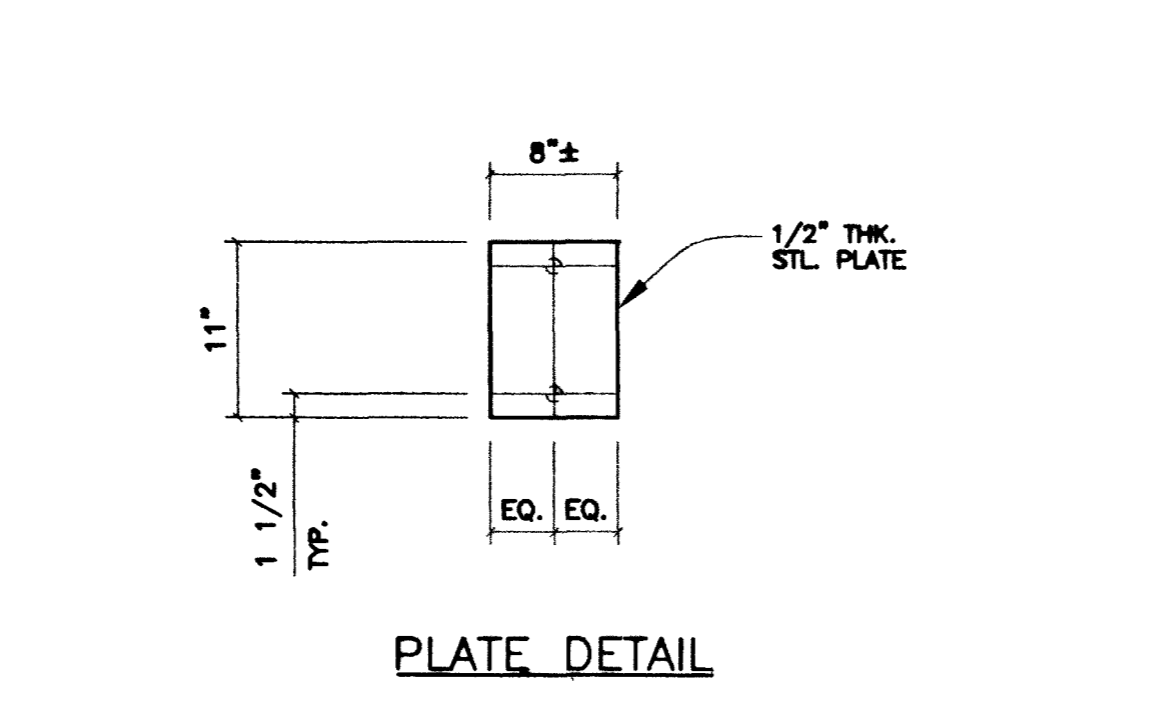
11 SECTION
1" = 1'-0"



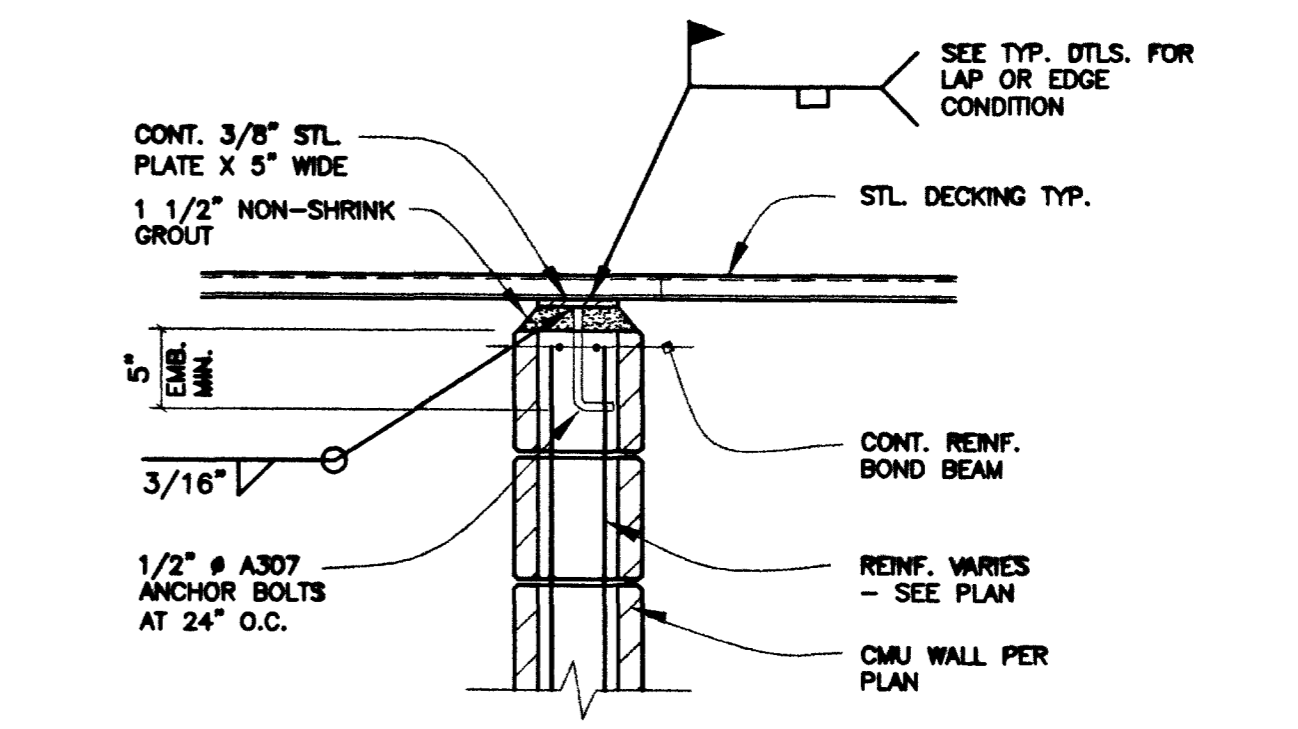
4 SECTION
1" = 1'-0"



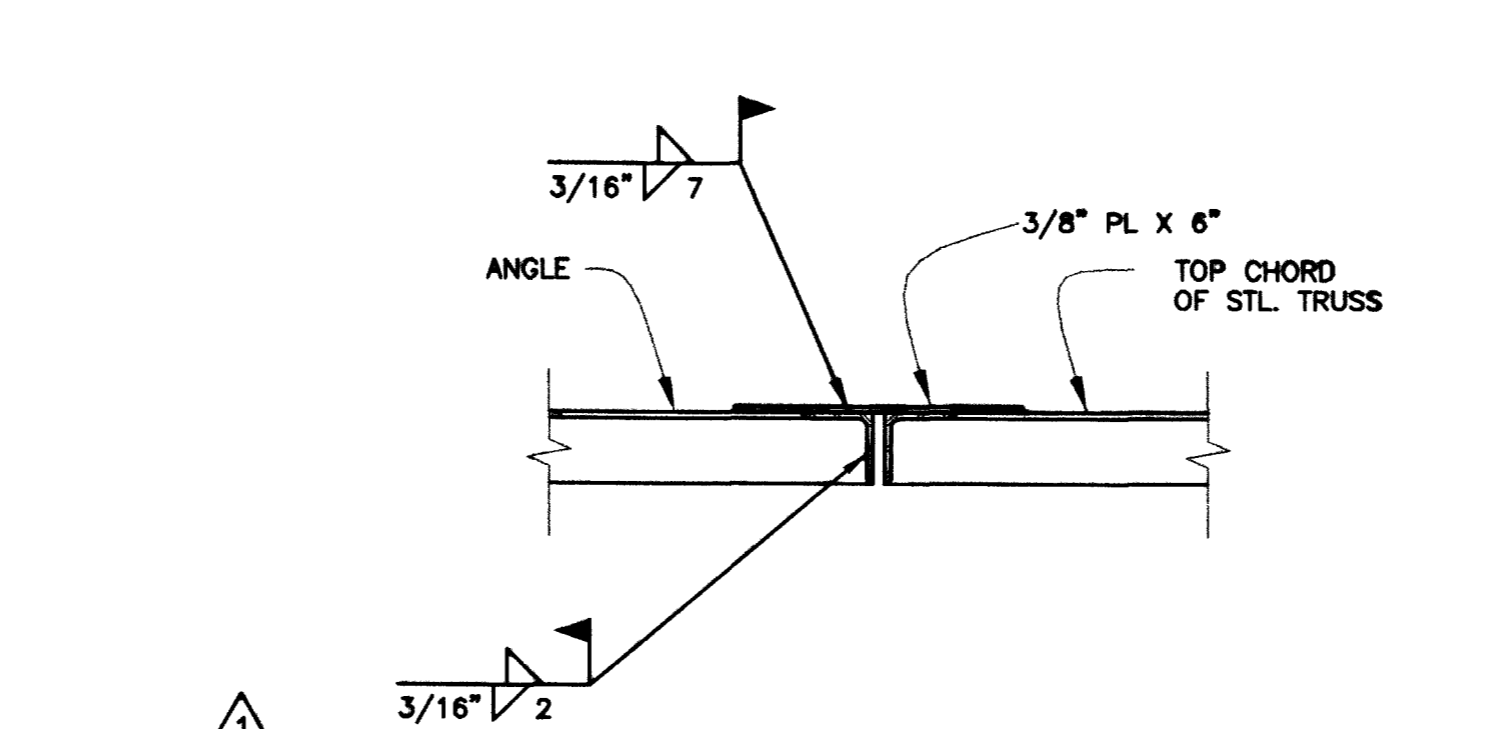
8 SECTION
1" = 1'-0"



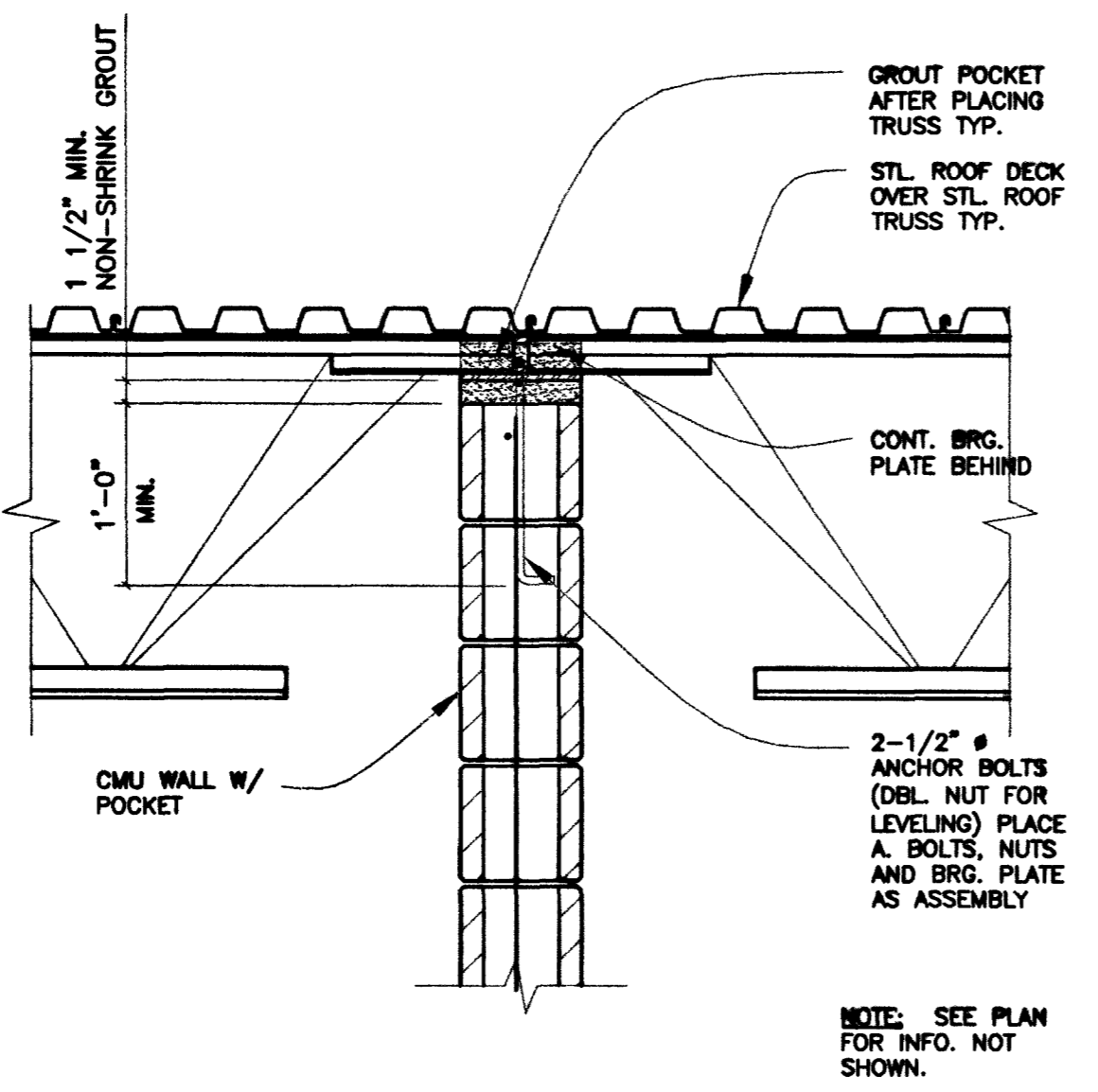
11 SECTION
1" = 1'-0"



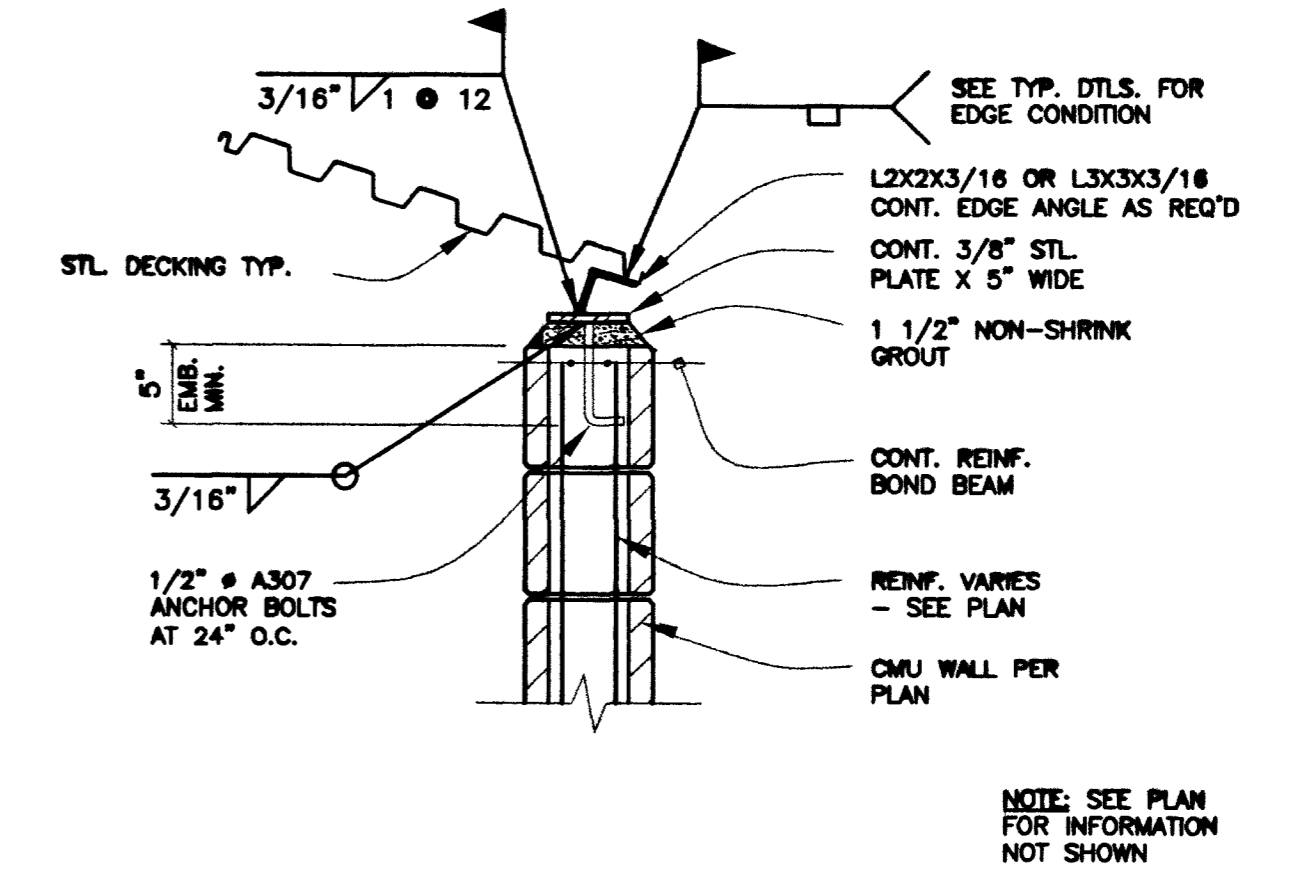
3 SECTION
1" = 1'-0"



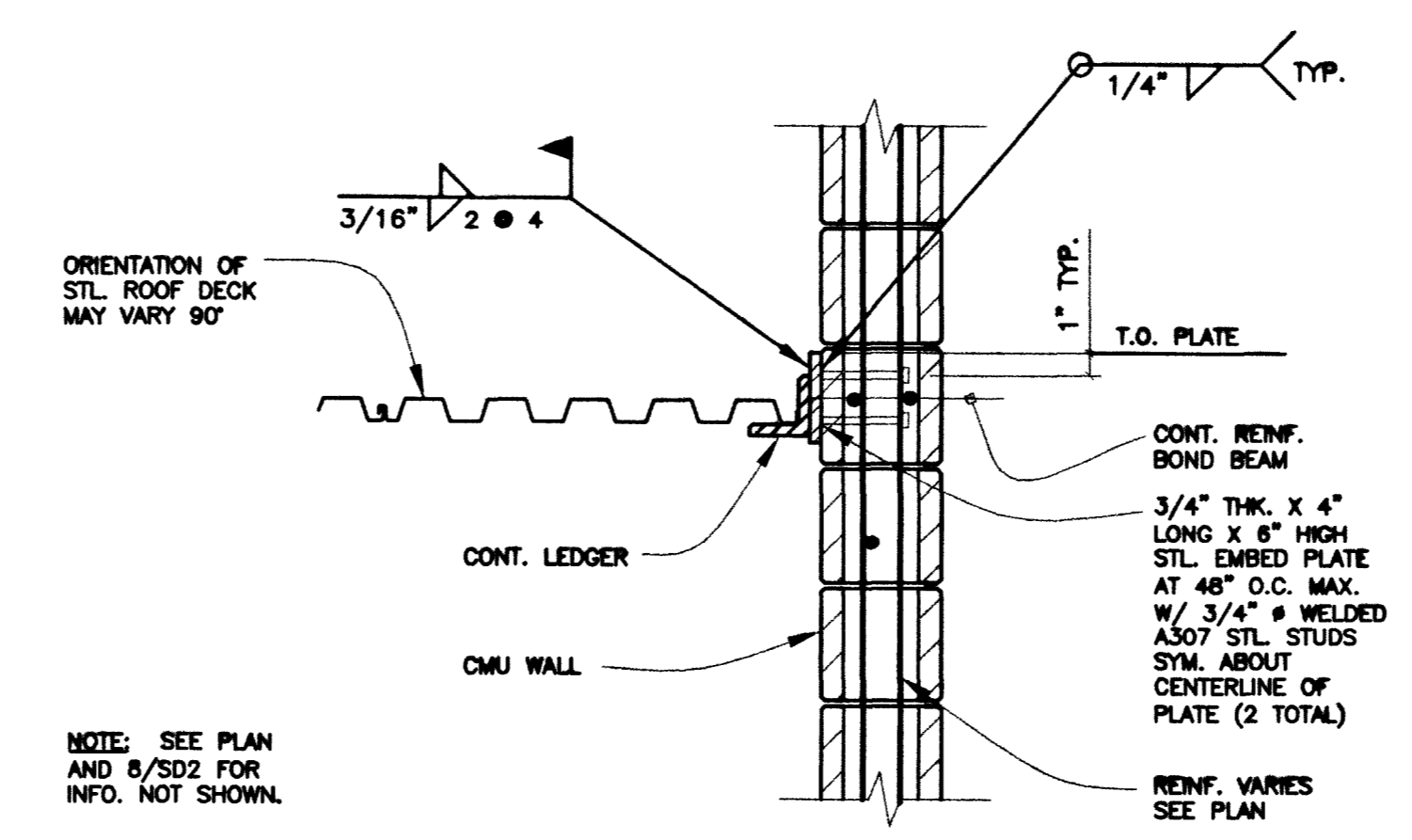
7 SECTION
1 1/2" = 1'-0"



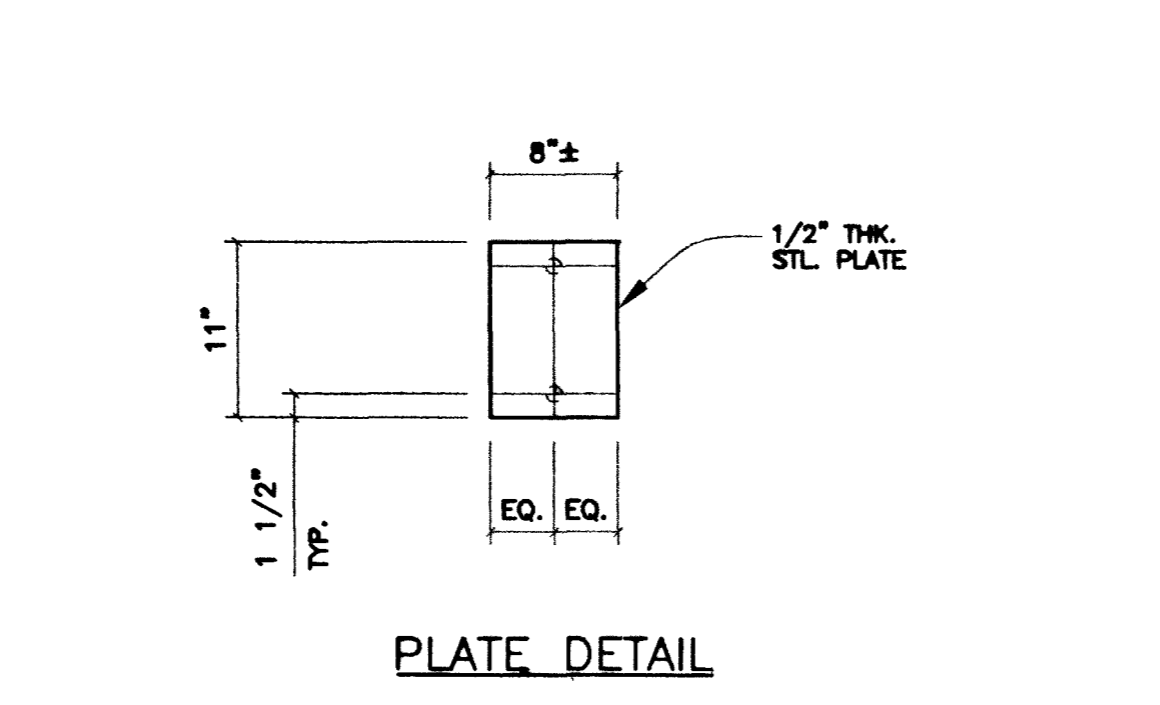
11 SECTION
1" = 1'-0"



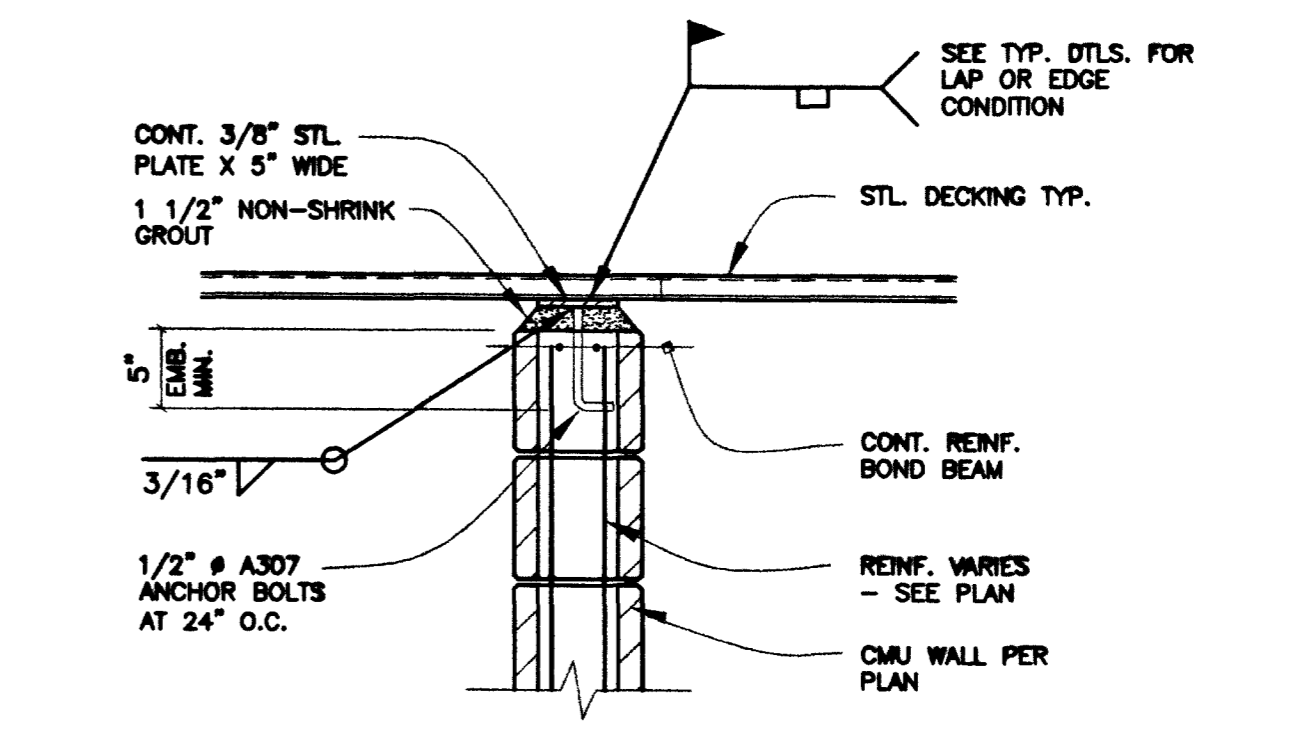
4 SECTION
1" = 1'-0"



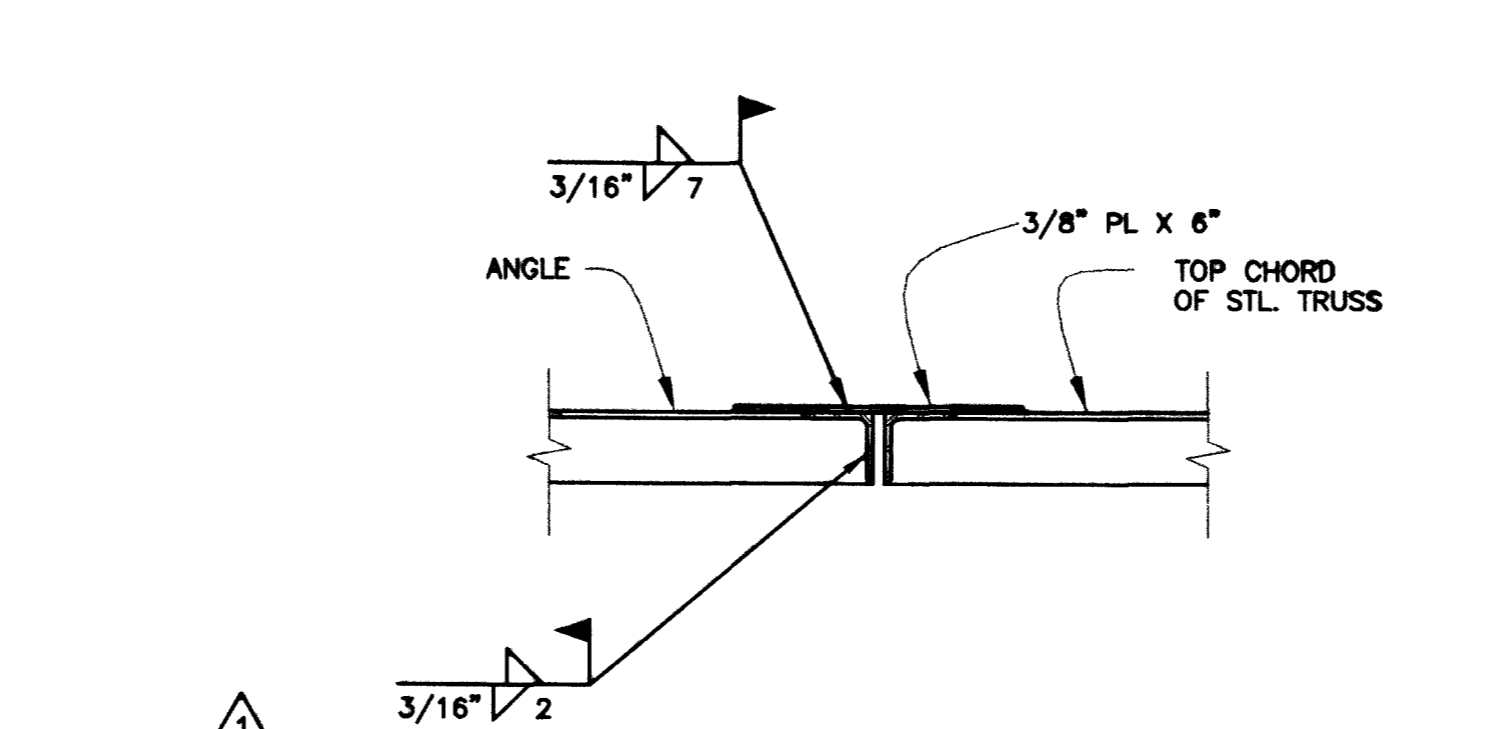
8 SECTION
1" = 1'-0"



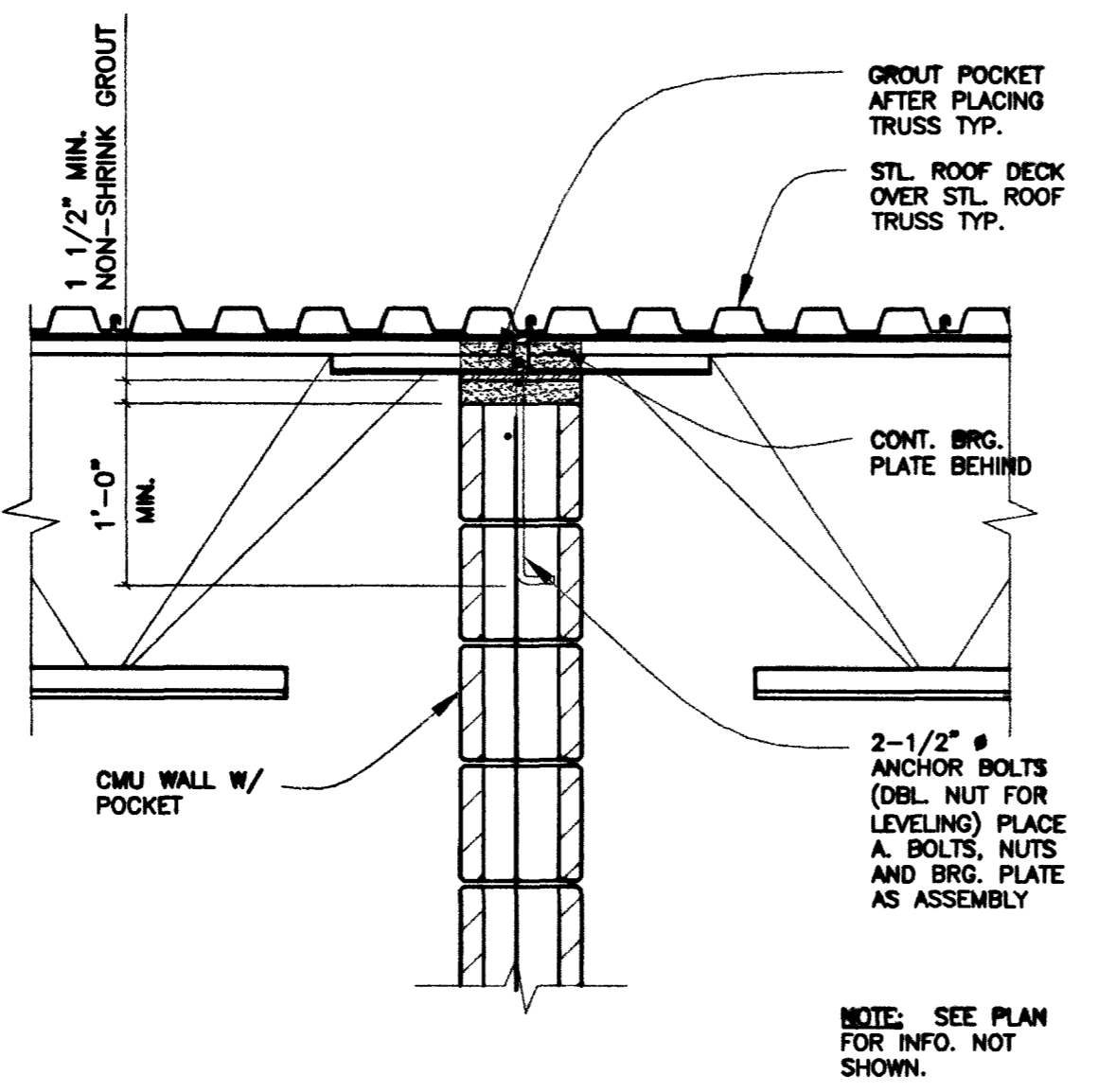
11 SECTION
1" = 1'-0"



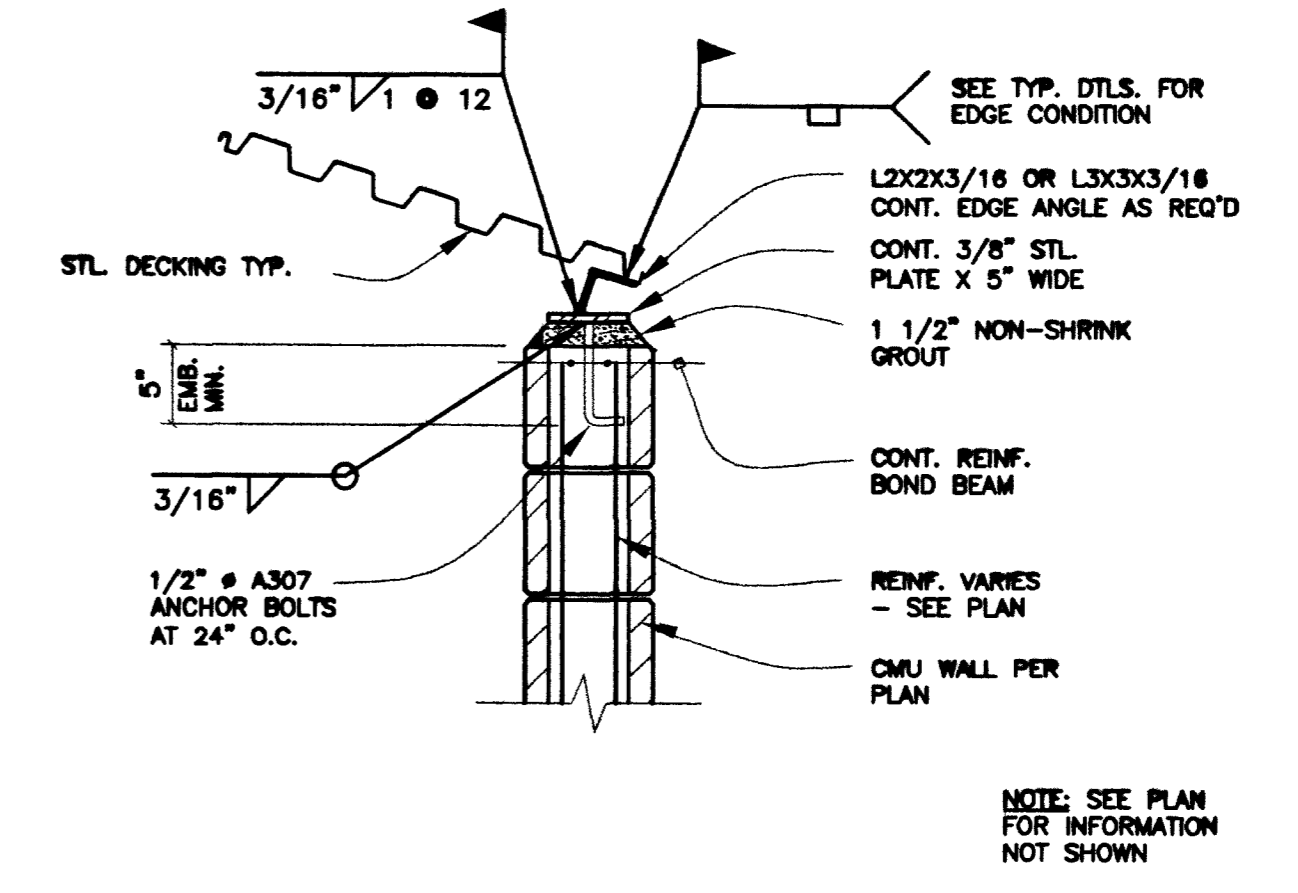
3 SECTION
1" = 1'-0"



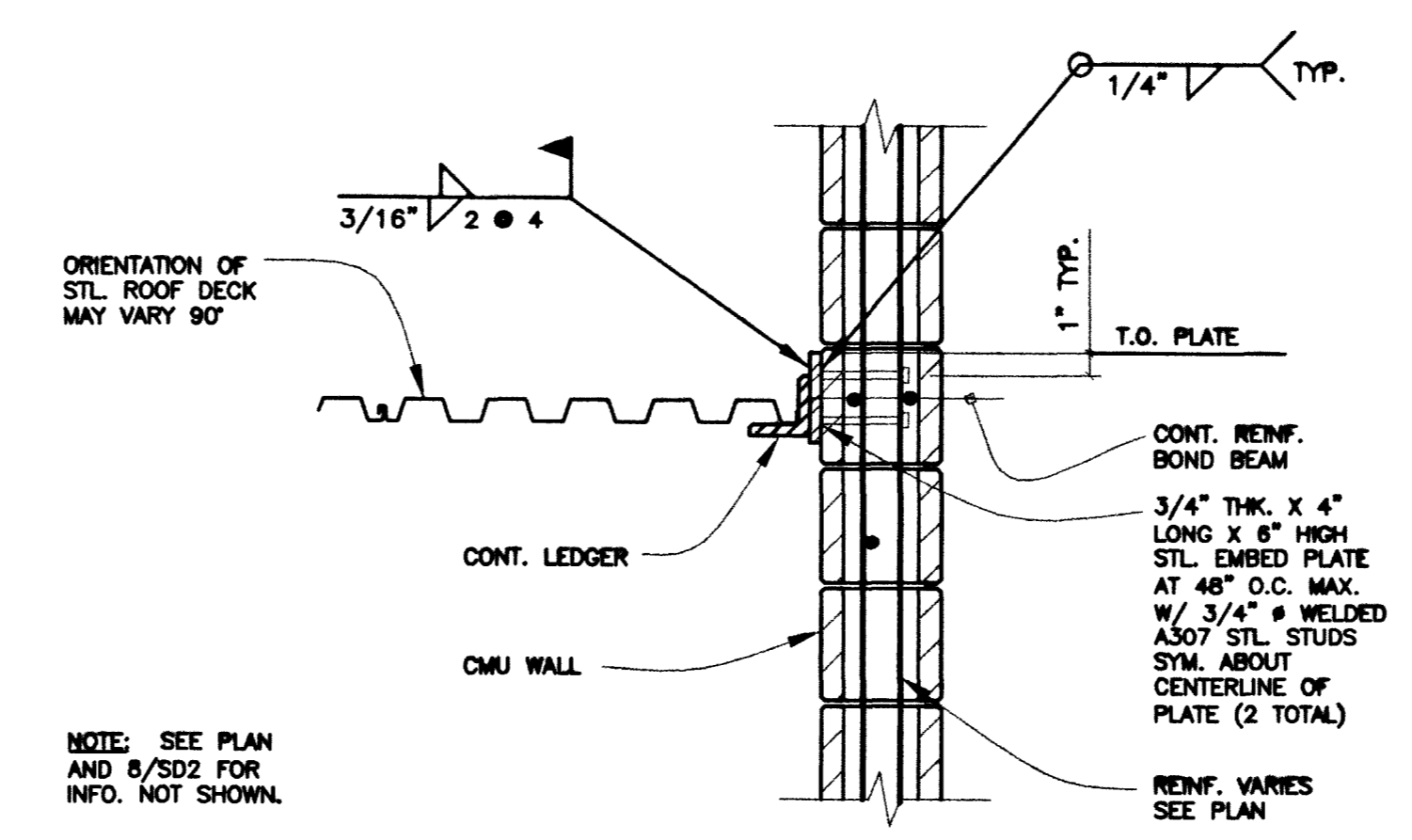
7 SECTION
1 1/2" = 1'-0"



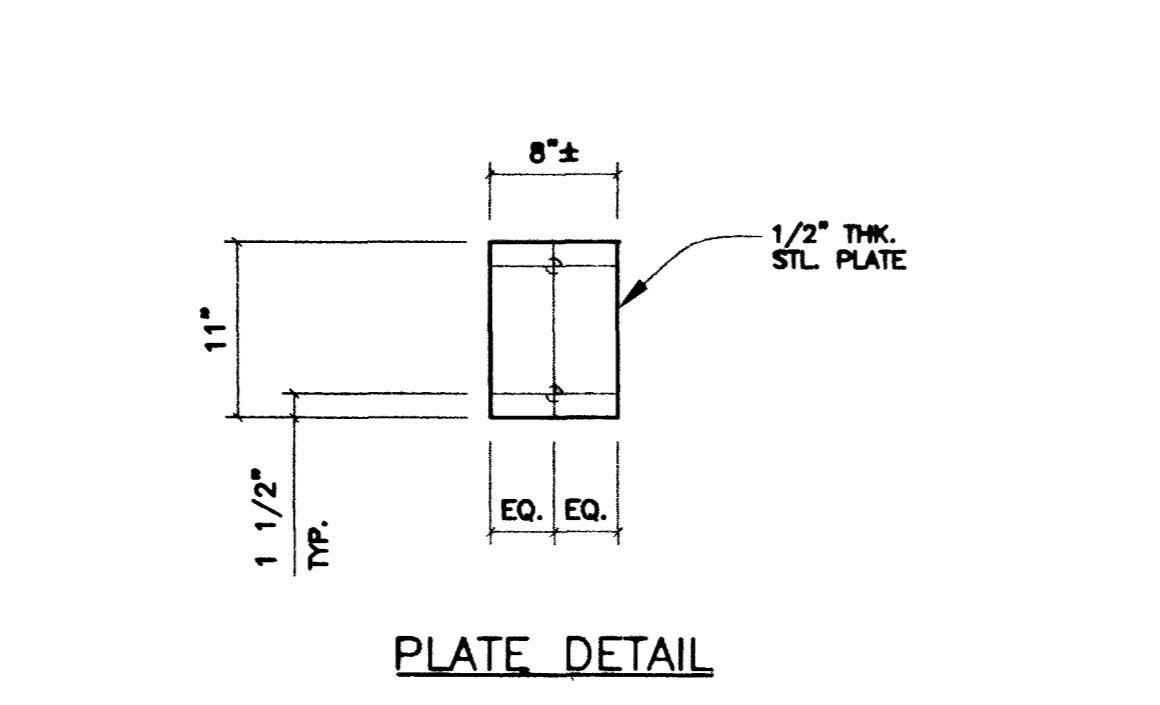
11 SECTION
1" = 1'-0"



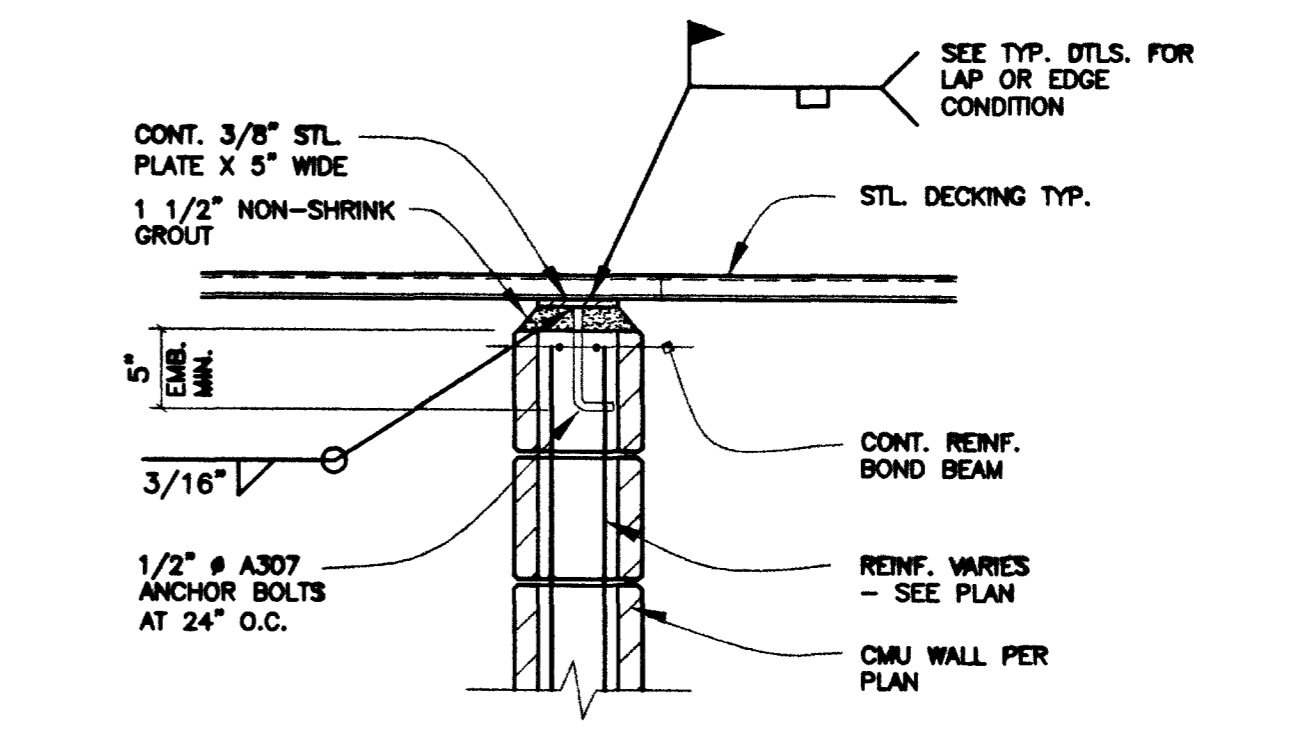
4 SECTION
1" = 1'-0"



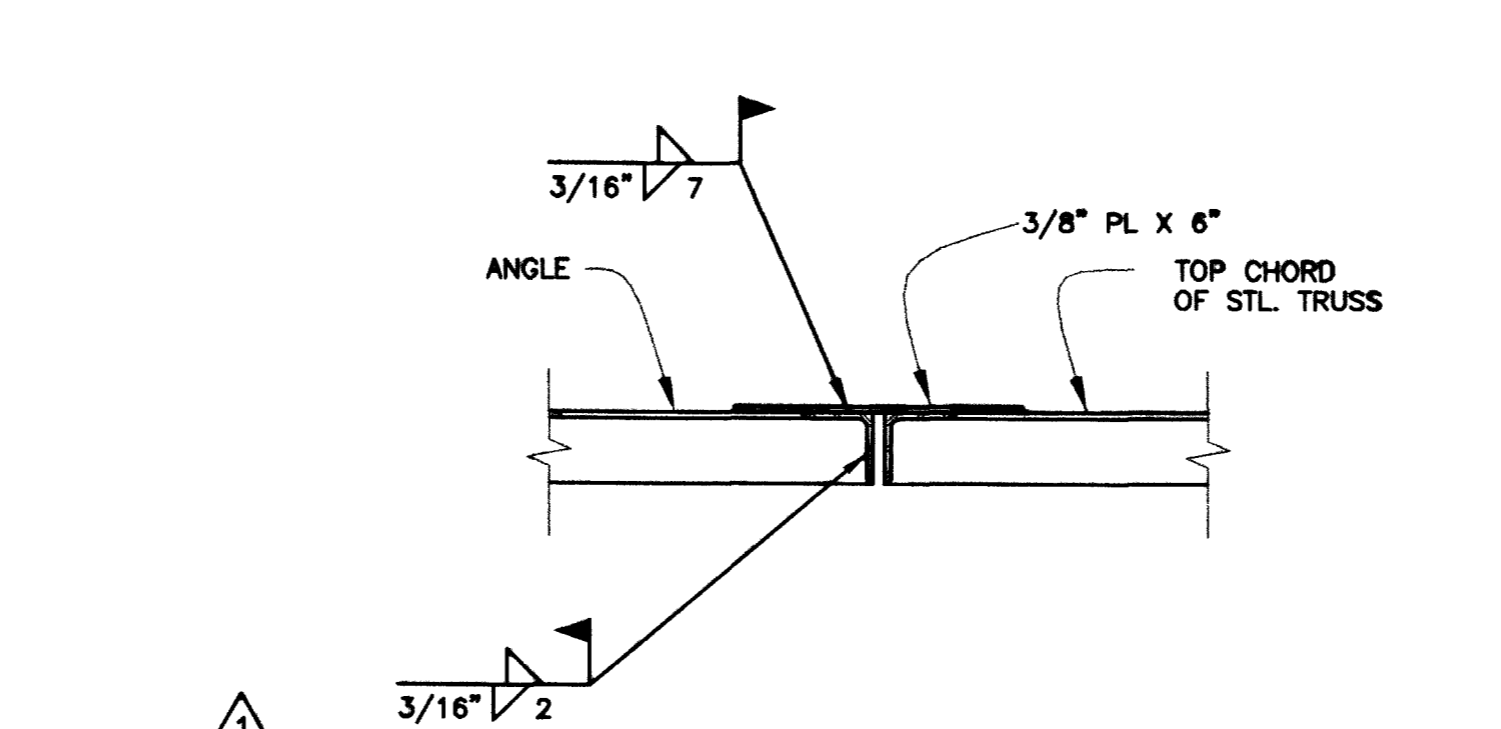
8 SECTION
1" = 1'-0"



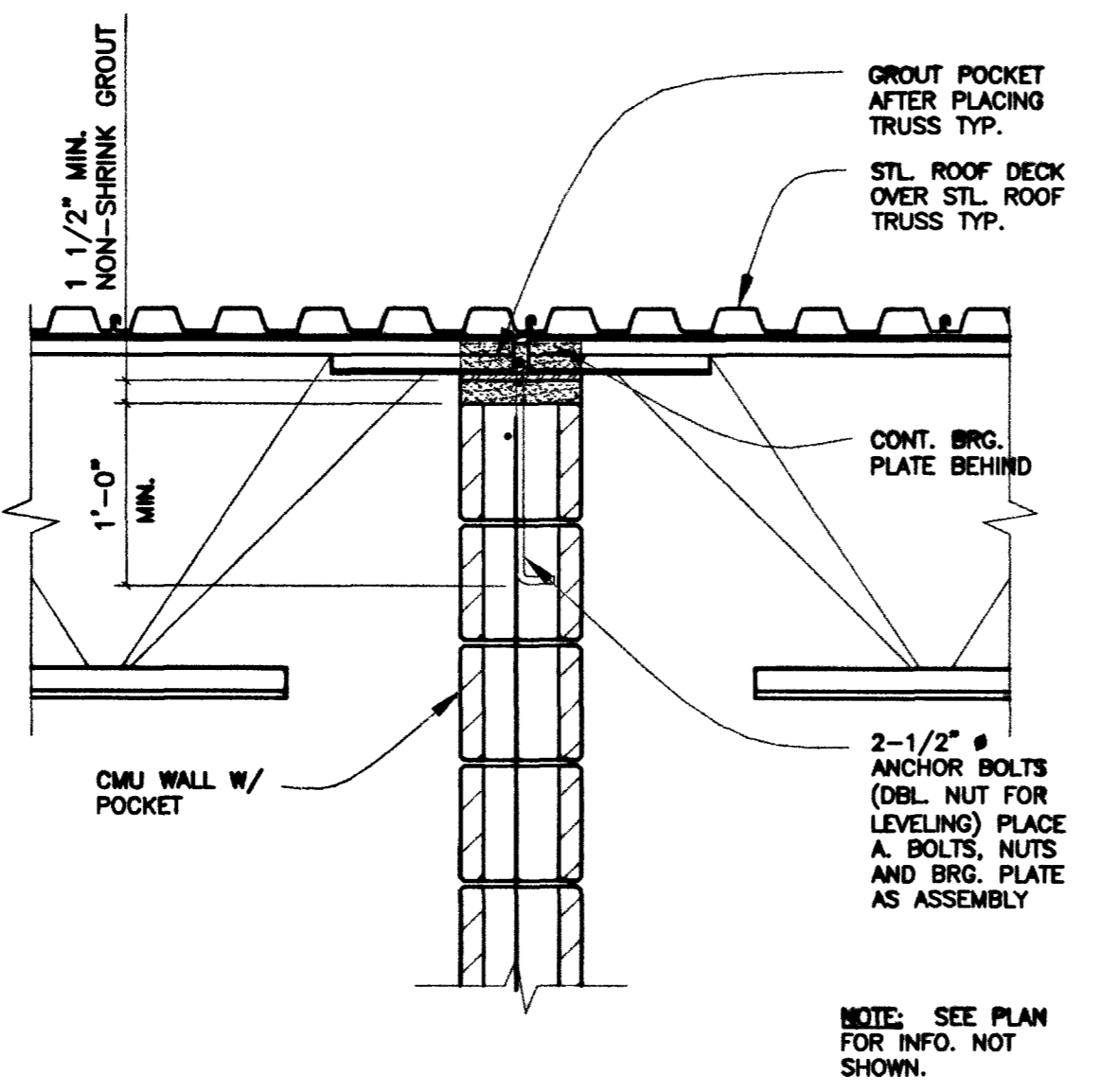
11 SECTION
1" = 1'-0"



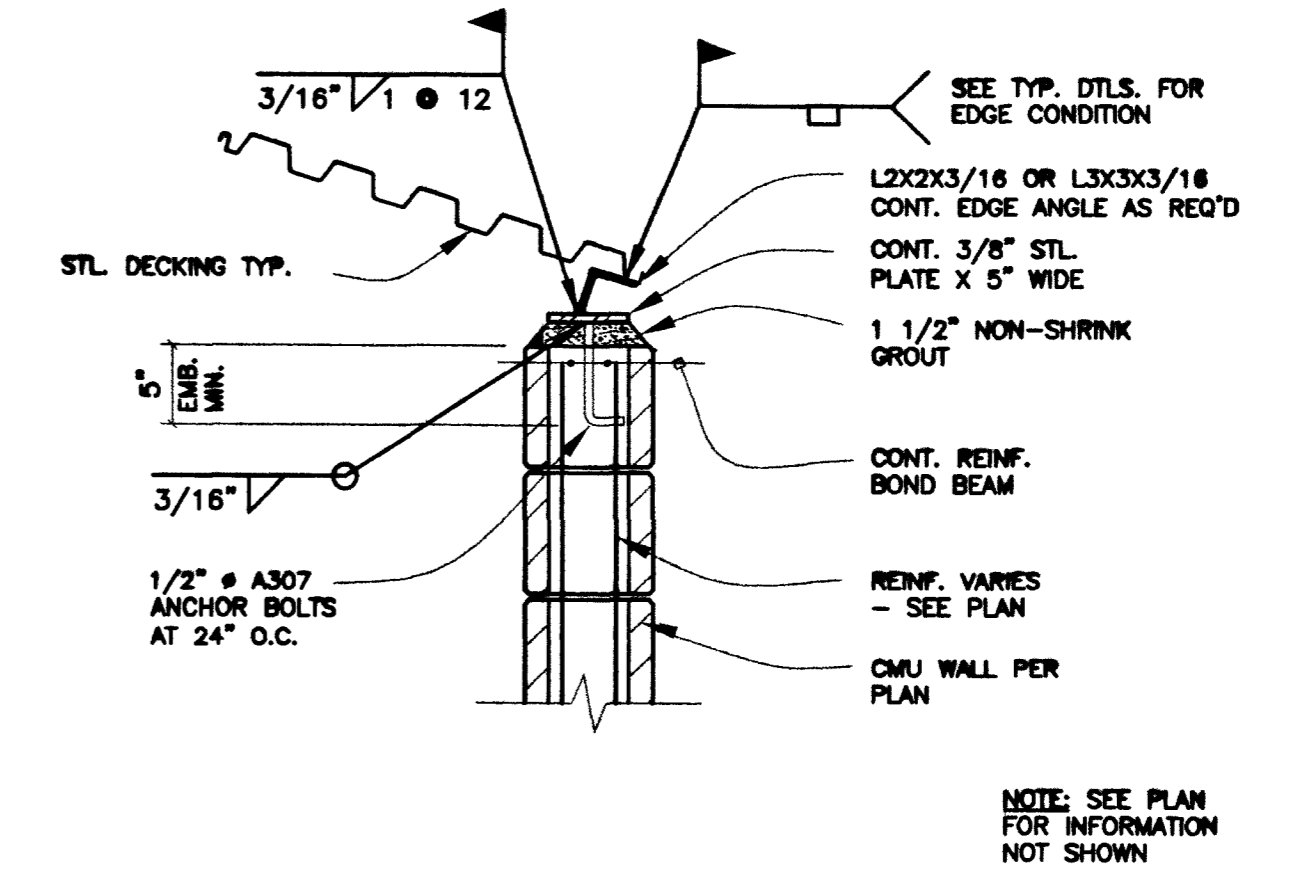
3 SECTION
1" = 1'-0"



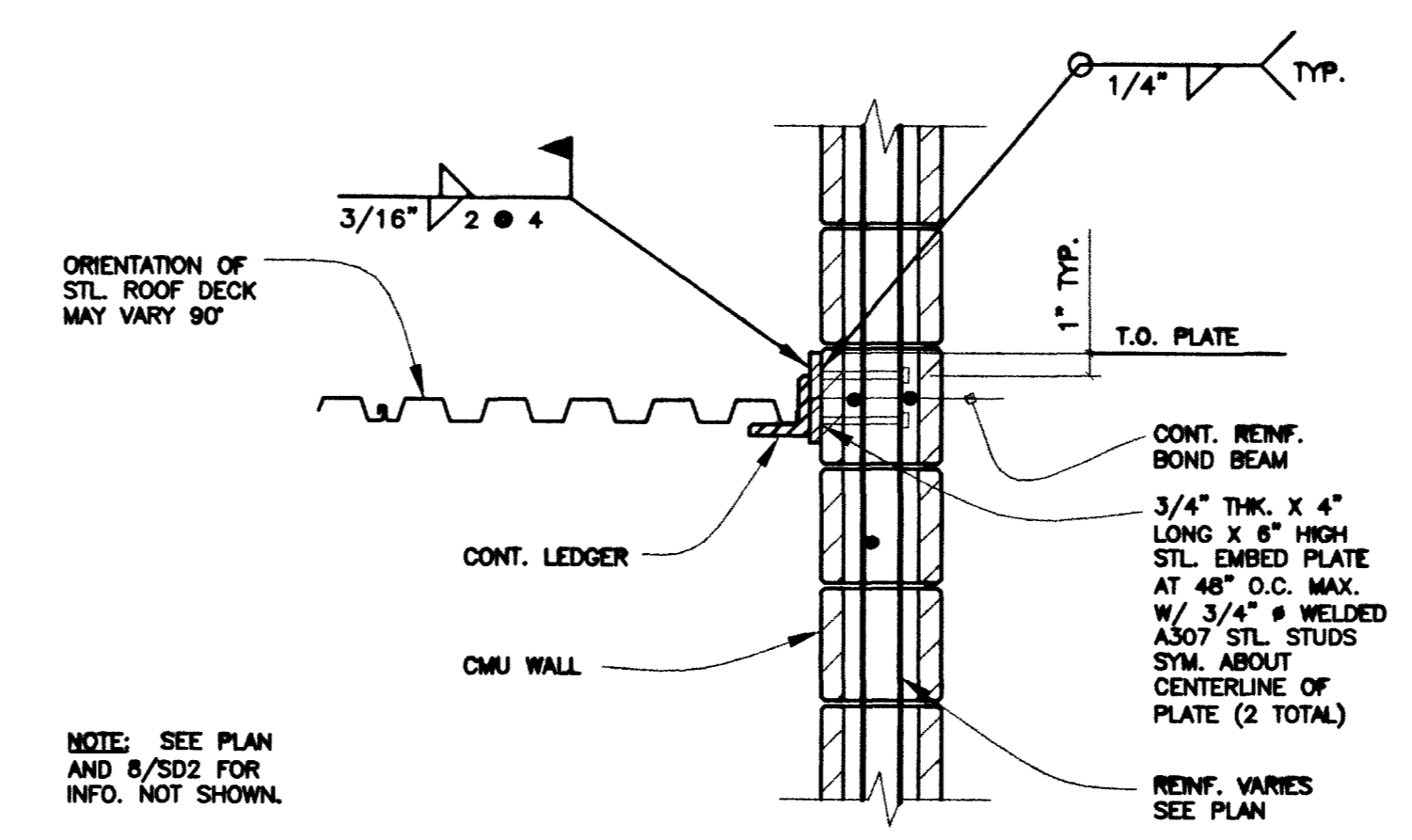
7 SECTION
1 1/2" = 1'-0"



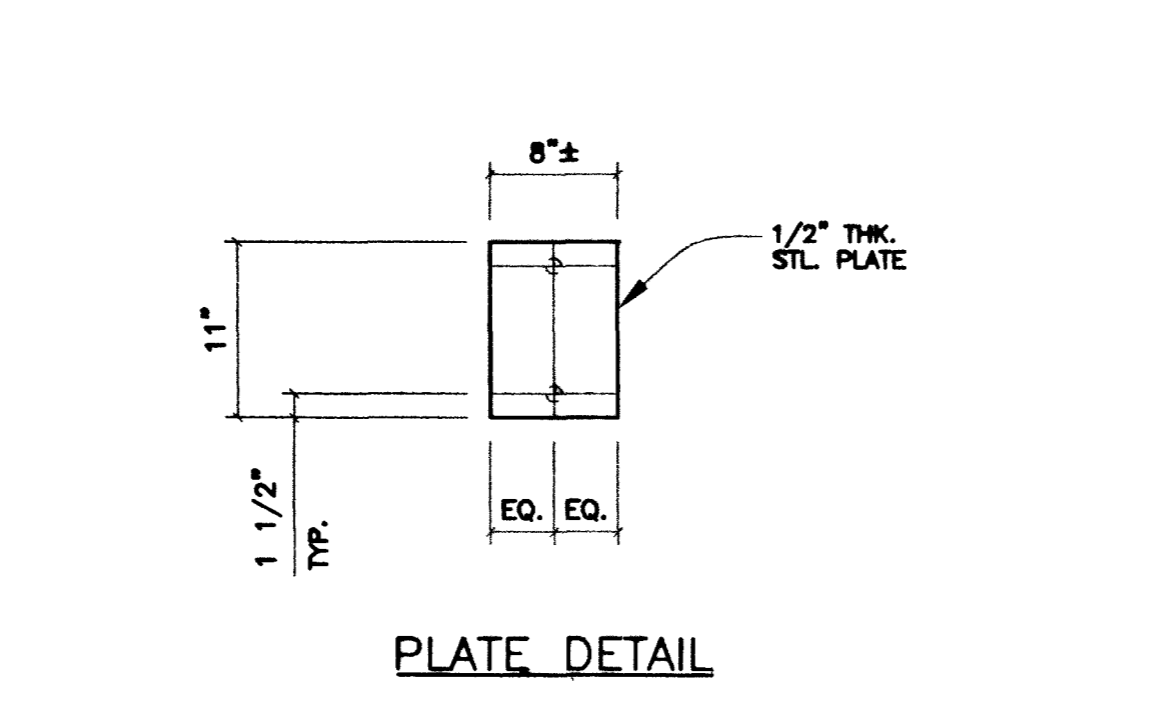
11 SECTION
1" = 1'-0"



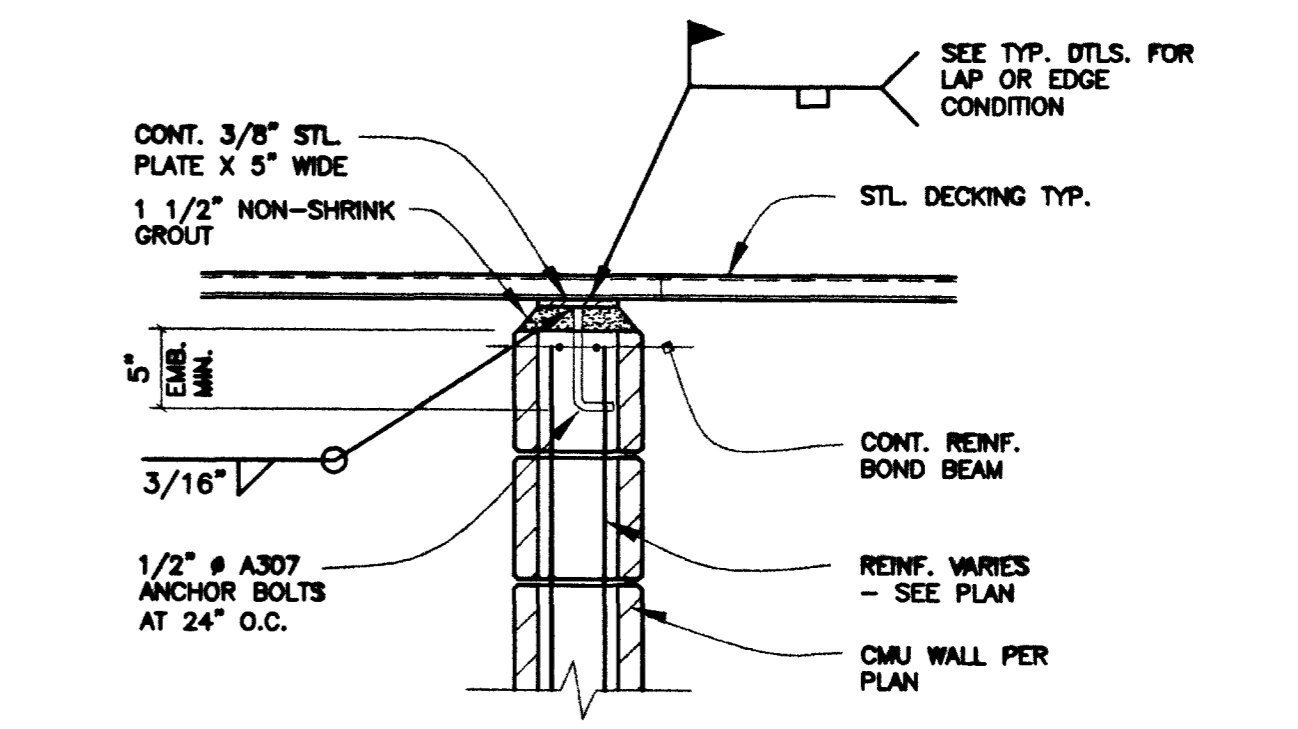
4 SECTION
1" = 1'-0"



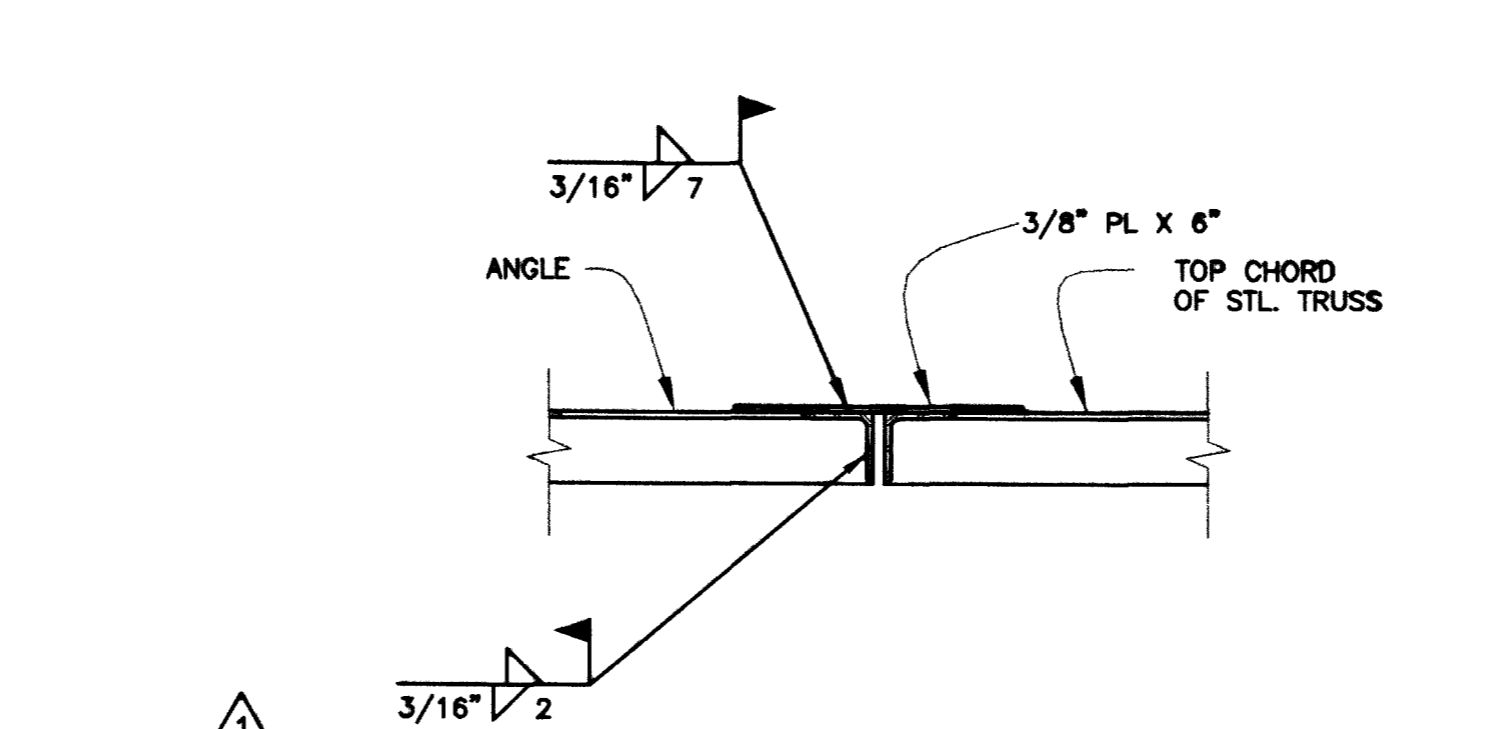
8 SECTION
1" = 1'-0"



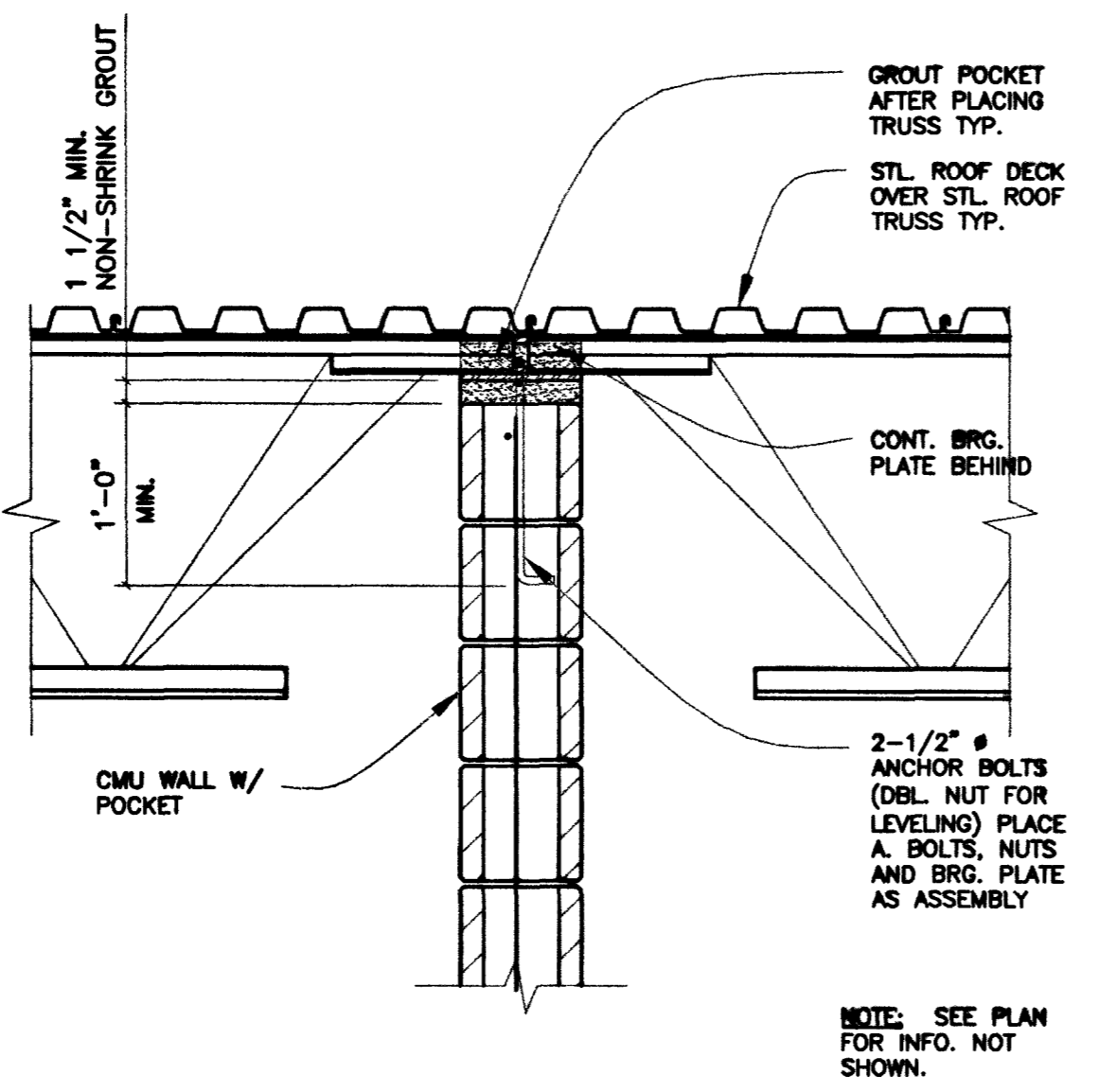
11 SECTION
1" = 1'-0"



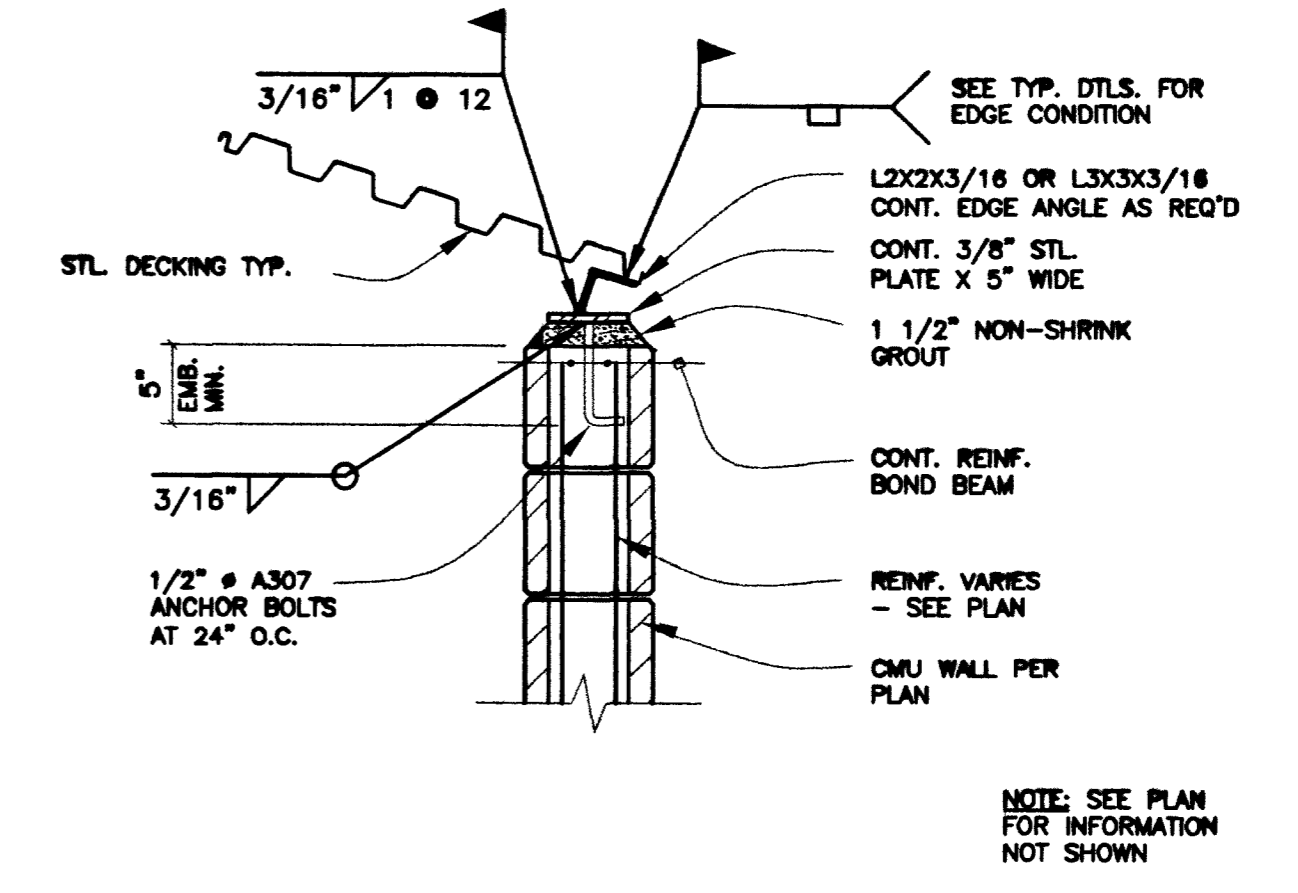
3 SECTION
1" = 1'-0"



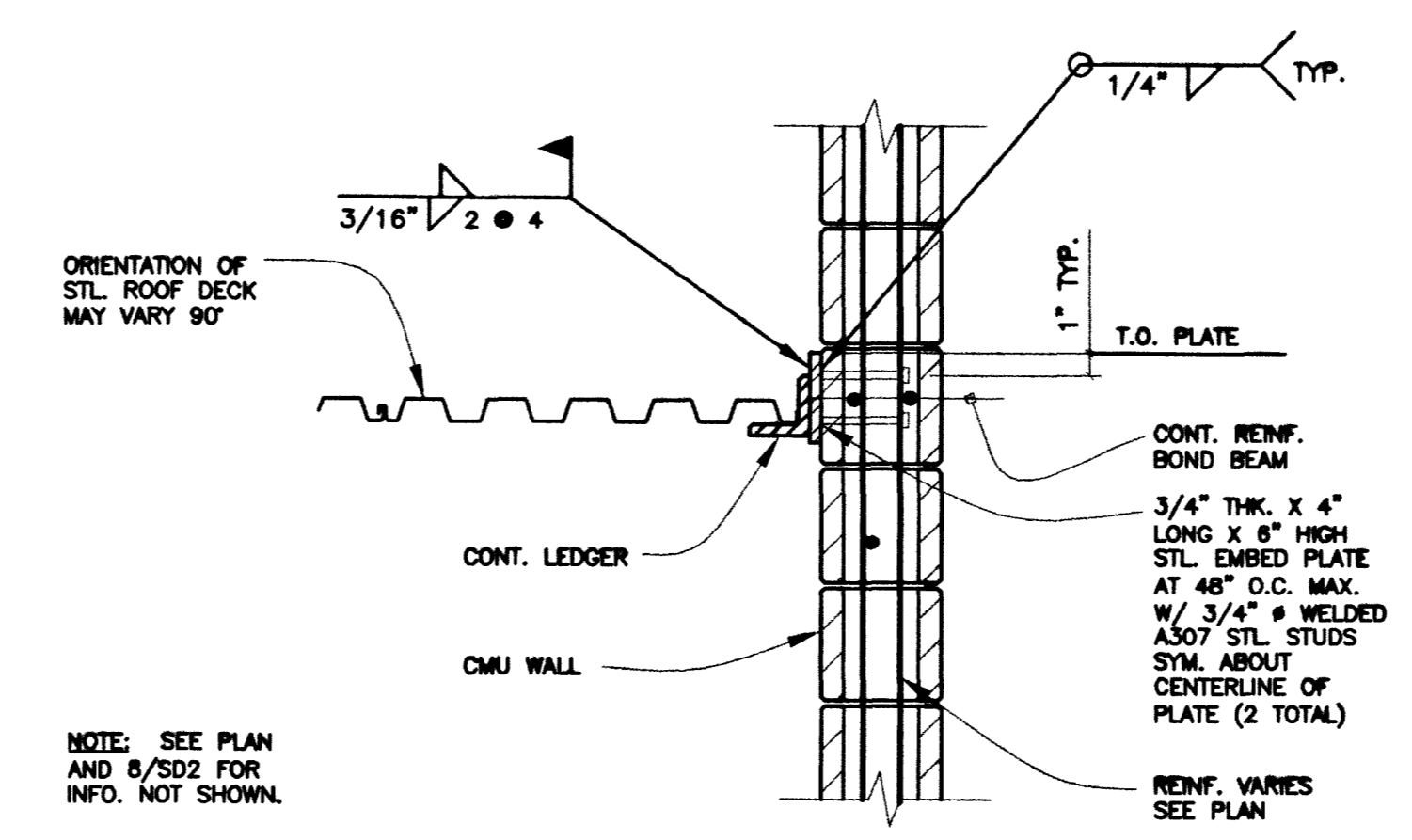
7 SECTION
1 1/2" = 1'-0"



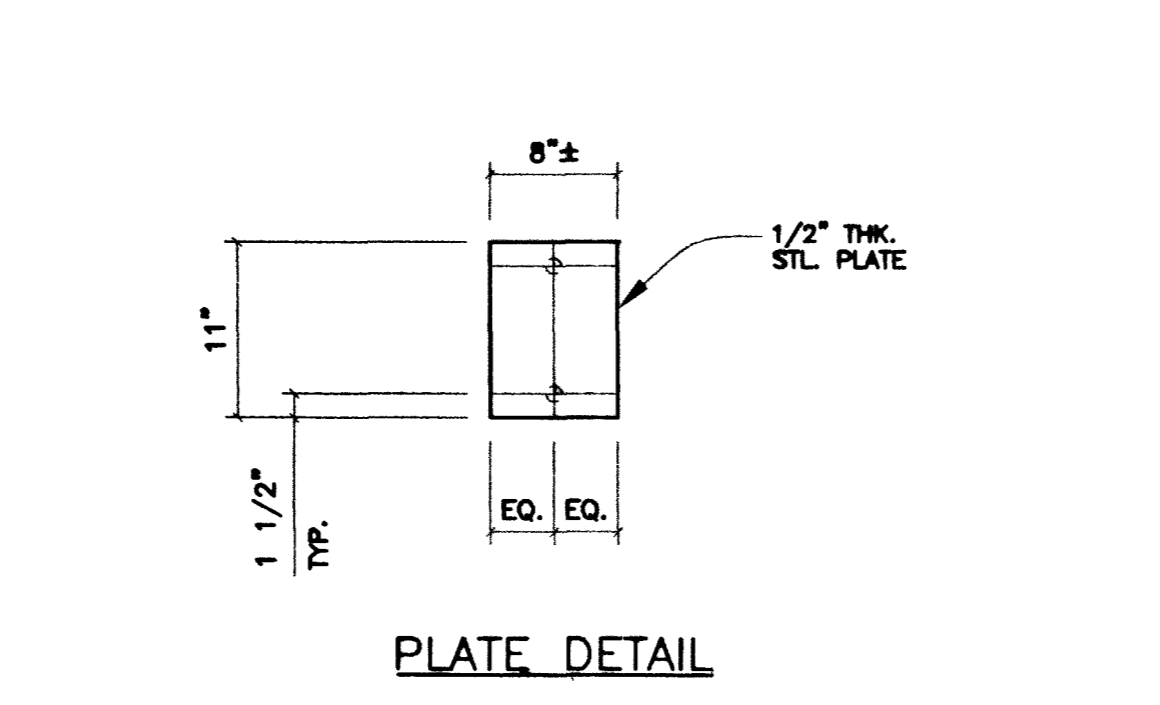
11 SECTION
1" = 1'-0"



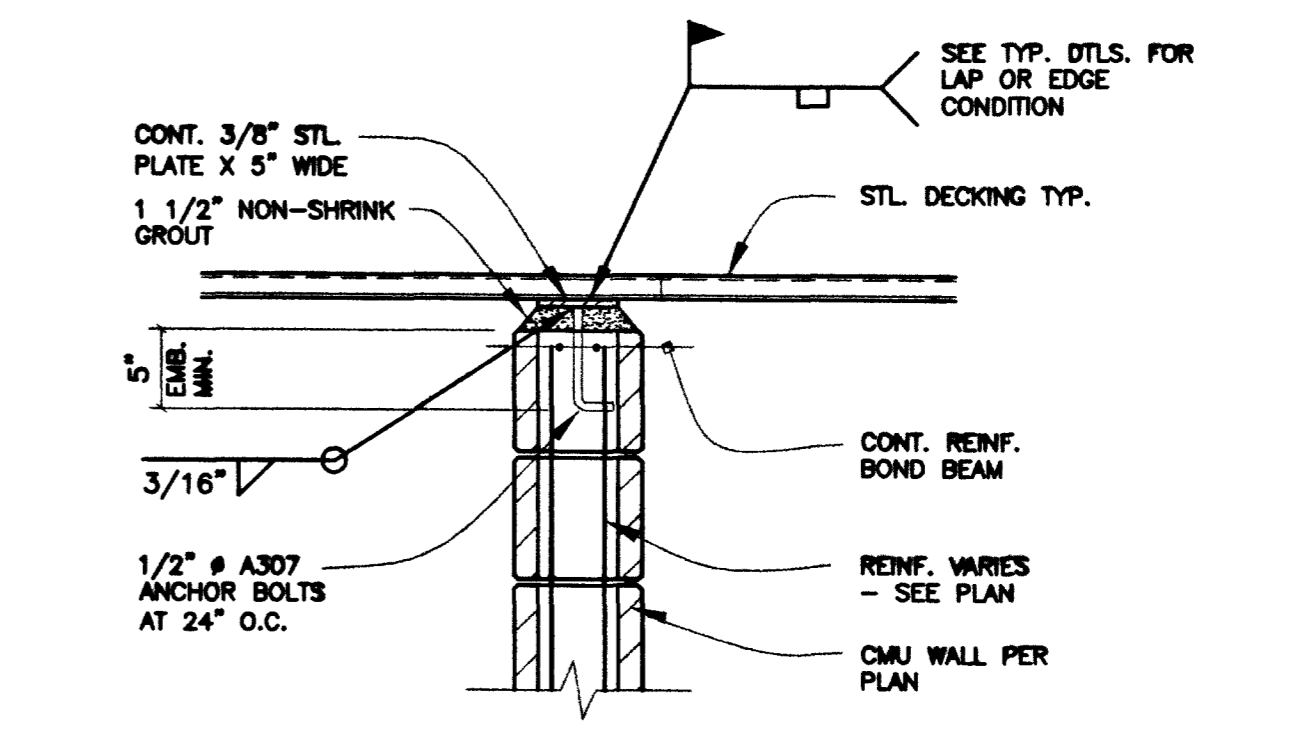
4 SECTION
1" = 1'-0"



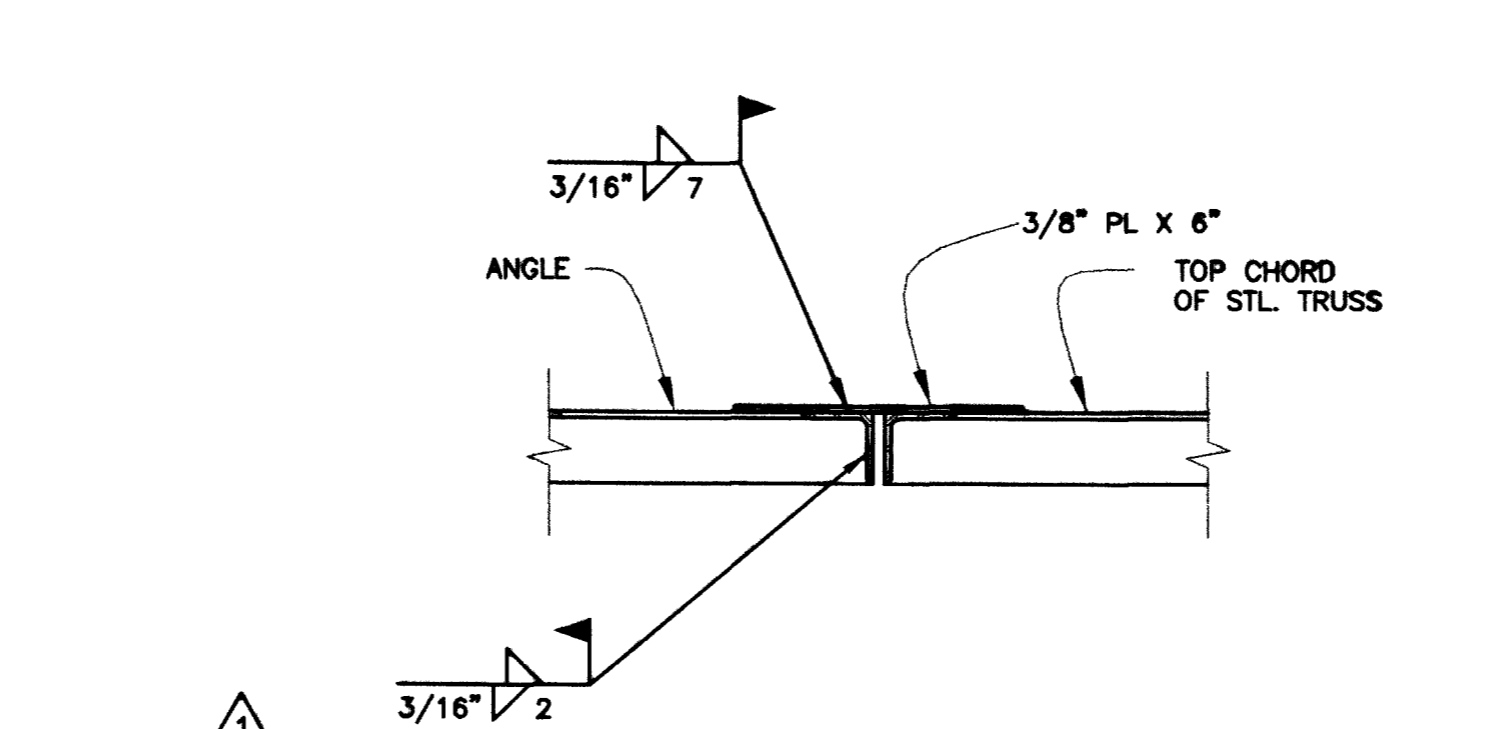
8 SECTION
1" = 1'-0"



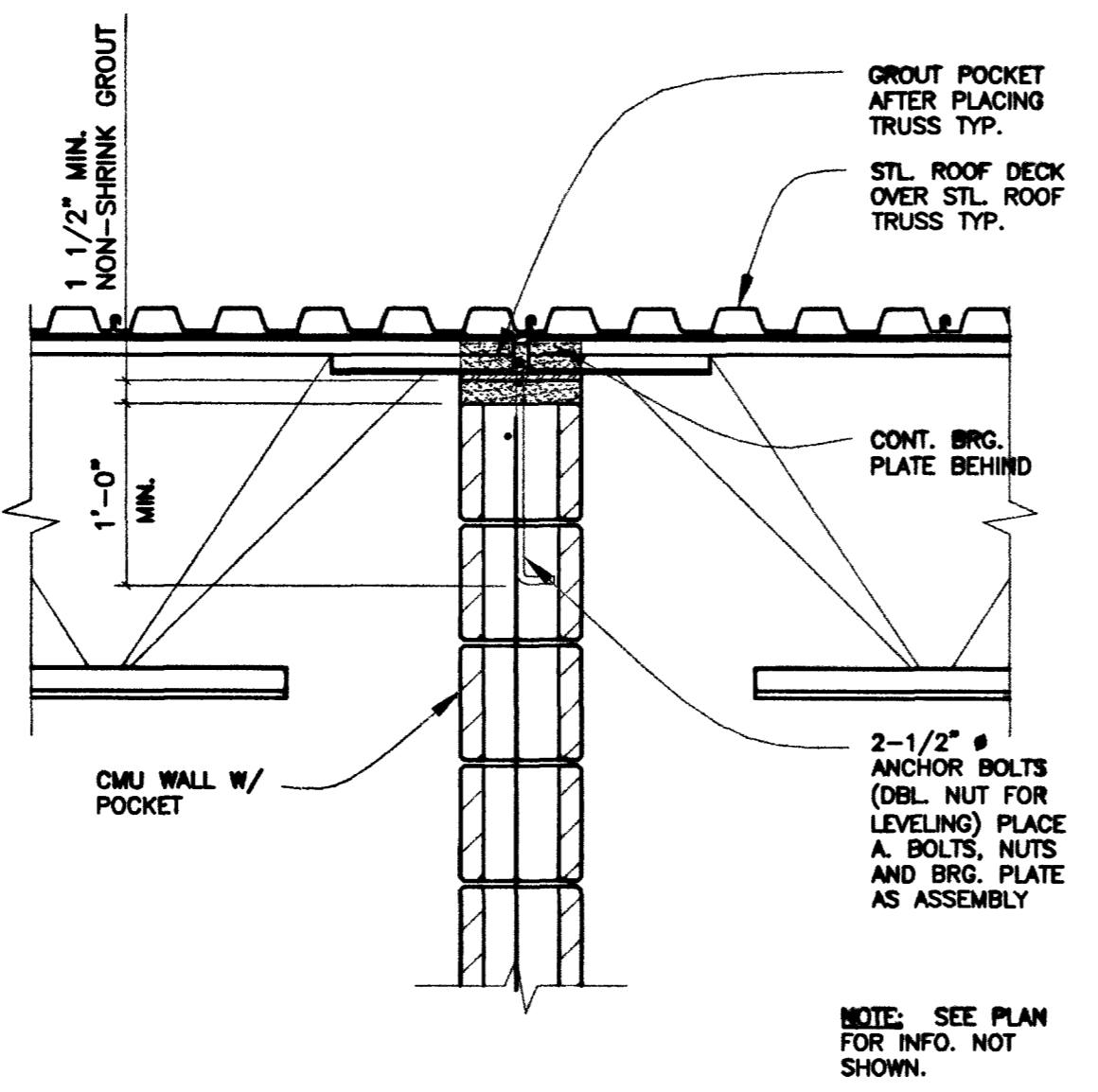
11 SECTION
1" = 1'-0"



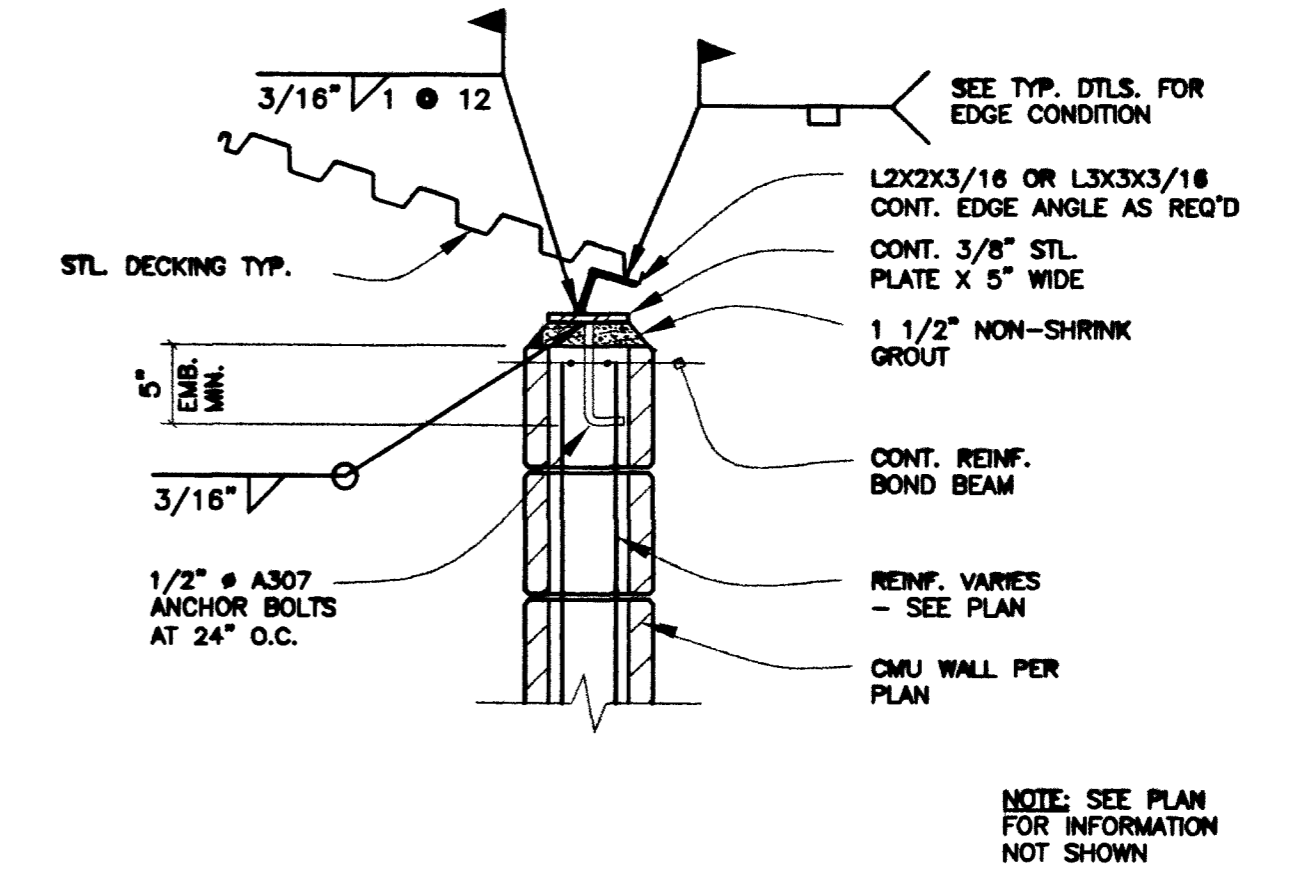
3 SECTION
1" = 1'-0"



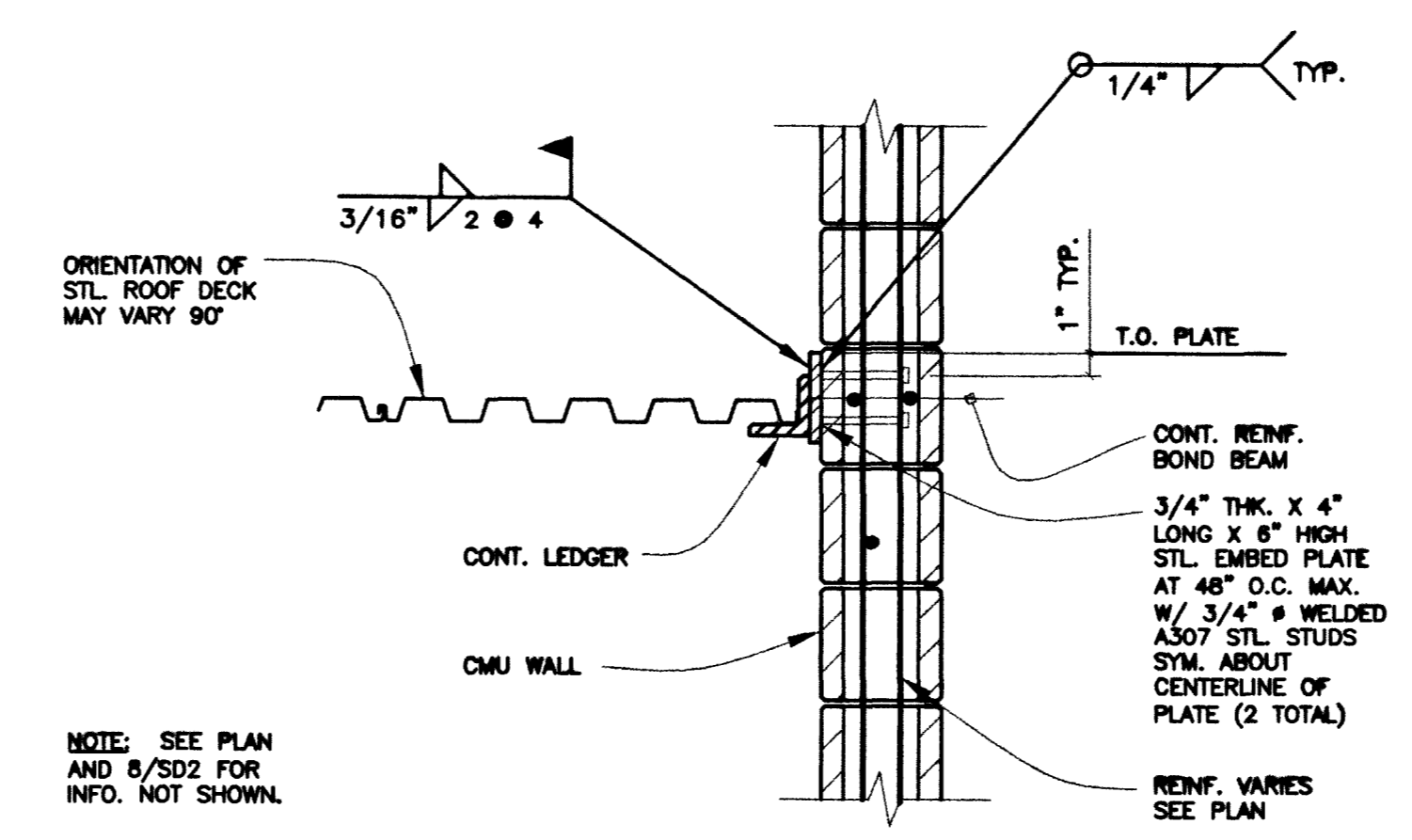
7 SECTION
1 1/2" = 1'-0"



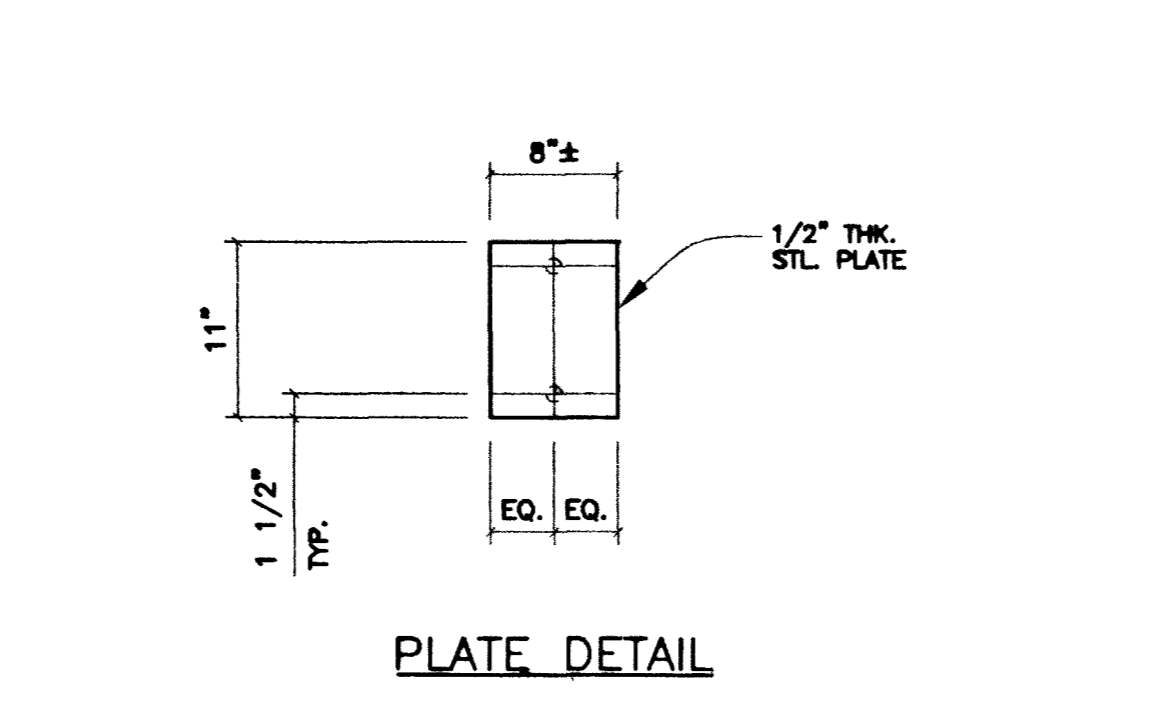
11 SECTION
1" = 1'-0"



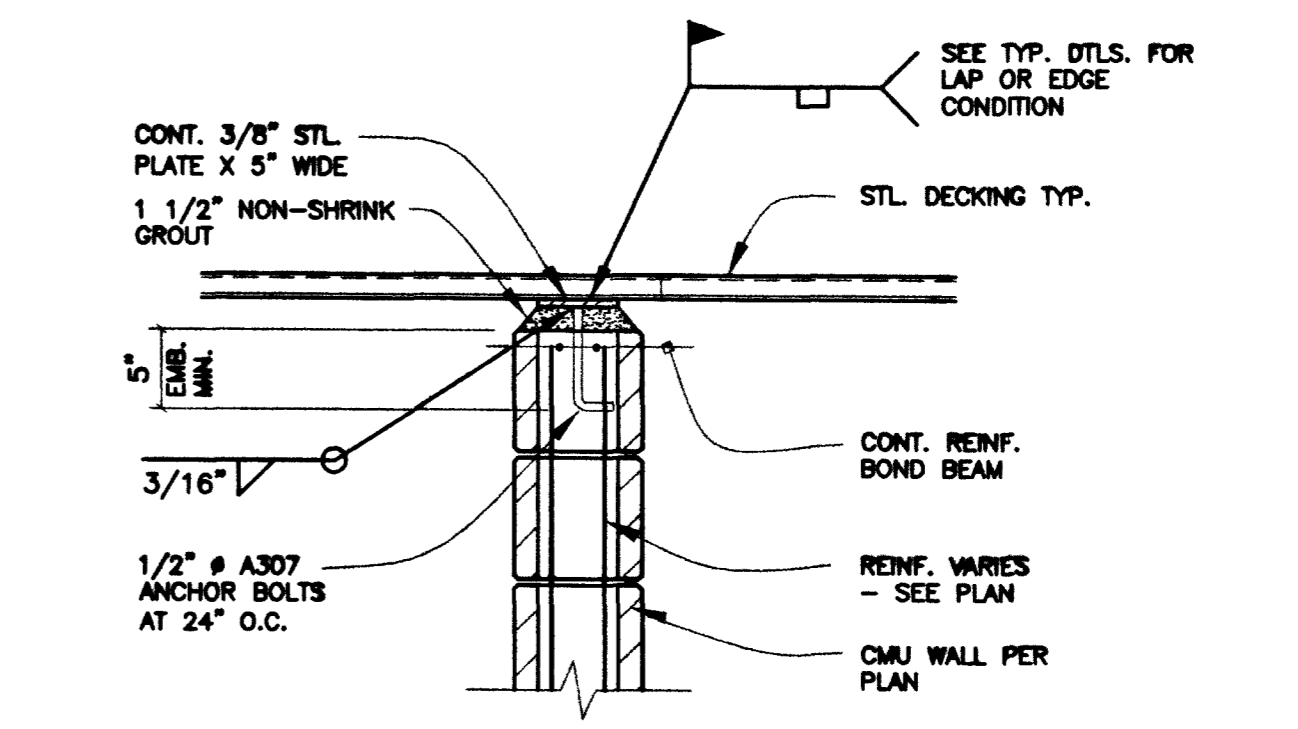
4 SECTION
1" = 1'-0"



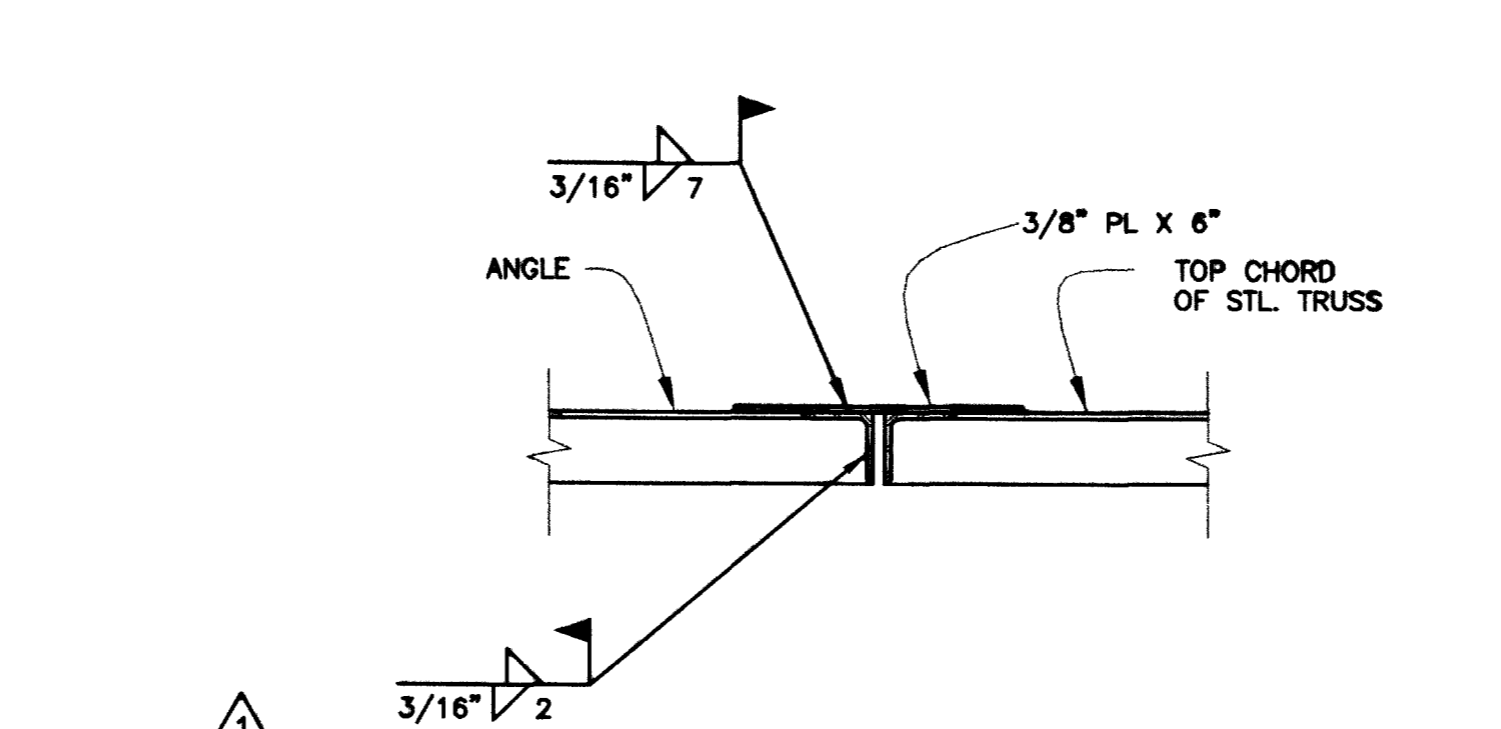
8 SECTION
1" = 1'-0"



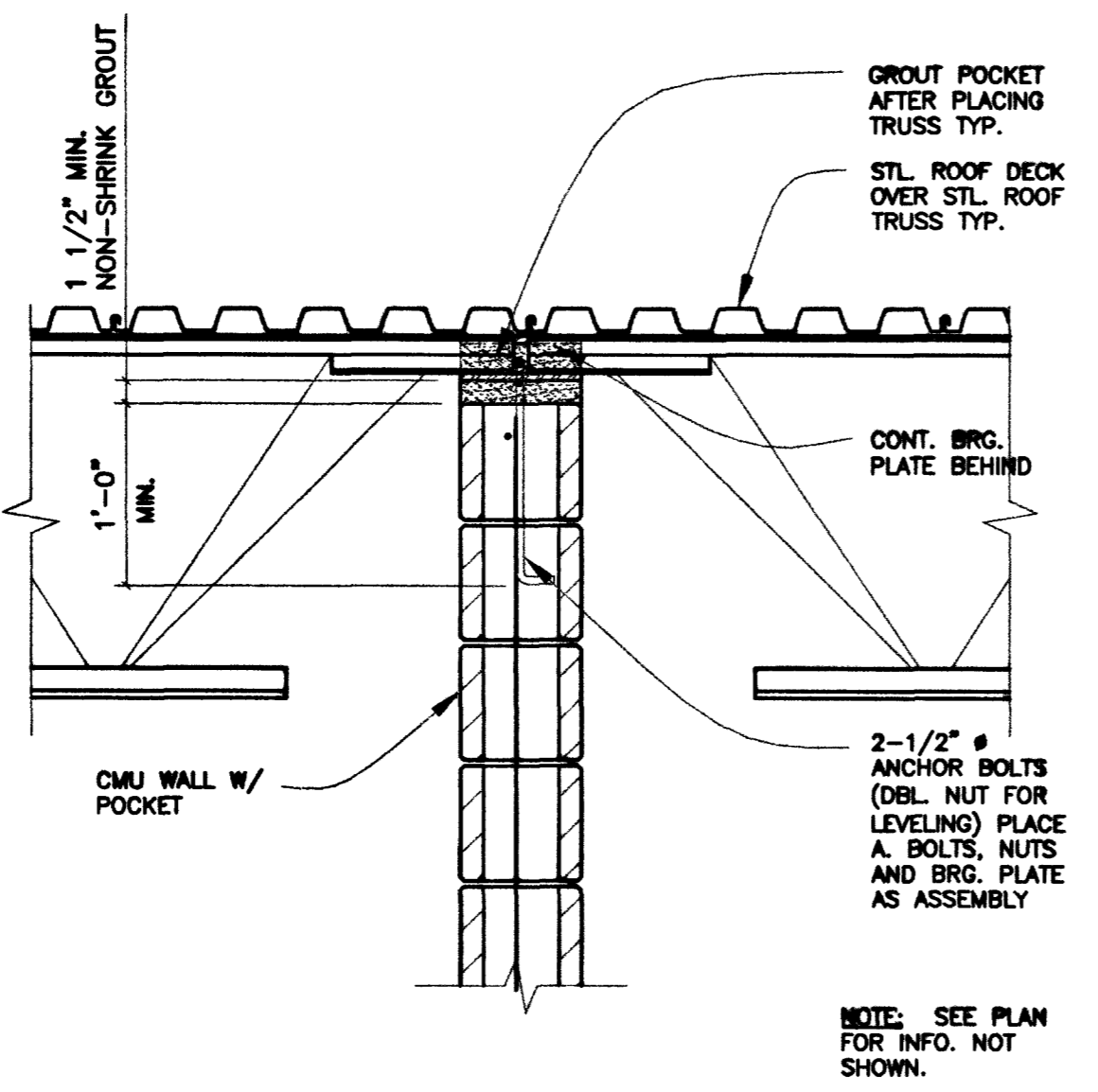
11 SECTION
1" = 1'-0"



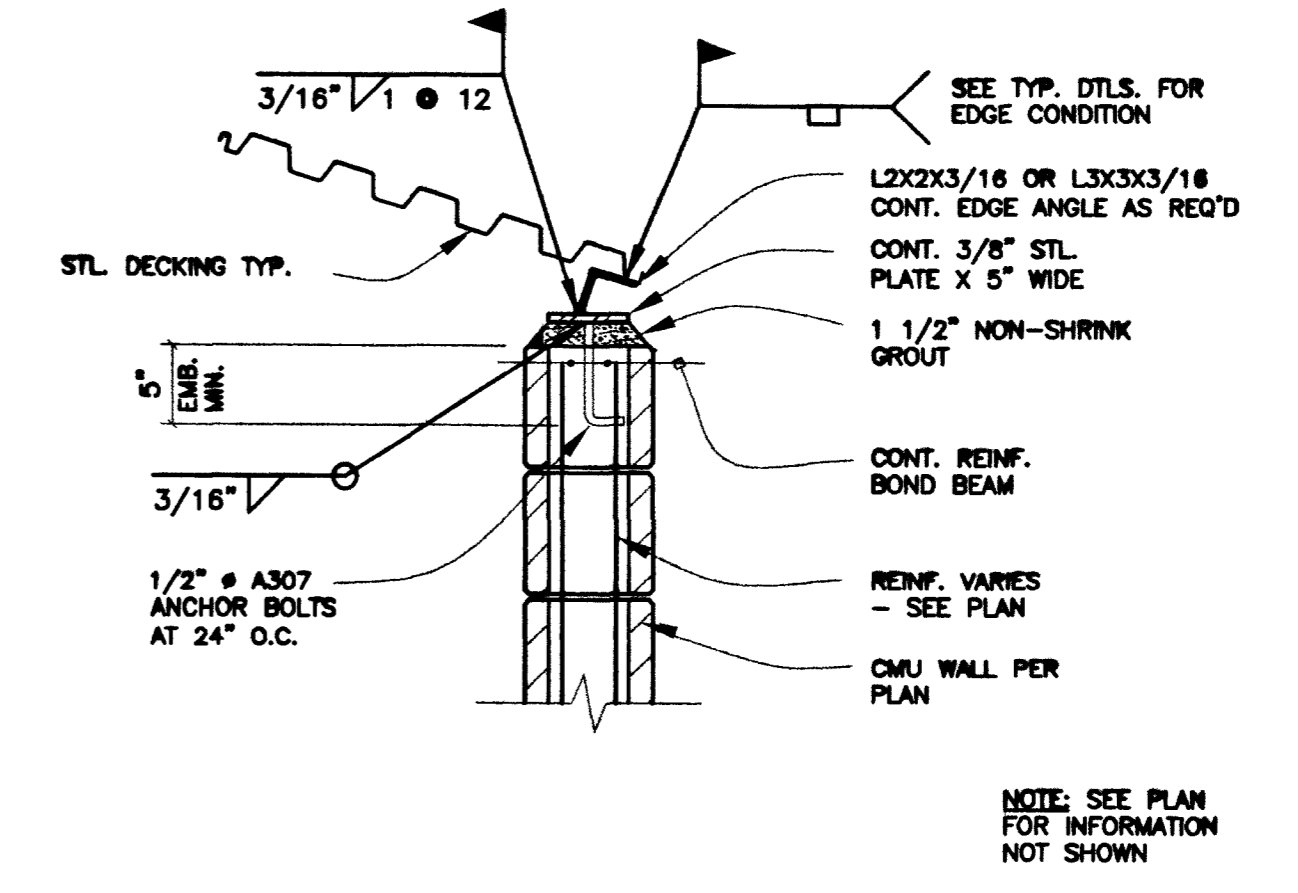
3 SECTION
1" = 1'-0"



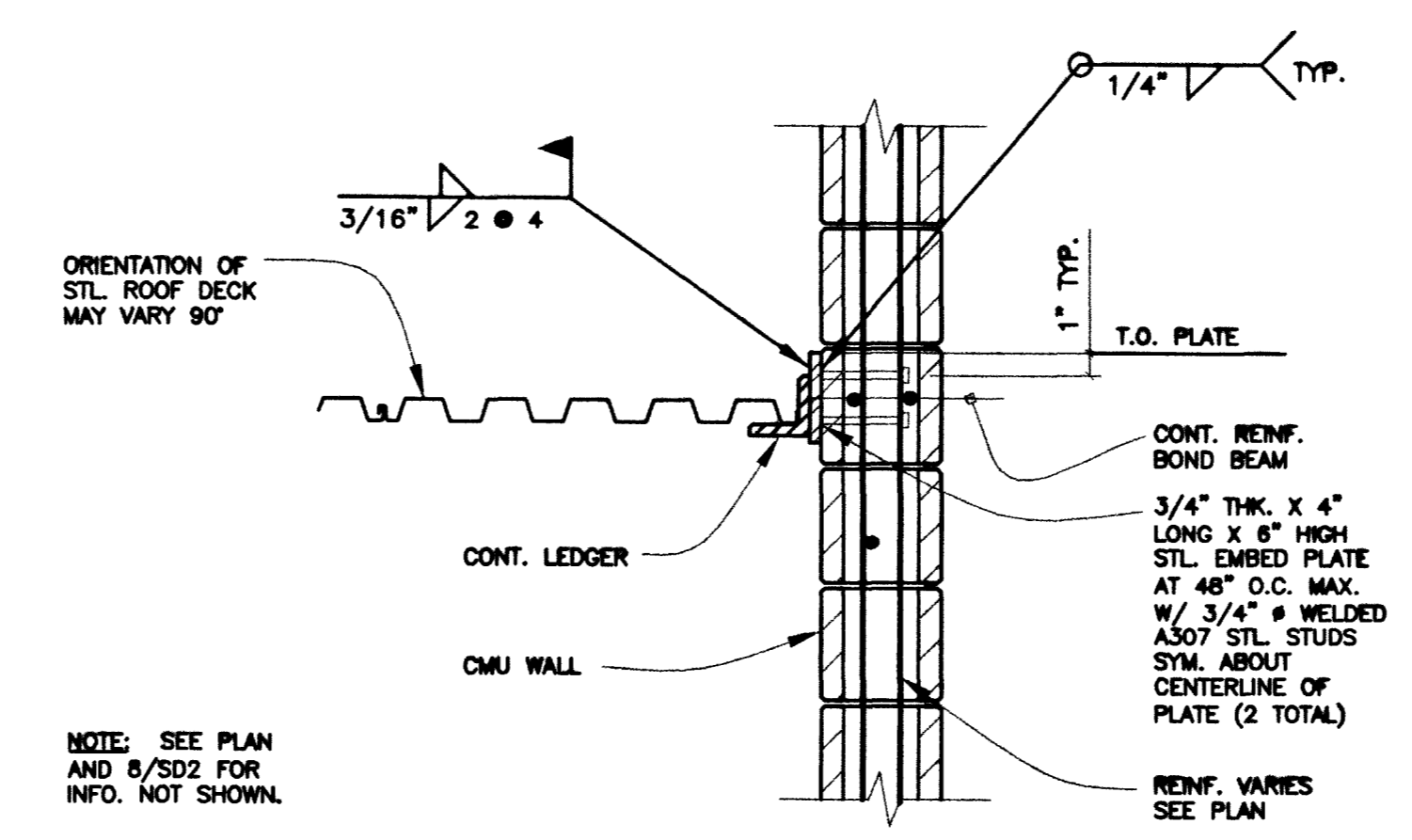
7 SECTION
1 1/2" = 1'-0"



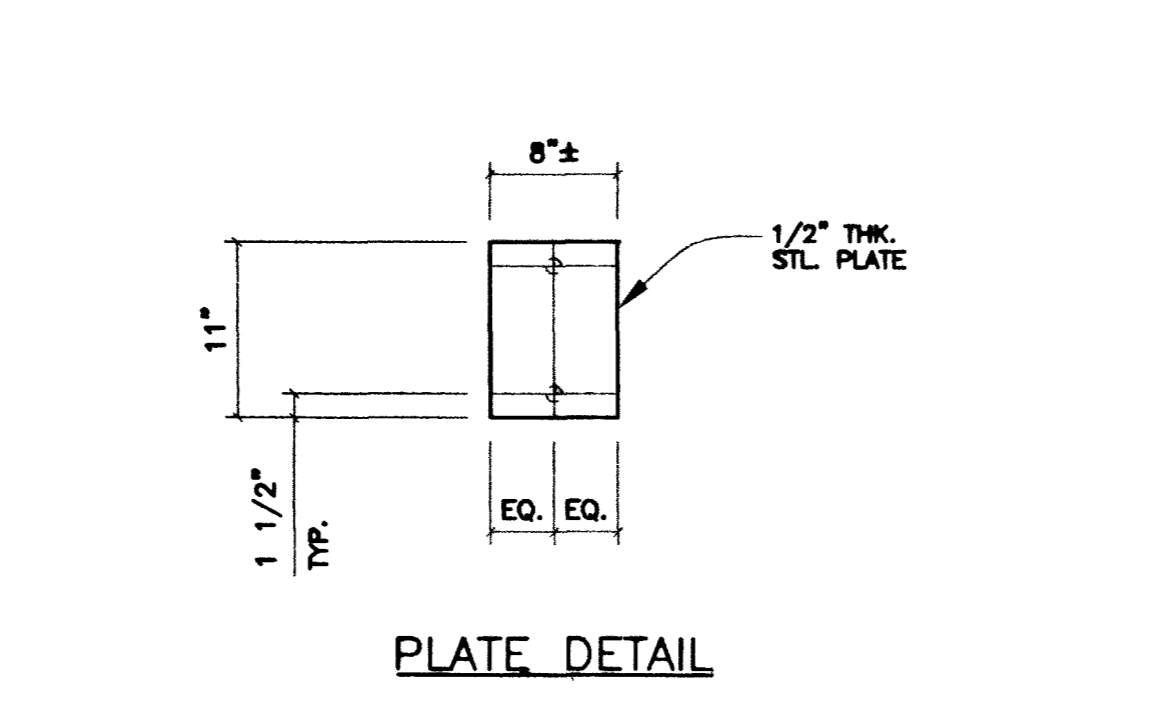
11 SECTION
1" = 1'-0"



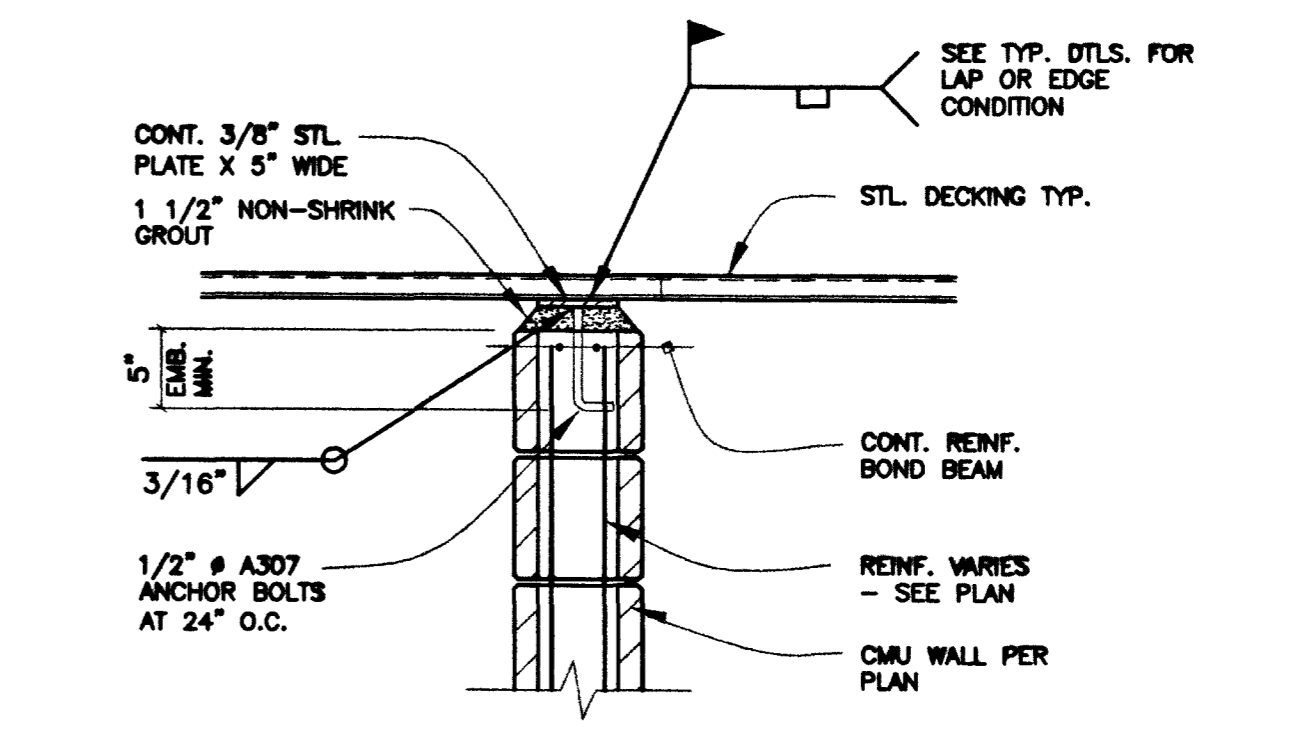
4 SECTION
1" = 1'-0"



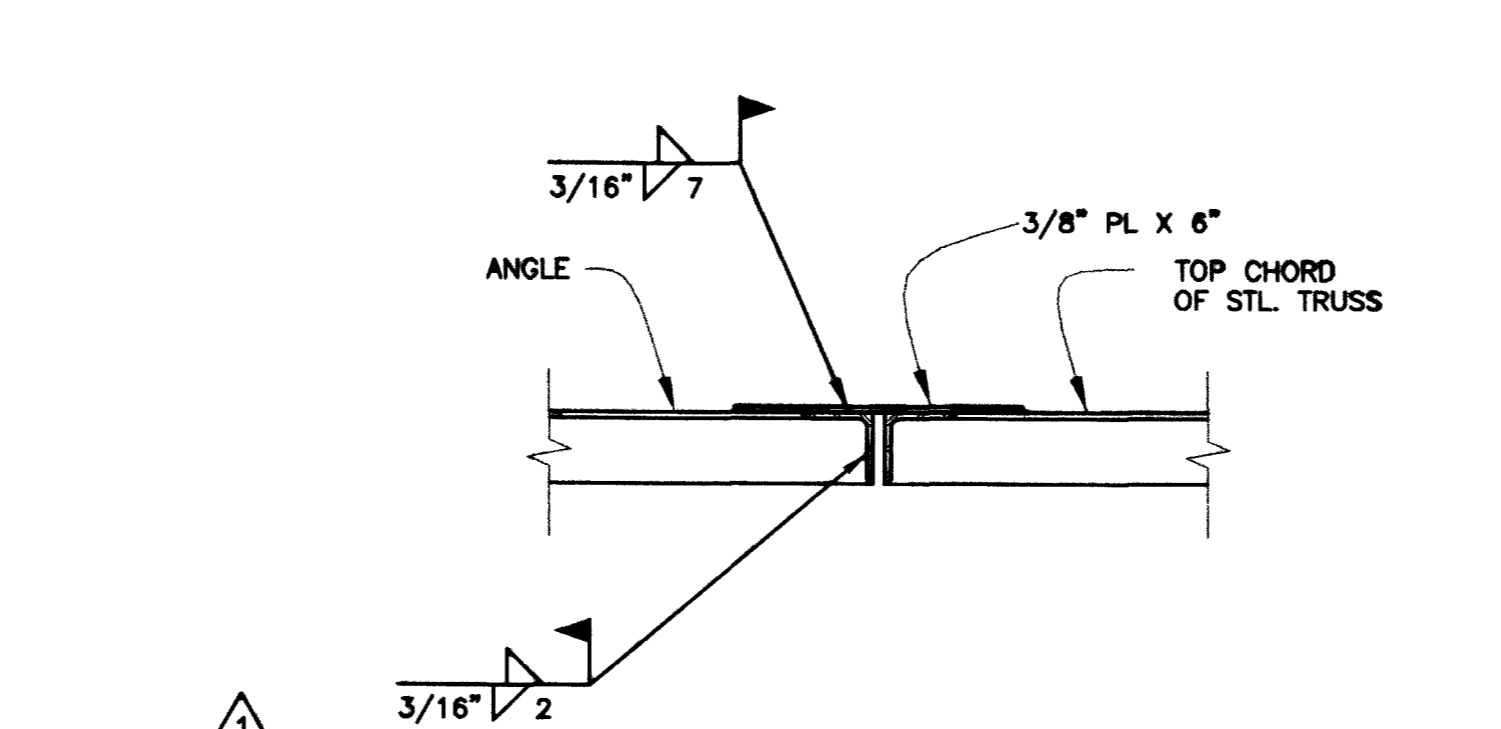
8 SECTION
1" = 1'-0"



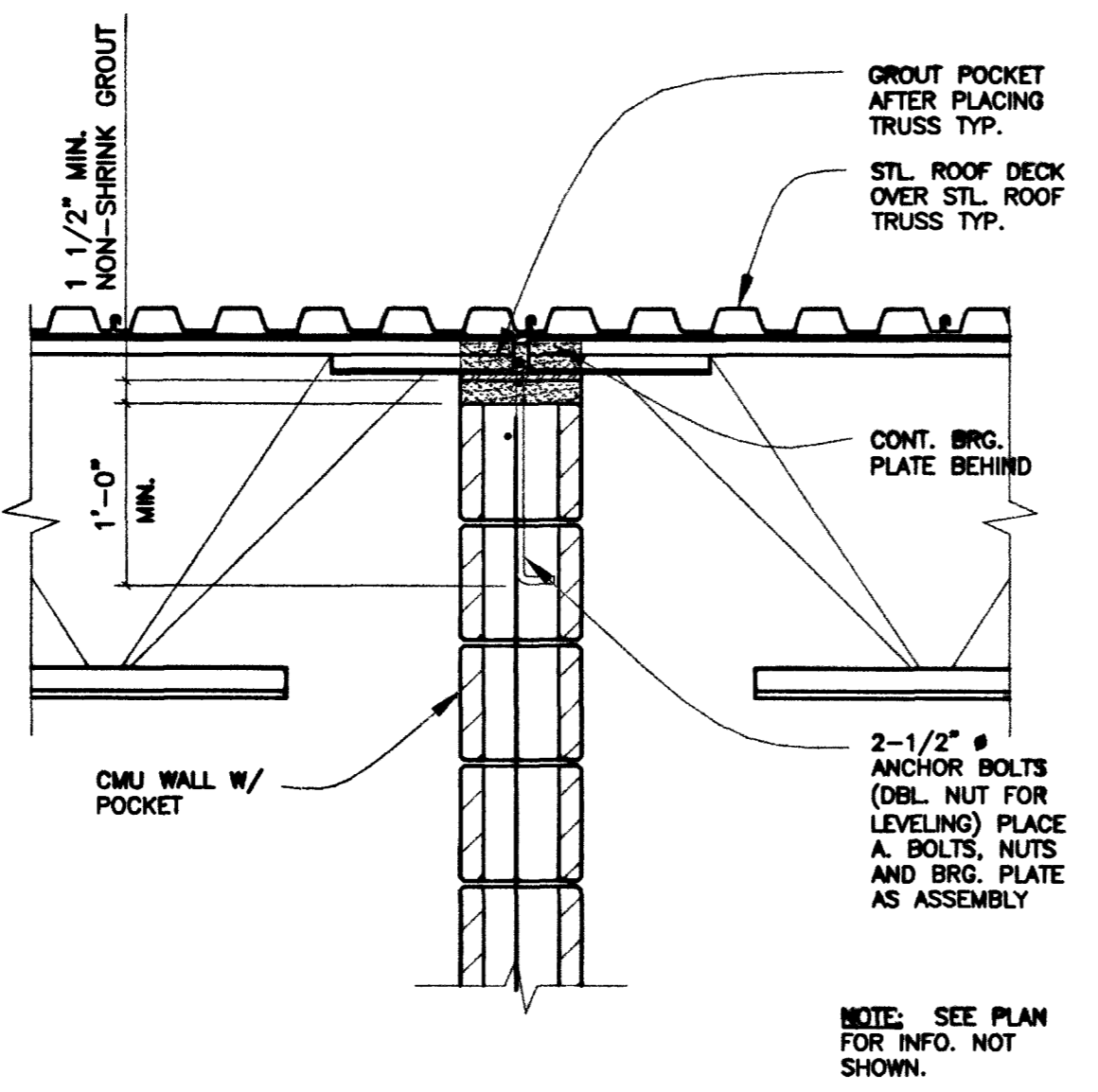
11 SECTION
1" = 1'-0"



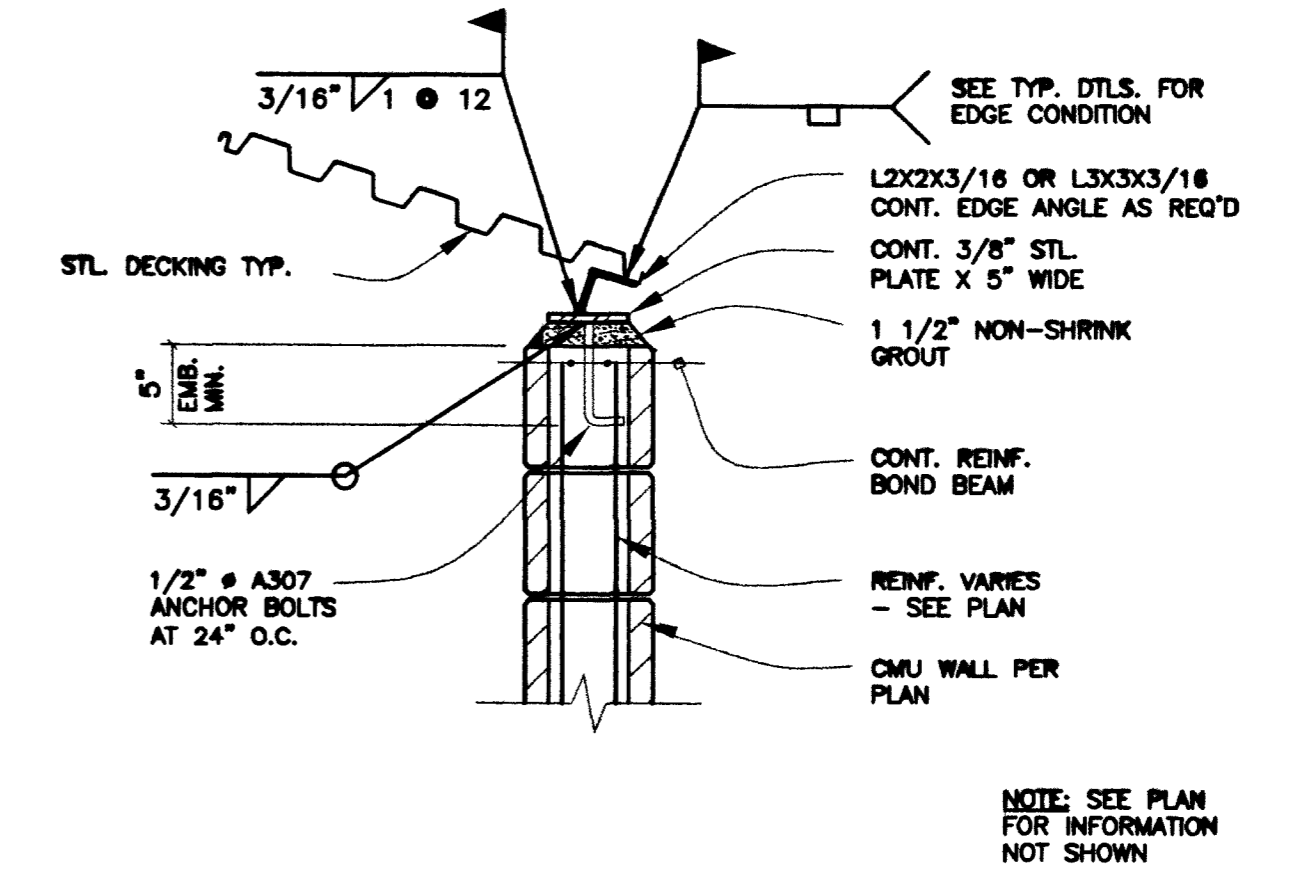
3 SECTION
1" = 1'-0"



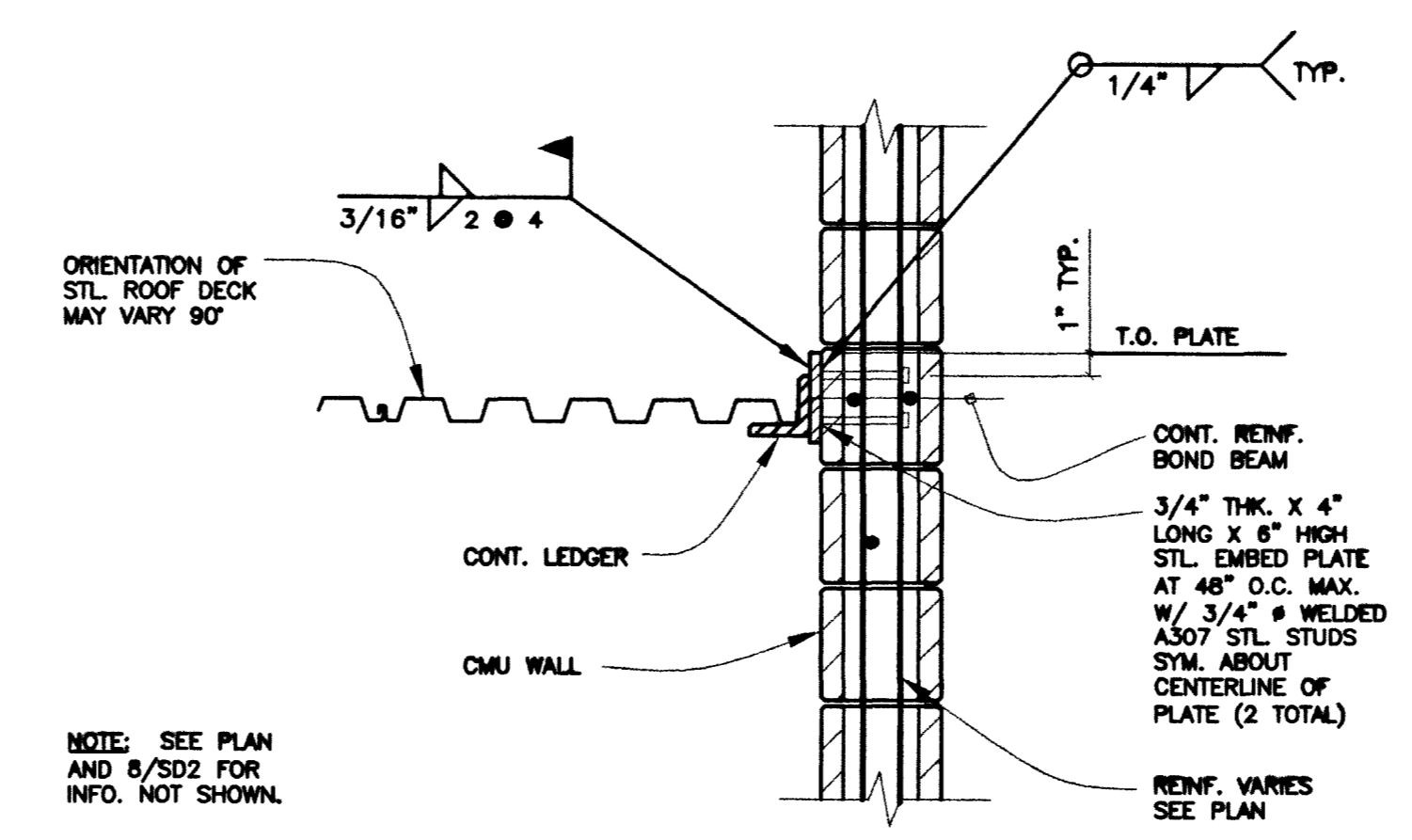
7 SECTION
1 1/2" = 1'-0"



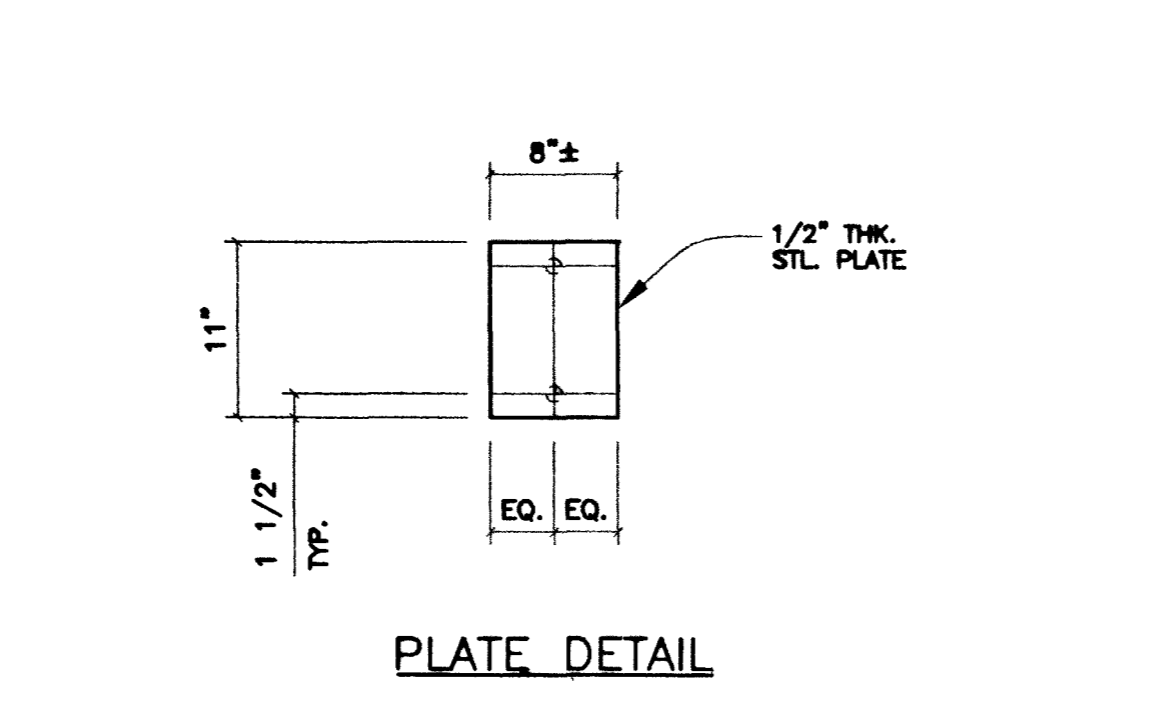
11 SECTION
1" = 1'-0"



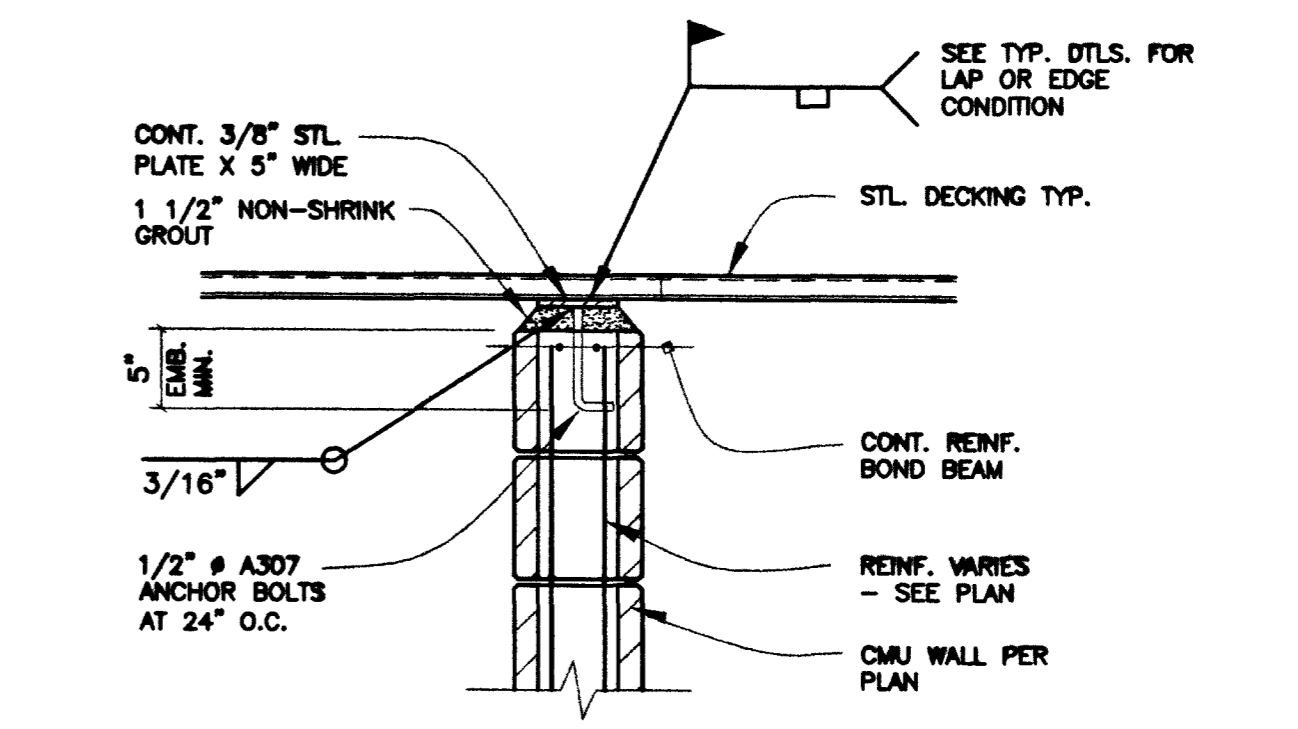
4 SECTION
1" = 1'-0"



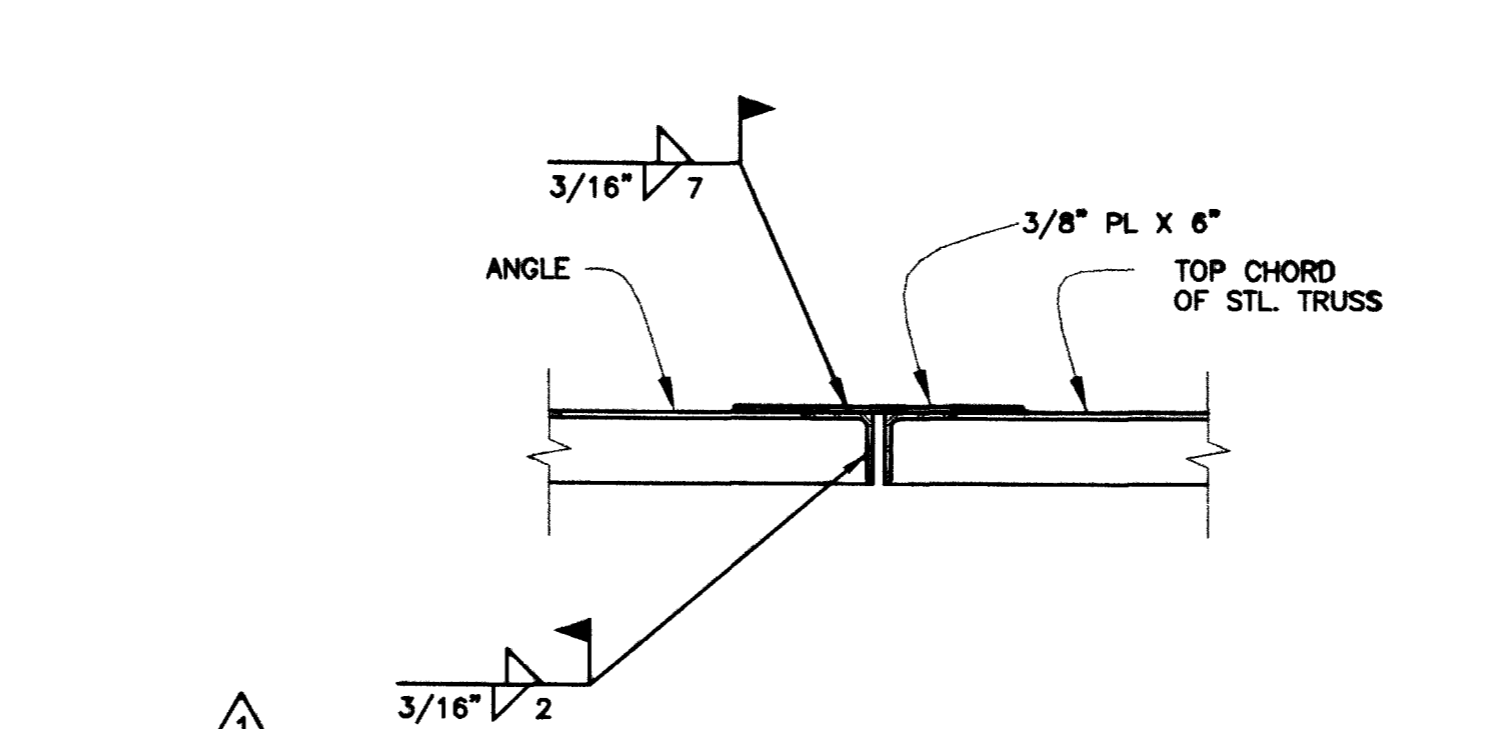
8 SECTION
1" = 1'-0"



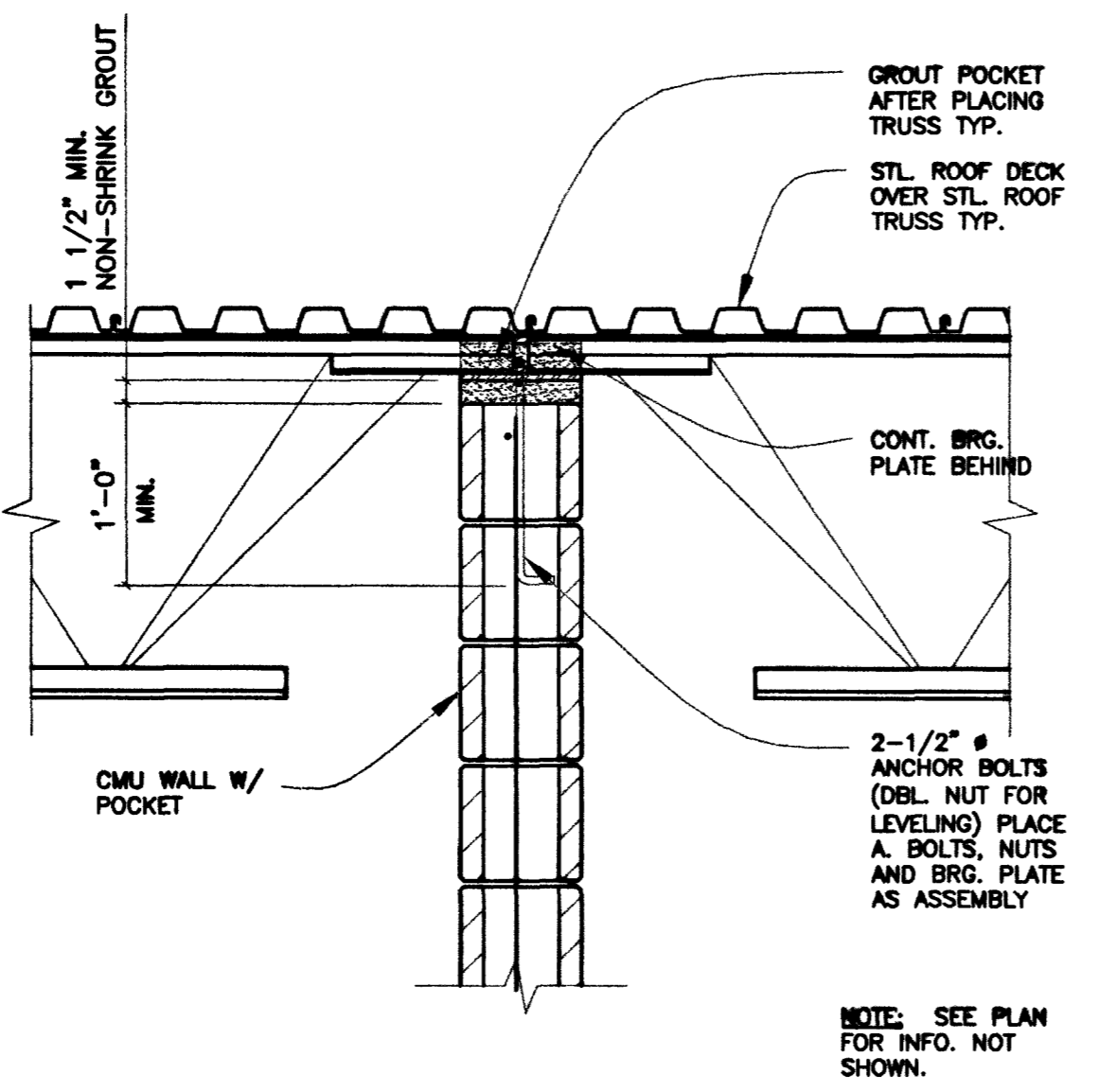
11 SECTION
1" = 1'-0"



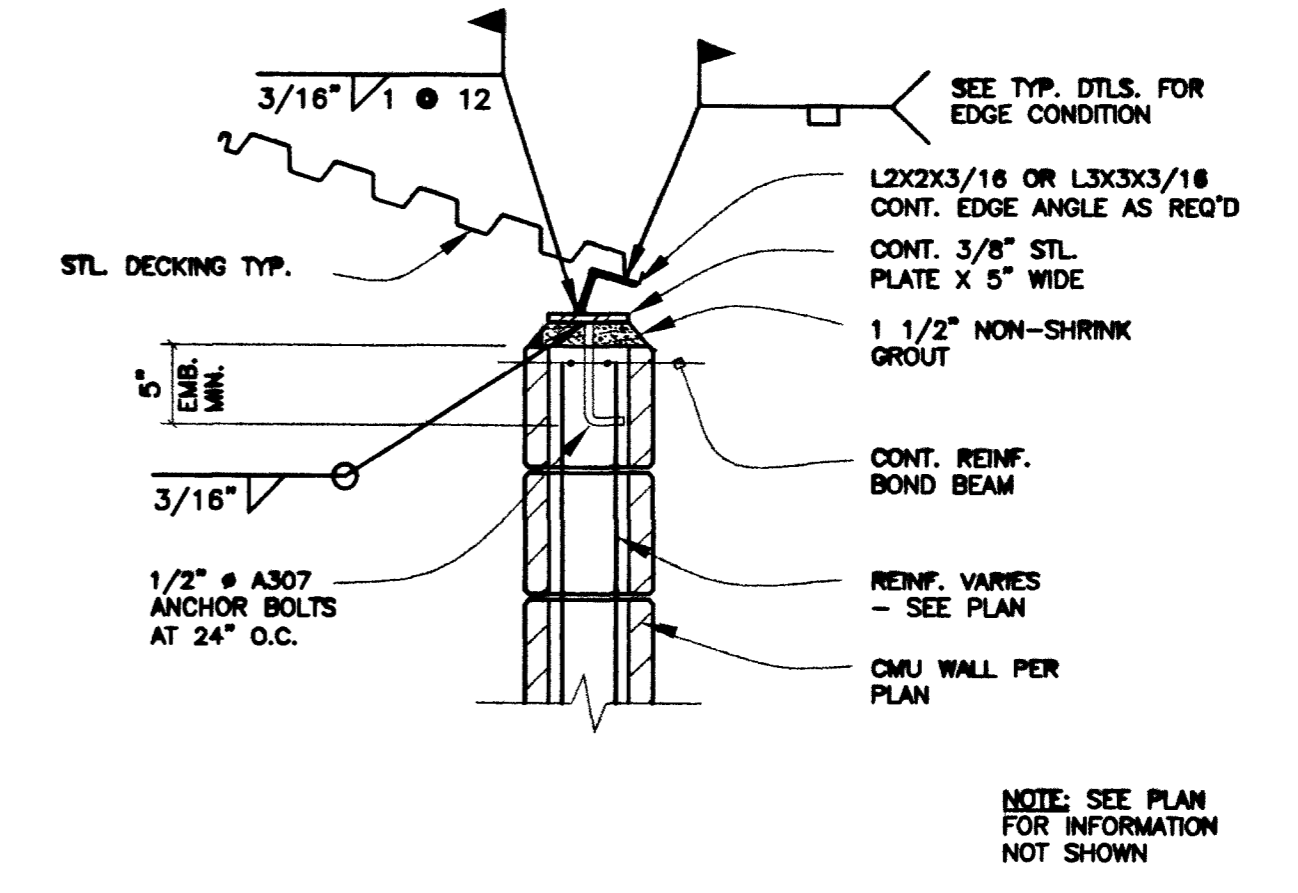
3 SECTION
1" = 1'-0"



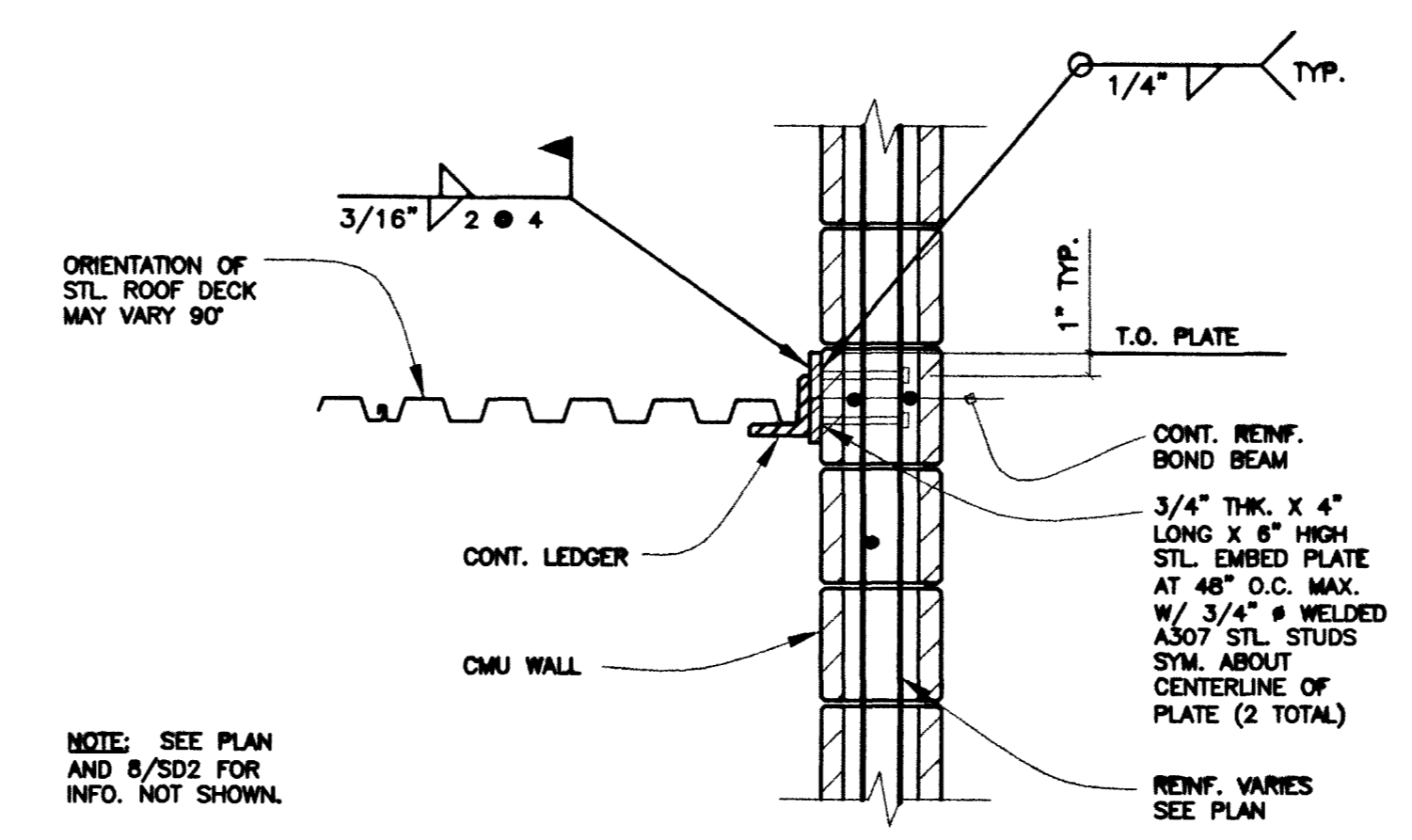
7 SECTION
1 1/2" = 1'-0"



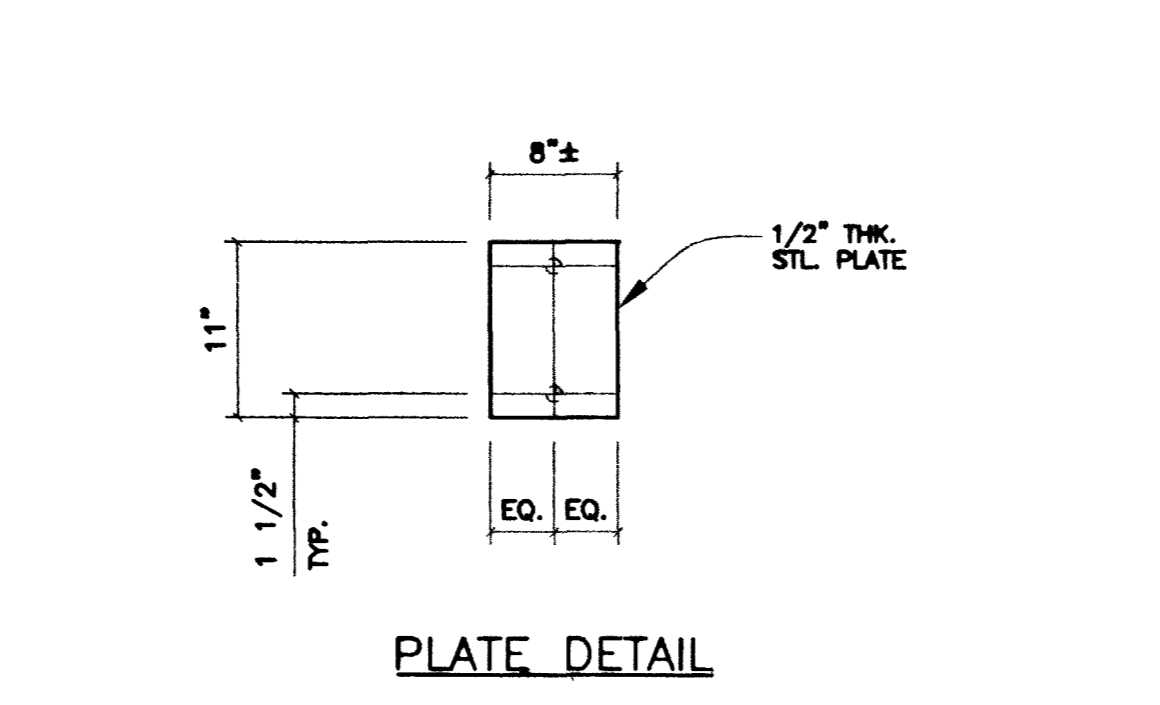
11 SECTION
1" = 1'-0"



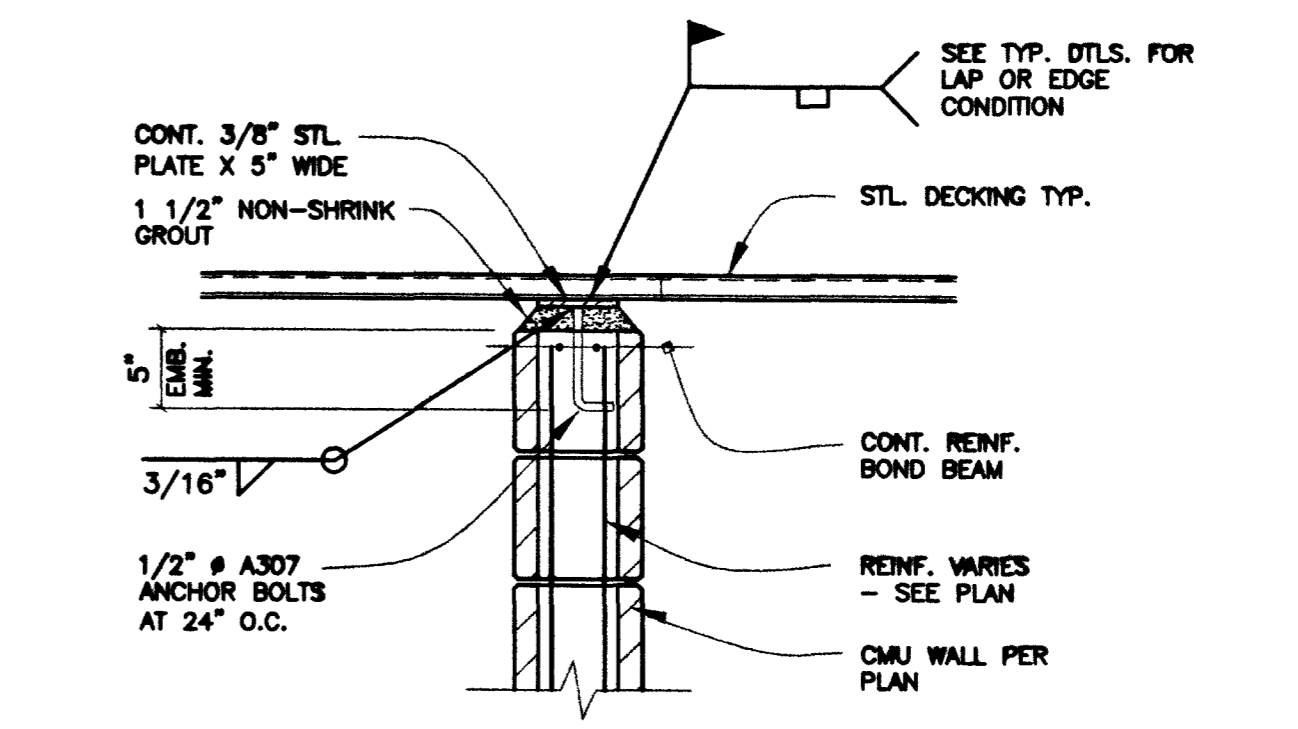
4 SECTION
1" = 1'-0"



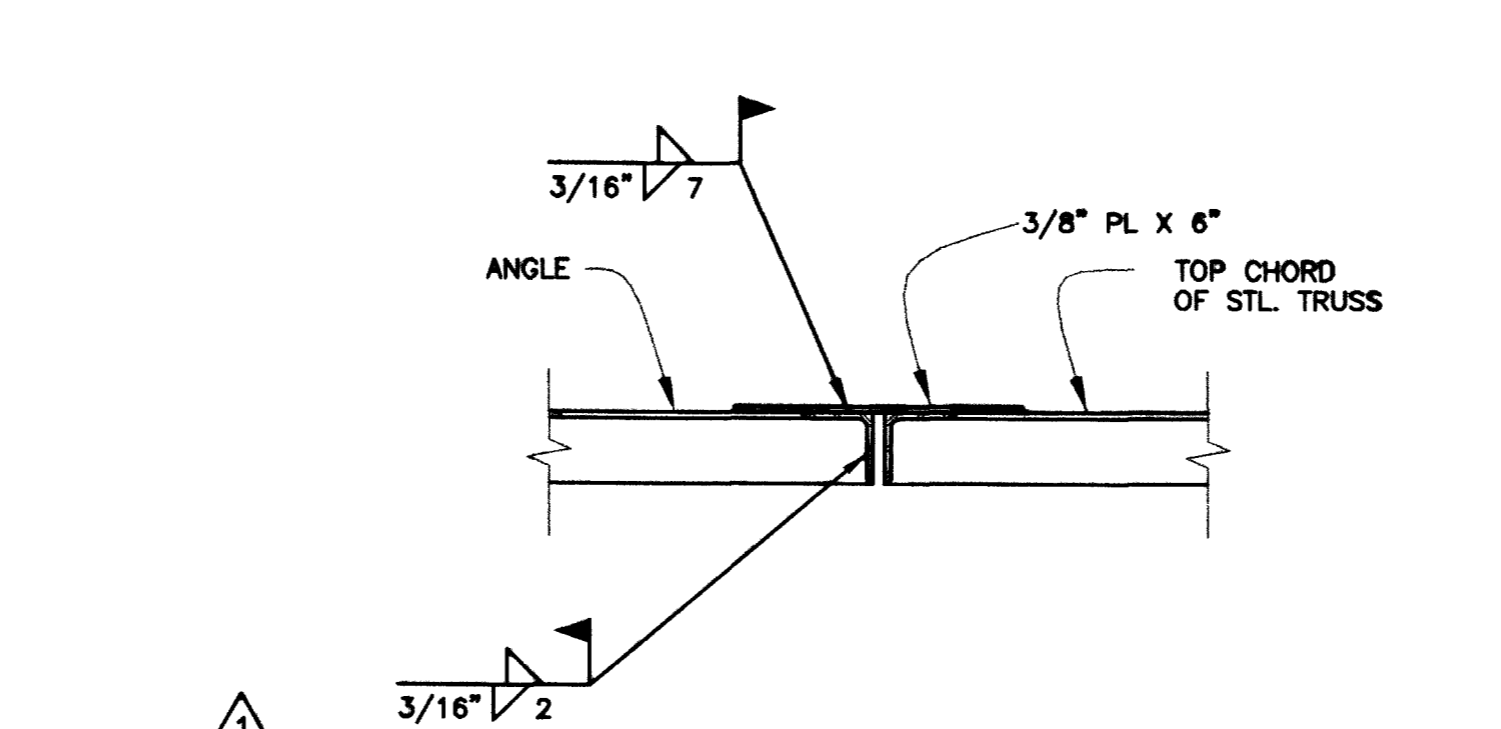
8 SECTION
1" = 1'-0"



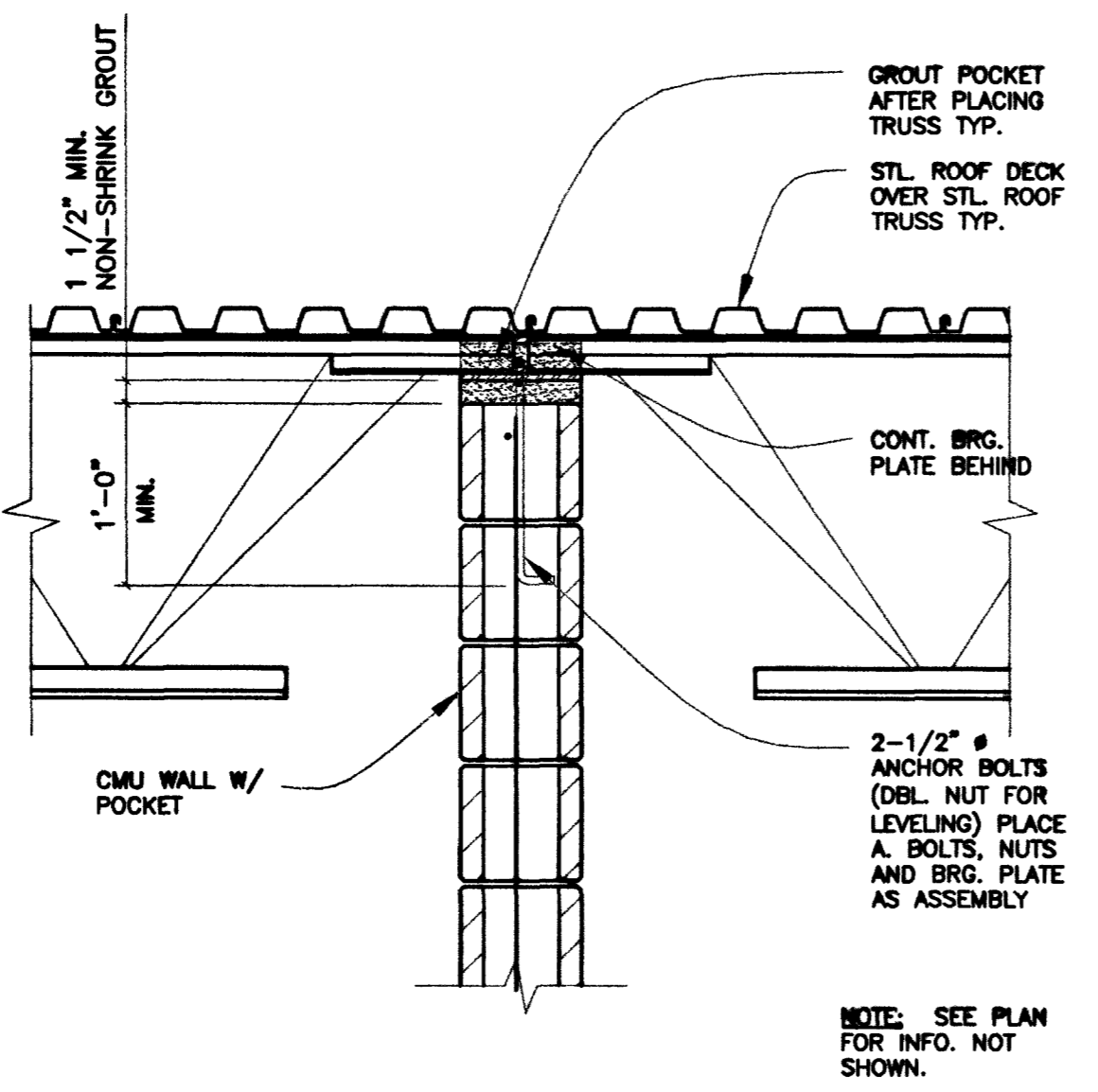
11 SECTION
1" = 1'-0"



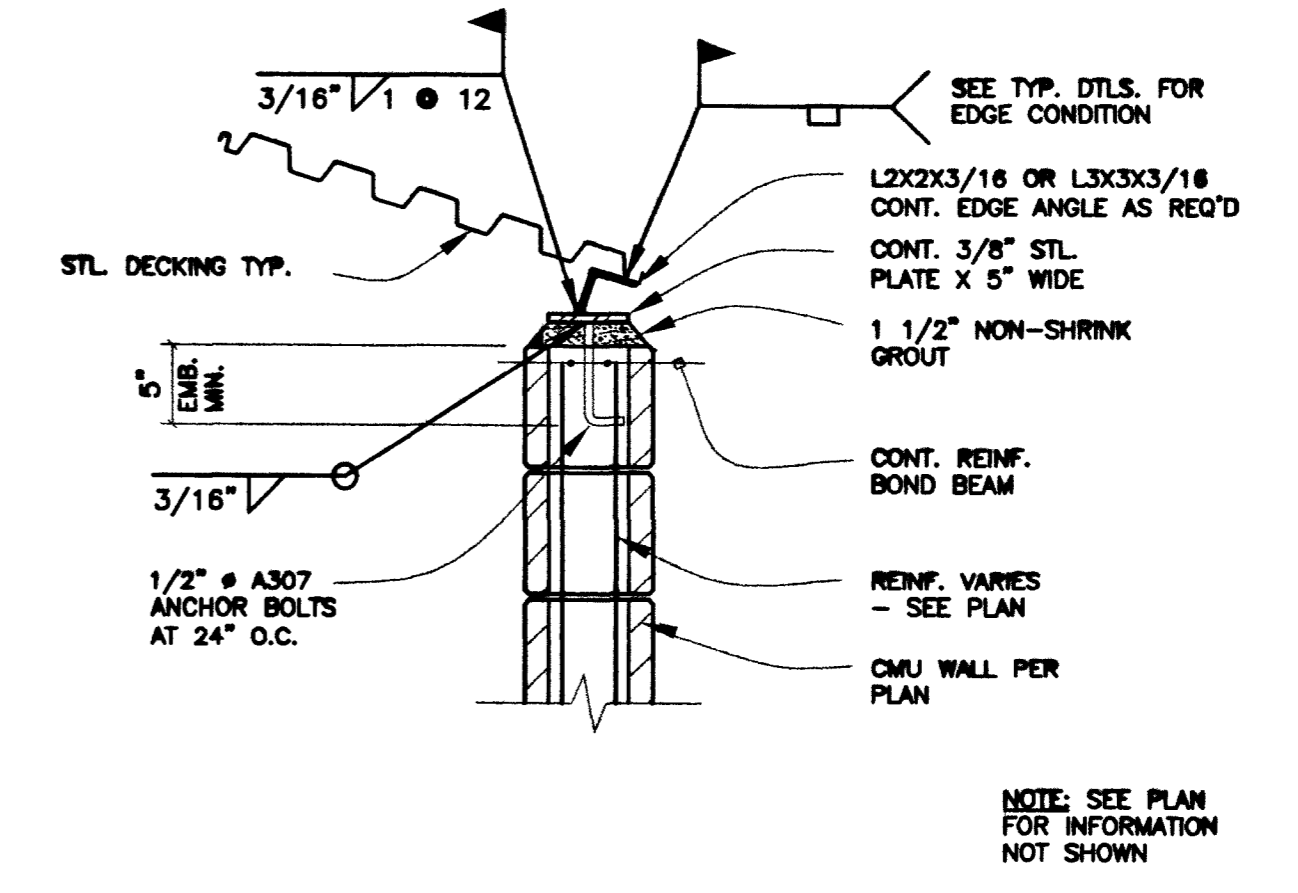
3 SECTION
1" = 1'-0"



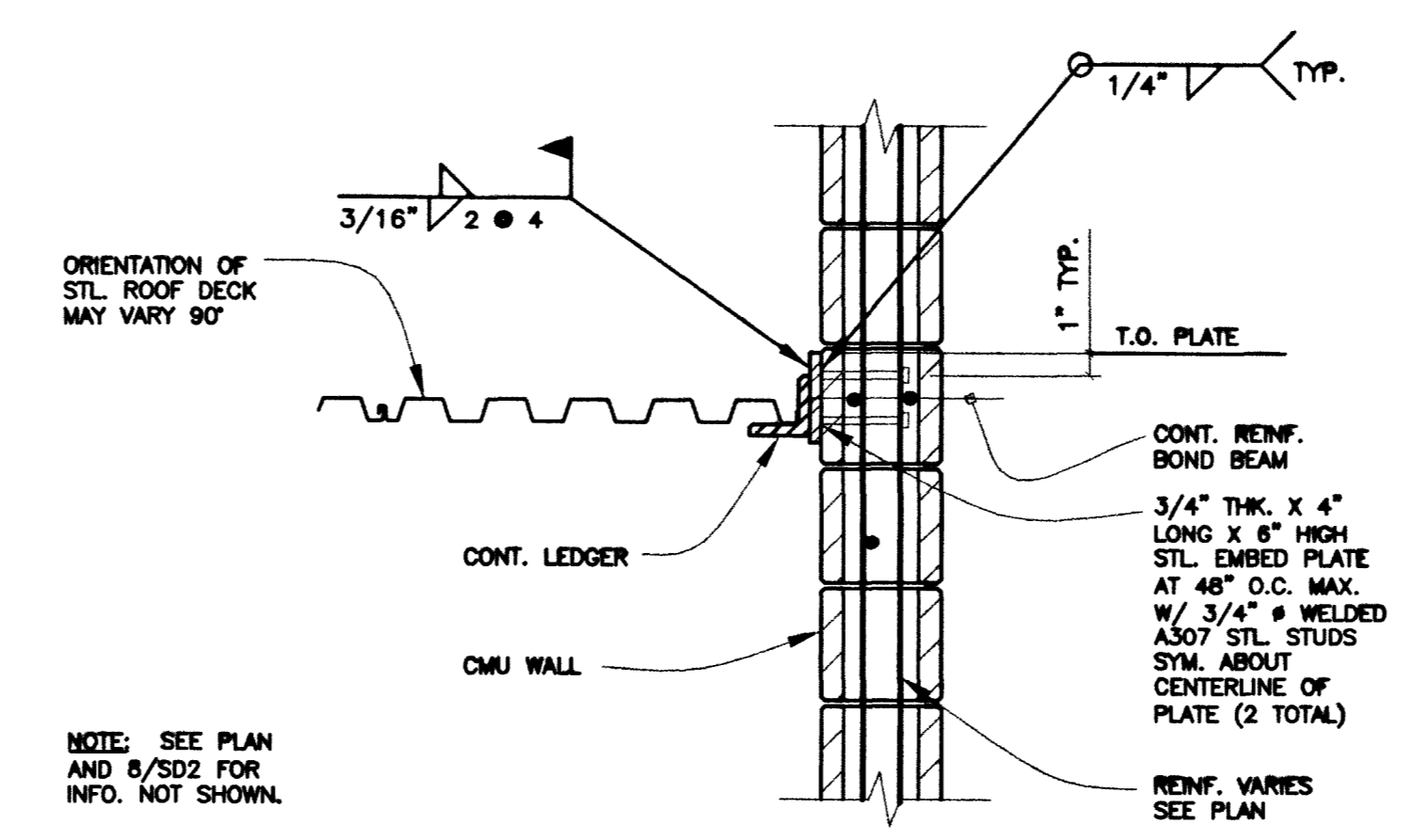
7 SECTION
1 1/2" = 1'-0"



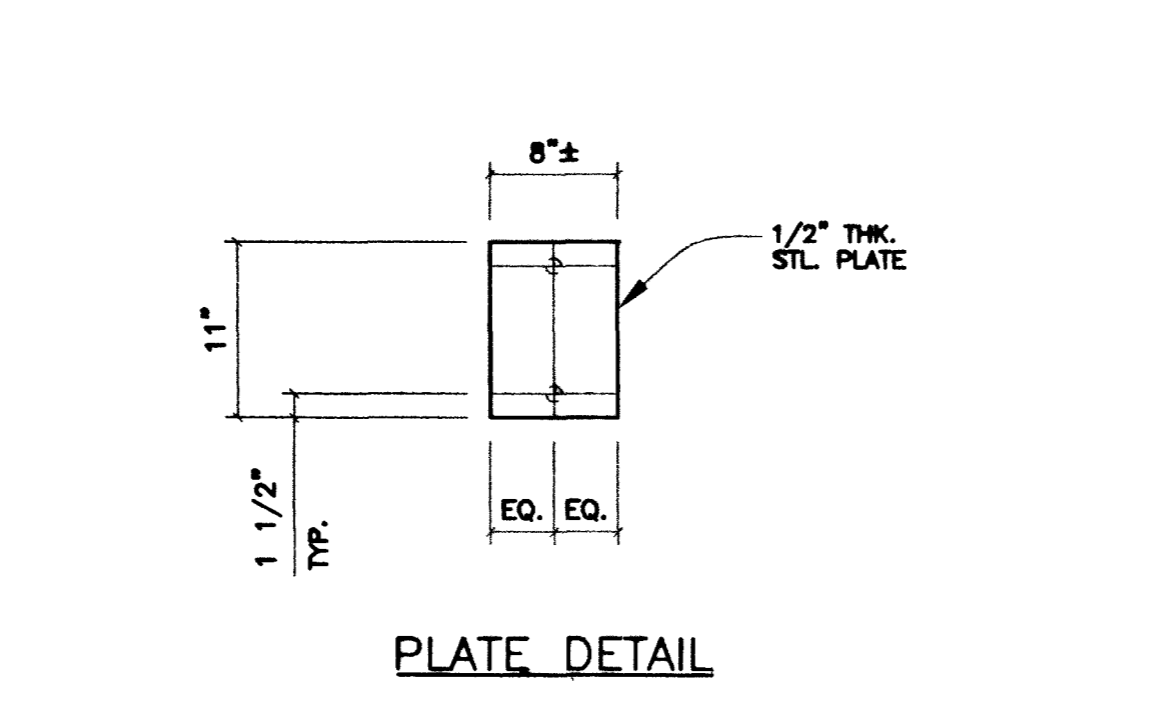
11 SECTION
1" = 1'-0"



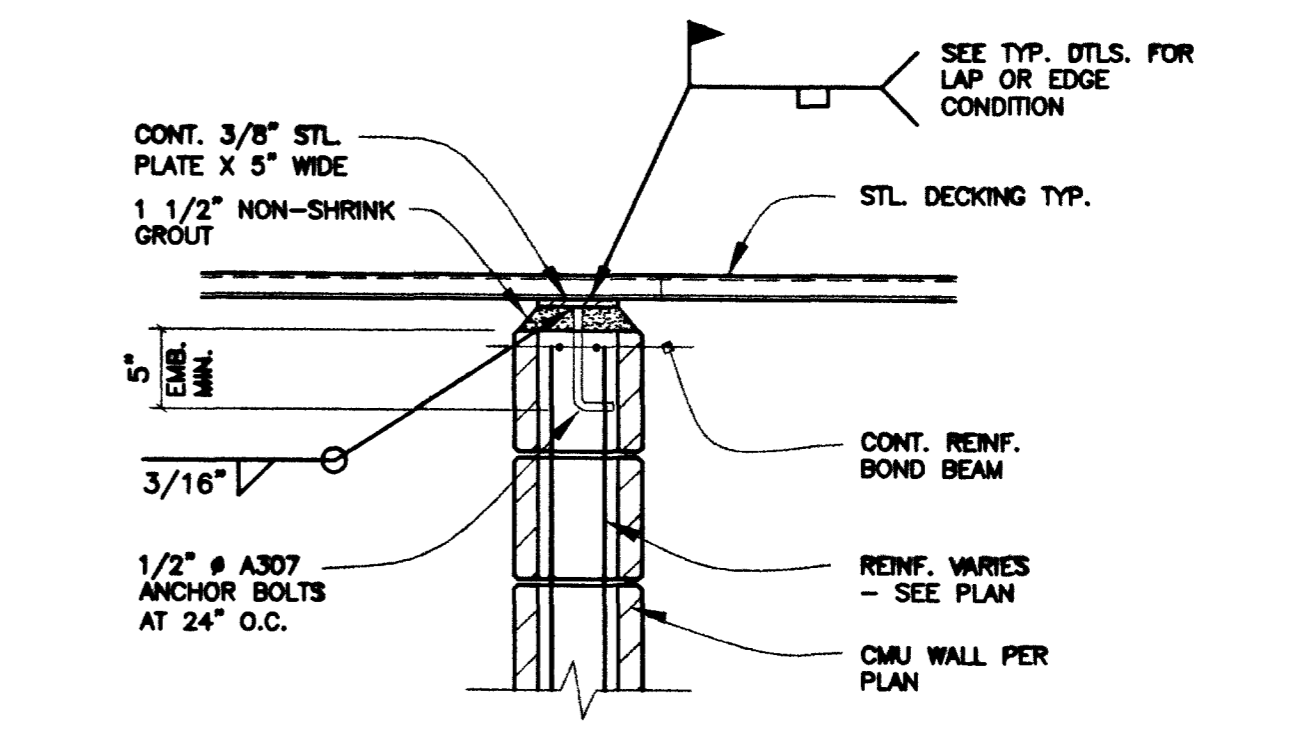
4 SECTION
1" = 1'-0"



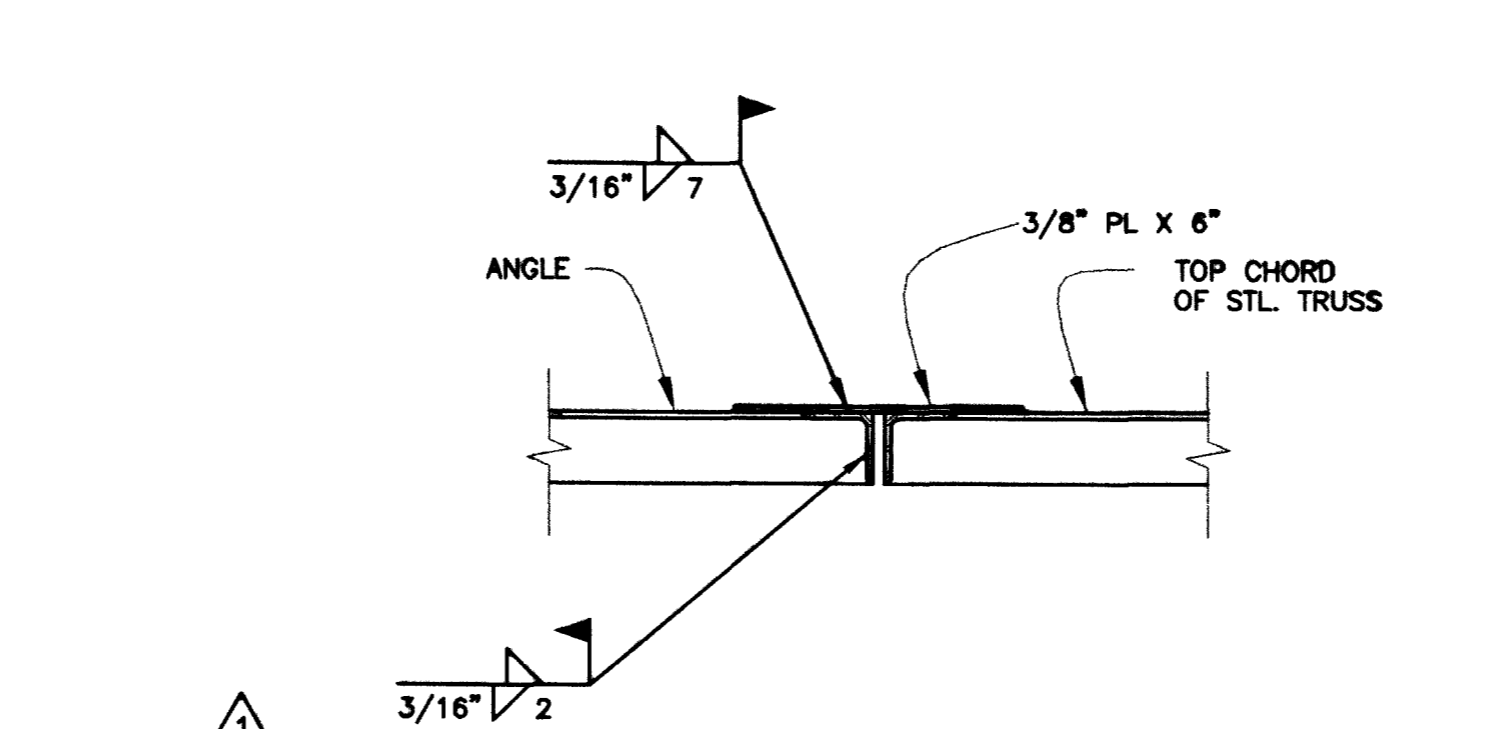
8 SECTION
1" = 1'-0"



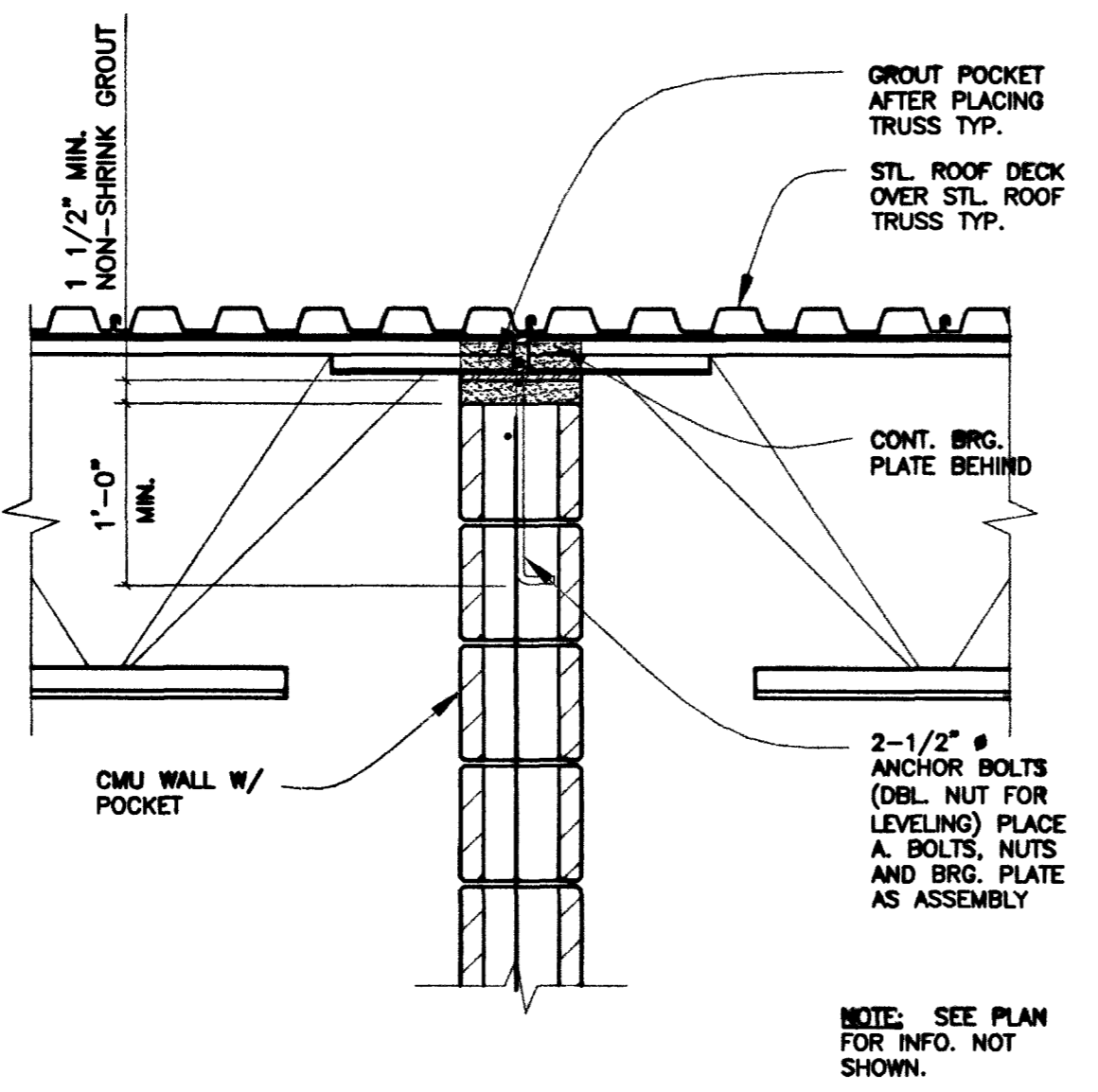
11 SECTION
1" = 1'-0"



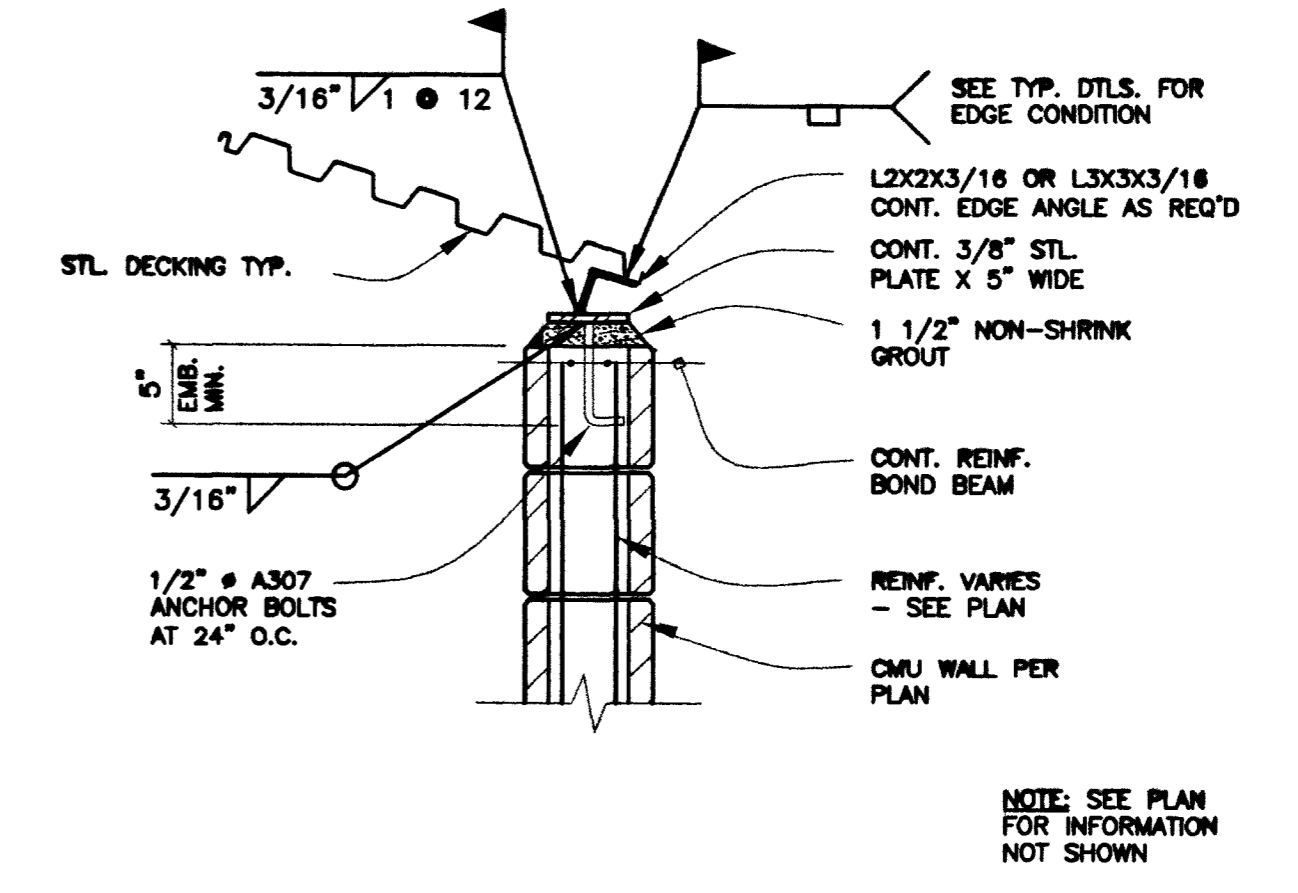
3 SECTION
1" = 1'-0"



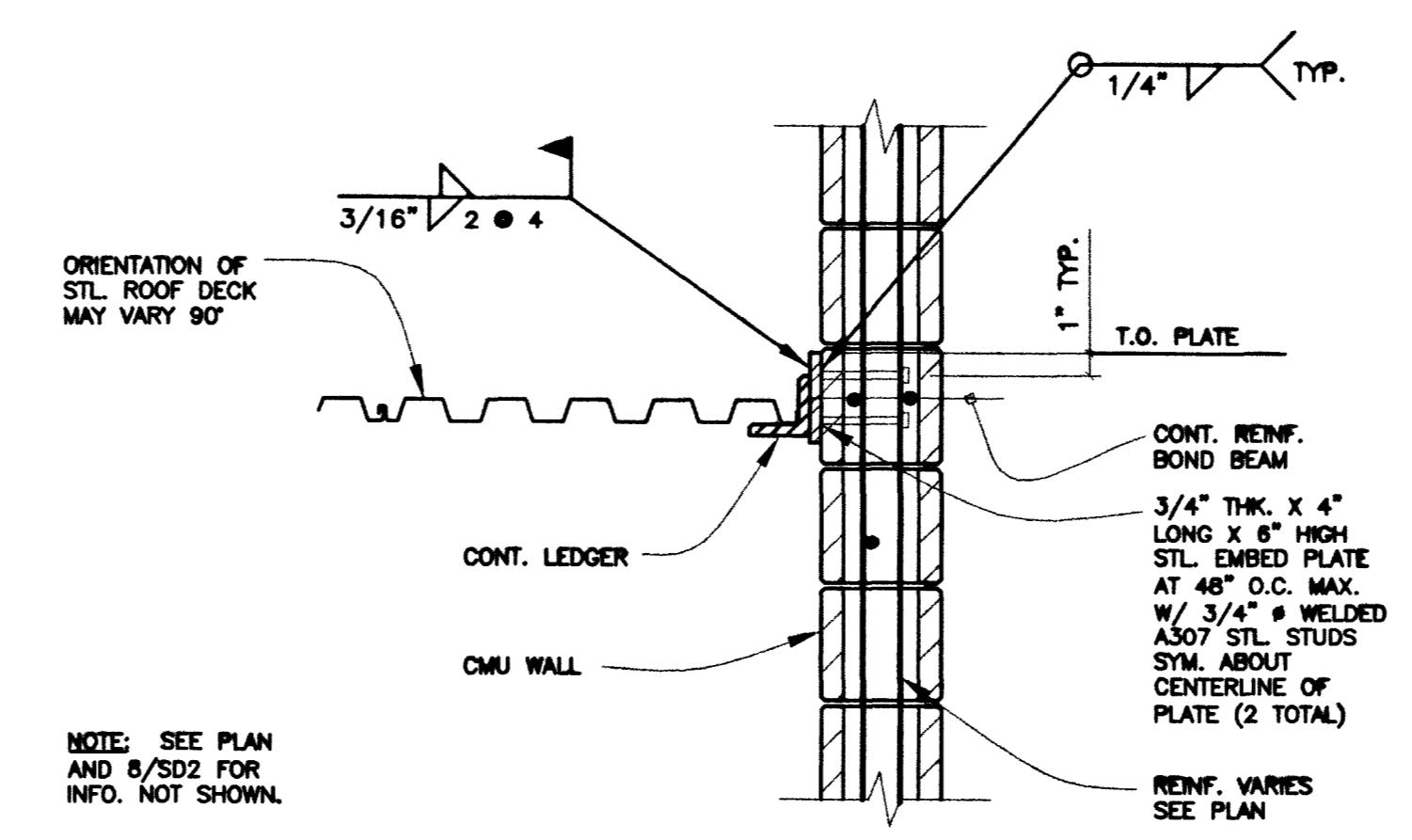
7 SECTION
1 1/2" = 1'-0"



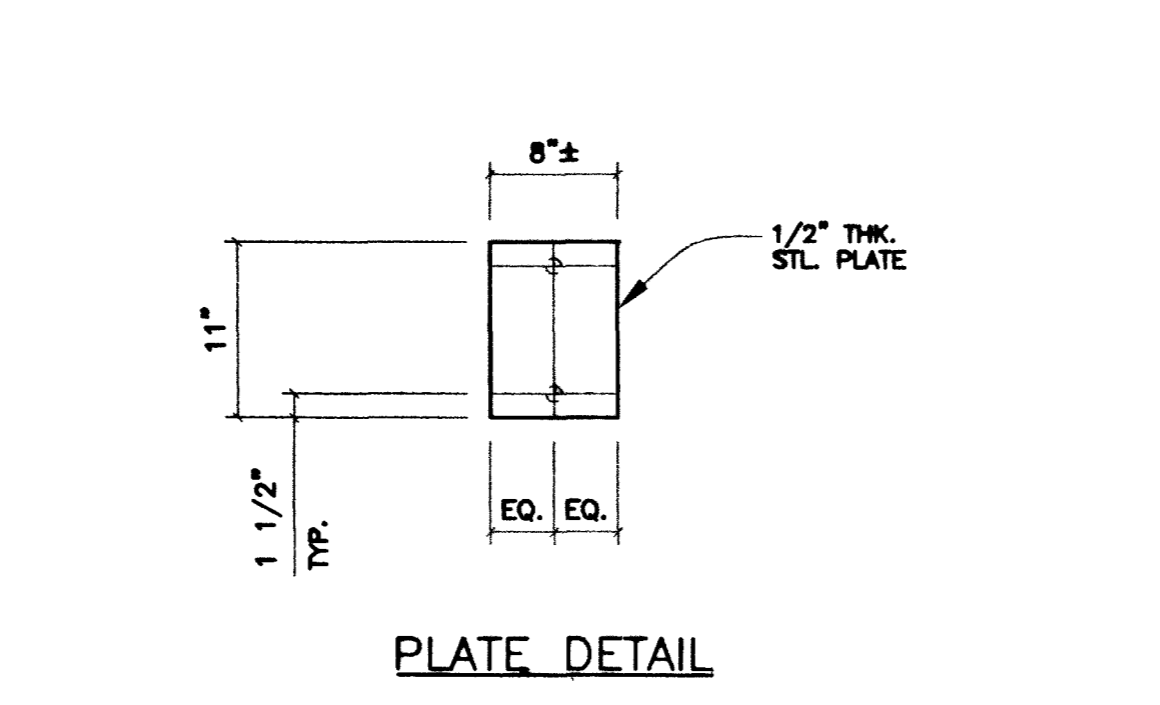
11 SECTION
1" = 1'-0"



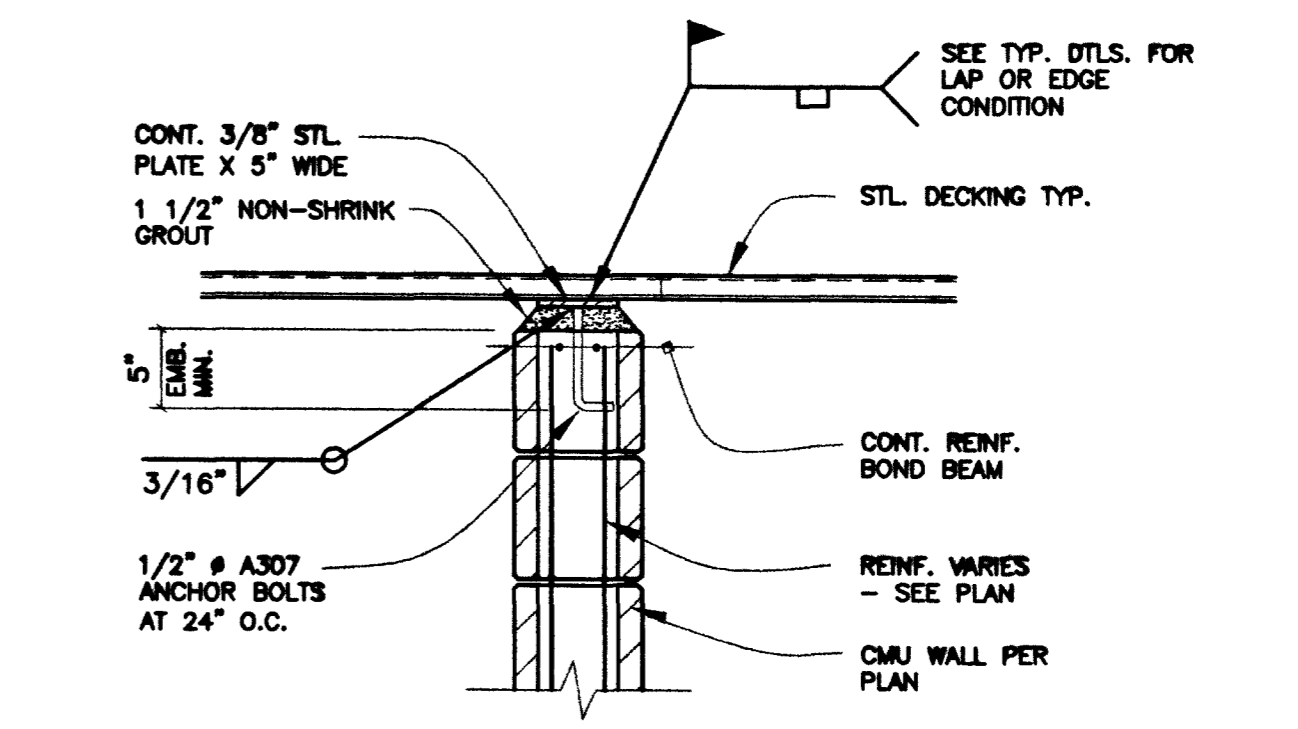
4 SECTION
1" = 1'-0"



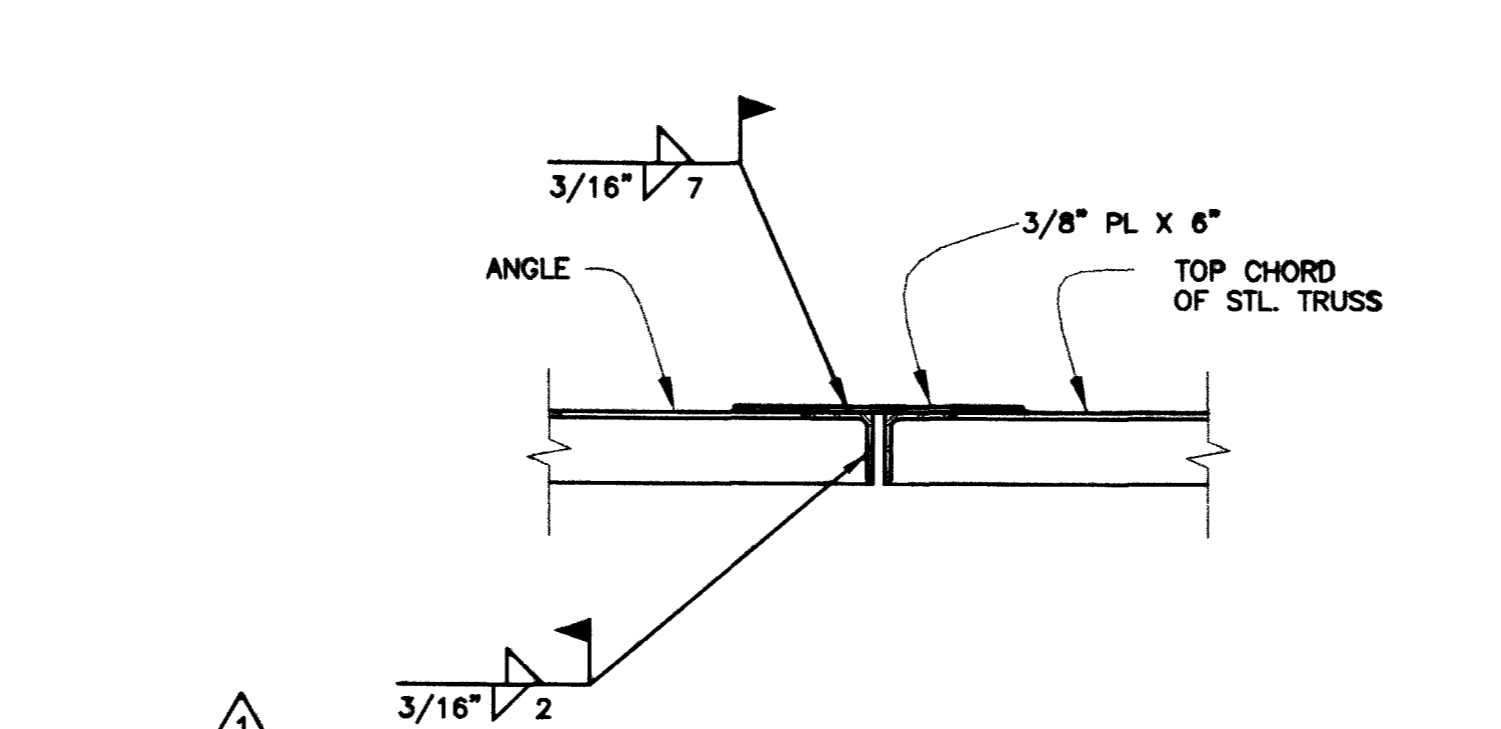
8 SECTION
1" = 1'-0"



11 SECTION
1" = 1'-0"



3 SECTION
1" = 1'-0"



7 SECTION
1 1/2" = 1'-0"