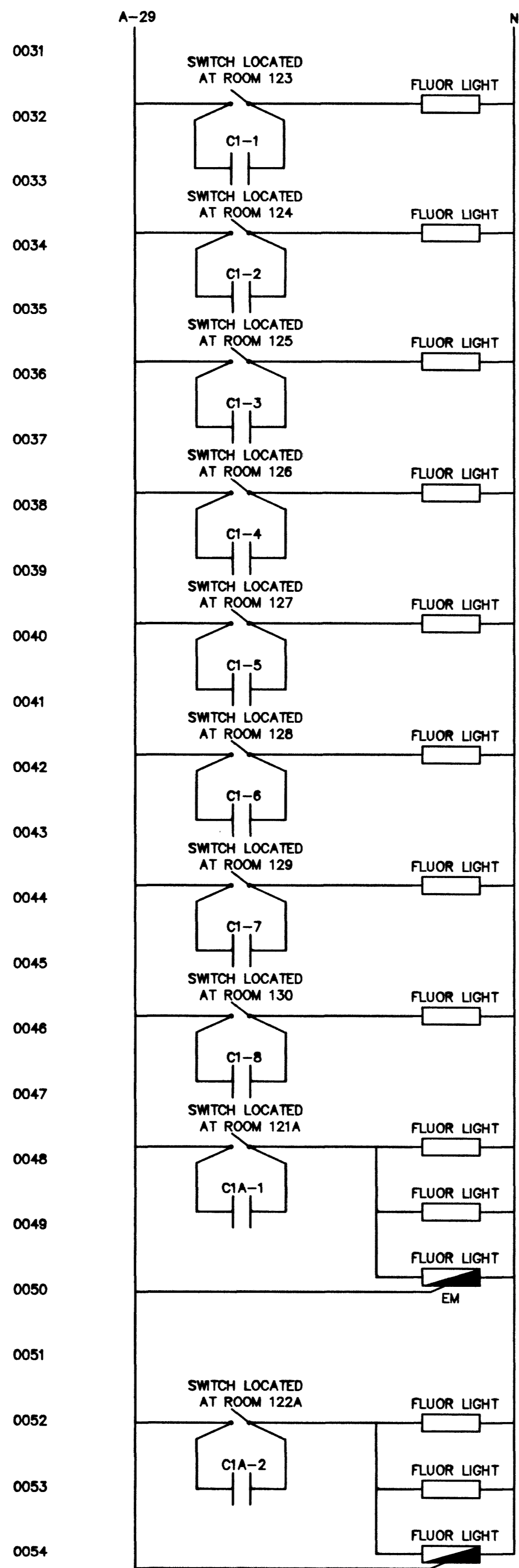


C.A.D. SCHEMATIC

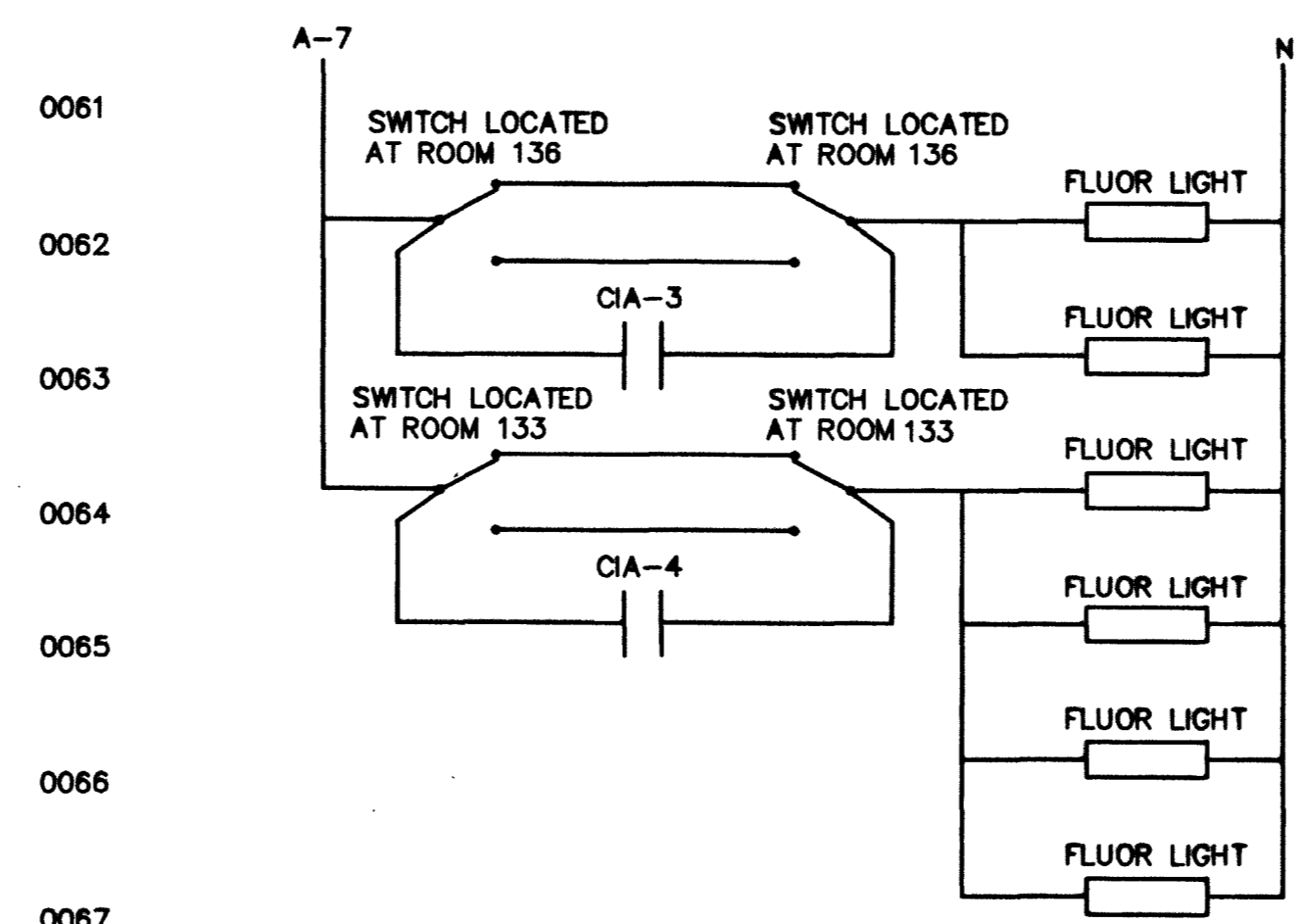
GENERAL NOTES

1. ALL FIELD WIRINGS MUST TERMINATE IN A TERMINAL BLOCK BEFORE GOING TO THE DEVICES INSIDE THE CAD RELAY BOX. (TERMINAL BLOCKS NOT SHOWN)

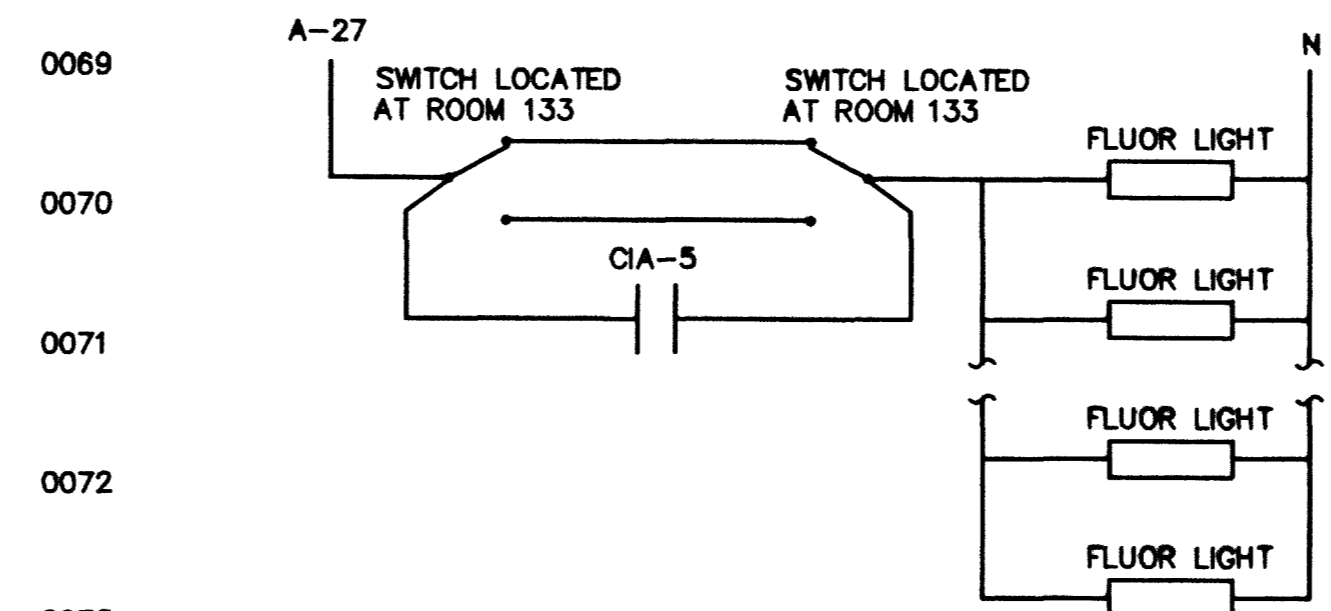
57325



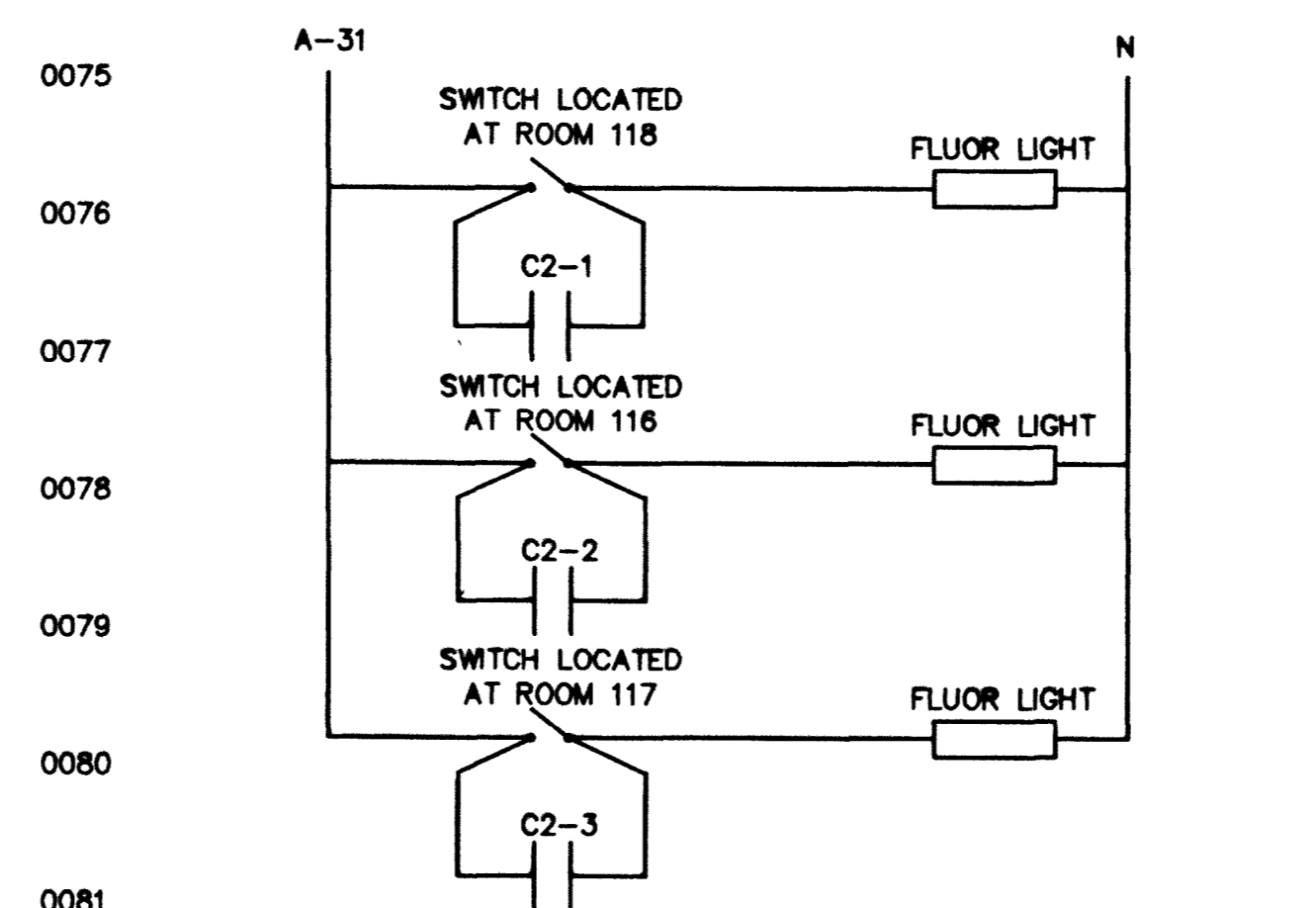
(AREA 1) CKT A-29 LIGHTING CONTROL WIRING DIAGRAM



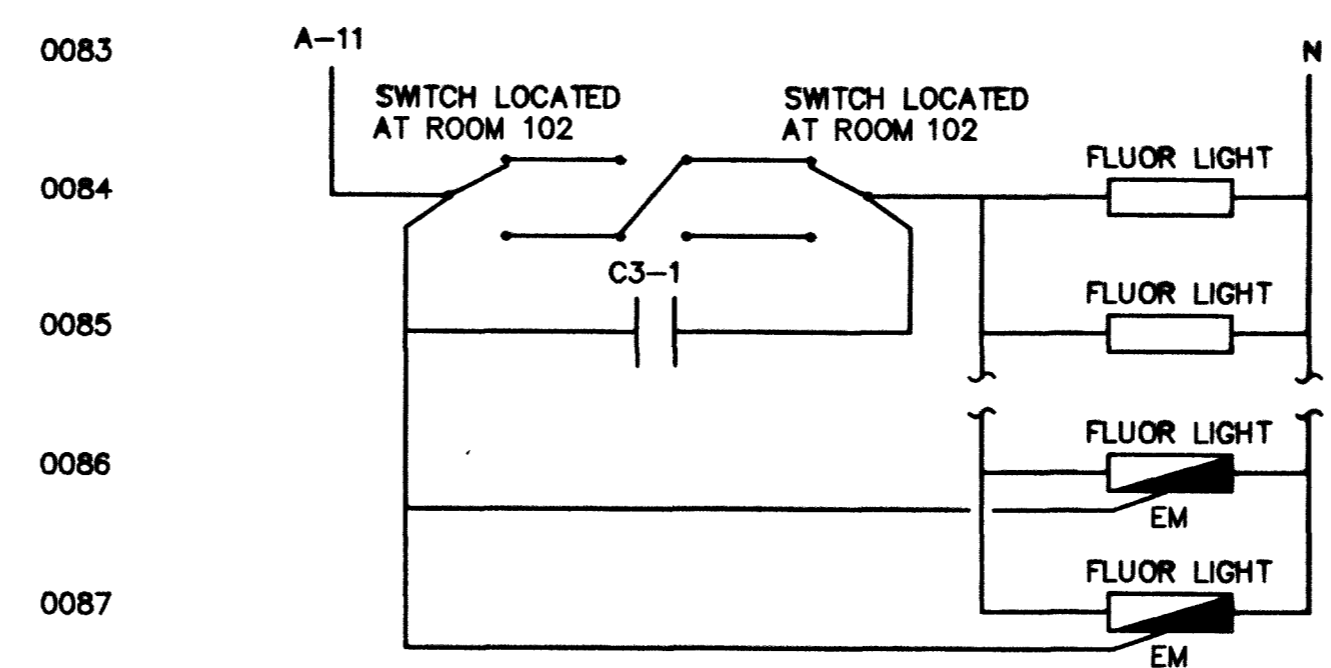
(AREA 1) CKT A-7 LIGHTING CONTROL WIRING DIAGRAM



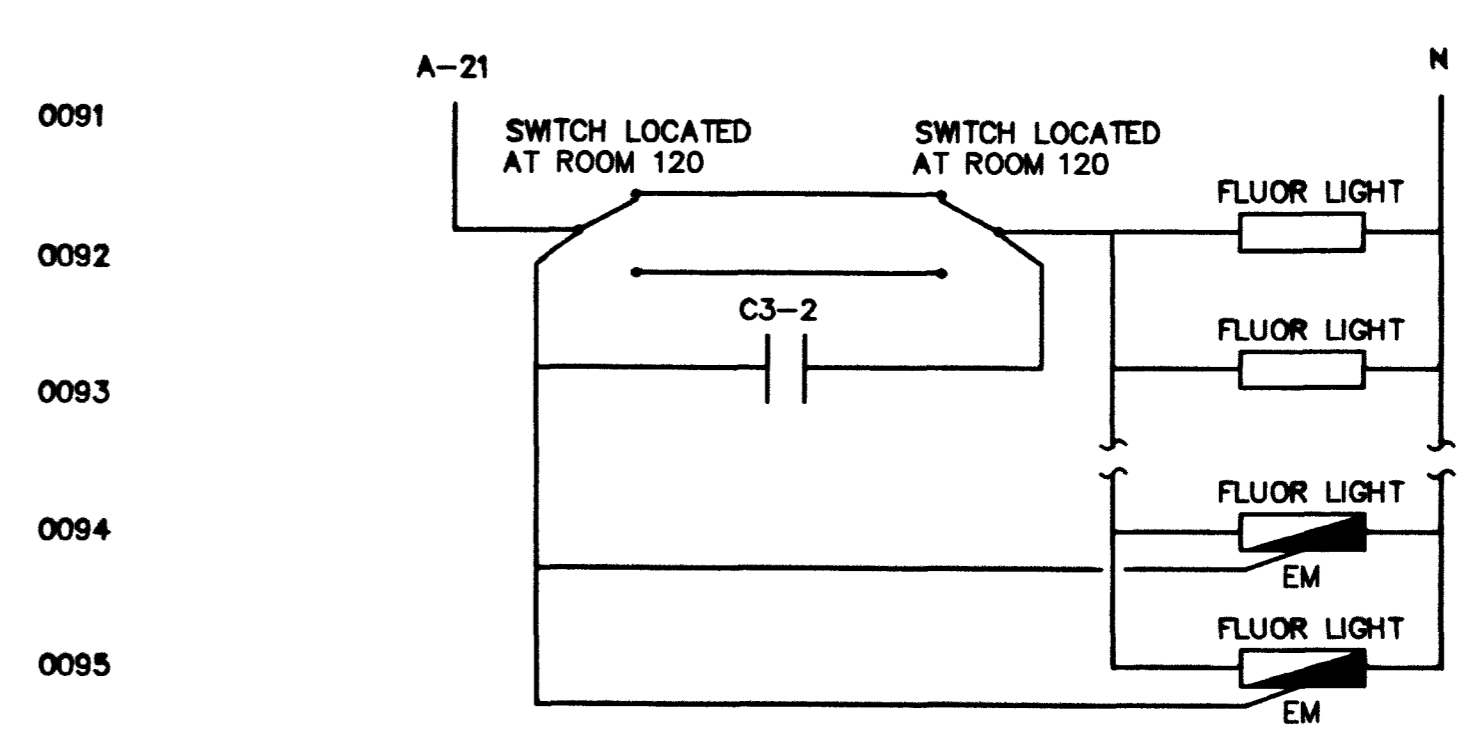
(AREA 1) CKT A-27 LIGHTING CONTROL WIRING DIAGRAM



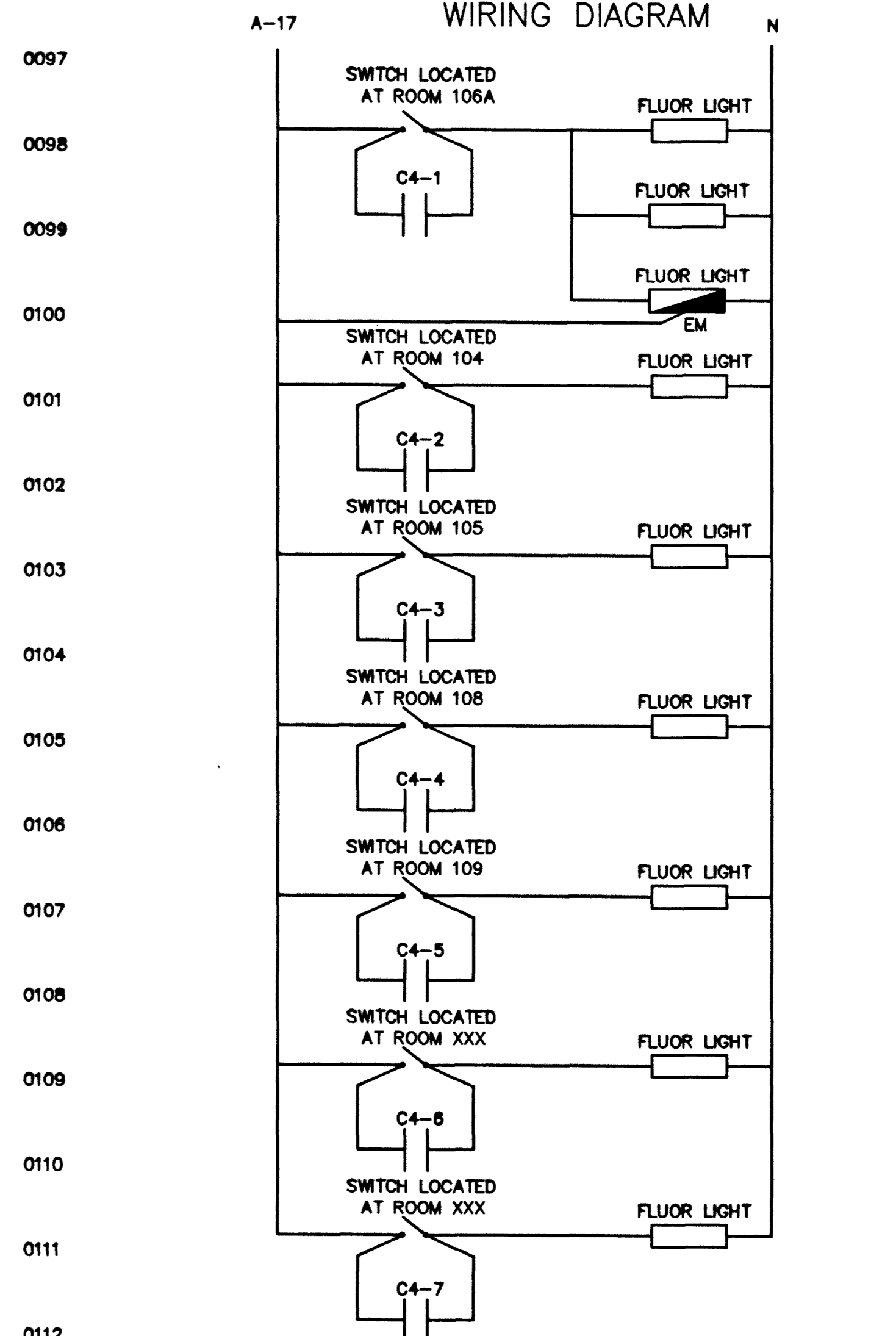
(AREA 2) CKT A-31 LIGHTING CONTROL WIRING DIAGRAM



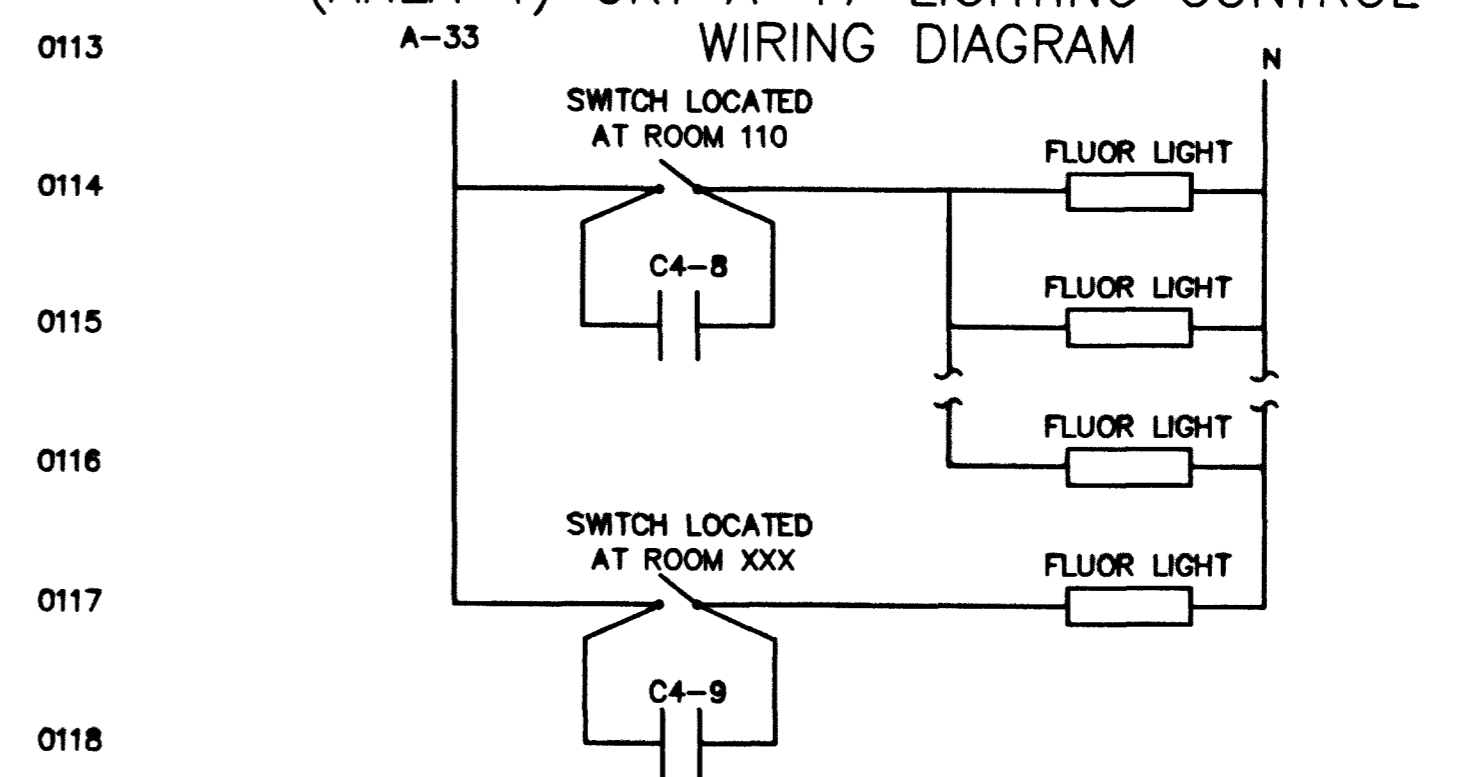
(AREA 3) CKT A-11 LIGHTING CONTROL WIRING DIAGRAM



(AREA 3) CKT A-21 LIGHTING CONTROL WIRING DIAGRAM



(AREA 4) CKT A-17 LIGHTING CONTROL WIRING DIAGRAM



(AREA 4) CKT A-33 LIGHTING CONTROL WIRING DIAGRAM



2/2 CED REVS

DEUC INC.  
2800 SO. RANCHO RD.  
LAS VEGAS, NEVADA 89108  
(702) 871-6164

CITY OF LAS VEGAS, NEVADA  
FIRE STATION #44  
CAD DRAWING

DEPARTMENT OF PUBLIC WORKS  
ARCHITECTURAL SERVICES  
400 EAST STEWART AVENUE  
LAS VEGAS, NEVADA 89101  
PHONE: (702) 229-8333  
FAX: (702) 388-5232  
TDD: (702) 388-5108

DESIGN ENGINEERING CONSULTANT

DRAWN	AOA
FILE	
DATE	3/7/01
SCALE	AS SHOWN
PROJECT	63097
SHEET NO.	103 OF 106

E6.4