



9-6-01 BLDG DEPT RESUBMITTAL

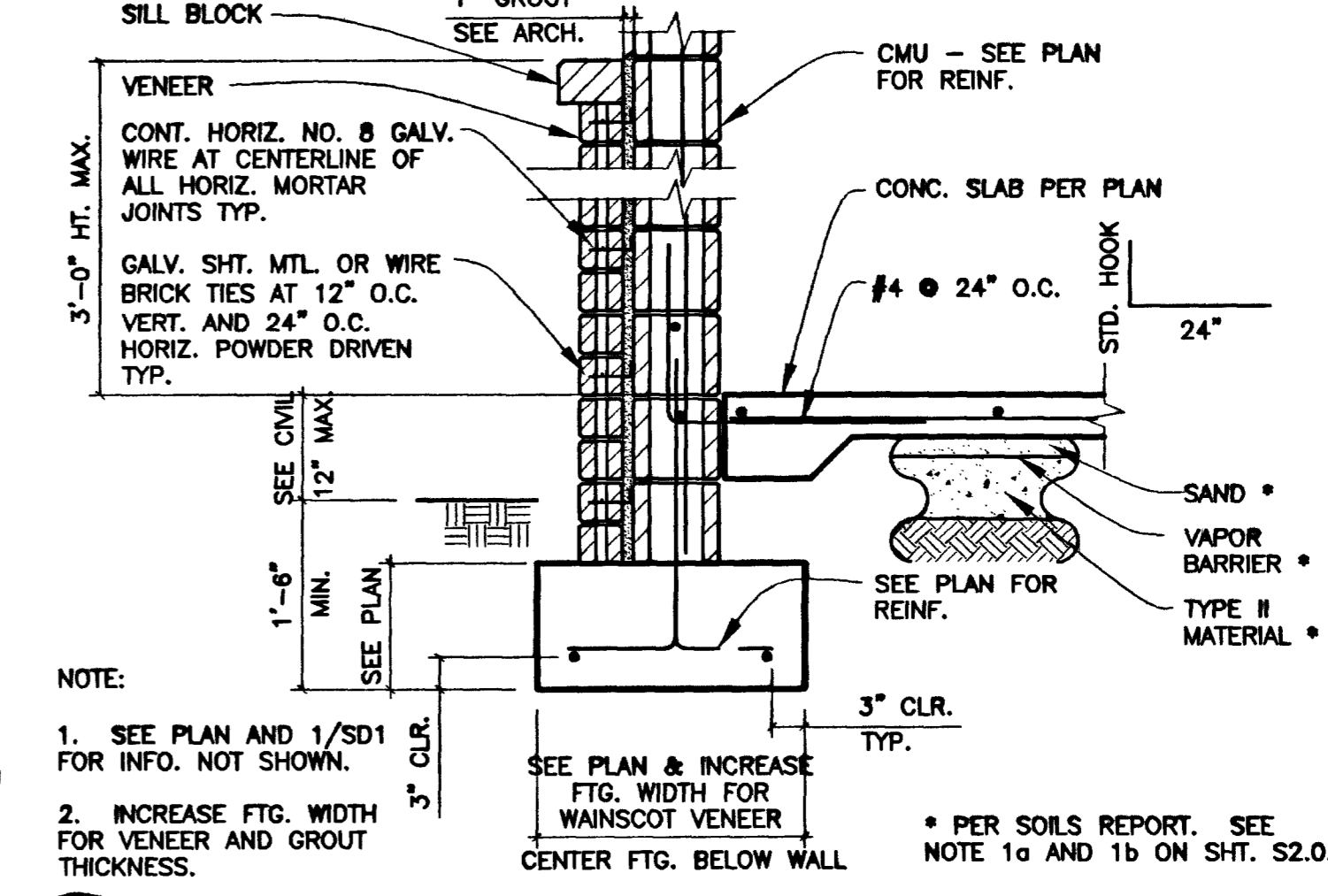
DEC INC
 2900 So. RANCHO RD.
 LAS VEGAS, NEVADA 89108
 (702)871-6154

CITY OF LAS VEGAS, NEVADA
 FIRE STATION #44
 FOUNDATION DETAILS

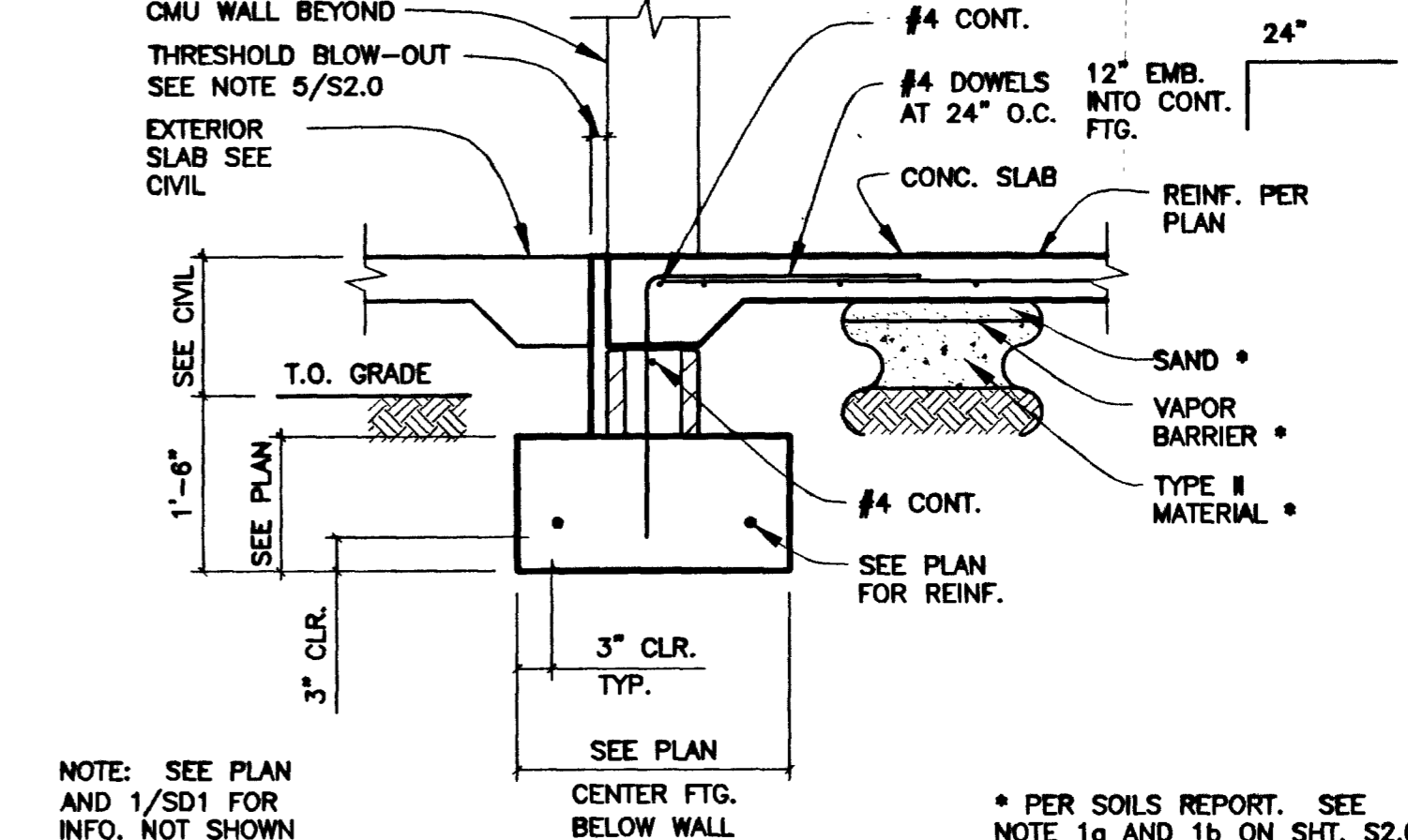
SEP 1, 2001

DEPARTMENT OF PUBLIC WORKS
 ARCHITECTURAL SERVICES
 400 EAST STEWART AVENUE
 LAS VEGAS, NEVADA 89101
 PHONE: (702) 229-8539
 FAX: (702) 382-8332
 TDD: (702) 386-9108

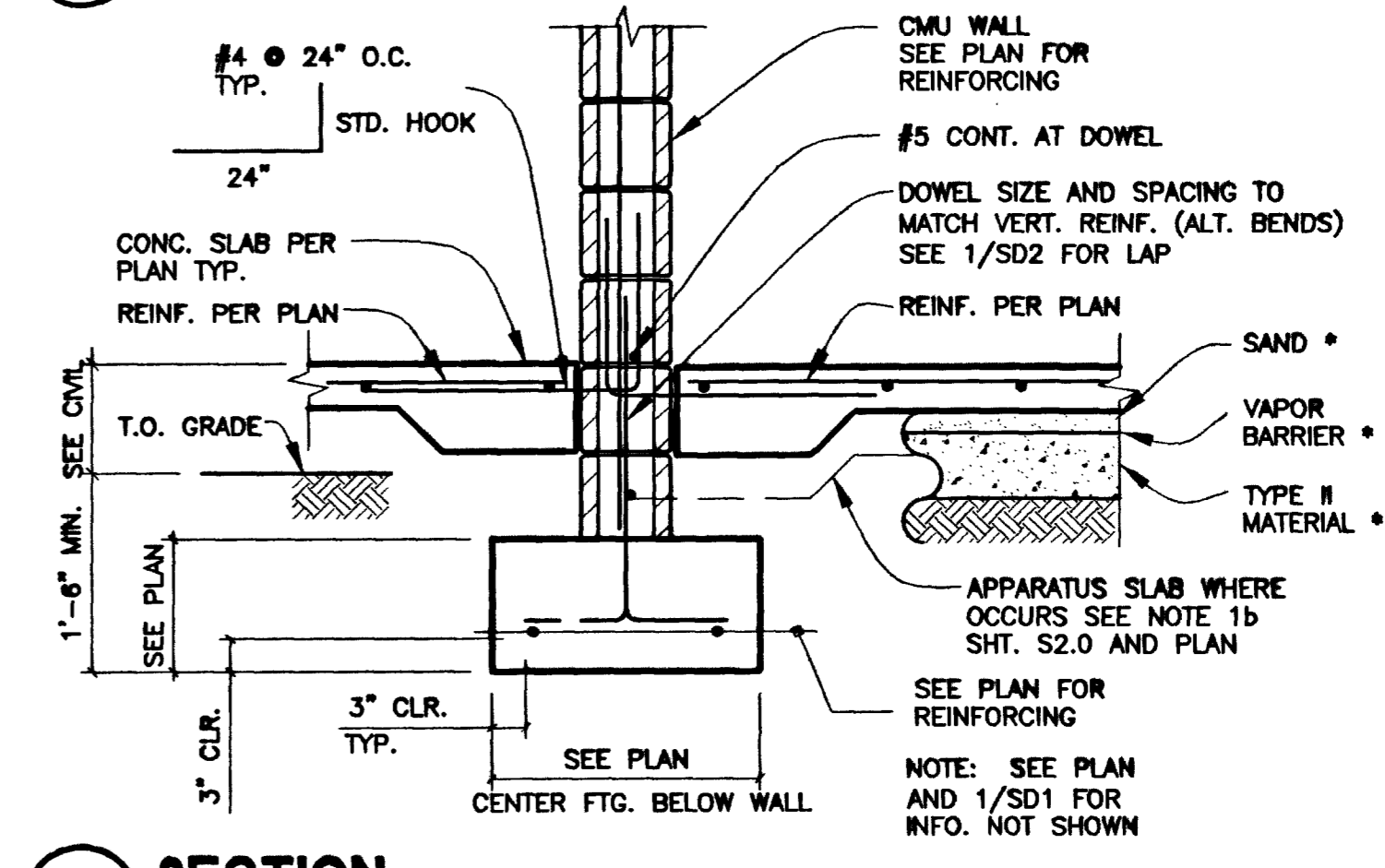
DATE	JOB
7/15/01	6/10/01
SCALE	AS NOTED
PROJECT	631.97
SHEET NO.	67 OF 106
	SD1



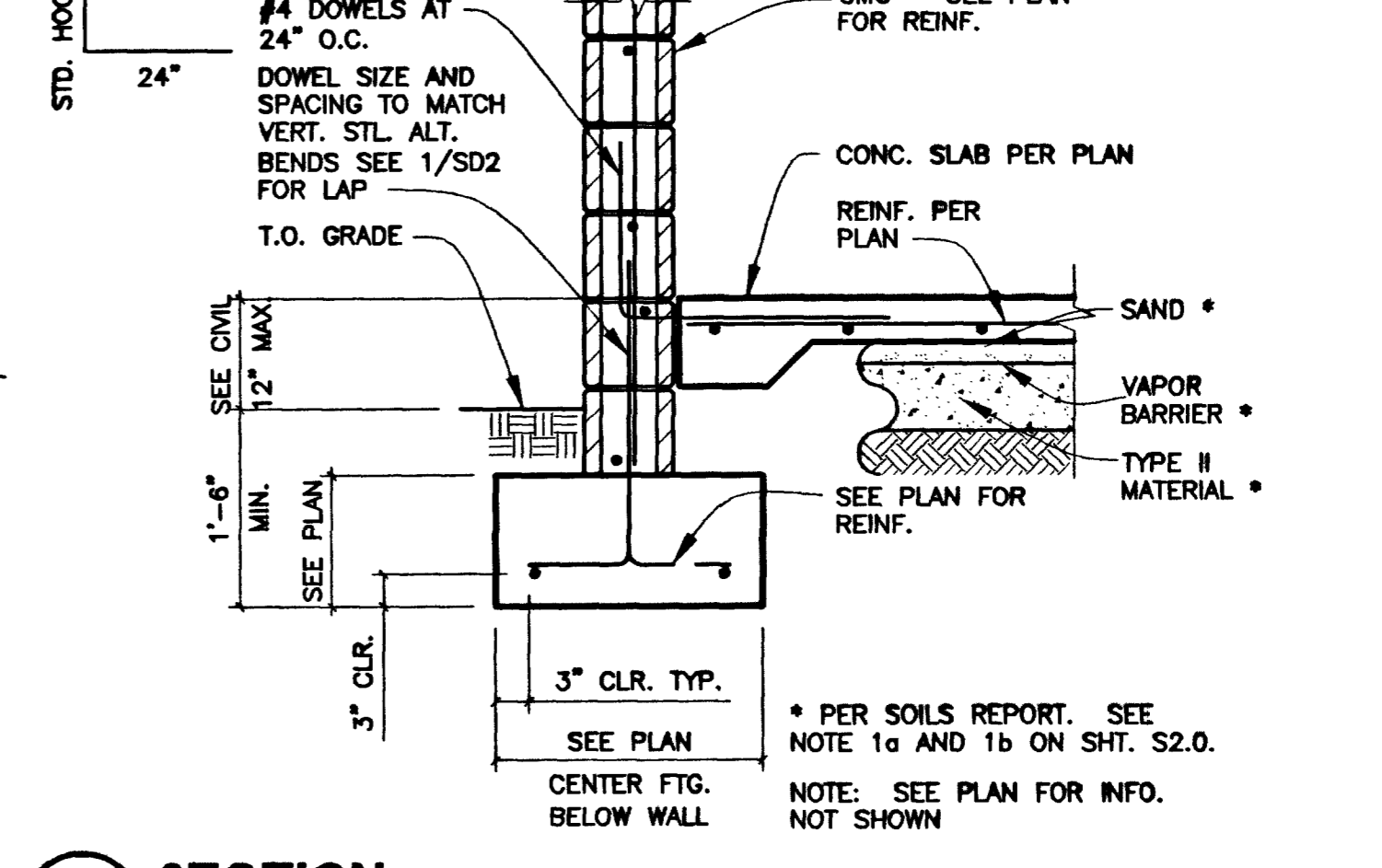
4 SECTION
 3/4" = 1'-0"



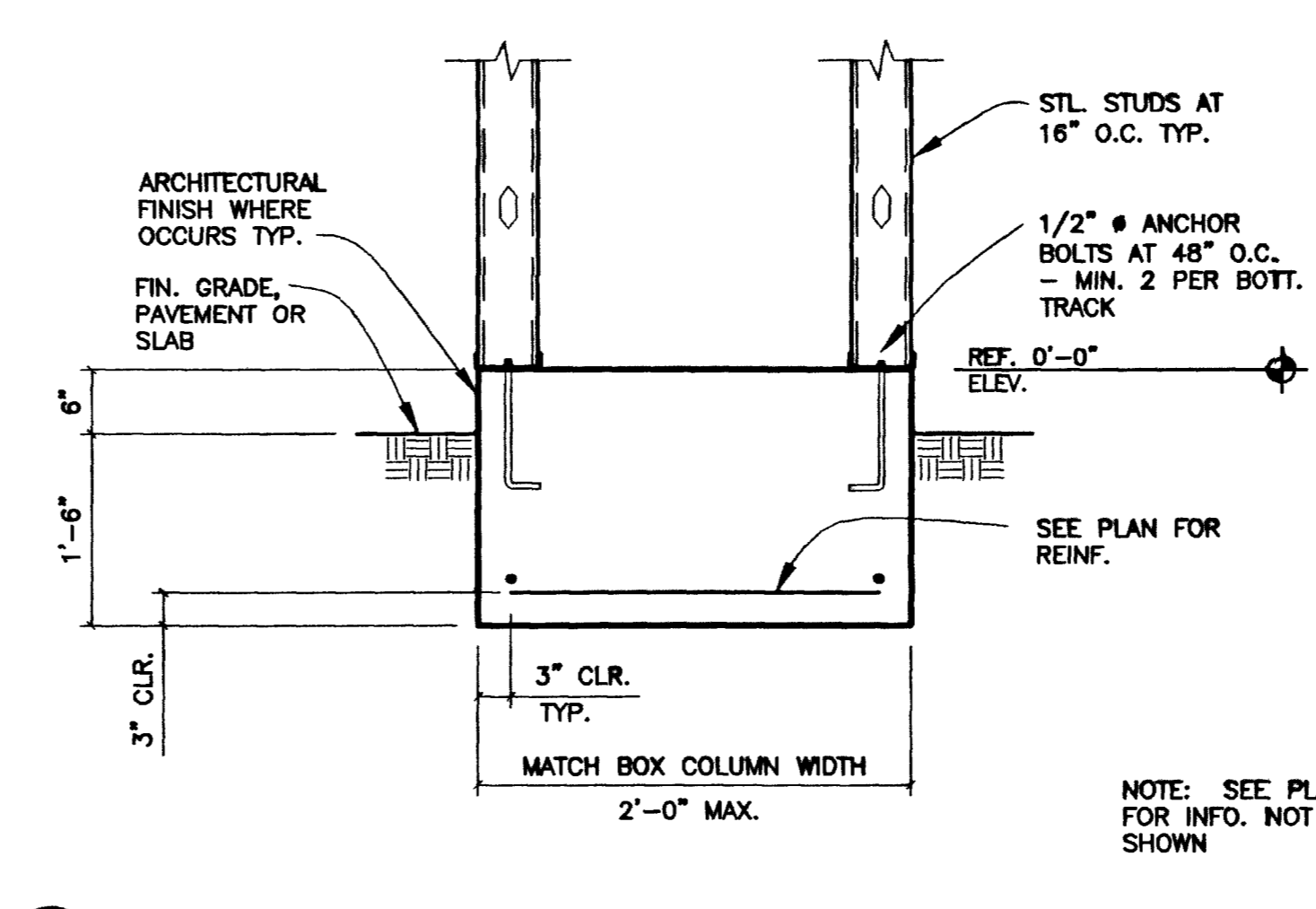
3 SECTION AT DOOR
 3/4" = 1'-0"



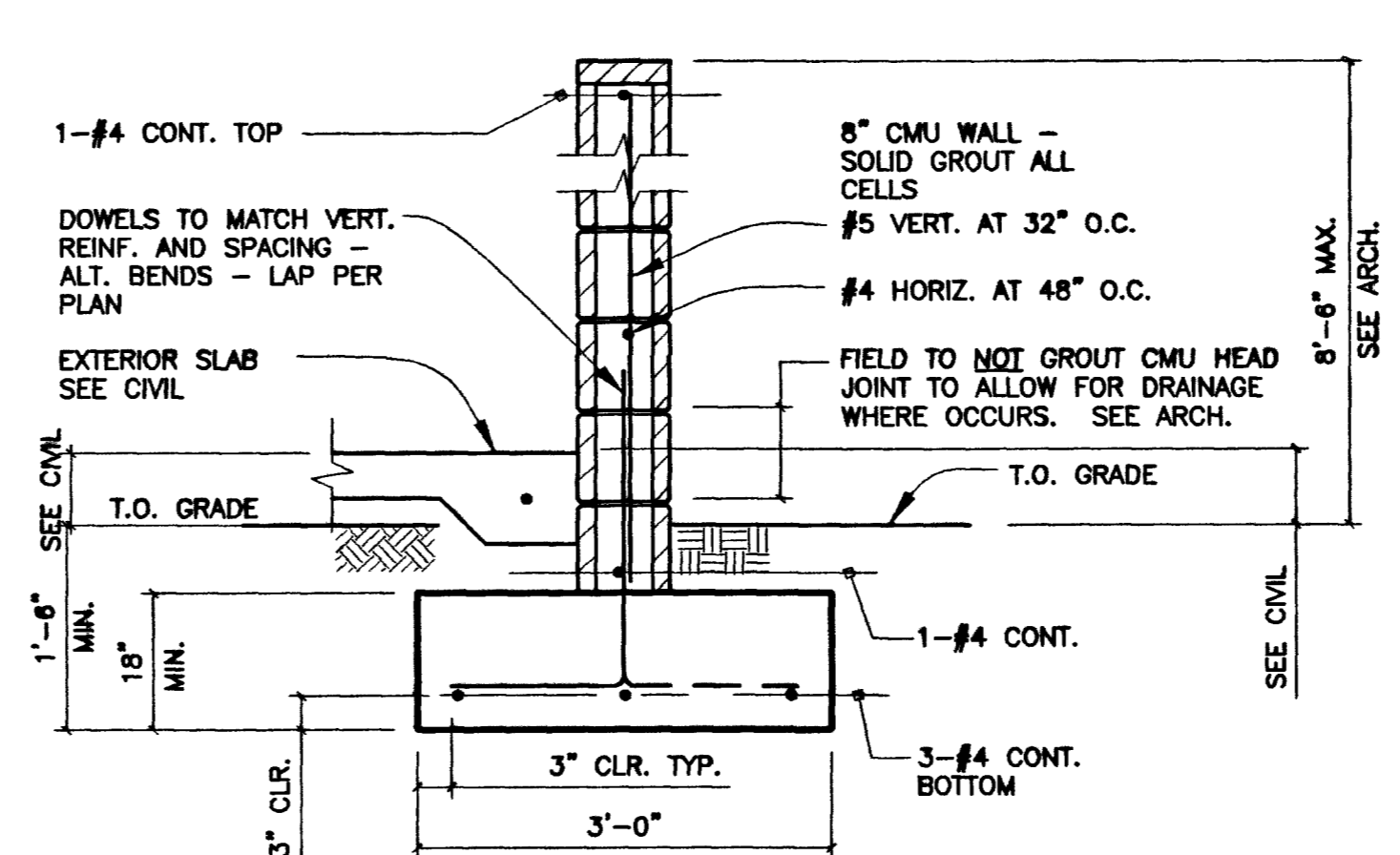
2 SECTION
 3/4" = 1'-0"



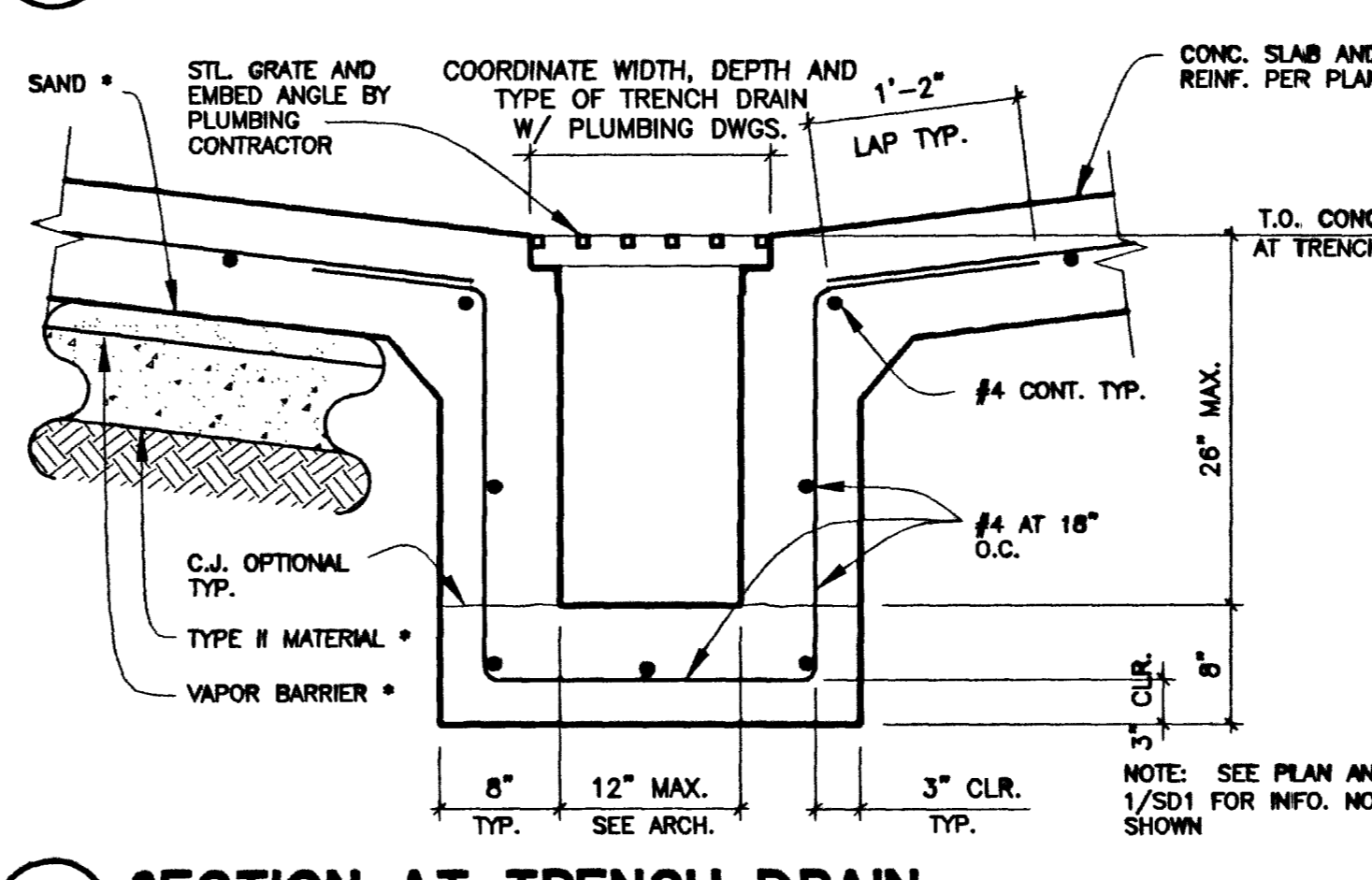
1 SECTION
 3/4" = 1'-0"



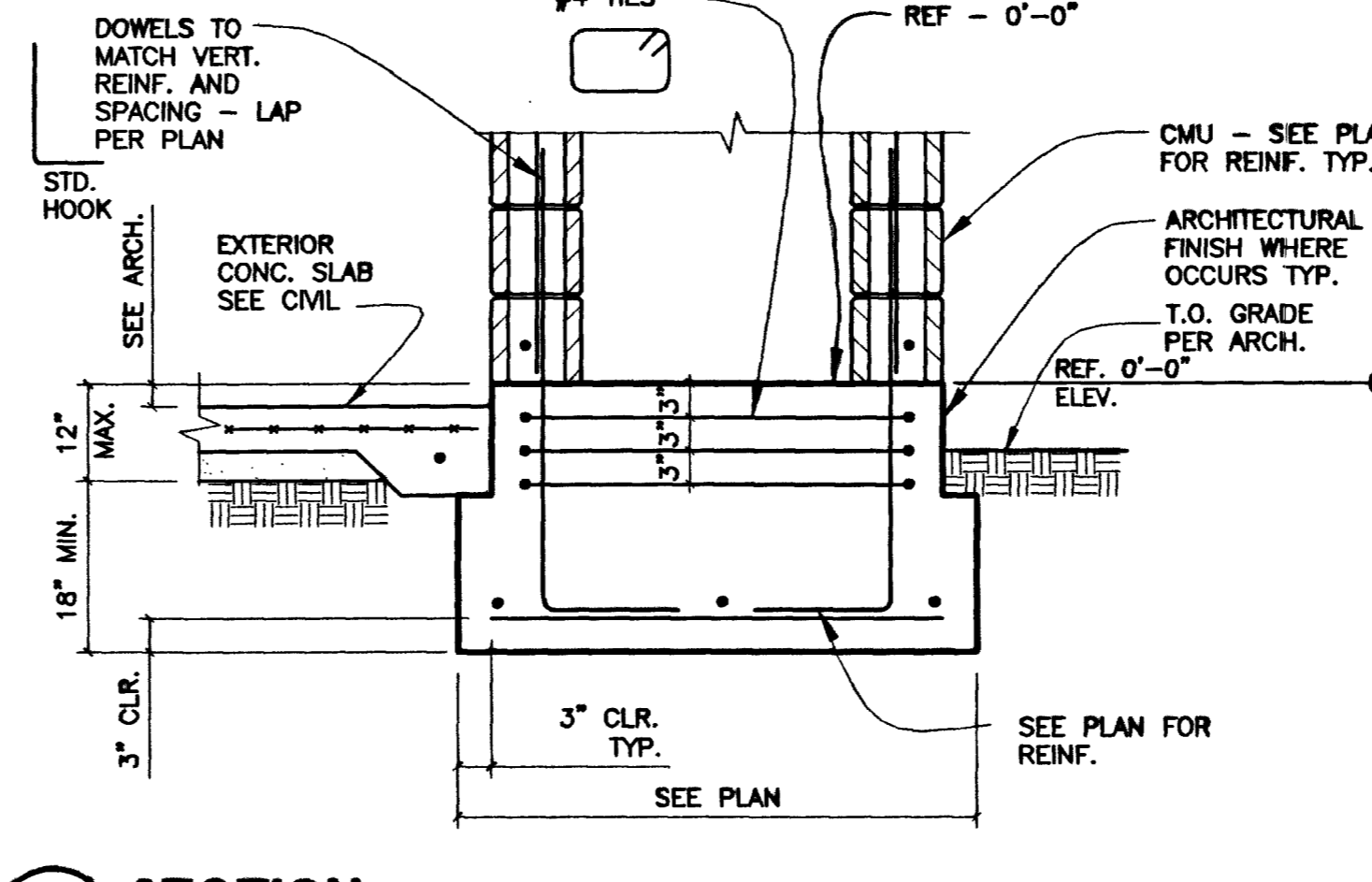
8 SECTION
 3/4" = 1'-0"



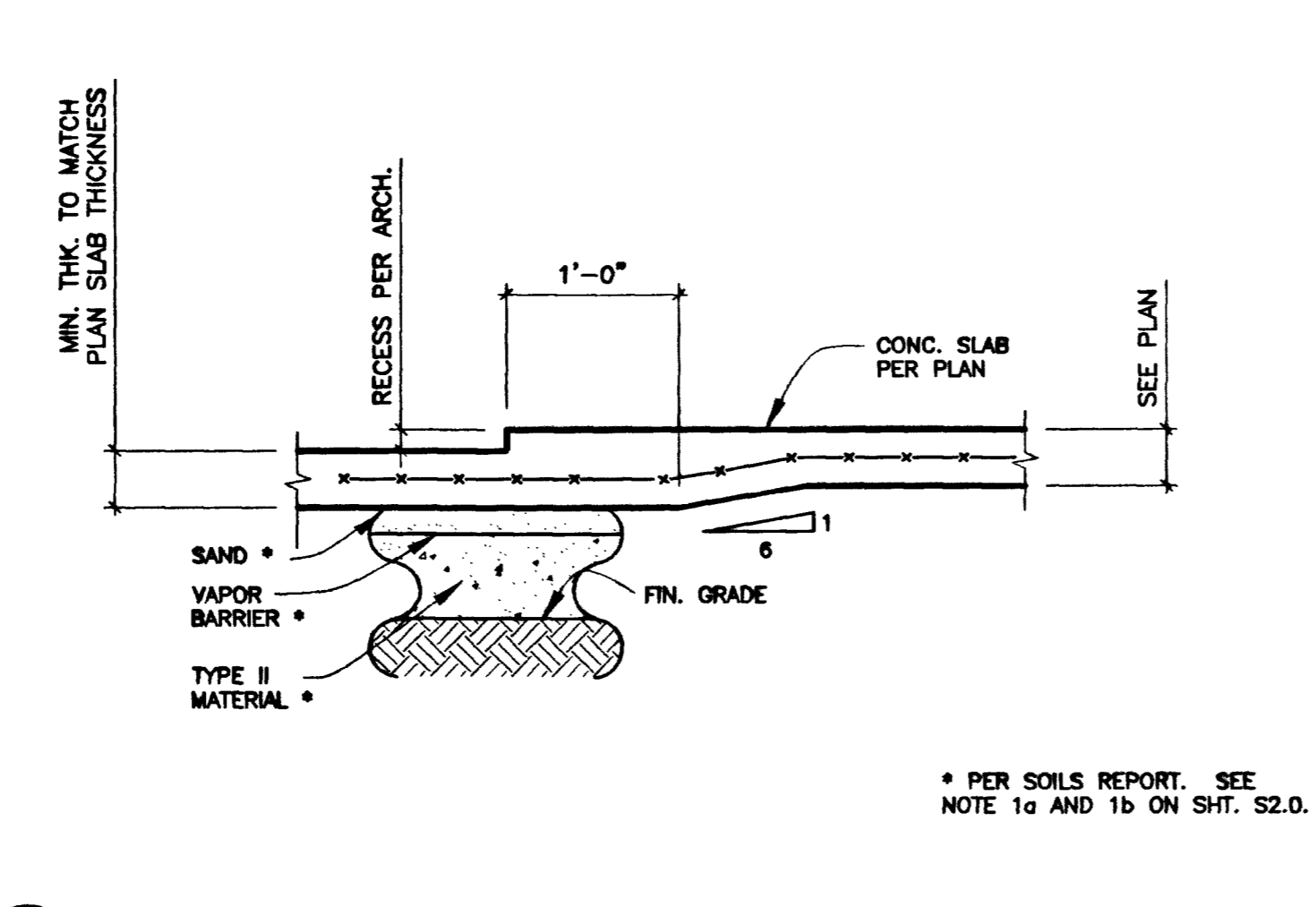
7 SECTION
 3/4" = 1'-0"



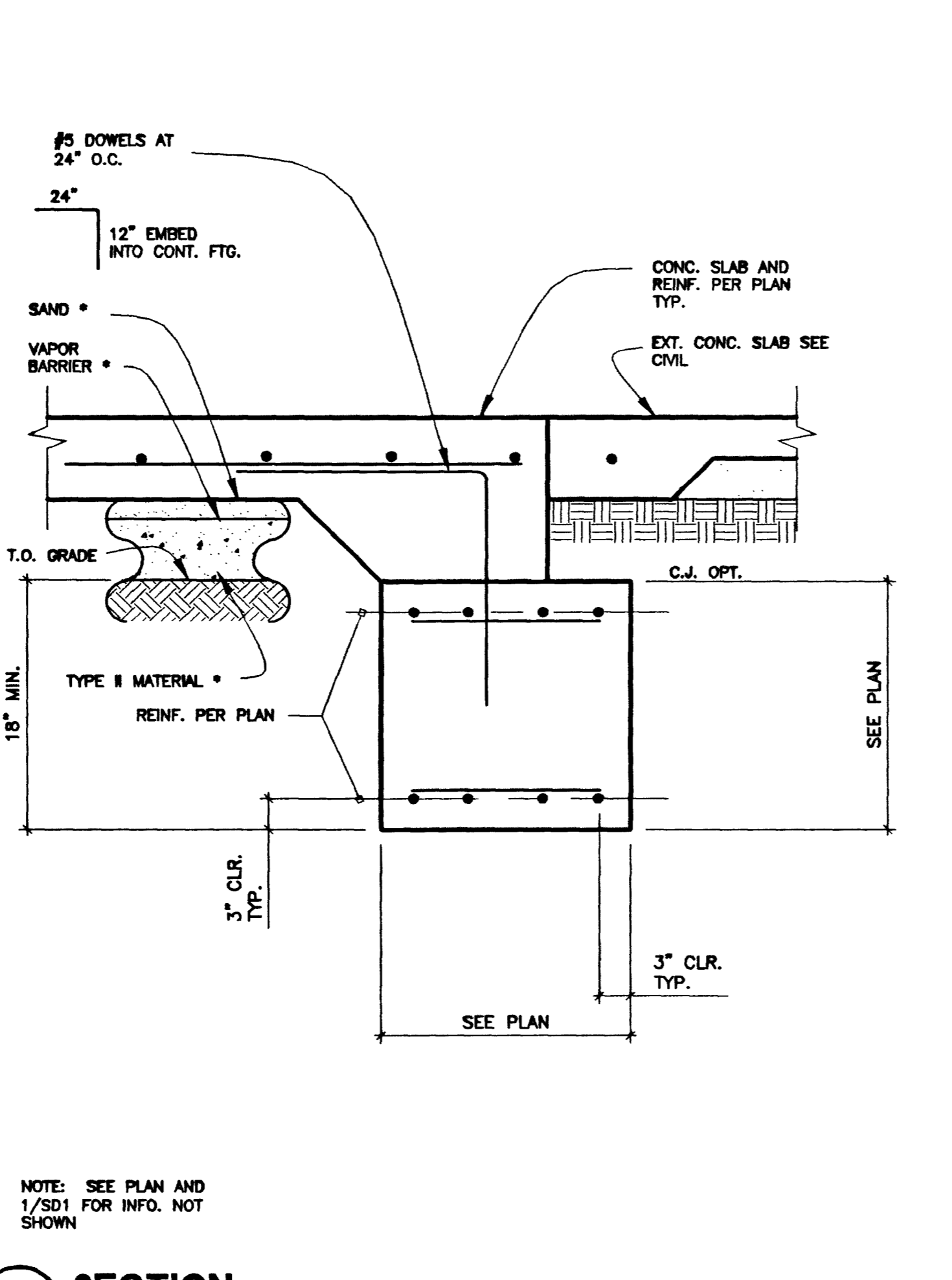
6 SECTION AT TRENCH DRAIN
 1" = 1'-0"



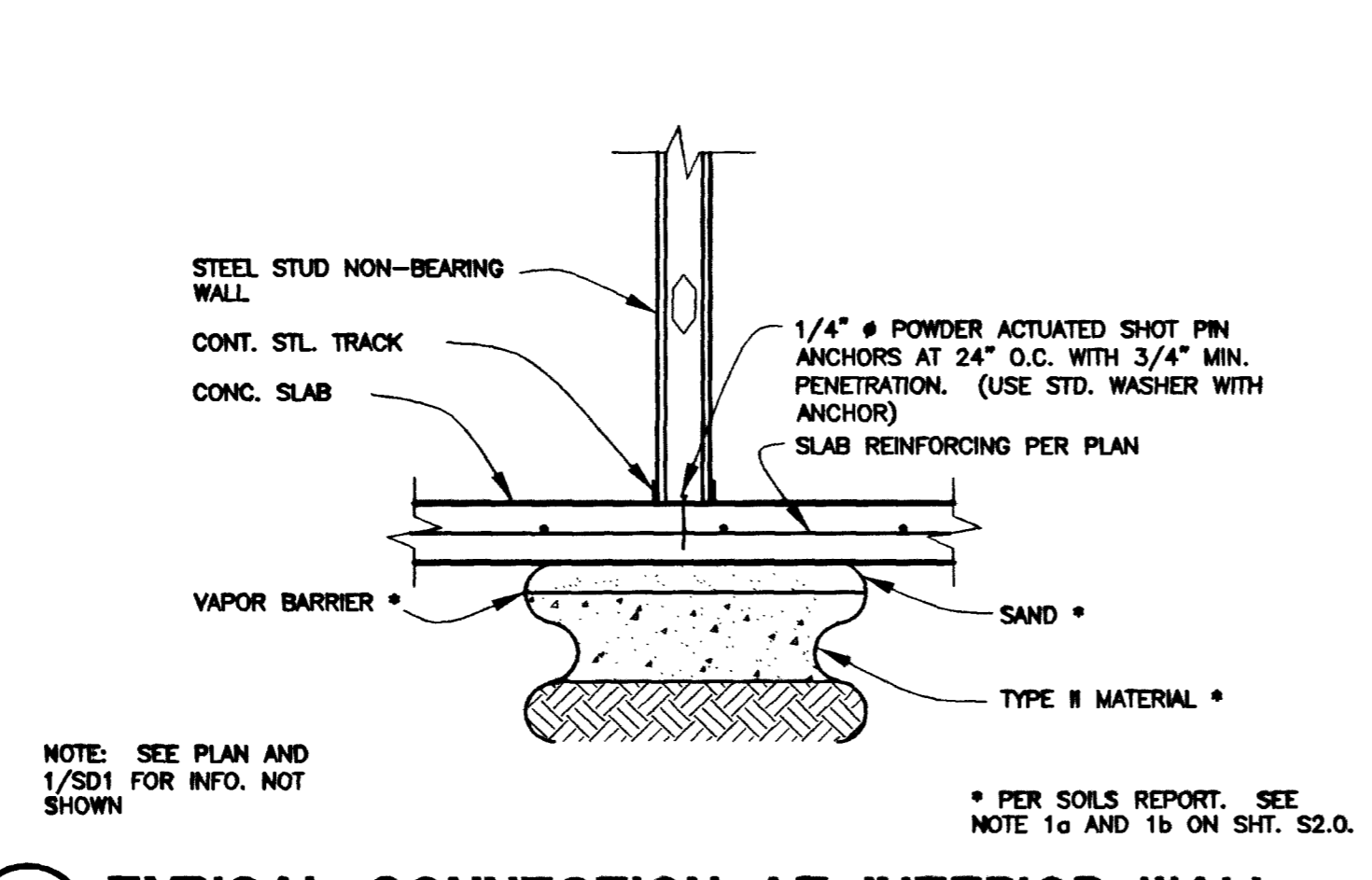
5 SECTION
 3/4" = 1'-0"



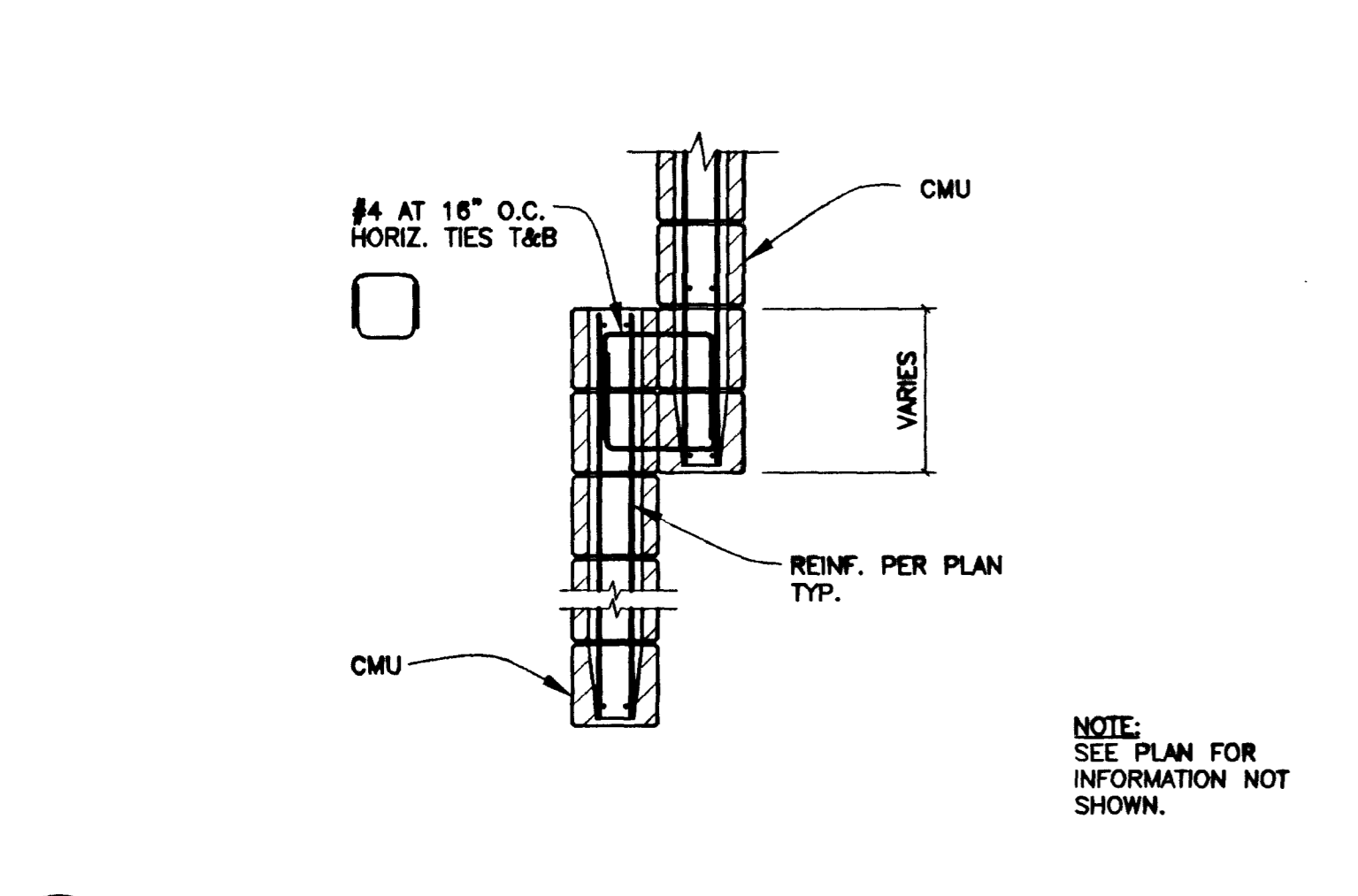
12 SECTION AT SLAB RECESS
 1" = 1'-0"



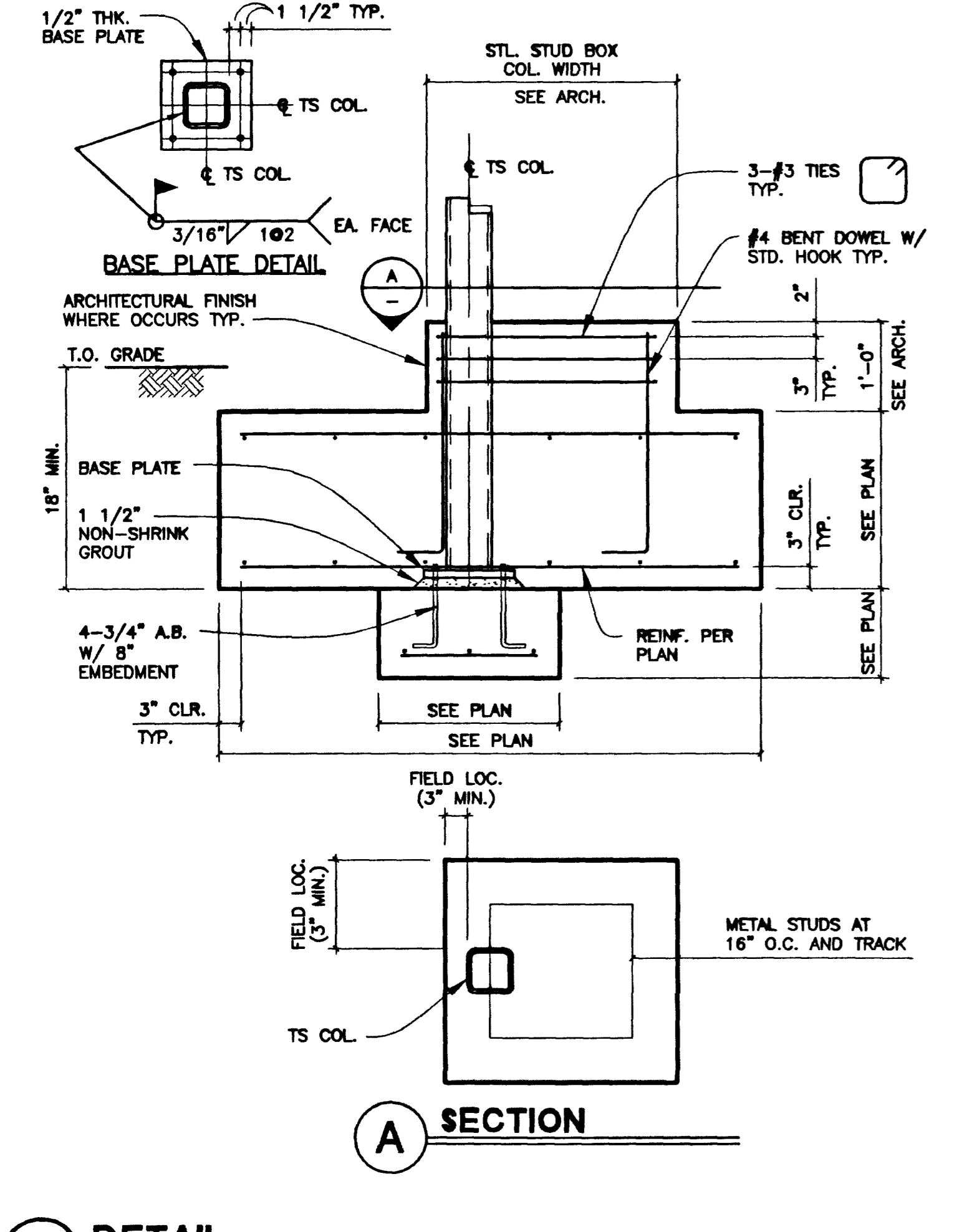
10 SECTION
 1" = 1'-0"



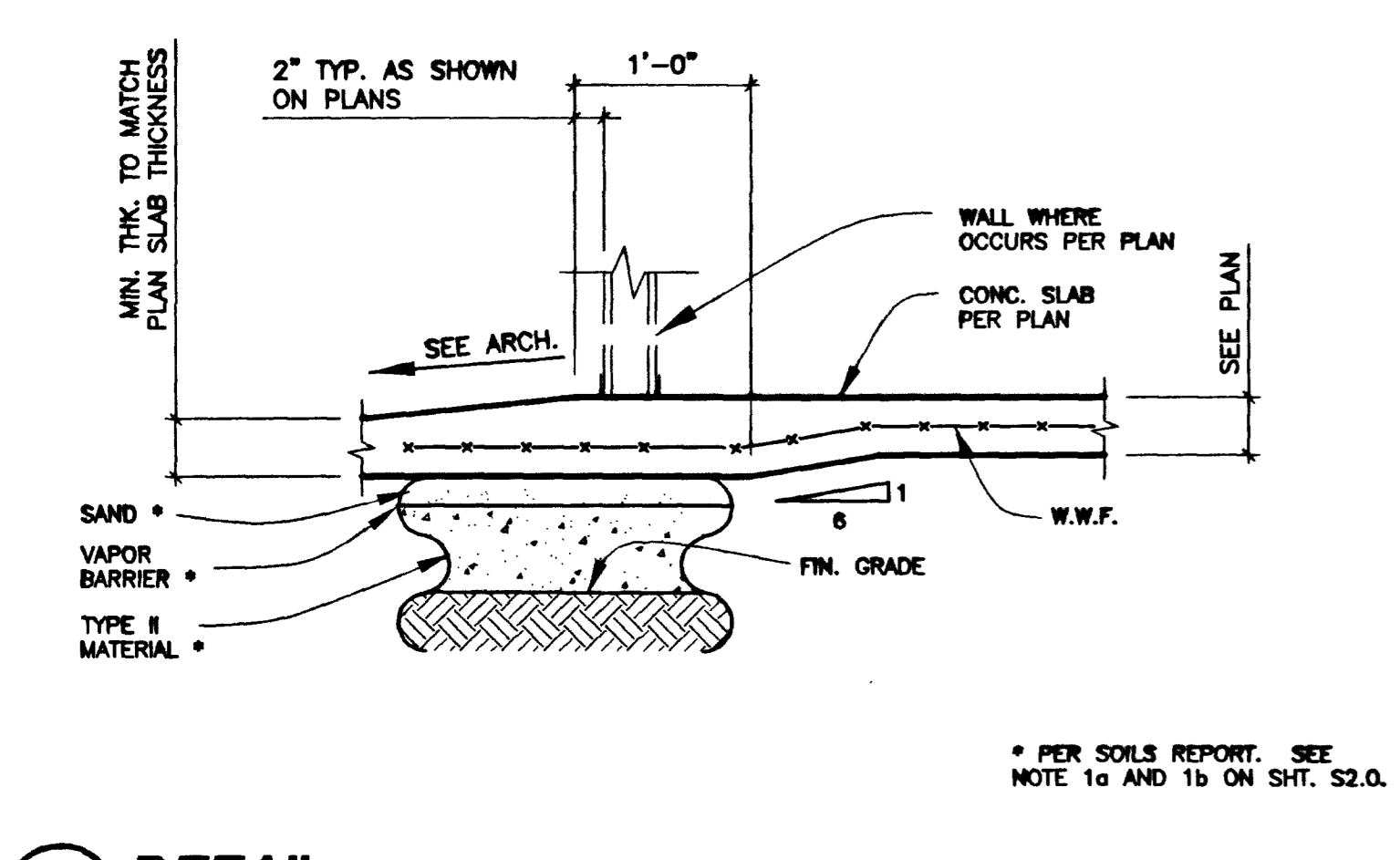
9 TYPICAL CONNECTION AT INTERIOR WALL
 1" = 1'-0"



16 SECTION
 3/4" = 1'-0"



14 DETAIL
 3/4" = 1'-0"



13 DETAIL
 3/4" = 1'-0"