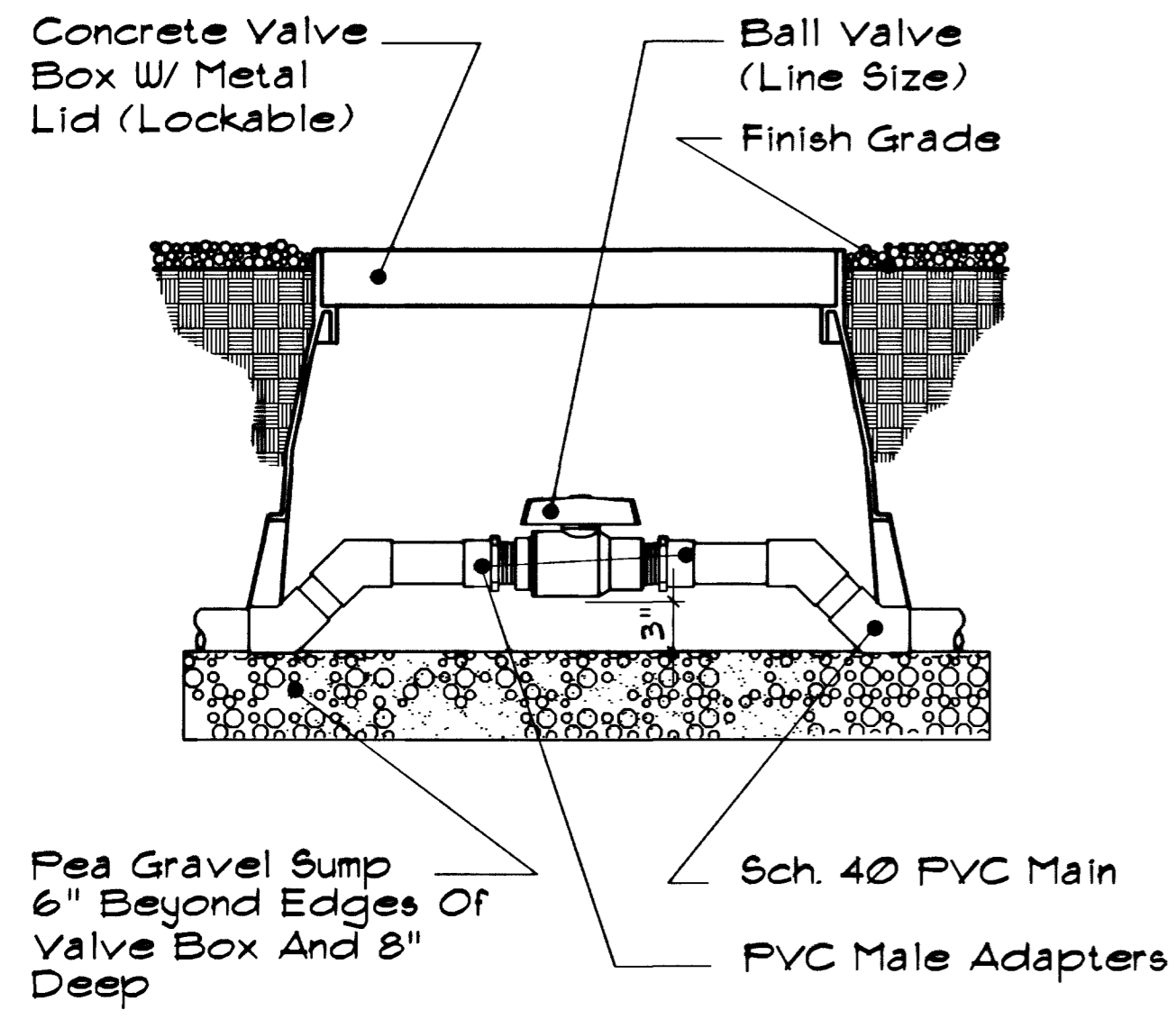
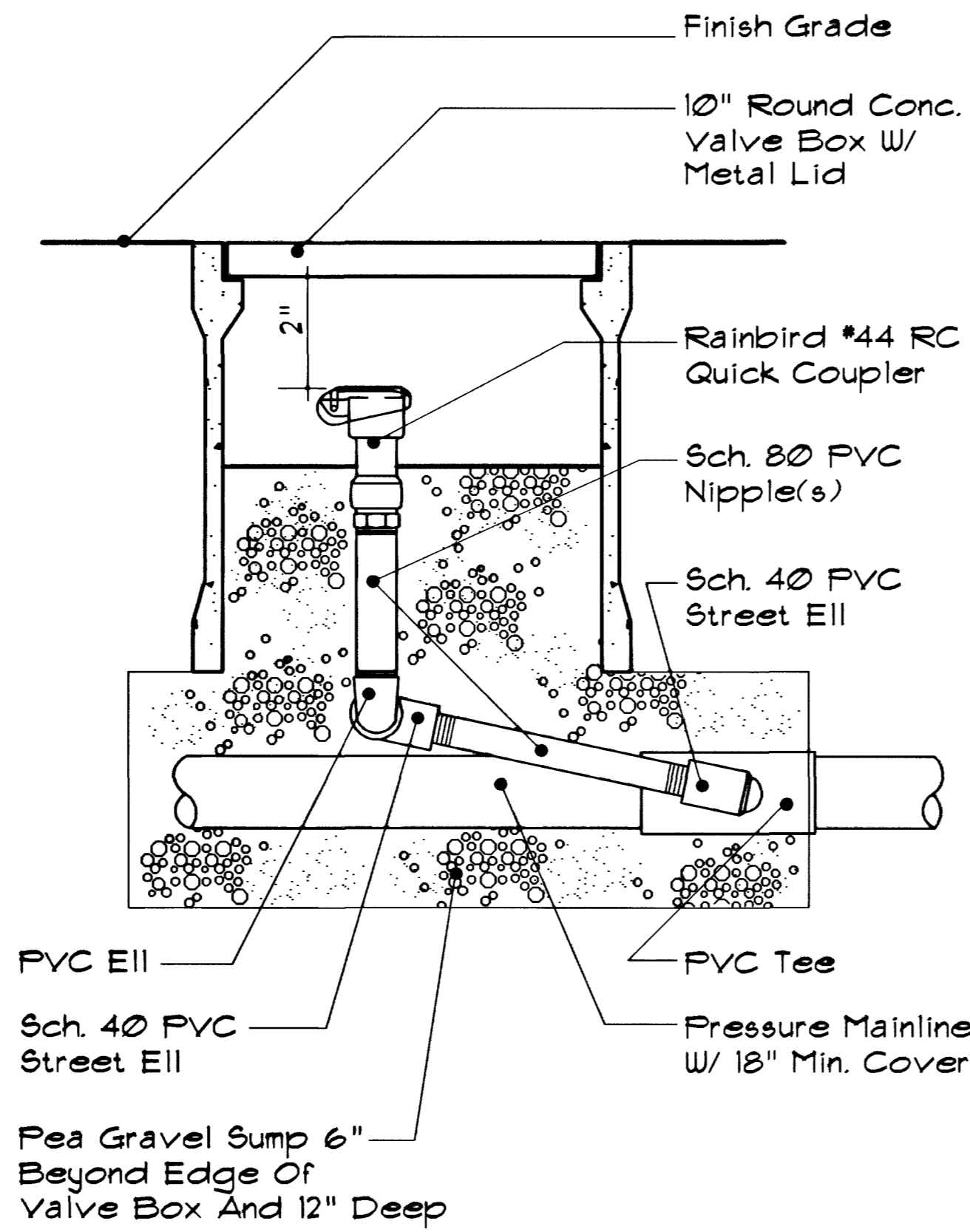




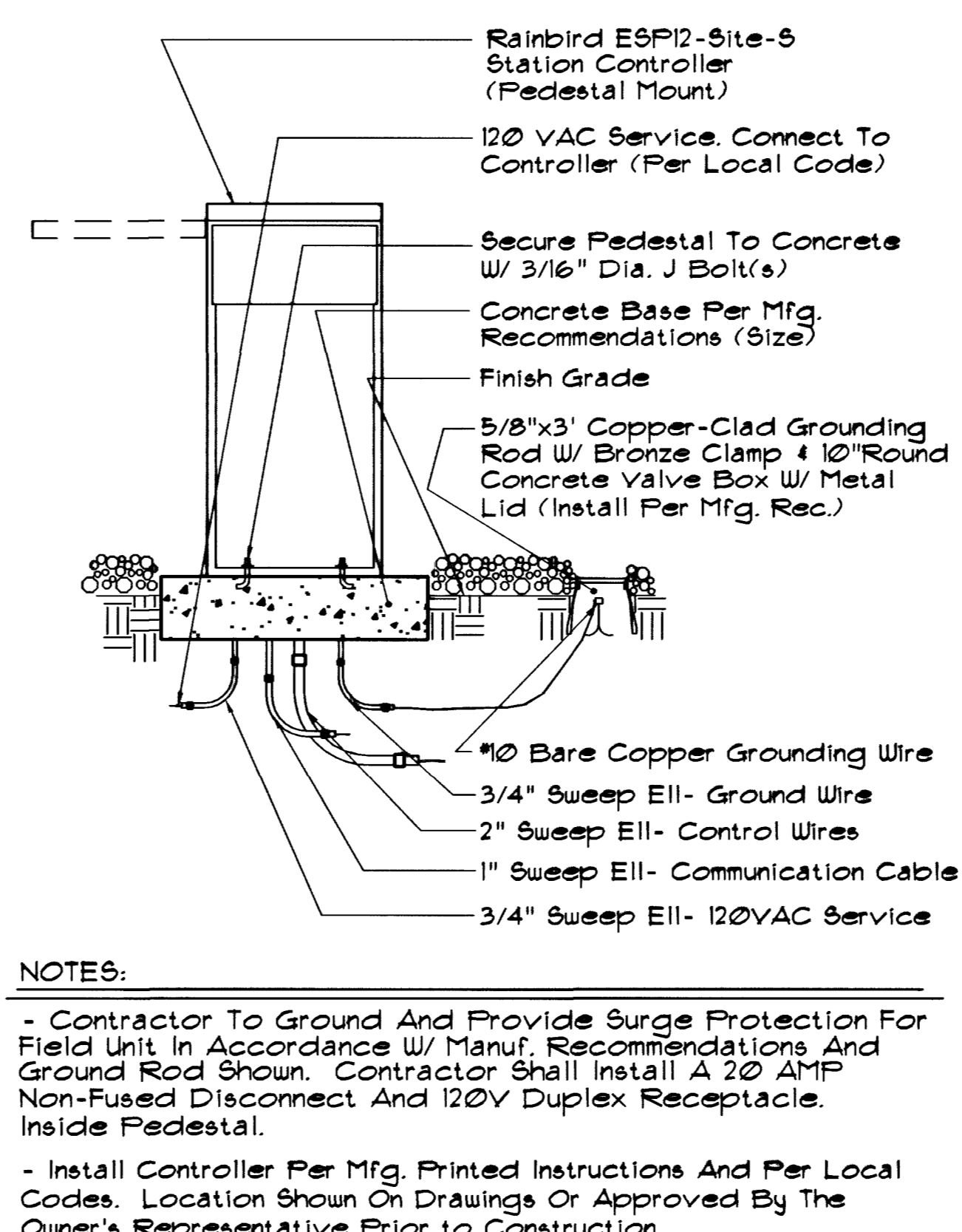
REVISIONS  
 Per Planning Dept. - 1/2/02  
 CONSULTANT



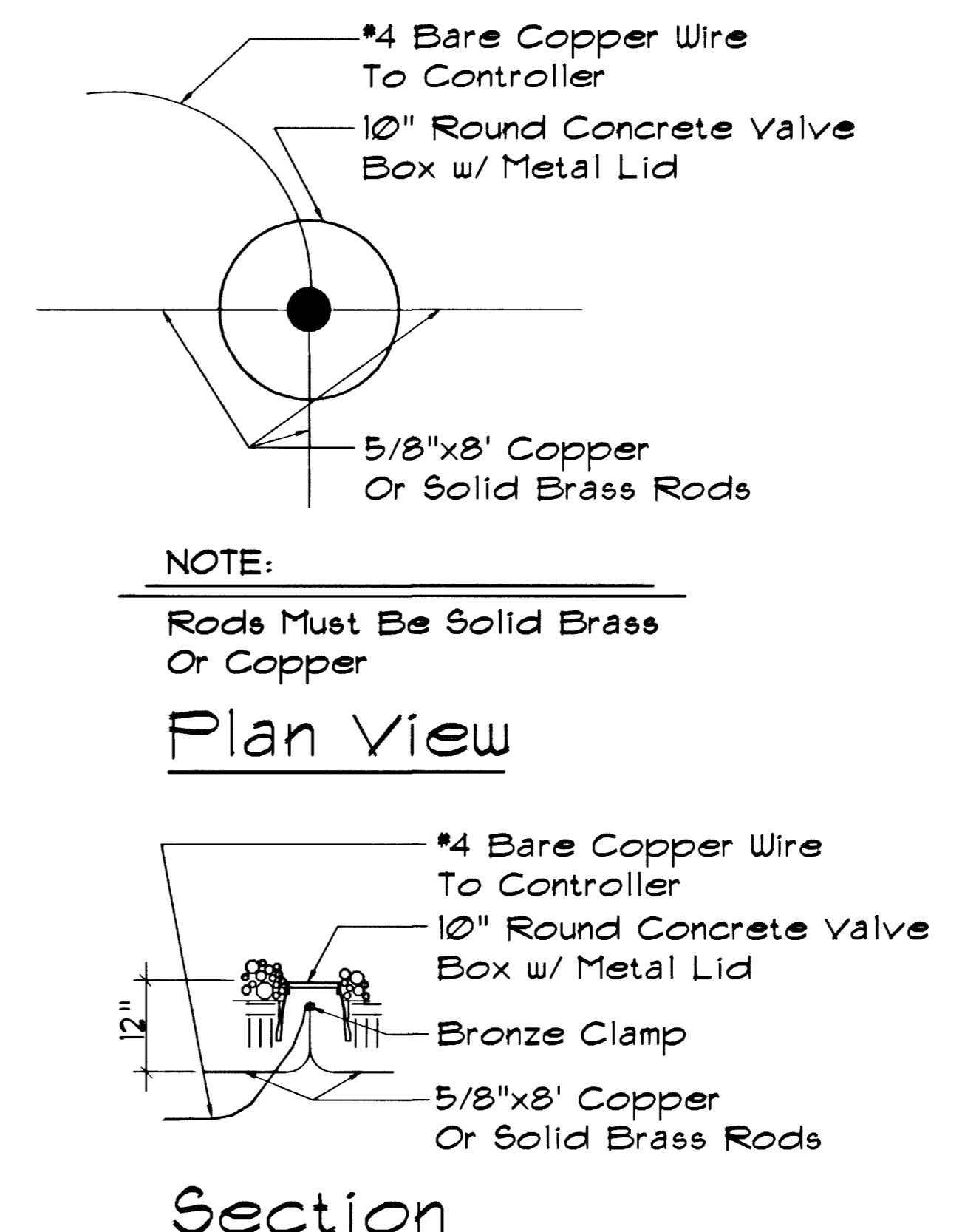
**1 Ball Valve**  
 Scale: N.T.S. 02200-01 L3-01



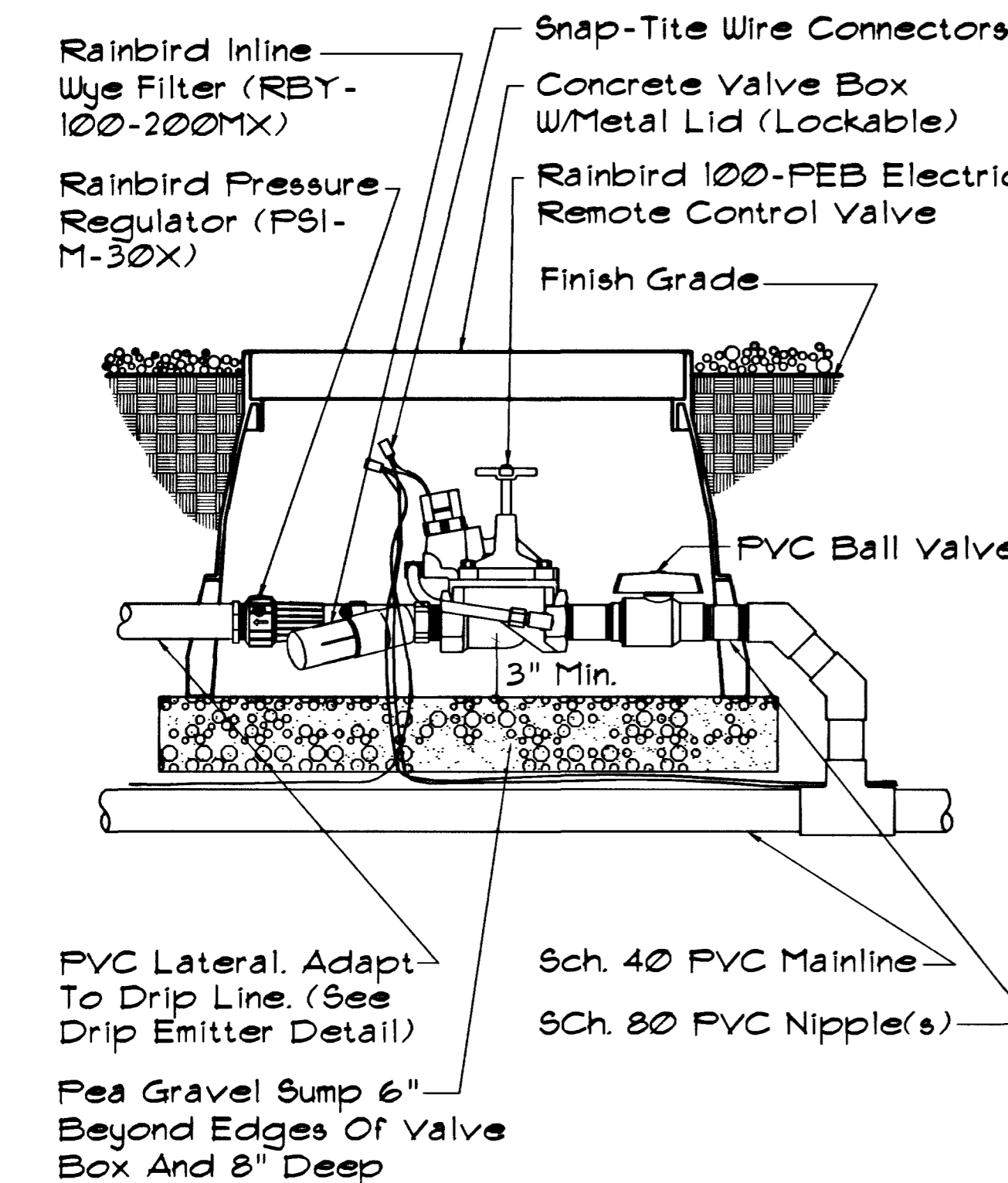
**2 Quick Coupler Valve**  
 Scale: N.T.S. 02200-02 L3-02



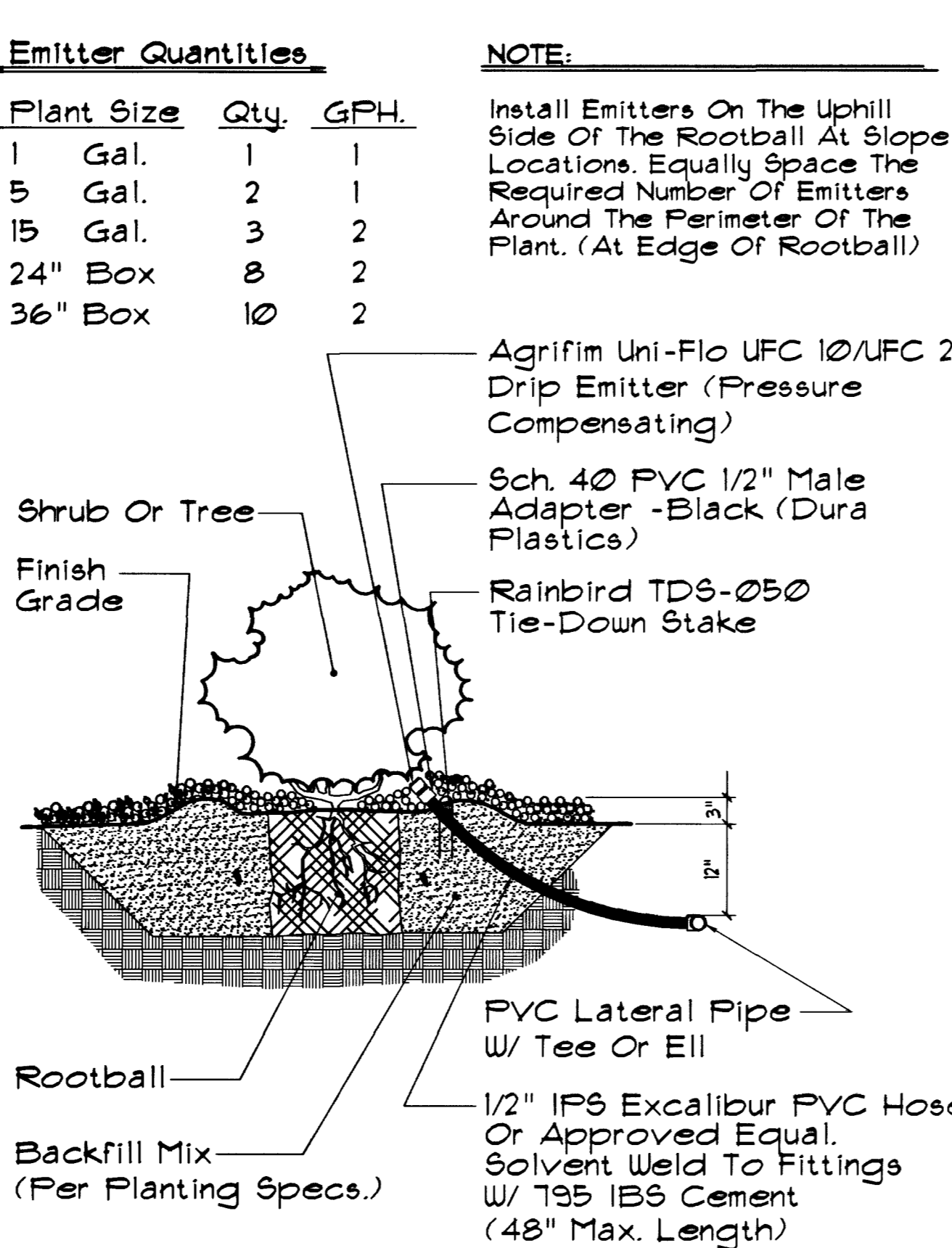
**3 Field Satellite Controller**  
 Scale: N.T.S. 02200-03 L3-03



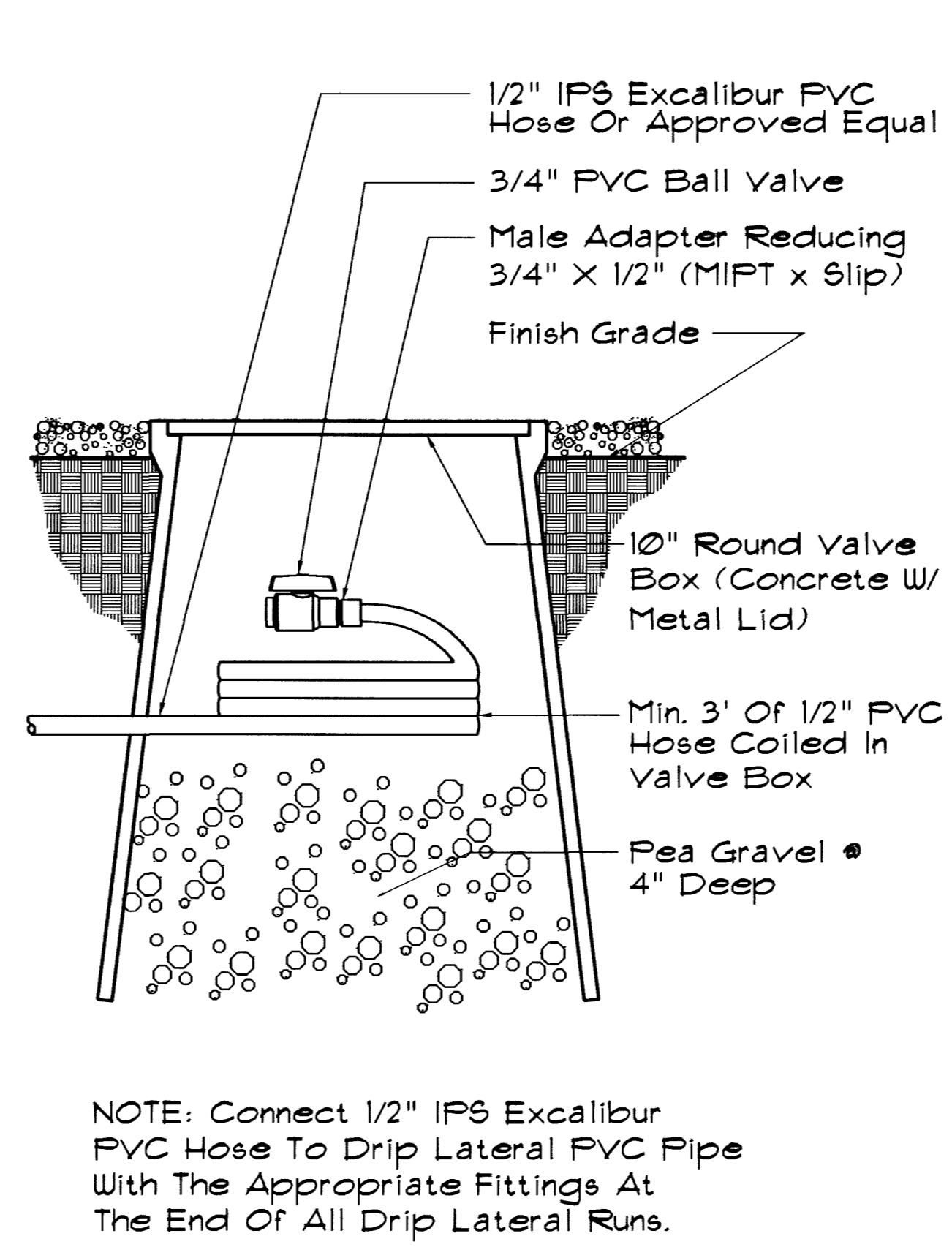
**4 Controller Grounding**  
 Scale: N.T.S. 02200-04 L3-04



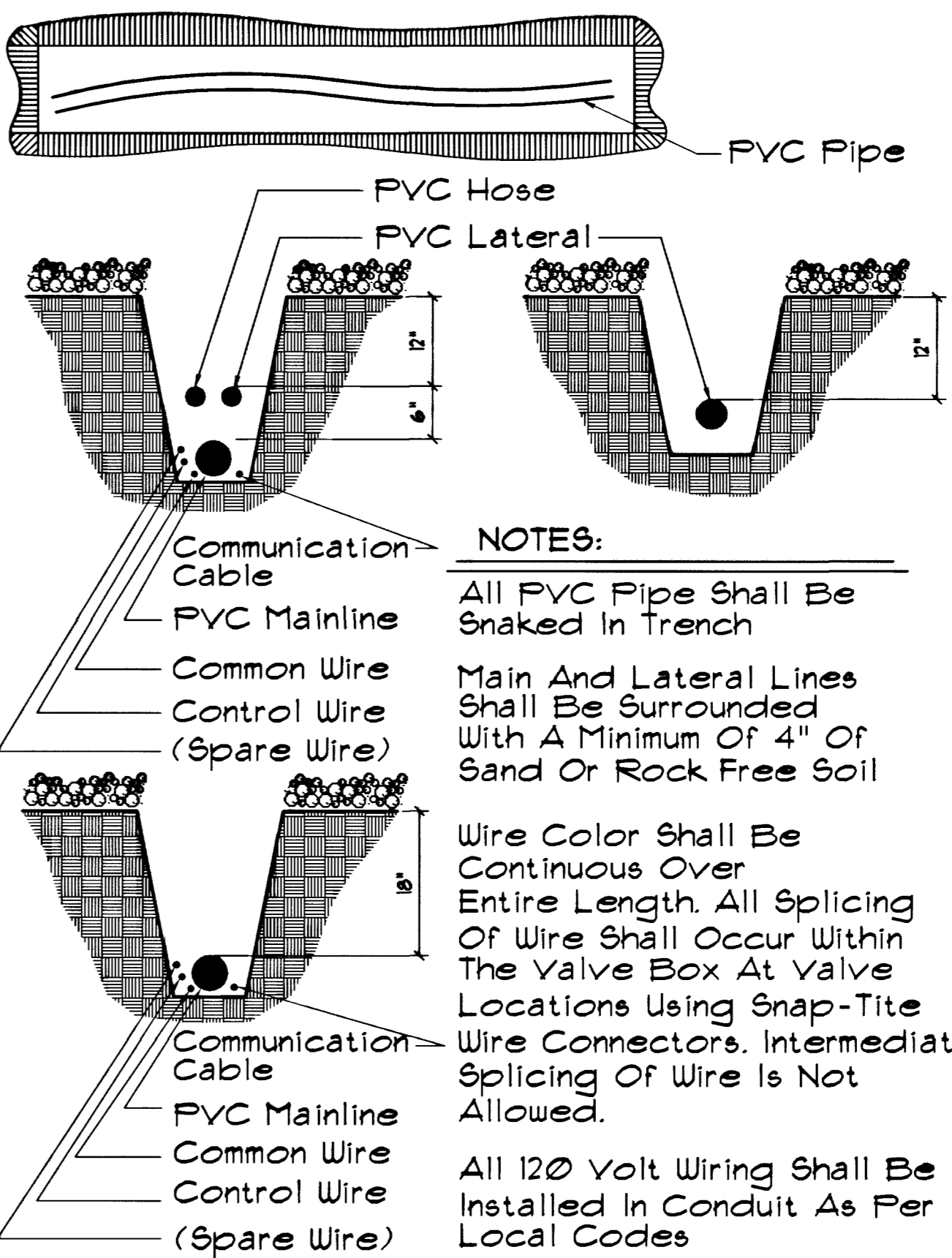
**5 Drip Valve Assembly**  
 Scale: N.T.S. 02200-05 L3-05



**6 Drip Emitter**  
 Scale: N.T.S. 02200-06 L3-06



**7 Drip End Ball Valve**  
 Scale: N.T.S. 02200-07 L3-07



**8 Trench Detail**  
 Scale: N.T.S. 02200-08 L3-08

**Emitter Quantities**

| Plant Size | Qty. | GPH. |
|------------|------|------|
| 1 Gal.     | 1    | 1    |
| 5 Gal.     | 2    | 1    |
| 15 Gal.    | 3    | 2    |
| 24" Box    | 8    | 2    |
| 36" Box    | 10   | 2    |

**NOTE:**  
 Install Emitters On The Uphill Side Of The Rootball At Slope Locations. Equally Space The Required Number Of Emitters Around The Perimeter Of The Plant. (At Edge Of Rootball)

Avoid cutting underground utility lines. It's costly.  
 Call before you Dig.  
 1-800-227-2600

**RECORD DRAWING**

**DEPARTMENT OF PUBLIC WORKS**  
 CITY OF LAS VEGAS, NEVADA  
 FIRE STATION #44  
 Irrigation Details

OWNER: CITY OF LAS VEGAS  
 DEPARTMENT OF PUBLIC WORKS  
 ARCHITECTURAL SERVICES

400 EAST STEWART AVENUE  
 LAS VEGAS, NEVADA 89101  
 PHONE: (702) 229-6535  
 FAX: (702) 382-3232  
 TDD: (702) 386-9108

DRAWN: CLEUB  
 FILE: 1644/1644-L3  
 DATE: 10/01  
 SCALE: As noted  
 BID NO: 02.15341.02  
 CLV DWG NO: 630.97  
 SHEET NO: 28 OF 106  
 SHEET NO: L3