



REVISIONS
 1 9-8-01 BLDG DEPT RESUBMITTAL
 CONSULTANT

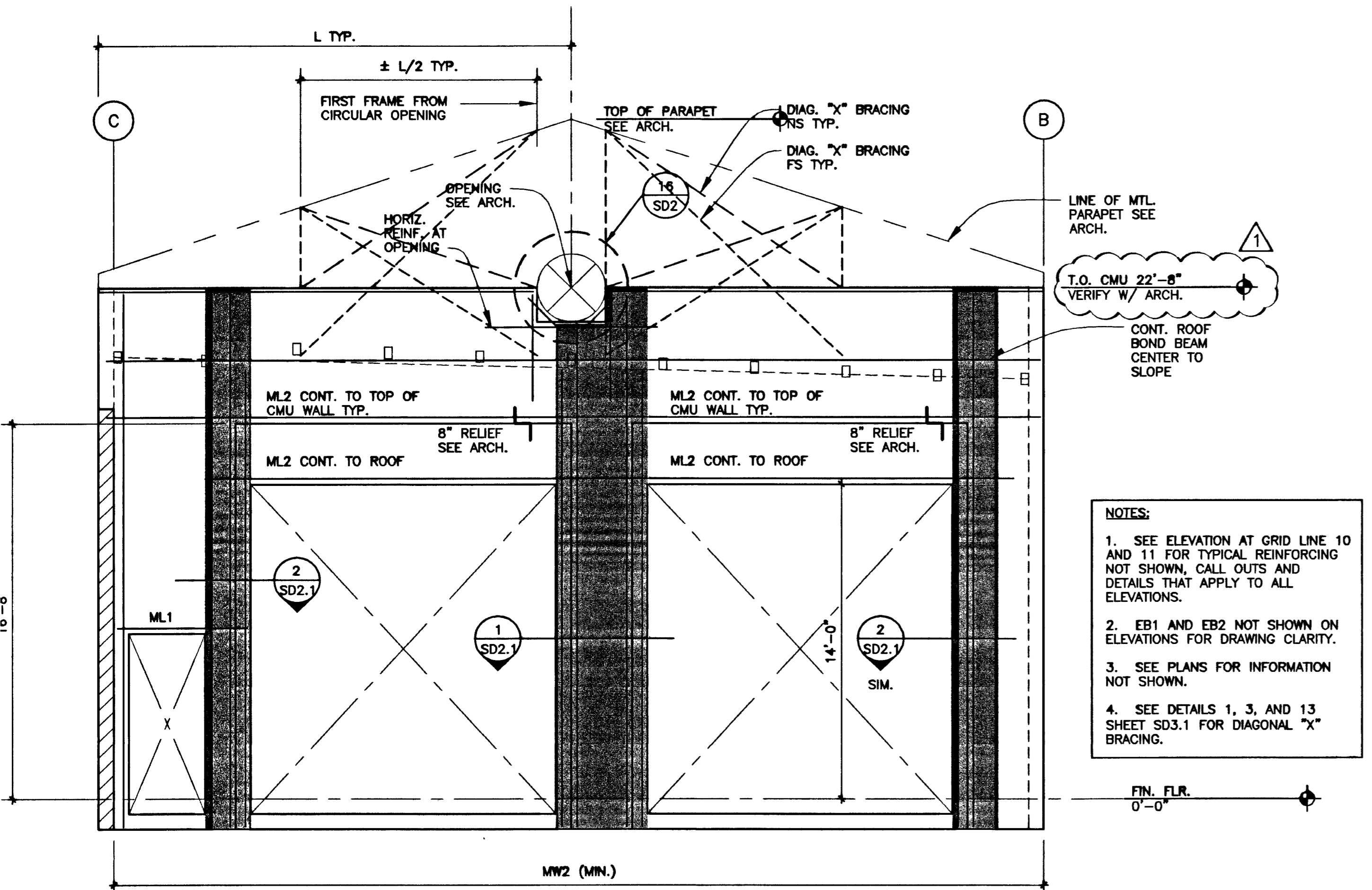
DEC INC.
 2800 So. RANCHO RD.
 LAS VEGAS, NEVADA 89102
 (702) 871-5154

CITY OF LAS VEGAS, NEVADA
 FIRE STATION #44
 CMU WALL ELEVATION

OCT 10 2001

DEPARTMENT OF PUBLIC WORKS
 ARCHITECTURAL SERVICES
 400 EAST STEWART AVENUE
 LAS VEGAS, NEVADA 89101
 PHONE: (702) 229-5535
 FAX: (702) 395-2232
 TDD: (702) 386-9108

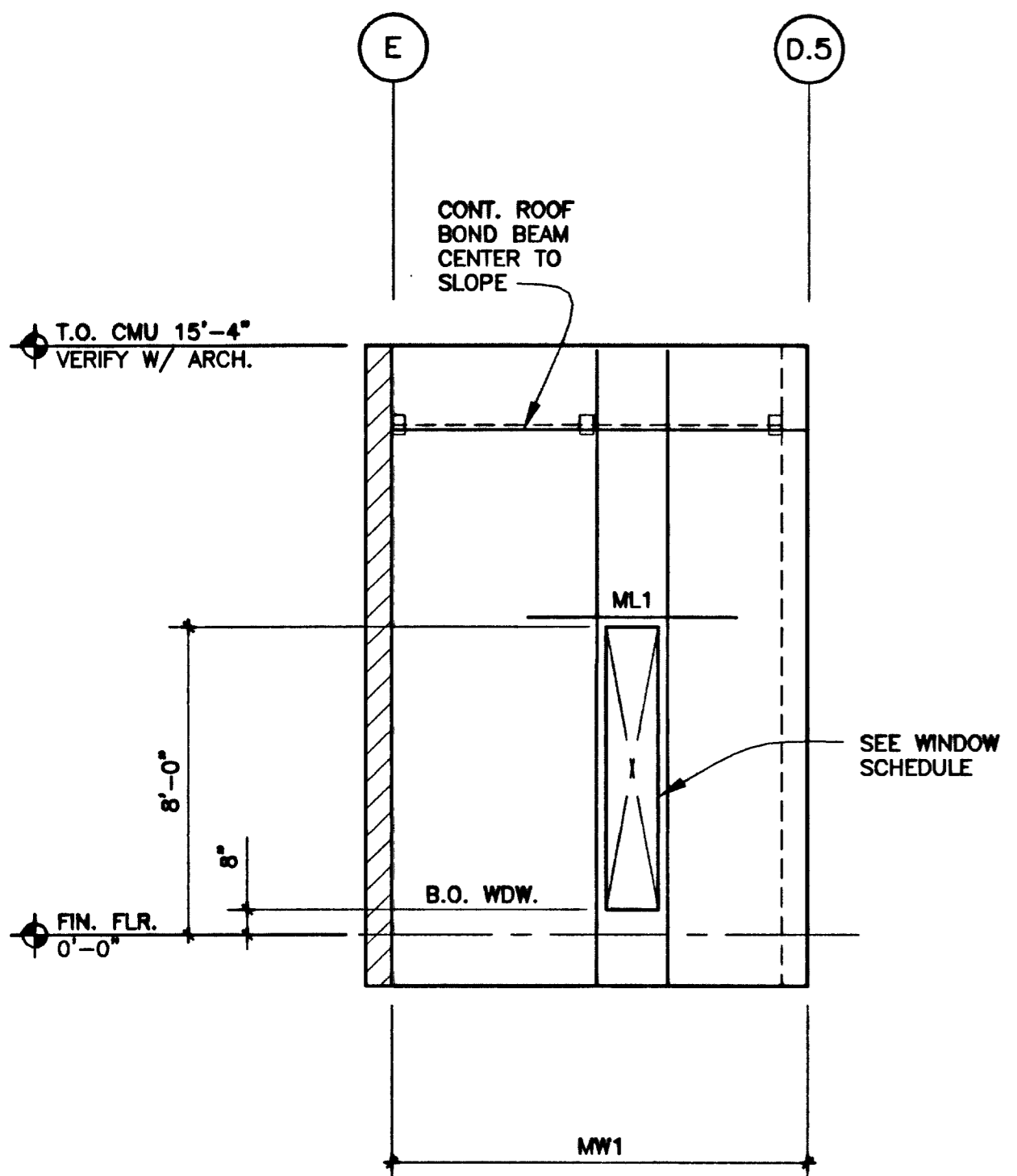
DESIGN ENGINEERING CONSULTANTS
 DRAWN: JJB
 FILE:
 DATE: 7/15/01 6/1/01
 SCALE: AS NOTED
 PROJECT: 630.97
 SHEET: 63 OF 106
 S4.4



NOTES:
 1. SEE ELEVATION AT GRID LINE 10 AND 11 FOR TYPICAL REINFORCING NOT SHOWN, CALL OUTS AND DETAILS THAT APPLY TO ALL ELEVATIONS.
 2. EB1 AND EB2 NOT SHOWN ON ELEVATIONS FOR DRAWING CLARITY.
 3. SEE PLANS FOR INFORMATION NOT SHOWN.
 4. SEE DETAILS 1, 3, AND 13 SHEET SD3.1 FOR DIAGONAL 'X' BRACING.

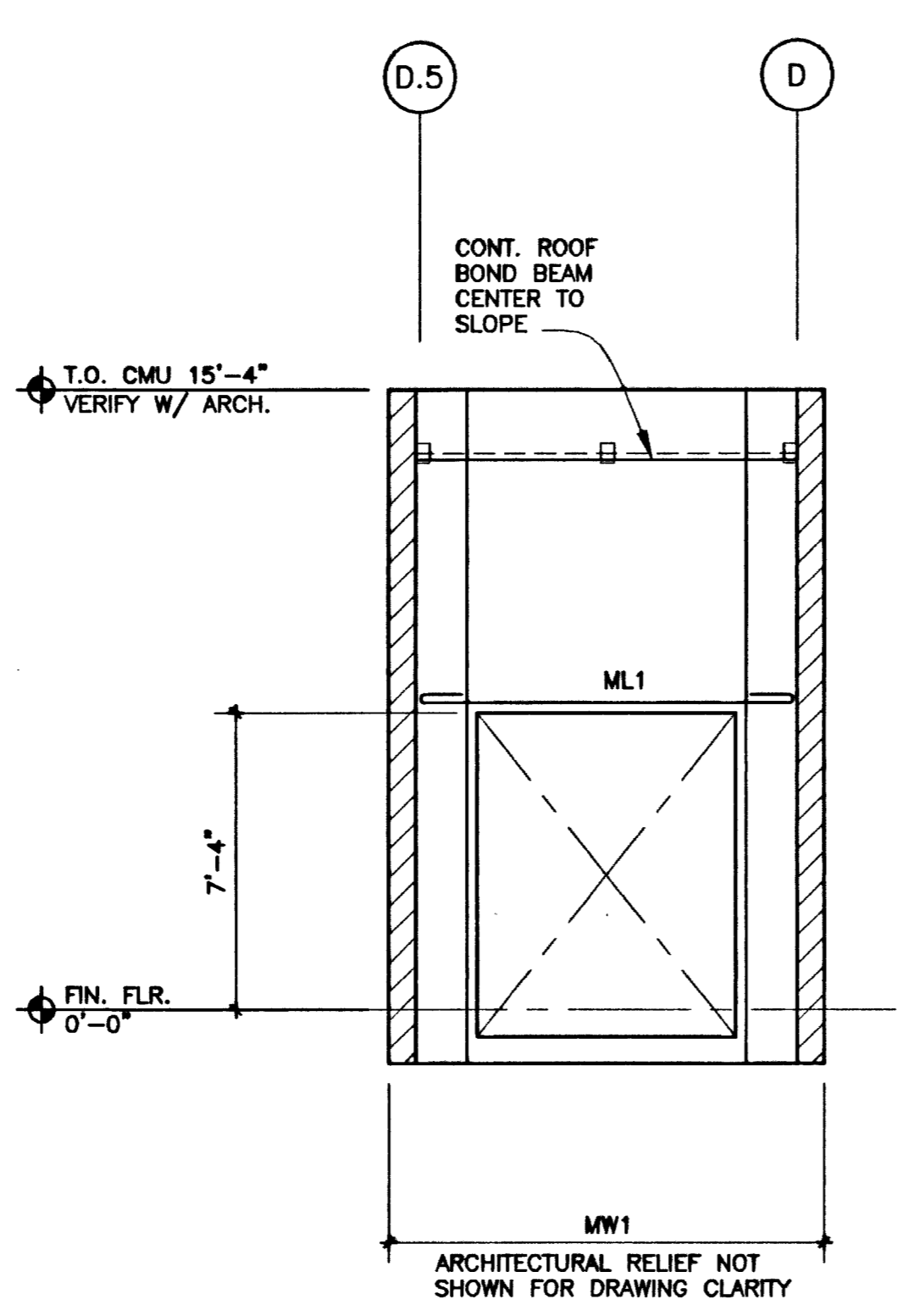
CMU WALL ELEVATION AT GRID LINE 17
 1/4" = 1'-0"

NOTE:
 1. SEE ELEVATION AT GRID LINE 10 AND 11 FOR TYPICAL REINFORCING NOT SHOWN, CALL OUTS AND DETAILS THAT APPLY TO ALL ELEVATIONS.
 2. EB1 AND EB2 NOT SHOWN ON ELEVATIONS FOR DRAWING CLARITY.
 3. SEE PLANS FOR INFORMATION NOT SHOWN.

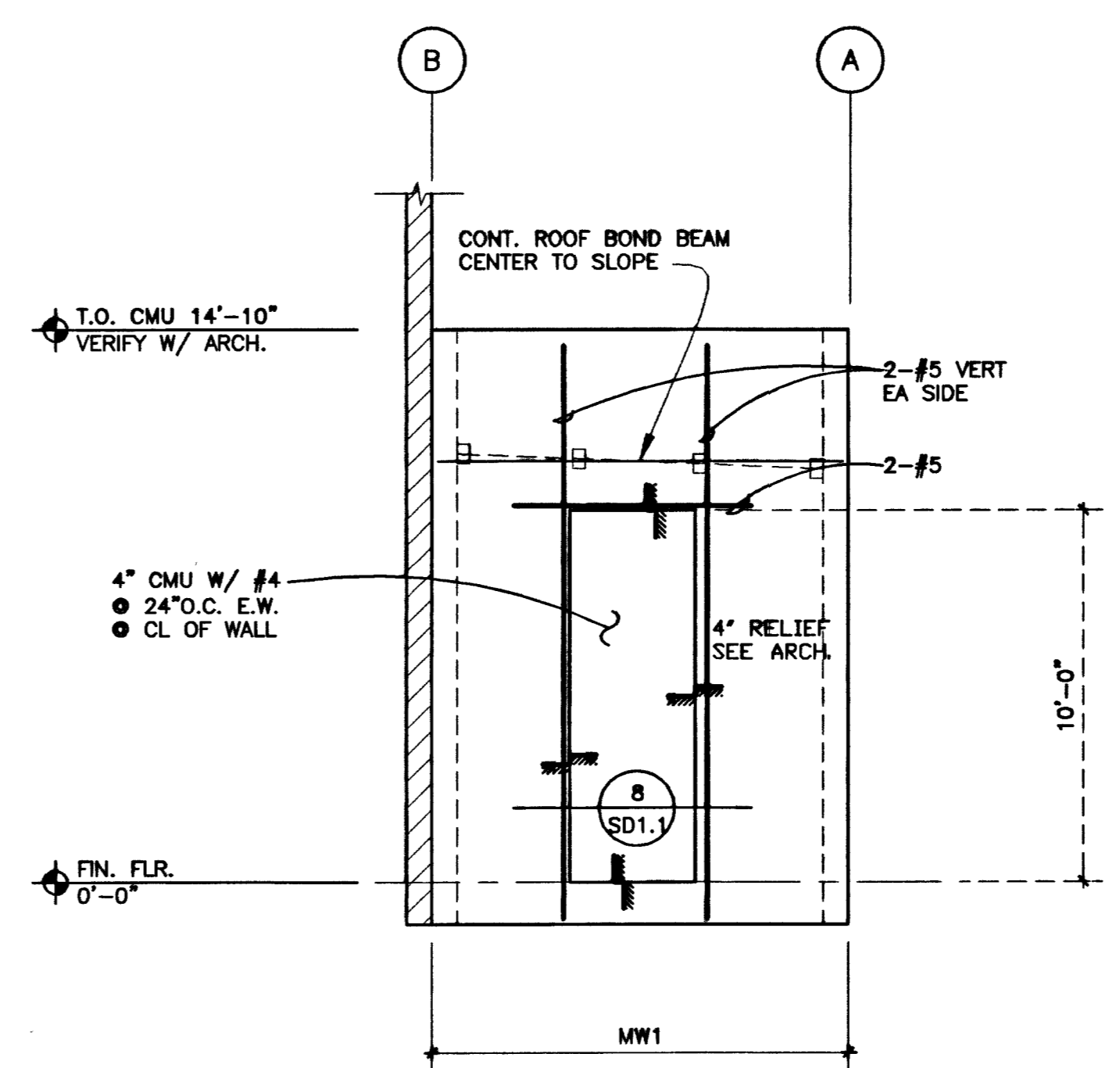


CMU WALL ELEVATION AT GRID LINE 3.3
 1/4" = 1'-0" 5285

NOTE:
 1. SEE ELEVATION AT GRID LINE 10 AND 11 FOR TYPICAL REINFORCING NOT SHOWN, CALL OUTS AND DETAILS THAT APPLY TO ALL ELEVATIONS.
 2. EB1 AND EB2 NOT SHOWN ON ELEVATIONS FOR DRAWING CLARITY.
 3. SEE PLANS FOR INFORMATION NOT SHOWN.



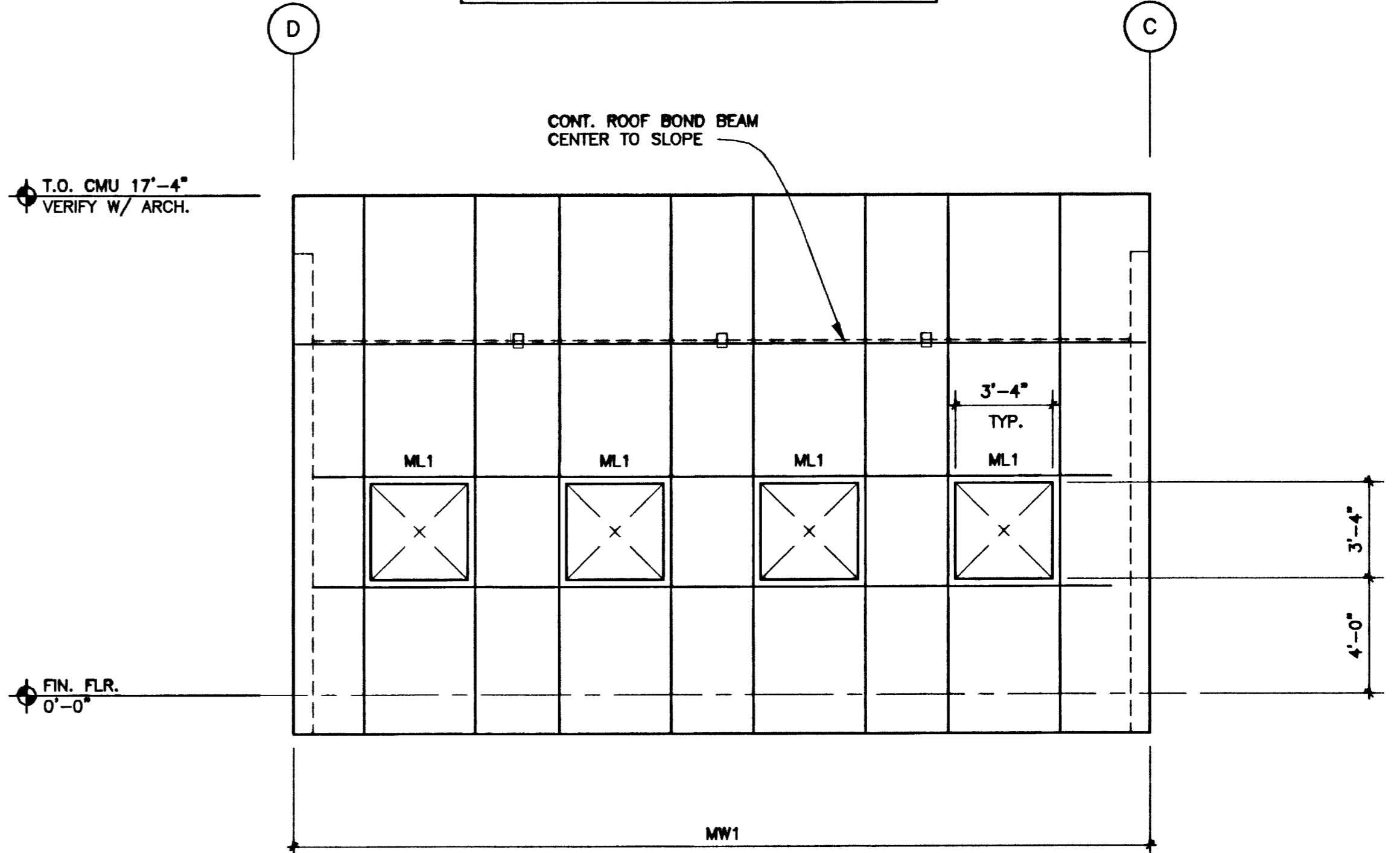
CMU WALL ELEVATION AT GRID LINE 3.7
 1/4" = 1'-0"



NOTE:
 1. SEE ELEVATION AT GRID LINE 10 AND 11 FOR TYPICAL REINFORCING NOT SHOWN, CALL OUTS AND DETAILS THAT APPLY TO ALL ELEVATIONS.
 2. EB1 AND EB2 NOT SHOWN ON ELEVATIONS FOR DRAWING CLARITY.
 3. SEE PLANS FOR INFORMATION NOT SHOWN.

CMU WALL ELEVATION AT GRID LINE 18
 1/4" = 1'-0"

NOTE:
 1. SEE ELEVATION AT GRID LINE 10 AND 11 FOR TYPICAL REINFORCING NOT SHOWN, CALL OUTS AND DETAILS THAT APPLY TO ALL ELEVATIONS.
 2. EB1 AND EB2 NOT SHOWN ON ELEVATIONS FOR DRAWING CLARITY.
 3. SEE PLANS FOR INFORMATION NOT SHOWN.



CMU WALL ELEVATION AT GRID LINE 18
 1/4" = 1'-0"