



REVISIONS  
 1 8-6-01 BLDG DEPT RESUBMITTAL  
 CONSULTANT

**DEC**  
 2800 SO. RANCHO RD.  
 LAS VEGAS, NEVADA 89102  
 (702) 871-5154

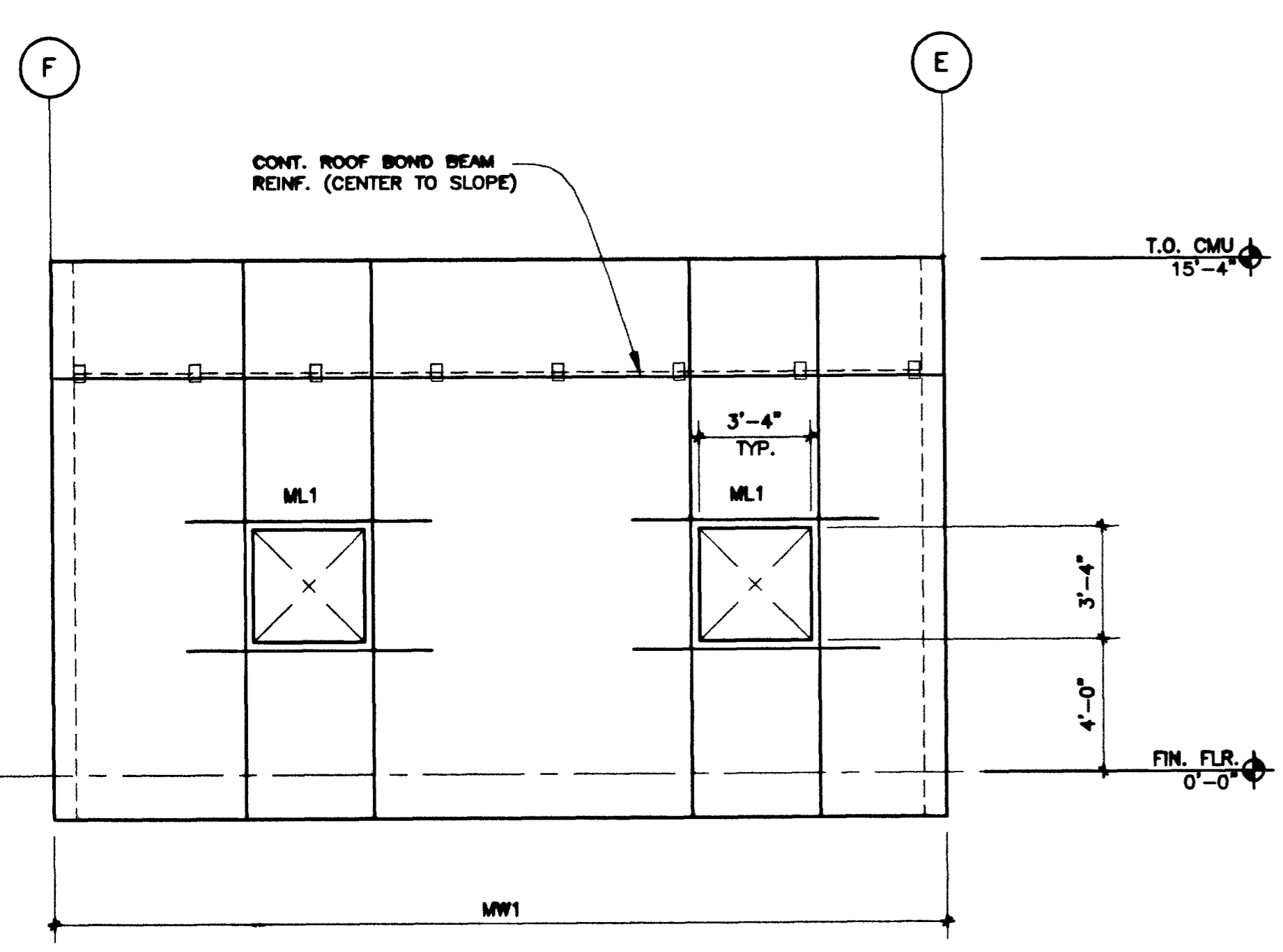
CITY OF LAS VEGAS, NEVADA  
 FIRE STATION #44  
 CMU WALL ELEVATION

DEPARTMENT OF PUBLIC WORKS  
 ARCHITECTURAL SERVICES  
 400 EAST STEWART AVENUE  
 LAS VEGAS, NEVADA 89101  
 PHONE: (702) 228-8836  
 FAX: (702) 382-9232  
 TDD: (702) 386-9108

DESIGN ENGINEERING CONSULTANTS  
 DRAWN: JLB  
 FILE:  
 DATE: 7/20/01 6/1/01  
 SCALE: AS NOTED  
 PROJECT: 08.07  
 SHEET: 62 OF 106

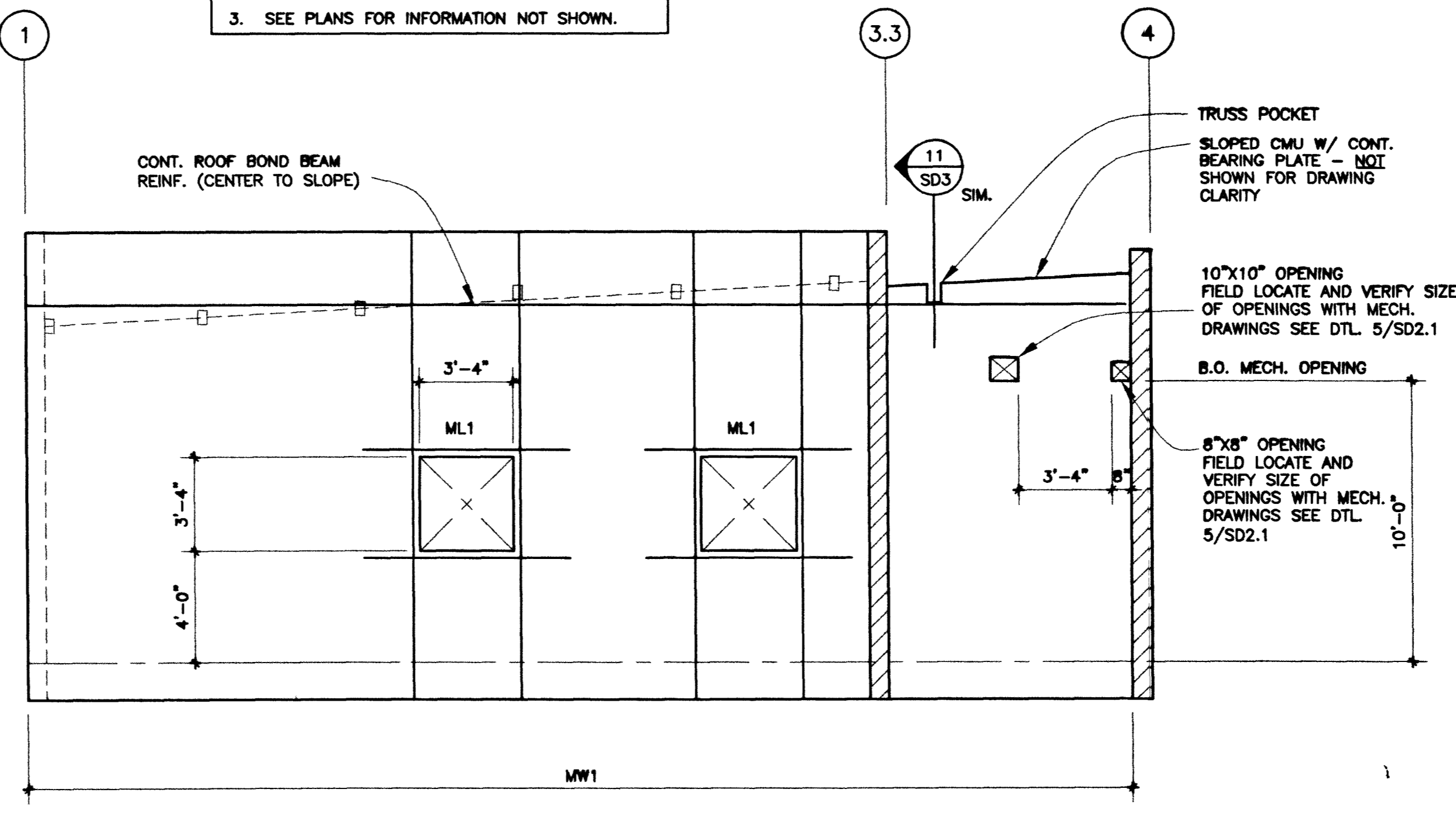
S4.3

NOTE:  
 1. SEE ELEVATION AT GRID LINE 10 AND 11 FOR TYPICAL REINFORCING NOT SHOWN, CALL OUTS AND DETAILS THAT APPLY TO ALL ELEVATIONS.  
 2. EB1 AND EB2 NOT SHOWN ON ELEVATIONS FOR DRAWING CLARITY.  
 3. SEE PLANS FOR INFORMATION NOT SHOWN.



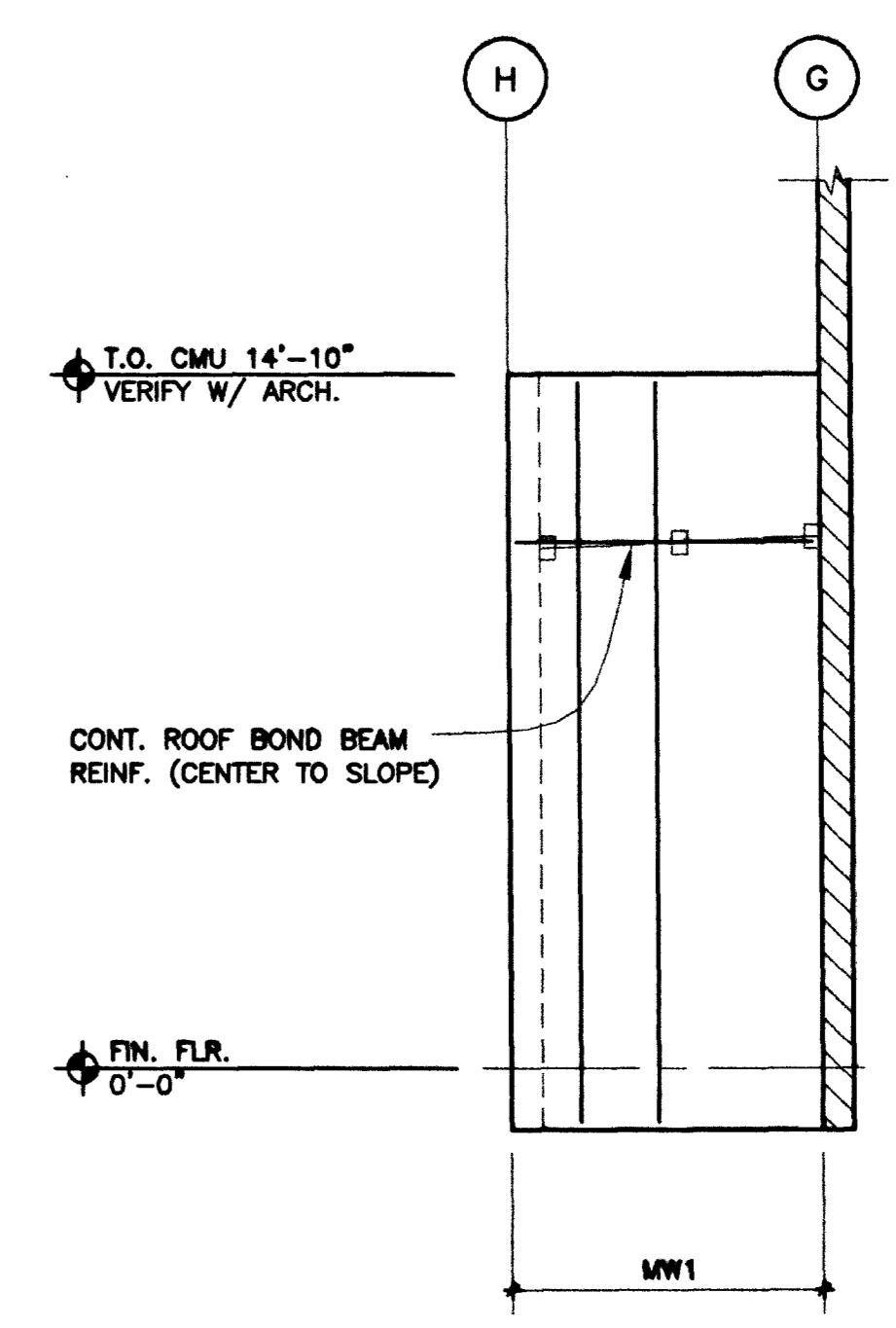
**CMU WALL ELEVATION AT GRID LINE 1**  
 1/4" = 1'-0"

NOTE:  
 1. SEE ELEVATION AT GRID LINE 10 AND 11 FOR TYPICAL REINFORCING NOT SHOWN, CALL OUTS AND DETAILS THAT APPLY TO ALL ELEVATIONS.  
 2. EB1 AND EB2 NOT SHOWN ON ELEVATIONS FOR DRAWING CLARITY.  
 3. SEE PLANS FOR INFORMATION NOT SHOWN.



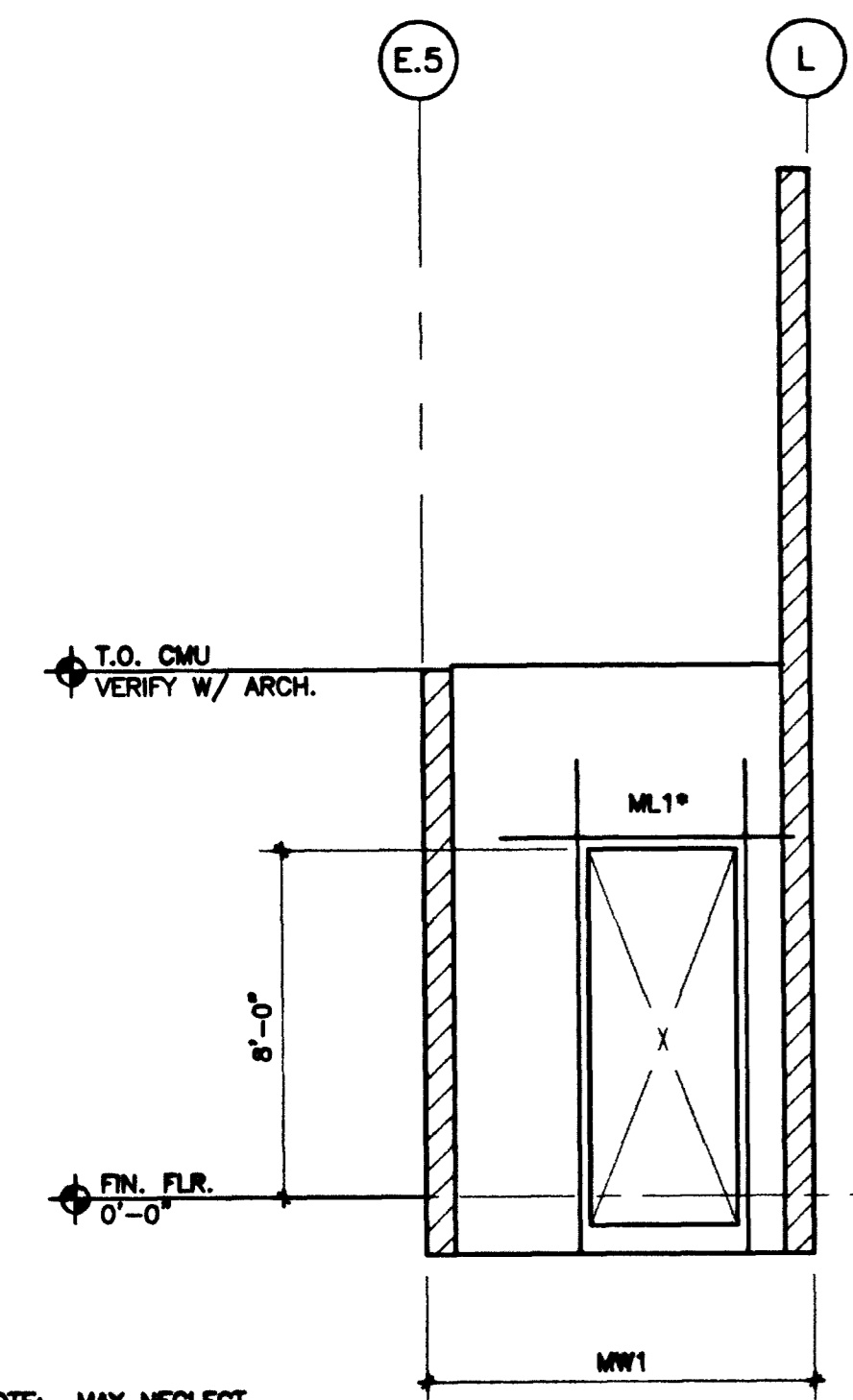
**CMU WALL ELEVATION AT GRID LINE E**  
 1/4" = 1'-0"

NOTE:  
 1. SEE ELEVATION AT GRID LINE 10 AND 11 FOR TYPICAL REINFORCING NOT SHOWN, CALL OUTS AND DETAILS THAT APPLY TO ALL ELEVATIONS.  
 2. EB1 AND EB2 NOT SHOWN ON ELEVATIONS FOR DRAWING CLARITY.  
 3. SEE PLANS FOR INFORMATION NOT SHOWN.



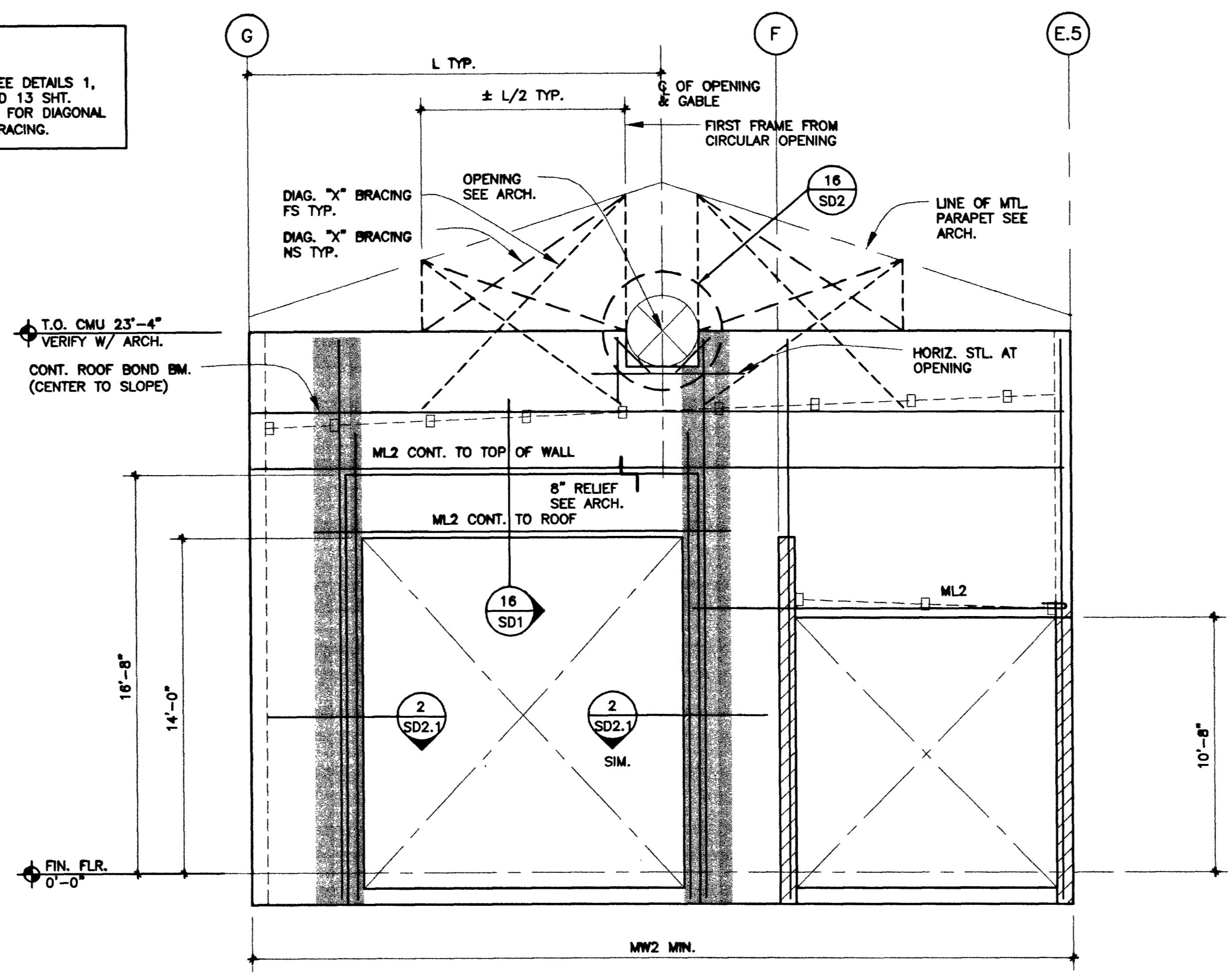
**CMU WALL ELEVATION AT GRID LINE 3**  
 1/4" = 1'-0"

NOTE:  
 1. SEE ELEVATION AT GRID LINE 10 AND 11 FOR TYPICAL REINFORCING NOT SHOWN, CALL OUTS AND DETAILS THAT APPLY TO ALL ELEVATIONS.  
 2. EB1 AND EB2 NOT SHOWN ON ELEVATIONS FOR DRAWING CLARITY.  
 3. SEE PLANS FOR INFORMATION NOT SHOWN.



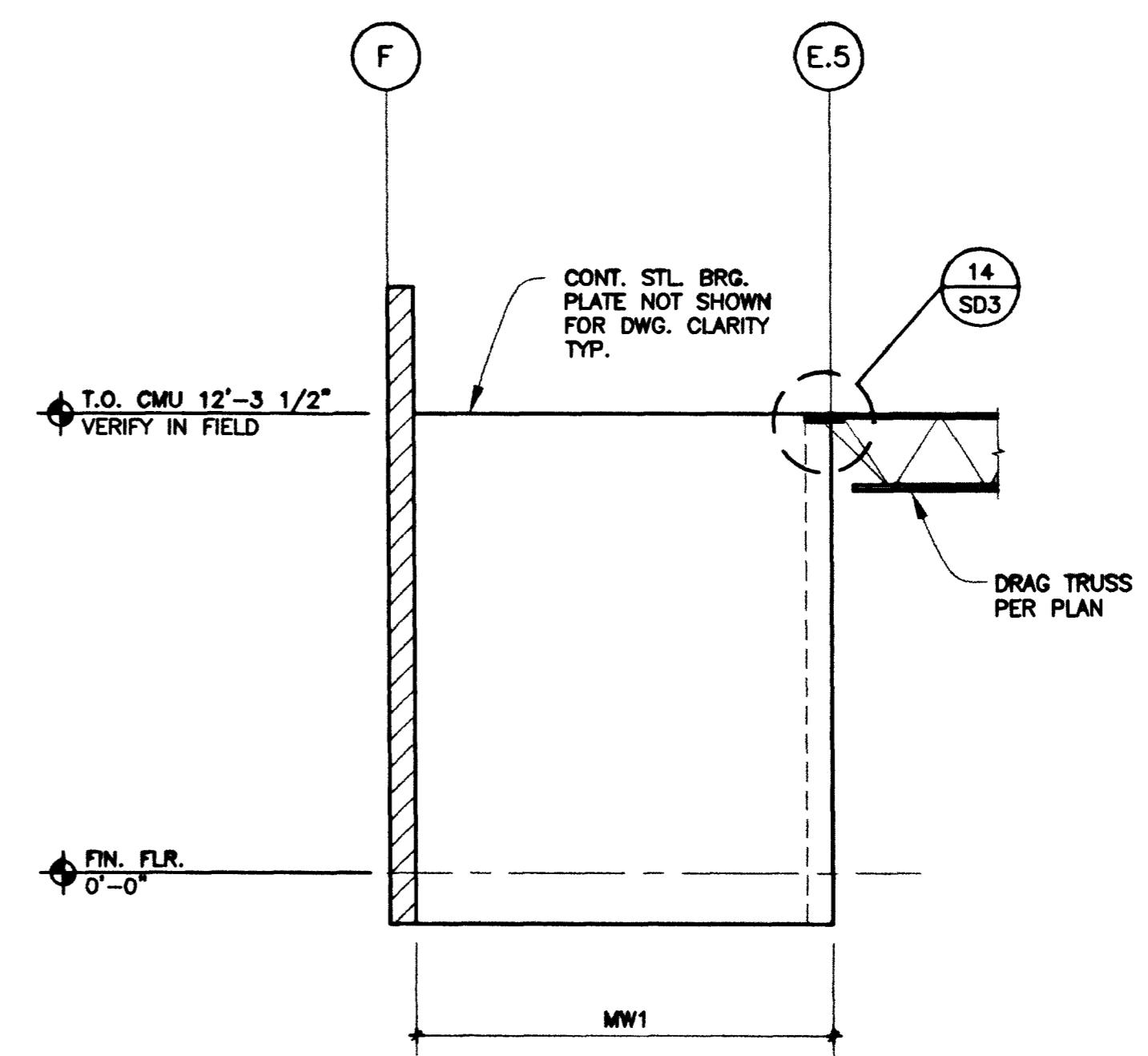
**CMU WALL ELEVATION AT GRID LINE 5.9**  
 1/4" = 1'-0" 57284

NOTE:  
 1. SEE DETAILS 1, 3, AND 13 SHT. SD3.1 FOR DIAGONAL "X" BRACING.



**CMU WALL ELEVATION AT GRID LINE 2**  
 1/4" = 1'-0"

NOTE:  
 1. SEE ELEVATION AT GRID LINE 10 AND 11 FOR TYPICAL REINFORCING NOT SHOWN, CALL OUTS AND DETAILS THAT APPLY TO ALL ELEVATIONS.  
 2. EB1 AND EB2 NOT SHOWN ON ELEVATIONS FOR DRAWING CLARITY.  
 3. SEE PLANS FOR INFORMATION NOT SHOWN.



**CMU WALL ELEVATION AT GRID LINE 1.9**  
 1/4" = 1'-0"

C:\Projects\2000\00000241\FIRE STATION #44\STRUC\4.0.dwg, 08/14/2003 04:19:51 PM, Administrator