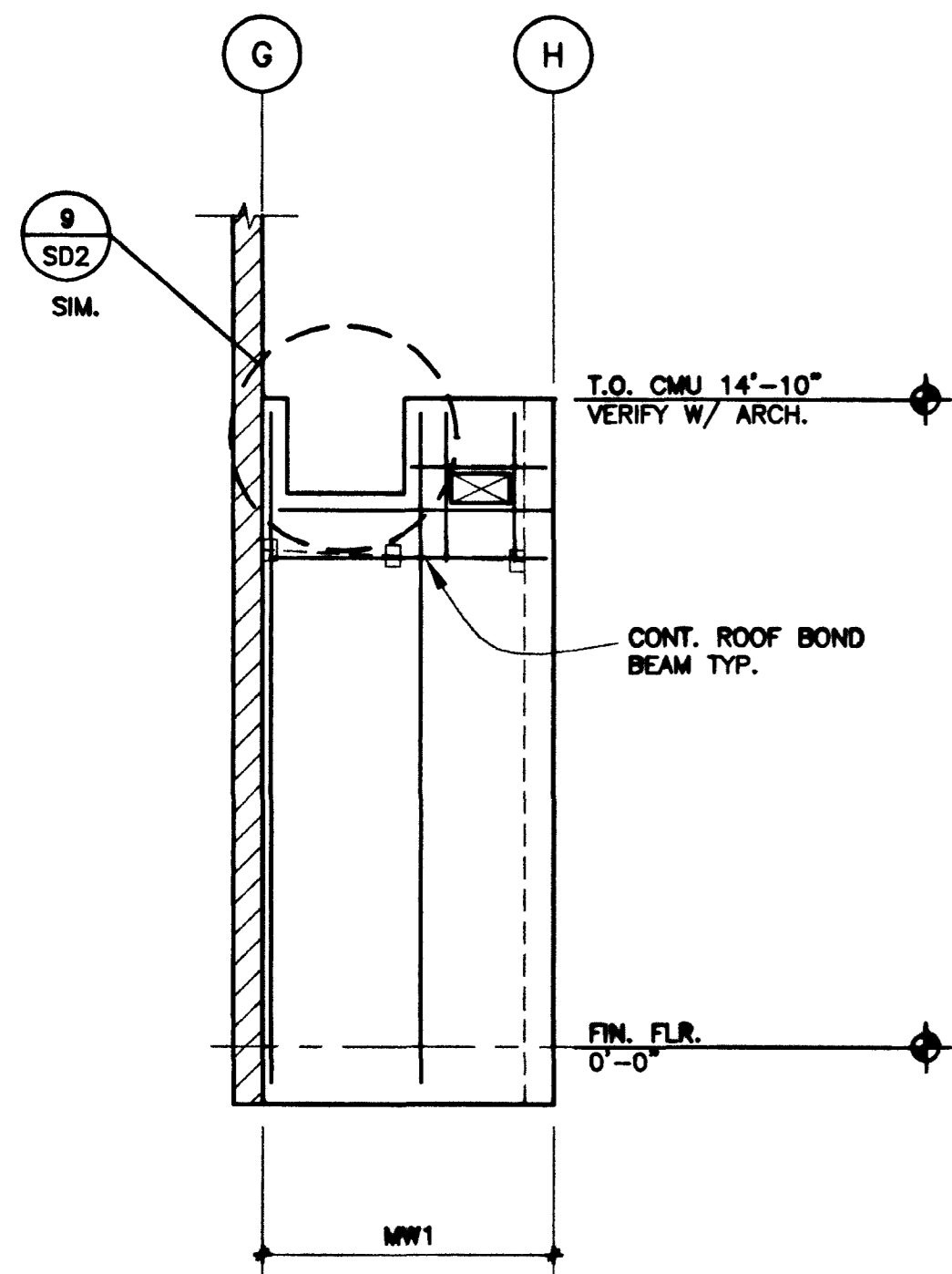
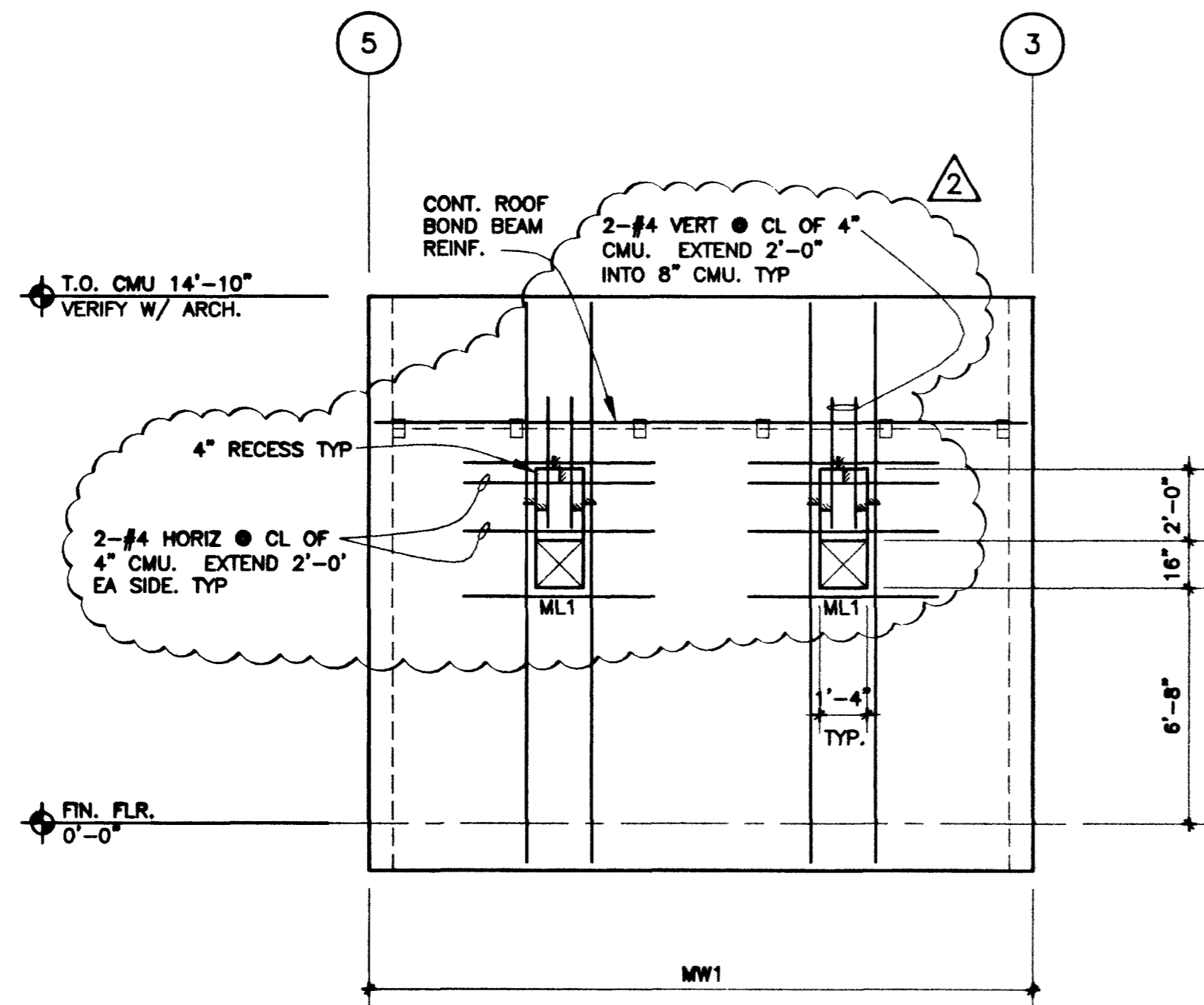


NOTE:
 1. SEE ELEVATION AT GRID LINE 10 AND 11 FOR TYPICAL REINFORCING NOT SHOWN, CALL OUTS AND DETAILS THAT APPLY TO ALL ELEVATIONS.
 2. EB1 AND EB2 NOT SHOWN ON ELEVATIONS FOR DRAWING CLARITY.
 3. SEE PLANS FOR INFORMATION NOT SHOWN.



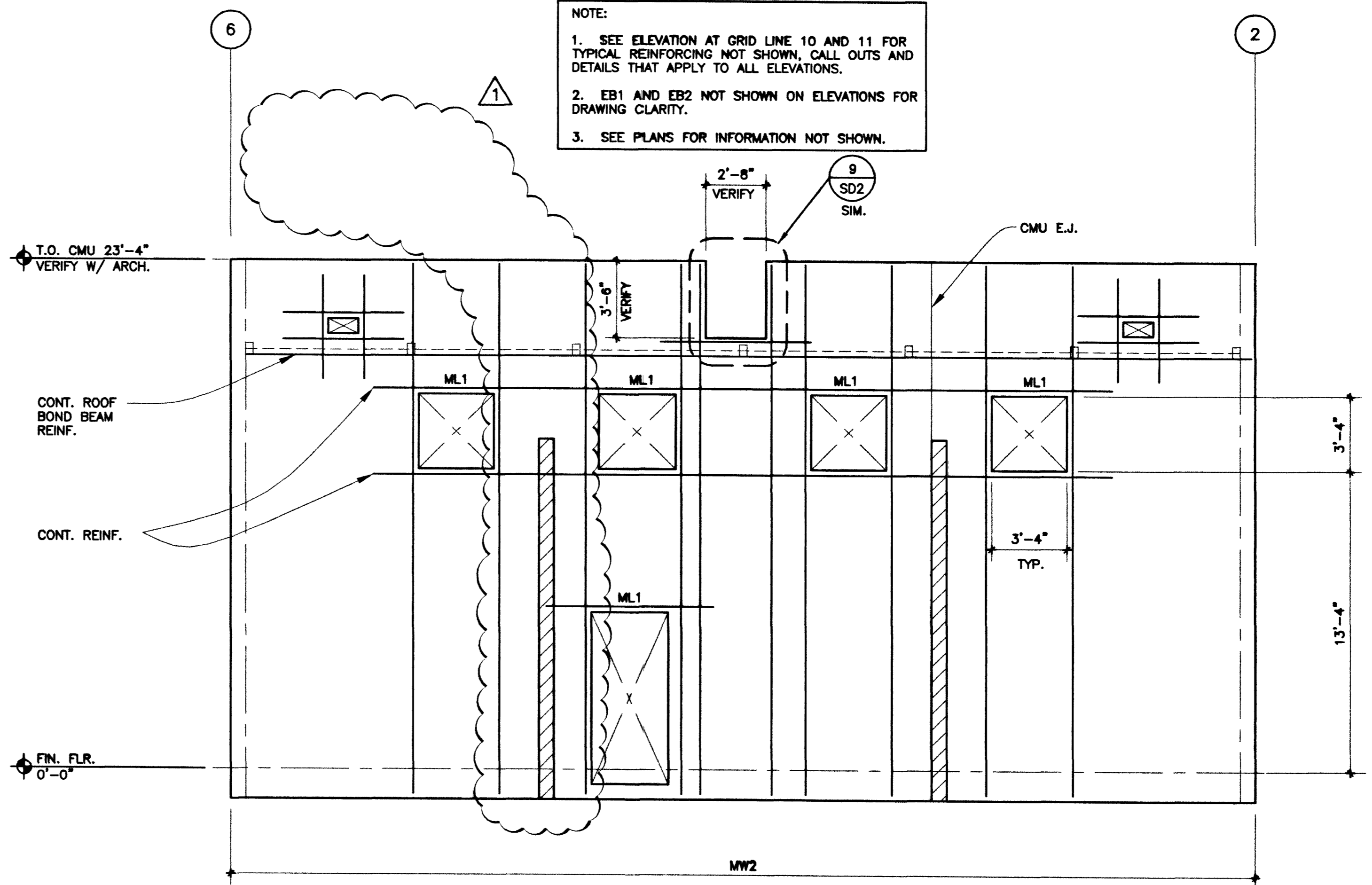
CMU WALL ELEVATION AT GRID LINE 5
 1/4" = 1'-0"

NOTE:
 1. SEE ELEVATION AT GRID LINE 10 AND 11 FOR TYPICAL REINFORCING NOT SHOWN, CALL OUTS AND DETAILS THAT APPLY TO ALL ELEVATIONS.
 2. EB1 AND EB2 NOT SHOWN ON ELEVATIONS FOR DRAWING CLARITY.
 3. SEE PLANS FOR INFORMATION NOT SHOWN.



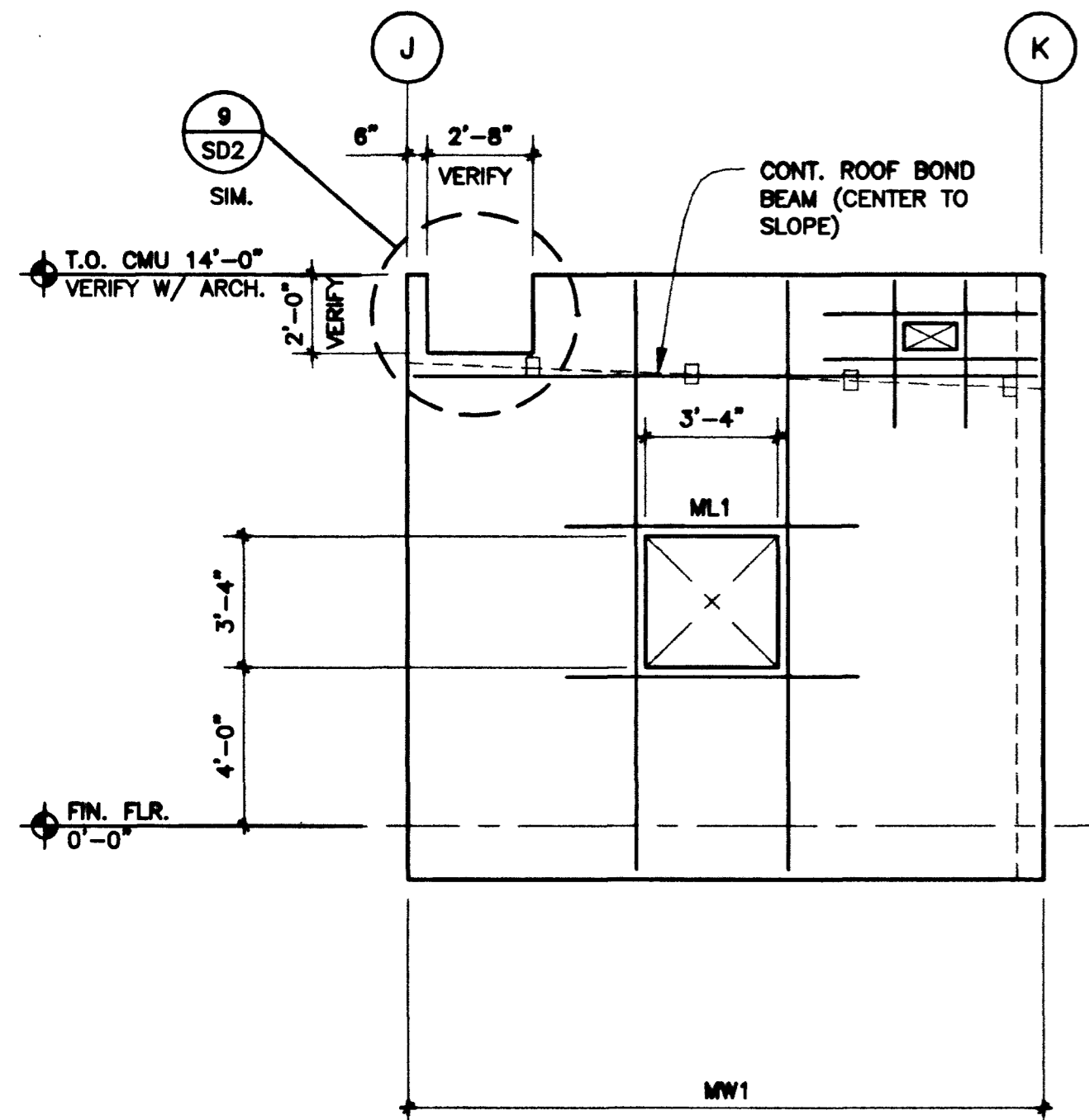
CMU WALL ELEVATION AT GRID LINE H
 1/4" = 1'-0"

NOTE:
 1. SEE ELEVATION AT GRID LINE 10 AND 11 FOR TYPICAL REINFORCING NOT SHOWN, CALL OUTS AND DETAILS THAT APPLY TO ALL ELEVATIONS.
 2. EB1 AND EB2 NOT SHOWN ON ELEVATIONS FOR DRAWING CLARITY.
 3. SEE PLANS FOR INFORMATION NOT SHOWN.



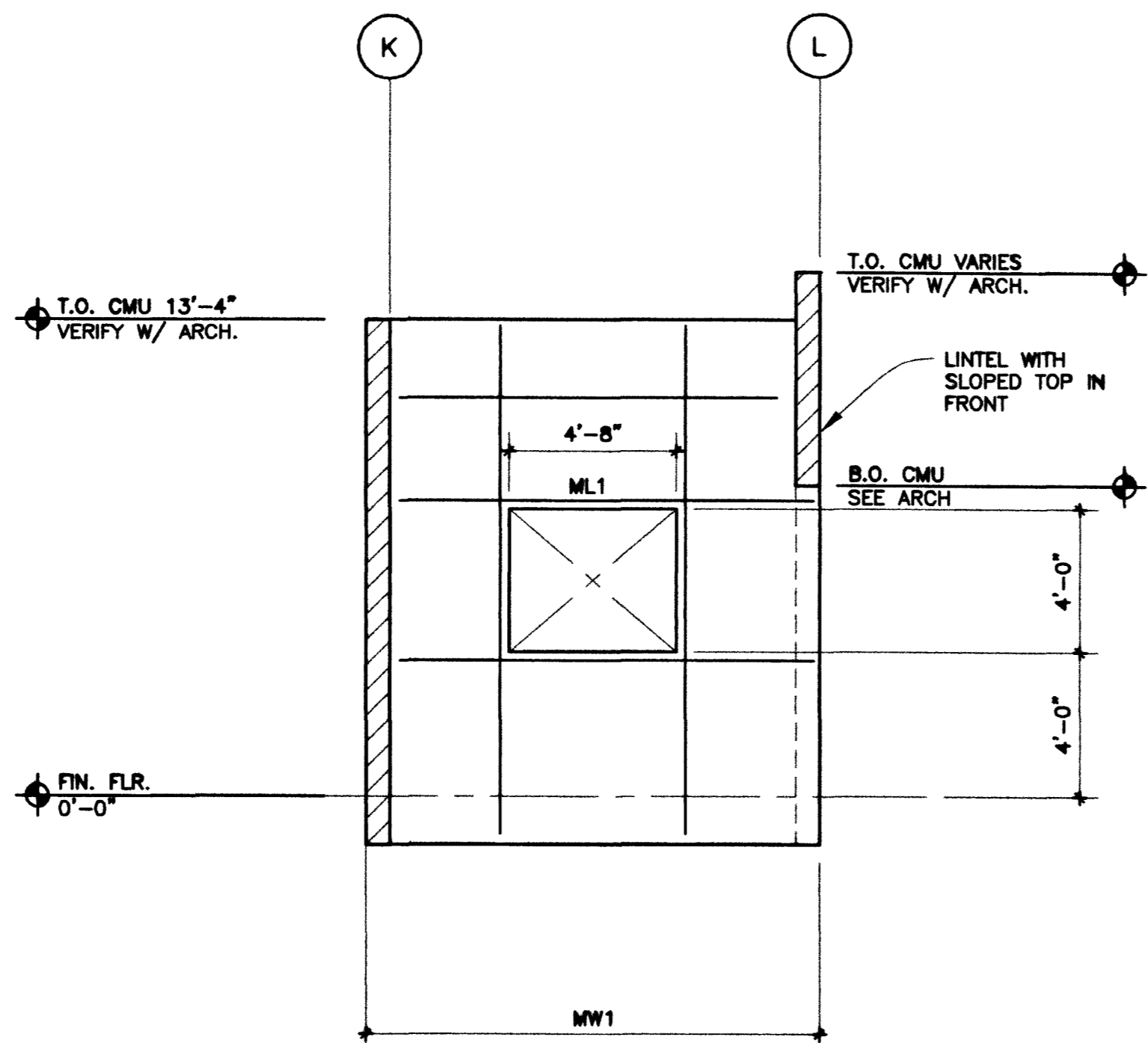
CMU WALL ELEVATION AT GRID LINE G
 1/4" = 1'-0"

NOTE:
 1. SEE ELEVATION AT GRID LINE 10 AND 11 FOR TYPICAL REINFORCING NOT SHOWN, CALL OUTS AND DETAILS THAT APPLY TO ALL ELEVATIONS.
 2. EB1 AND EB2 NOT SHOWN ON ELEVATIONS FOR DRAWING CLARITY.
 3. SEE PLANS FOR INFORMATION NOT SHOWN.



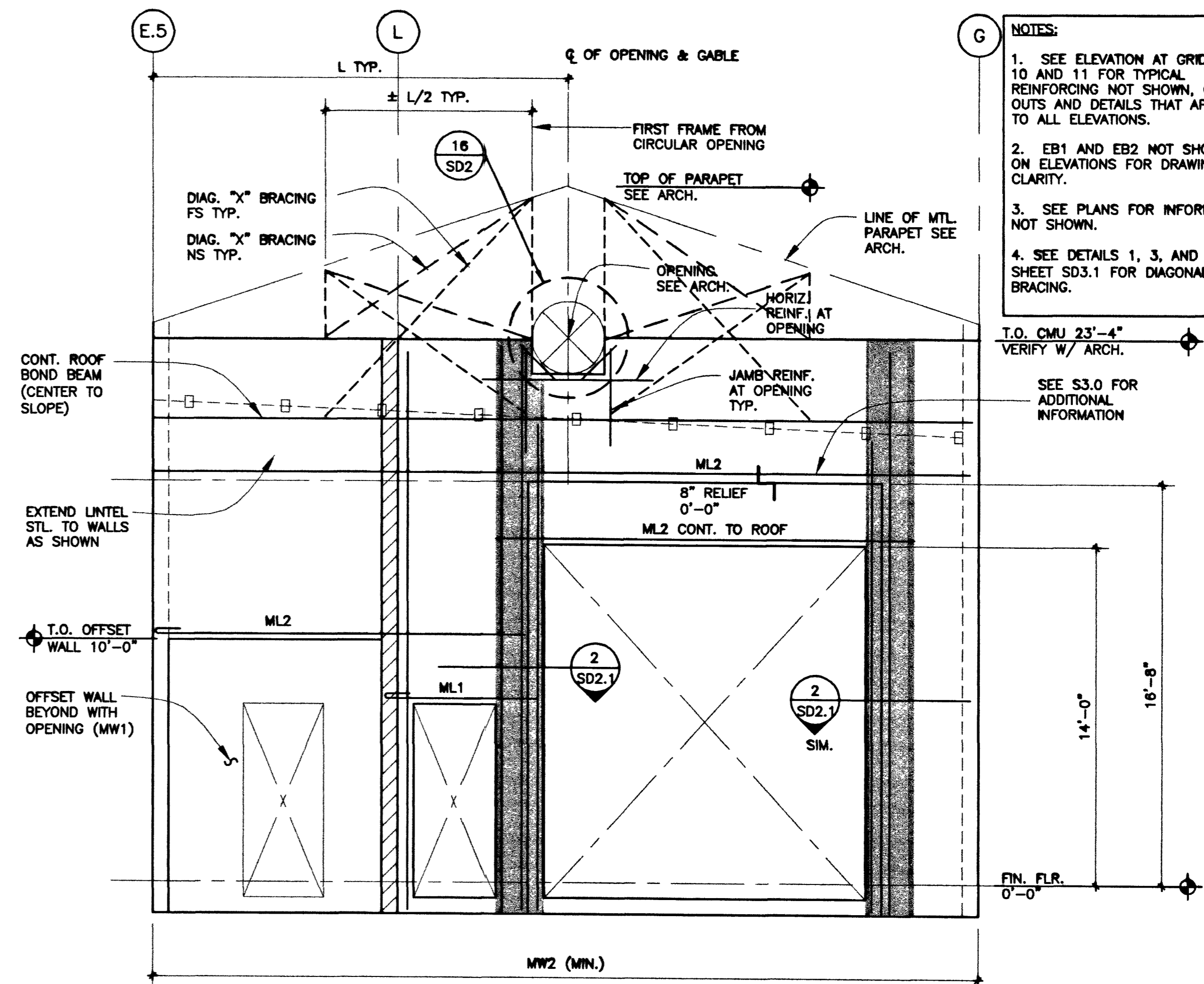
CMU WALL ELEVATION AT GRID LINE 9
 1/4" = 1'-0" S728Z

NOTE:
 1. SEE ELEVATION AT GRID LINE 10 AND 11 FOR TYPICAL REINFORCING NOT SHOWN, CALL OUTS AND DETAILS THAT APPLY TO ALL ELEVATIONS.
 2. EB1 AND EB2 NOT SHOWN ON ELEVATIONS FOR DRAWING CLARITY.
 3. SEE PLANS FOR INFORMATION NOT SHOWN.

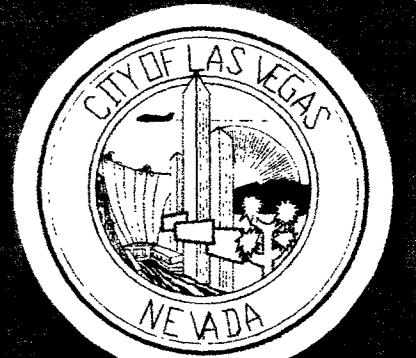


CMU WALL ELEVATION AT GRID LINE 7
 1/4" = 1'-0"

NOTE:
 1. SEE ELEVATION AT GRID LINE 10 AND 11 FOR TYPICAL REINFORCING NOT SHOWN, CALL OUTS AND DETAILS THAT APPLY TO ALL ELEVATIONS.
 2. EB1 AND EB2 NOT SHOWN ON ELEVATIONS FOR DRAWING CLARITY.
 3. SEE PLANS FOR INFORMATION NOT SHOWN.
 4. SEE DETAILS 1, 3, AND 13 SHEET SD3.1 FOR DIAGONAL "X" BRACING.



CMU WALL ELEVATION AT GRID LINE 6
 1/4" = 1'-0"



REVISIONS
 2 10-12-01 SCURPER REVISION
 1 9-8-01 BLDG DEPT RESUBMITTAL

CONSULTANT
DEC
 2800 SO. RANCHO RD.
 LAS VEGAS, NEVADA 89102
 (702) 871-5154

CITY OF LAS VEGAS, NEVADA
 FIRE STATION #44
 CMU WALL ELEVATION

DEPARTMENT OF PUBLIC WORKS
 ARCHITECTURAL SERVICES
 400 EAST STEWART AVENUE
 LAS VEGAS, NEVADA 89101
 PHONE: (702) 225-5338
 FAX: (702) 388-5333
 TDD: (702) 386-9108

DESIGN ENGINEERING CONSULTANTS
 DRAWN: JJB
 DATE: 7/20/06
 SCALE: AS NOTED
 PROJECT SHEET: 60 OF 106

S4.1